

Product Data Sheet



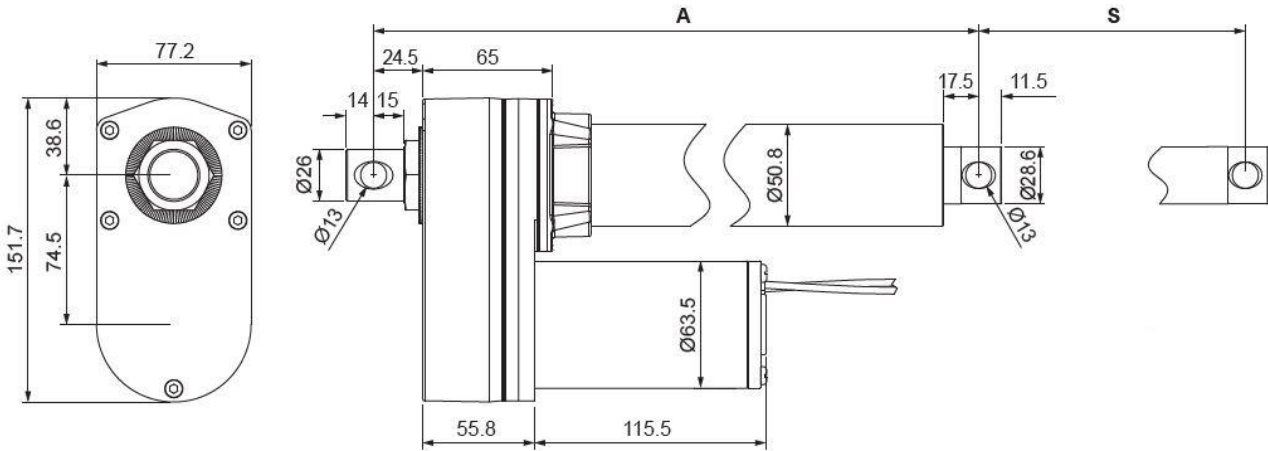
Standard Features:

- All steel frame and extension tube
 - Aluminum gearbox housing
 - Ball screw version has stainless steel extension tube
- Nominal stroke lengths: 4" [102mm], 6" [152mm], 8" [203mm], 12" [305mm], 18" [457mm], 24" [610mm], [other stroke lengths available]
- Input voltage: 12VDC, 24VDC
- Standard gear ratio: 20:1 [other ratios available]
- Rated load range: 337 lbs. [1,500 Newtons] -to- 1,574 lbs. [7,000 Newtons]
- Maximum static load: 1,012 lbs. [4,500 Newtons] (ACME)
3,057 lbs. [13,600 Newtons] (Ball Screw)
- Maximum current draw (at full load): 11.0 -to- 26.4 Amps @ 12 VDC
- Speed at no load: 0.33 in/sec [8.4 mm/sec] -to- 2.64 in/sec [67.1 mm/sec]
- Speed at full load: 0.29 in/sec [7.4 mm/sec] -to- 1.86 in/sec [47.2 mm/sec]
- Overload clutch
- Mounting hole diameter (both ends): 1/2" [13mm]
- Duty cycle: 25% or 2 min continuous operation in 8 min.
- Working temperature: -13F [-25C] +149F [+65C]
- IP rating: IP65

Accessories:

- Mounting brackets
- Direction reversing switches
- Direction reversing relays
- Direction reversing wireless controllers

Dimensions – LACT Series – ACME Screw
Standard (without Limit Switches or Potentiometer)

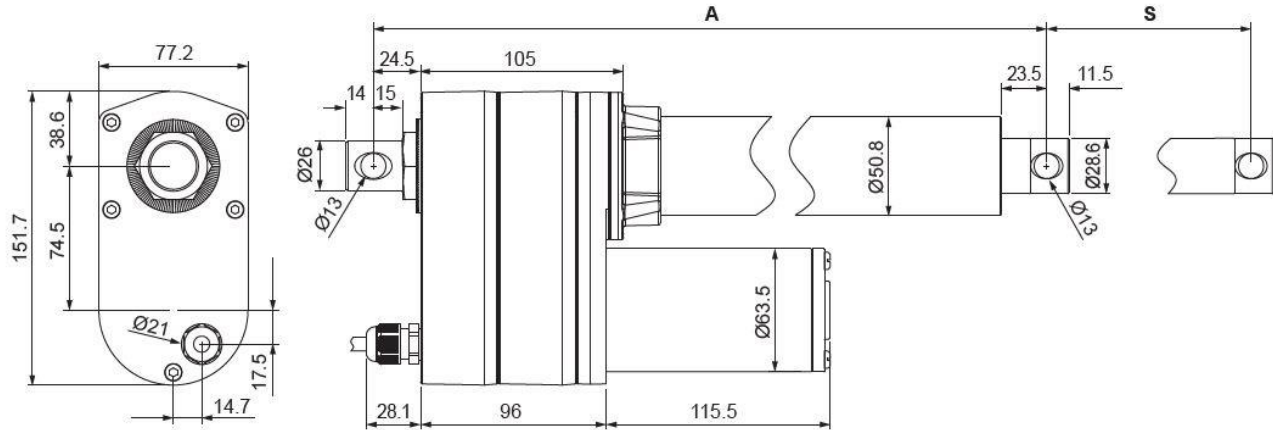


Nominal Stroke	4"		6"		8"		12"		18"		24"	
	in	mm	in	mm	in	mm	in	mm	in	mm	in	mm
Actual Stroke (S)	4.02	102	6.02	153	8.03	204	12.05	306	18.07	459	24.09	612
Retracted Length (A)	10.24	260	12.24	311	14.25	362	18.27	464	27.20	691	33.23	844
Extended Length	14.25	362	18.27	464	22.28	566	30.31	770	45.28	1150	57.32	1456

Stroke: +/- 0.2 in [5mm]

Retracted length: +/- 0.12 in [3mm]

**Dimensions – LACT Series – ACME Screw
With Potentiometer Only**



Nominal Stroke	4"		6"		8"		12"		18"		24"	
	in	mm	in	mm	in	mm	in	mm	in	mm	in	mm
Actual Stroke (S)	4.02	102	6.02	153	8.03	204	12.05	306	18.07	459	24.09	612
Retracted Length (A)	11.81	300	13.82	351	15.83	402	19.84	504	28.78	731	33.23	844
Extended Length	15.83	402	19.84	504	23.86	606	31.89	810	46.85	1190	57.32	1456

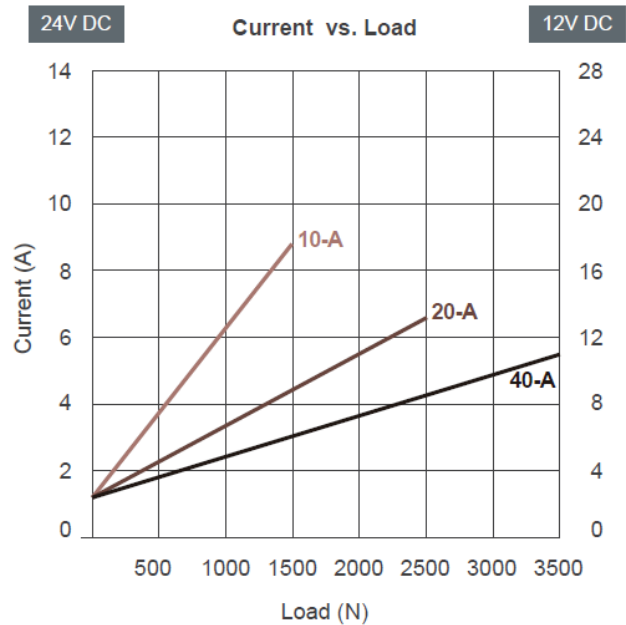
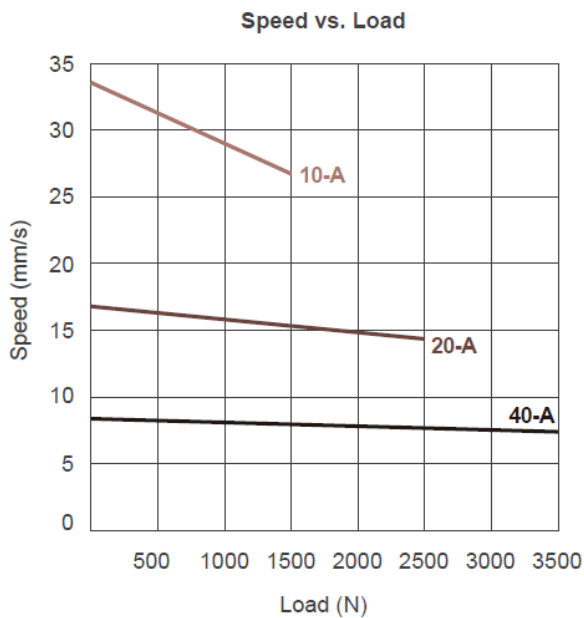
Stroke: +/- 0.2 in [5mm]

Retracted length: +/- 0.12 in [3mm]

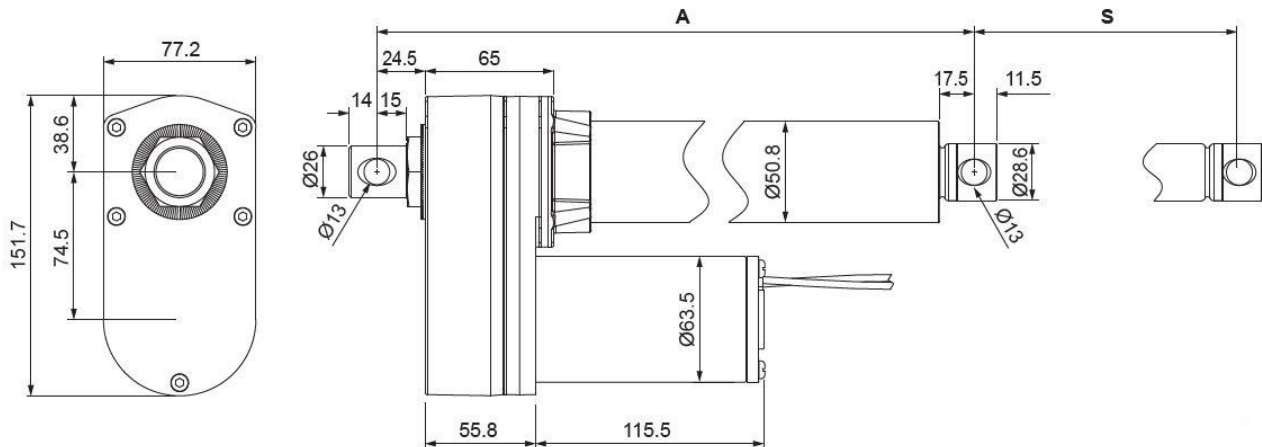
Performance Data – LACT Series – ACME Screw

Gear Ratio	Max Load/Dynamic		Speed/No Load		Speed/Max Load	
	Lbs. [US]	Newtons	inches/sec	mm/sec	inches/sec	mm/sec
10:1	337	1500	1.32	33.5	1.05	26.7
20:1	562	2500	0.66	16.8	0.56	14.3
40:1	787	3500	0.33	8.4	0.29	7.4

Gear Ratio	Typical Current (A)			
	No Load		Full Load	
	12 VDC	24 VDC	12 VDC	24 VDC
10:1	2.4	1.2	17.6	8.8
20:1	2.4	1.2	13.2	6.6
40:1	2.4	1.2	11.0	5.5



**Dimensions – LACT Series – Ball Screw
Standard (without Limit Switches or Potentiometer)**



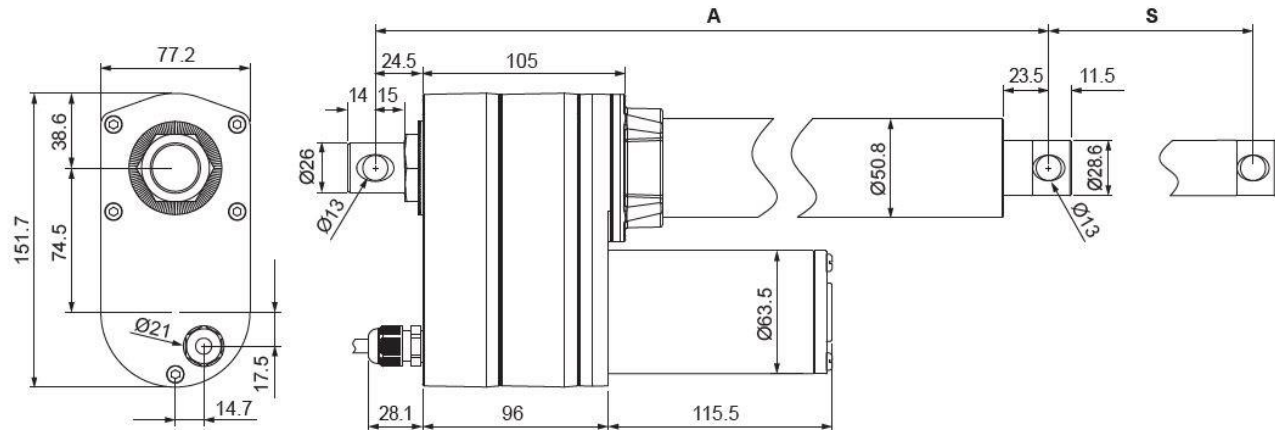
Nominal Stroke	4"		6"		8"		12"		18"		24"	
	in	mm	in	mm	in	mm	in	mm	in	mm	in	mm
Actual Stroke (S)	3.31	84	5.31	135	7.32	186	11.34	288	17.99	457	24.02	610
Retracted Length (A)	12.05	306	14.06	357	16.06	408	20.08	510	29.02	737	35.04	890
Extended Length	15.35	390	19.37	492	23.39	594	31.42	798	47.01	1194	59.06	1500

Stroke: +/- 0.2 in [5mm]

Retracted length: +/- 0.12 in [3mm]

Dimensions – LACT Series – Ball Screw

With Only Limit Switches or Limit Switches and Potentiometer



Nominal Stroke	4"		6"		8"		12"		18"		24"	
	in	mm	in	mm	in	mm	in	mm	in	mm	in	mm
Actual Stroke (S)	2.80	71	4.80	122	6.81	173	10.83	275	17.56	446	23.58	599
Retracted Length (A)	13.86	352	15.87	403	17.87	454	21.89	556	30.83	783	36.85	936
Extended Length	16.65	423	20.67	525	24.69	627	32.72	831	48.39	1229	60.43	1535

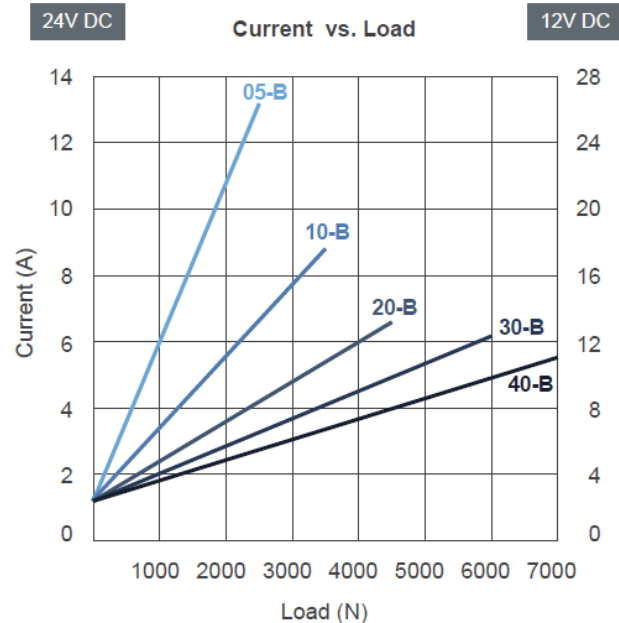
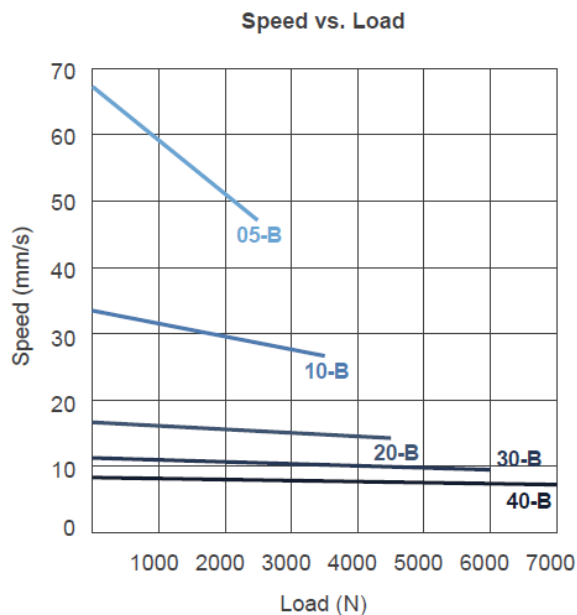
Stroke: +/- 0.2 in [5mm]

Retracted length: +/- 0.12 in [3mm]

Performance Data – LACT Series – Ball Screw

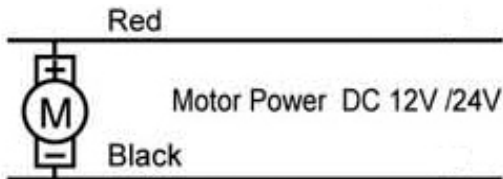
Gear Ratio	Max Load/Dynamic		Speed/No Load		Speed/Max Load	
	Lbs. [US]	Newtons	inches/sec	mm/sec	inches/sec	mm/sec
5:1	562	2500	2.64	67.1	1.86	47.2
10:1	787	3500	1.32	33.5	1.05	26.7
20:1	1012	4500	0.66	16.8	0.56	14.3
30:1	1349	6000	0.44	11.2	0.39	9.8
40:1	1574	7000	0.33	8.4	0.29	7.4

Gear Ratio	Typical Current (A)			
	No Load		Full Load	
	12 VDC	24 VDC	12 VDC	24 VDC
5:1	2.4	1.2	26.4	13.2
10:1	2.4	1.2	17.6	8.8
20:1	2.4	1.2	13.2	6.6
30:1	2.4	1.2	12.1	6.1
40:1	2.4	1.2	11.0	5.5



Electrical

Standard



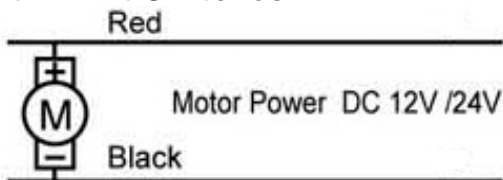
Gear Ratio: 5:1, 10:1, 20:1

Red + // Black - : Extend
Red - // Black + : Retract

Gear Ratio: 30:1, 40:1

Red + // Black - : Retract
Red - // Black + : Extend

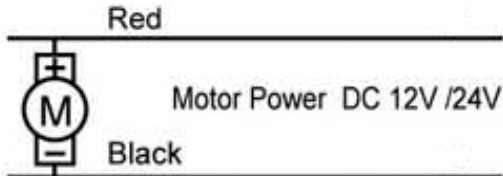
With Limit Switches



Gear Ratio: 5:1, 10:1, 20:1, 30:1, 40:1

Red + // Black - : Extend
Red - // Black + : Retract

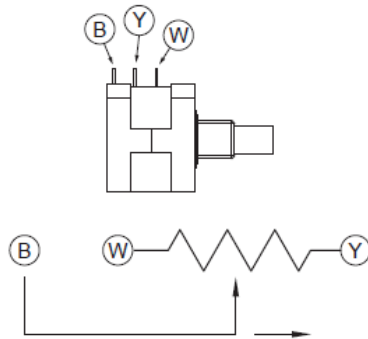
With Potentiometer (or Limit Switches and Potentiometer)



Gear Ratio: 5:1, 10:1, 20:1, 30:1, 40:1

Red + // Black - : Extend
Red - // Black + : Retract

Potentiometer

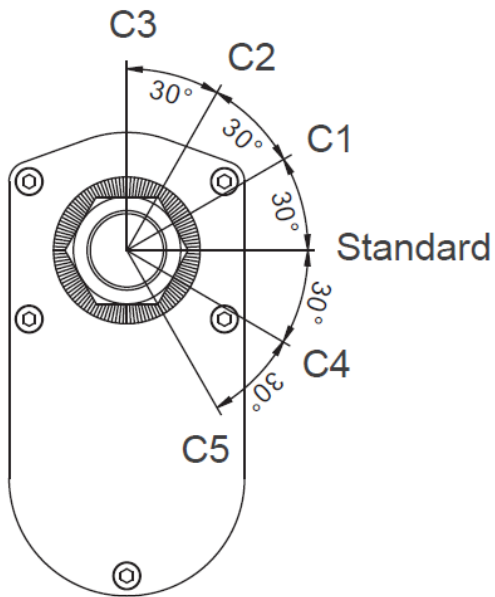


Actuator extending

Value of POT	
The Ohm value between the blue and white wires	
Nominal Stroke (in / mm)	Resistance
3.94 / 100	0.3 – 8.1 K
5.91 / 150	0.3 – 8.7 K
7.87 / 200	0.3 – 9.2 K
11.81 / 300	0.3 – 8.8 K
17.99 / 457	0.3 – 9.4 K
24.02 / 610	0.3 – 9.8 K
Tolerance: +/- 0.3K	
Values in this table are an approximation. Actual values will vary due to actuator configuration and construction.	

Wiring	
Red	M +
Black	M -
White	GND
Yellow	VCC
Blue	Data

Base Stud Mount Hole Orientation



Ordering Key

LACT - -

Stroke (nominal)

- 4 : 4" [102mm]
- 6 : 6" [153mm]
- 8 : 8" [203mm]
- 12 : 12" [305mm]
- 18 : 18" [457mm]
- 24 : 24" [610mm]

Additional stroke lengths available

Drive Type

- 500A** : AMCE Screw (562 lbs. @ 20:1)
- 1000B** : Ball Screw (1012 lbs. @ 20:1)

Potentiometer

- P**: Has a potentiometer
- <Blank>: If no potentiometer

Limit Switches

- L**: Has limit switches
- <Blank>: If no limit switches

Options

Gear Ratio	12 VDC	24 VDC
5:1	C	G
10:1	D	H
20:1	<Blank>	I
30:1	E	J
40:1	F	K

- Gear Ratios: 5:1 & 30:1 available in Ball Screw only
- Not all gear ratios and voltage combinations stocked
- 48 VDC available by special request

Terms of Use

The user is responsible for determining the suitability of Concentric International products for specific applications. Due to continuous development in order to improve its products, Concentric International products are subject to change without prior notice. Concentric International reserves the right to discontinue the sale of any products at any time.