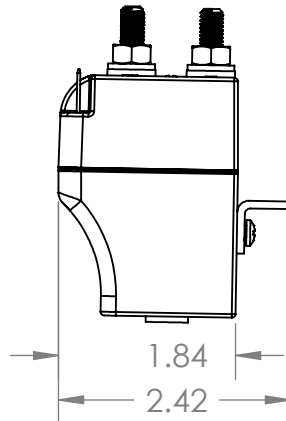
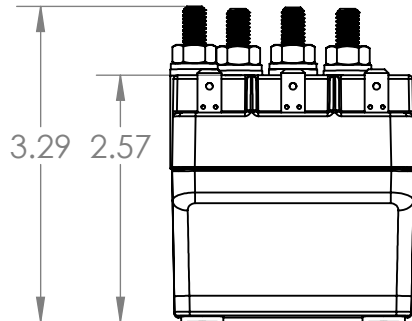
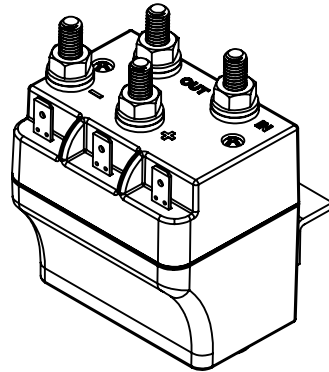
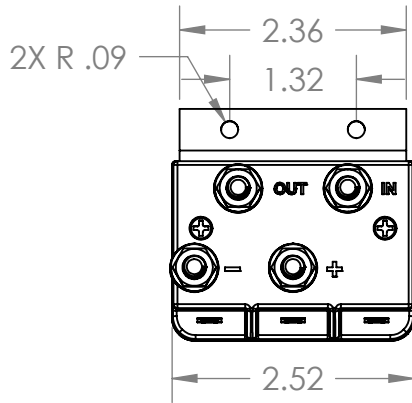


Relay 100 Specifications

Contact Type	DPDT
Maximum Current	100A
Inrush Current	200A
Maximum Switching Voltage	24V
Life Cycle	10,000 Cycles (at 12VDC)
Duty Cycle Percentage	25%
Maximum On Time	15 Minutes
Thermal Operation	145°C
Pull in Voltage	10.3V
Drop out Voltage	6.0V
Coil Resistance	7.1Ω -8.9Ω (before use)
Contact Material Type	Silver Alloy
Maximum Operation Time	10ms or less at rated voltage
Release Time	10ms or less at rated voltage
Min. Operating Voltage and Current	10.3V 5A



PROPRIETARY AND CONFIDENTIAL

THE INFORMATION CONTAINED IN THIS DRAWING IS THE SOLE PROPERTY OF IOWA EXPORT-IMPORT. ANY REPRODUCTION IN PART OR AS A WHOLE WITHOUT THE WRITTEN PERMISSION OF IOWA EXPORT-IMPORT IS PROHIBITED.

Global Solutions

IOWA Export-Import
512 Tuttle Street
Des Moines, Iowa 50309-4618

<p>Units</p> <p>Tolerances</p> <p>Materials</p> <p>Finish</p> <p>Scale</p> <p>Revision</p> <p>Comments:</p>				Inch	<p>Part Name</p> <p>12 VDC 100 Amp Reversing Relay</p> <p>Part No.</p> <p>RELAY-100-12V</p>
				1:2	
				A	
Revision	Date	Drawn By	Description		
A	11/24/2010	KO			
B					
C					
D					