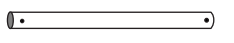
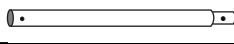
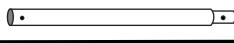
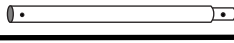
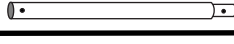
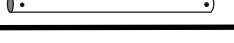
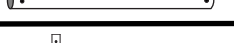




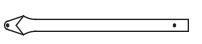



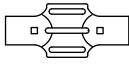


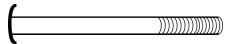







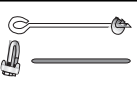



# 22x24x12 Peak Style Run-in Shed Model # 58542

Please read instructions completely before assembly

	Description	Part #	Qty.
	Cross Rail Plain Ends 45"L	11105	10
	Extension 59.4"L	11068	24
	Straight Leg Tube 38"L	11019	8
	Cross Rail Swedged 50 1/2"L	11102	11
	Cross Rail Swedged 48 1/2"L	11103	1
	Cross Rail Plain End 46.6"L	11101	1
	Cross Rail Plain End 48.5"L	11104	2
	Corner Upright Leg	11016	4
	Side Bend Tube	11013	12
	End Top Bend	11136	2
	Middle Top Bend	11135	4
	Wind Brace 30"L	11095	4
	Wind Brace 54.2"L	11093	4
	All-Weather Cover	1A7134	1
	Protective Boot	800196	4
	4-Way Cover Rail Clamp	11107	16
	3-Way Cover Rail Clamp	11106	8
	Bolt Cap	11150	24
	5/16"x 4" Round Head Bolt	11133	4
	5/16"x 4" Bolt	11132	8
	5/16"x 4 1/2" Bolt	11134	4
	5/16"x 2 3/4" Bolt	11131	60
	5/16"x 2 1/4" Bolt	11130	20
	5/16"x 2" Bolt	648	6
	5/16" Nuts	690	102
	Ratchet	10040	4
	Temporary 30" Auger Anchors Cable - 1' Lengths Cable Clamps	822	6
	Base Feet	11270	8

## BASIC HAND TOOLS REQUIRED FOR ASSEMBLY:

- Adjustable Wrench
- Rubber Mallet

**ATTENTION:**  
**BOLTS ARE NOT  
 NEEDED OR  
 INCLUDED FOR EVERY  
 CONNECTION BUT  
 MAY BE  
 PURCHASED BY CALLING  
 THE NUMBER BELOW.  
 FOR MISSING OR  
 REPLACEMENT PARTS  
 OR QUESTIONS  
 PLEASE CONTACT**

**CUSTOMER SERVICE:  
 1.800.524.9970**



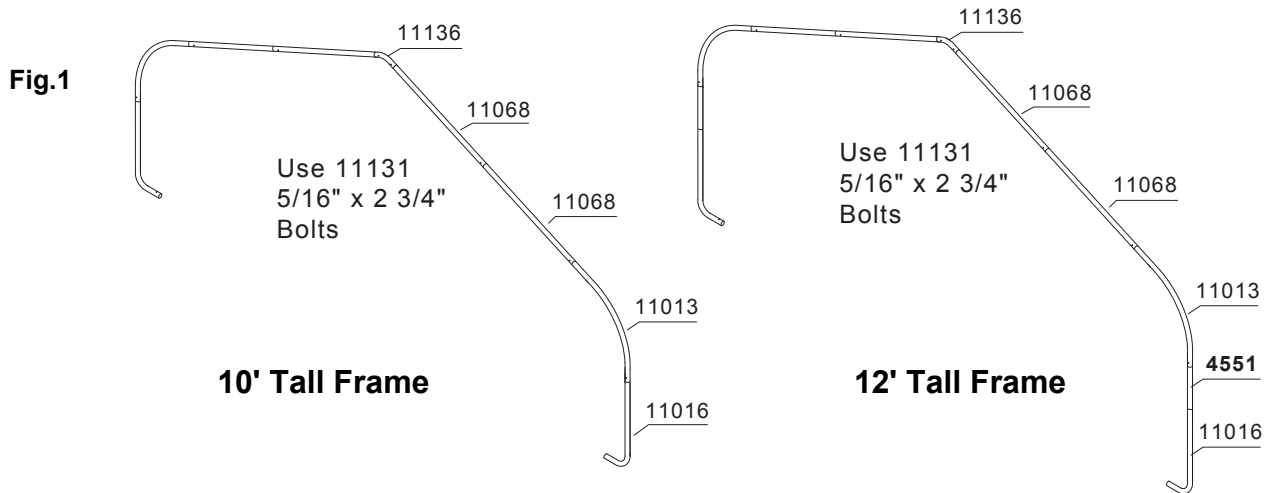
**150 Callendar Road  
 Watertown, CT 06795**

# Basic Frame Assembly

## STEP 1

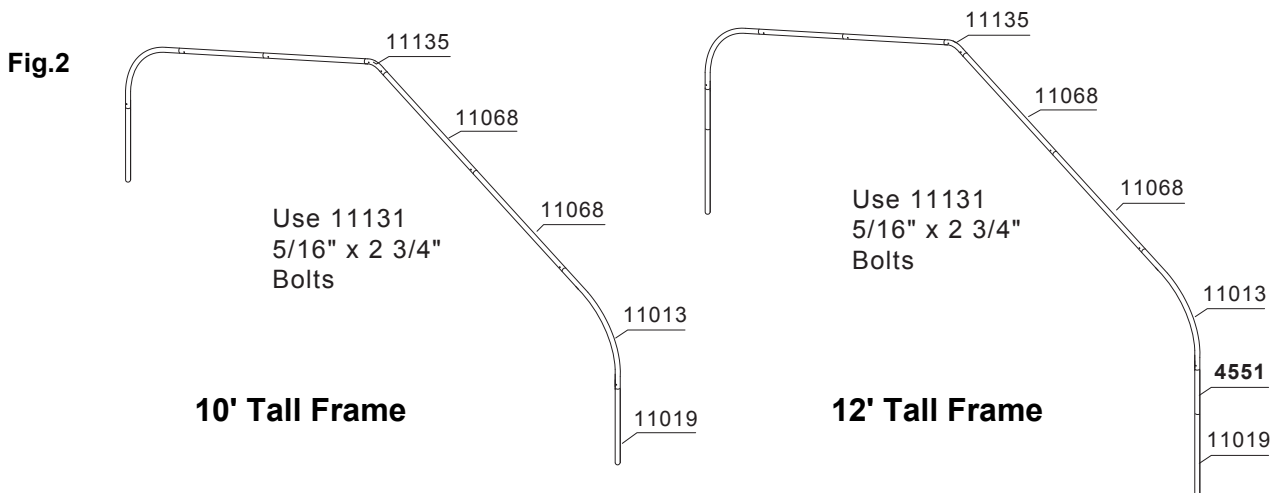
Fit together an end rib using the following parts, (1) #11136 3-Way Top Connector, (4) #11068 Swedged Rafter Pole, (2) #11013 Side Bend Tube and (2) #11016 Bend Corner Leg. Using (8) 11131 5/16 X 2 3/4" bolts and (8) 690 5/16" nuts securely fasten the joints of all parts. Lay this rib on the ground at the rear of your shelters designated location. For a 12' tall building be sure to include the two foot extension pipe (4551).

**NOTE: Be sure that all of the heads of the bolts are facing toward the outside of the rib.**



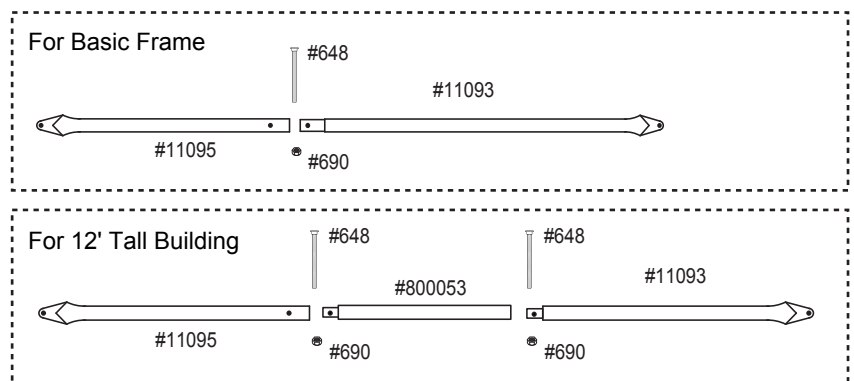
## STEP 2

Fit together the first middle rib using the following parts, (1) #11135 Top Bend Tube, (4) #11068 Swedged Rafter Pole, (2) #11013 Side Bend Tube and (2) #11019 Swedged Upright Tube. Using (8) #11131 5/16 X 2 3/4" bolts and (8) #690 5/16" nuts. Securely fasten the joints of all parts. Lay this rib on the ground near the first end rib. For a 12' tall building be sure to include the two foot extension pipe (4551).



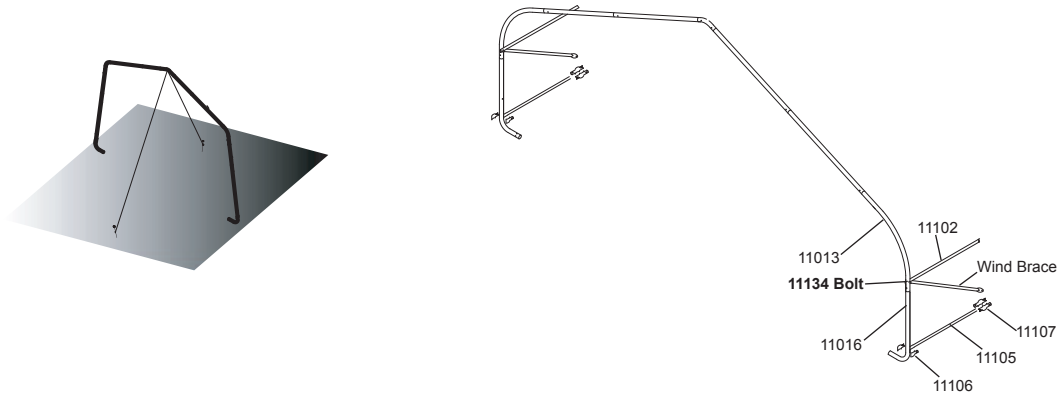
## STEP 3

Assemble the wind braces as shown in the illustrations.



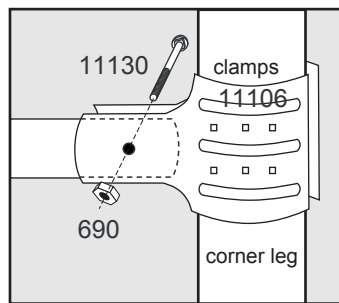
## STEP 4

With help stand the first end rib vertically and lean against a permanent structure such as a tree or a fence. Attach the plain end of a #11102 horizontal tube and a wind brace assembly to the first rib using a #11134 5/16 X 4 1/2" bolt and a #690 5/16" nut on the INSIDE of the bow, on each side bend just above the joint of the side bend/extension. Repeat the same steps on opposite side.



## STEP 5

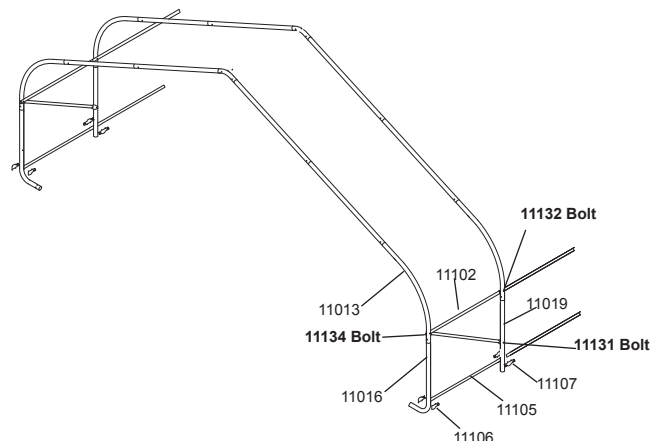
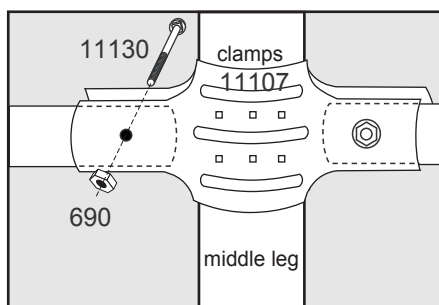
Place (2) #11106 3-Way Clamps around #11016 Bent Leg. Insert #11105 Cover Rail into the clamp and attach using a #648 5/16 X 2" bolt and #690 5/16" nut. Position the clamp about five inches above the ground and tighten the nut and bolt finger tight. Repeat the same steps on opposite side.



## STEP 6

With help position the first middle rib about four feet from the first end rib. While one person holds the middle rib vertical the other person should raise the previously installed #11102 cross rail and place another #11102 over each of the previous. Raise the two rails so they are horizontal and attach to the middle cross rail using a #11132 5/16 X 4" bolt and a #690 5/16" nut. Attach a #11107 4-Way Clamp to the end of the (2) cover rail tubes using a #648 5/16 X 2" bolt and a #690 5/16" nut. Place the clamp around the middle leg and insert a #11105 cover rail into the opposite side of the clamp and attach with a #648 5/16 X 2" bolt and a #690 5/16" nut. Position the clamp about five inches above the ground and tighten finger tight. Raise the cross brace to the middle rib and attach it to the rib using a #11131 5/16 X 2 3/4" bolt and a #690 5/16" nut. Repeat these steps for the opposite side.

Repeat the cross rail installation for the remaining middle legs.



## STEP 7

Install the other end rib as you had installed all the middle ribs only use #11104 crossrails and attach the sliding crossrail using the remaining 3-way coverrail clamps.

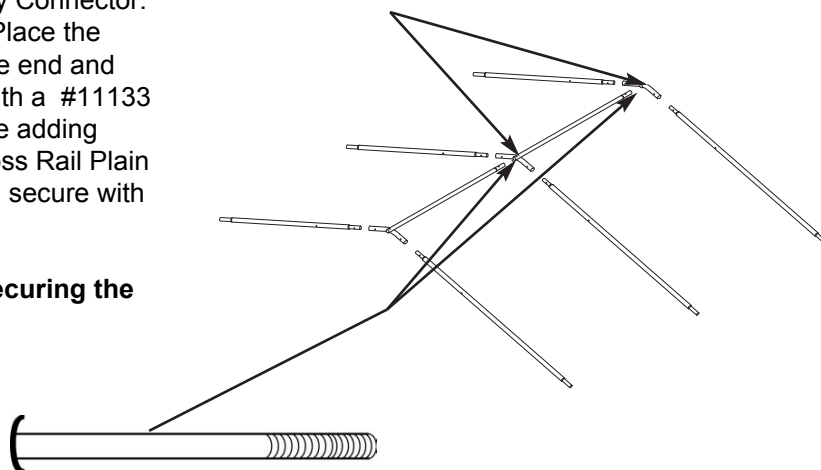
**Note: The final windbrace assemblies should be installed as shown. Be sure the upper of the windbraces are installed between the rib and crossrail**

## Step 8 Installing Top Rail

Install the top cross rail assembly starting with #11103 Cross Rail Swedged 48 1/2"L inserted into the End 2-Way Connector. Secure with a #648 5/16 X 2" bolt and #690 nut. Place the plain end of a #11103 Cross Rail Swedged over the end and put the joint on the top of the middle rib. Secure with a #11133 5/16 X 4" Round Head Bolt and #690 Nut. Continue adding #11102 Cross Rails and finish with the #11101 Cross Rail Plain End inserted into the last end 3-way connector and secure with a #648 5/16 X 2" bolt and #690 nut.

**NOTE: Use the special Round Head Bolts for securing the top rail to the middle ribs only!!!**

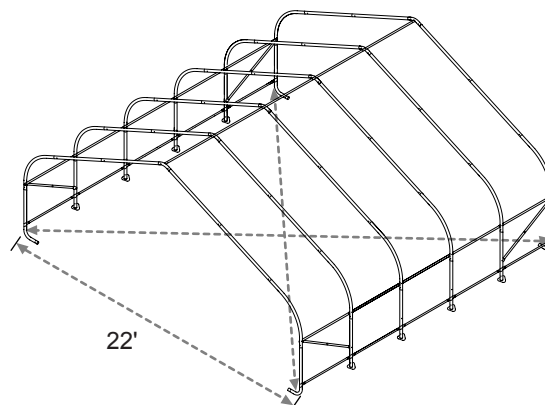
Install the Top Rail  
Over all Middle Ribs



## Step 9 SQUARING THE SHELTER

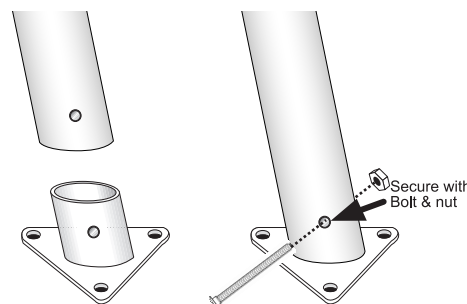
Check that the shelter's width is correct from the outside to outside of the uprights at ground level. Check also that the shelter is square by measuring diagonally from corner to corner at ground level.

**The two measurements must be within 2 inches of each other.**



## STEP 10 ATTACHING & SECURING BASE FEET

Depending on the model you have purchased, your base feet will either fit onto the outside of the leg poles, or slide inside the leg poles. After installing Base Feet Plates onto bottom of Middle leg Poles, be sure to line up the pre-drilled hole in the leg with the pre-drilled hole in the base foot. Insert 5/16" x 2 3/4" bolts all the way through leg and foot, to other side, secure with nuts.

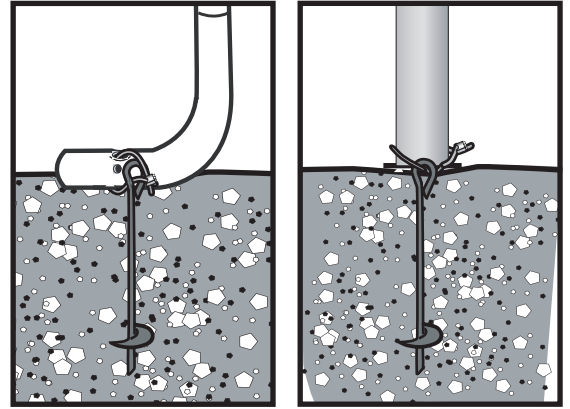


## STEP 11 INSTALLING AUGER ANCHORS

Using a 3/4" pipe or steel rod, (a car tire iron works also) placed through the eyelet on the auger, screw it into the ground. Start at the four corners of the unit and space the remainder out evenly. Be sure to screw the anchor in fully (the eyelet should be a level where it can be securely attached to the frame). Wrap the cable provided through the eyelet of the anchor and around the frame. Secure the cable with the clamp(s) provided.

### WARNING:

**DO NOT INSTALL THE END PANELS OR COVER ON THE SHELTER UNTIL IT HAS BEEN PROPERLY ANCHORED.**



## STEP 12 SECURING YOUR COVER:

Pull the cover over the frame. The welded in webbing should be at the front and back of the building. Also note that the pocket with cutouts, running along the sides of the cover should be on the inside and near the ground. Insert the "S" hook from the ratchets into the hole in the leg of the frame. Next, insert the webbing into the spindle of the ratchet and tighten ratchet until the webbing overlaps itself, do not tighten all the way yet. Check to be sure the cover still has an even overhang on the front and rear, adjust as necessary. Once the cover is even, finish tightening the ratchets, alternating from corner to corner to ensure the cover stays even.

After the cover is tight end to end, remove the cross rails and connectors on one side of the frame and place them into the pockets between the cutouts. Attach the crossrails using the 3-way and 4-way cover rail clamps around the uprights and loosely fasten with the 1/4" x 1 5/8" bolts and 1/4" nuts. Check that the rails are evenly spaced above the ground on both sides. Push down on the connectors one at a time to tension the cover and tighten the bolts to hold tightly.

### Warning:

**Do not leave a partially or fully covered unit without being fully anchored. Serious injury to persons or property could result.**

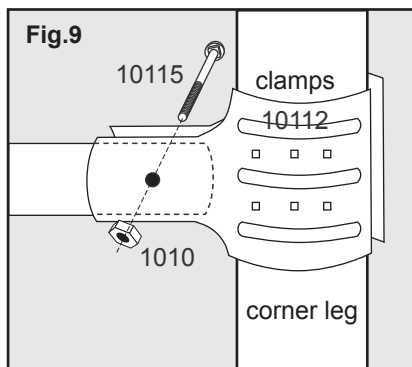
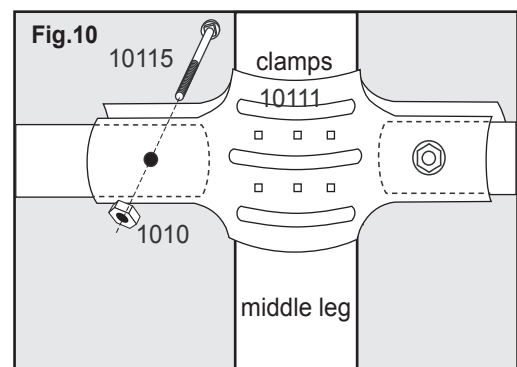


Fig. 8



### Outside Corner View



Fig. 12

*\* The ratchets should be checked monthly to make sure the cover is tight.*

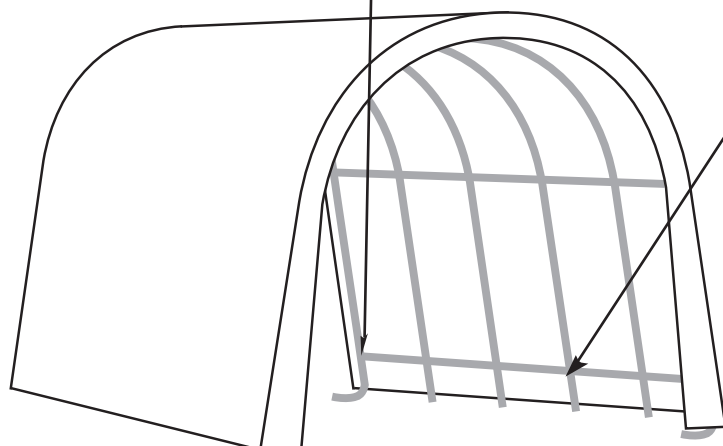
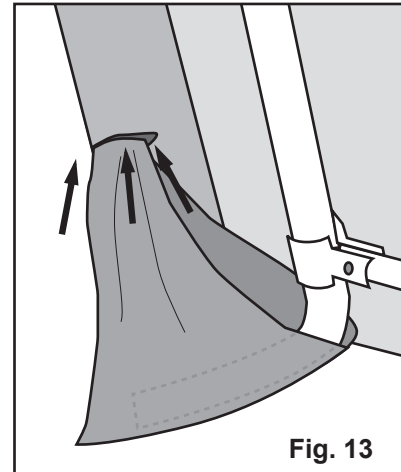


Fig. 11

## STEP 8

Find the open side of the protective boot and open it.  
Insert the foot of the corner leg into the protective boot.  
When the foot is all the way in the boot insert the top edge of the boot into the hem of the cover (Fig 13).  
When complete secure the Velcro on the open side of the boot to close the boot.



## **WARNINGS, CAUTIONS, CARE & CLEANING**

### ***Warning!***

Prior to installation, check all local and municipal laws regarding these shelters.  
Choose your shelter's location carefully.  
Check for overhead utility lines, branches, etc.  
Do NOT install near roofs or other structures that may shed snow or ice onto shelter.  
Do NOT hang objects from the roof structure or cables.  
Do NOT smoke or use open flame devices near the shelter.  
Do NOT store flammable liquids (eg. Gasoline, Kerosene, etc.) in your shelter.  
Do NOT expose top or sides to open fire or flame.  
Do NOT use barbeque grills, fire pits, deep fryers or smokers inside this shelter.  
Be sure to remove any accumulated snow from roof. Care should be used when removing snow to prevent punctures being made in the cover with rakes, shovels, etc.

### ***Caution!***

This shelter is intended to protect against the effects of sun, rain, tree sap, bird droppings, light snow, etc.  
It is not designed to hold the loads that can accompany heavy wind, deep snow or ice storms.  
Proper anchoring is the responsibility of the user.  
Please read and understand all warnings prior to permanent installation.  
Any canopy that is not anchored securely or properly will fly away. We will not be responsible for any canopy that blows away.  
Proper anchoring is your responsibility.  
Your shed's cover can be quickly removed if needed when you know that a strong or severe weather front is approaching.

### ***Care & Cleaning***

During the first few months of use, it will be necessary to tighten the cover a few times.  
Be sure that the cover is kept tight, loose fabric will deteriorate quickly.  
Do NOT apply any "Protect & Shine" type products to the cover and ends or use any harsh or abrasive cleaners. The cover may be cleaned with mild soap and water.



**150 Callender Road  
Watertown, CT 06795**

**For Replacement Parts or Help with assembly, Please call:**

**Customer Service:**

**1-800-524-9970**

**8am-7pm**

**Mon-Sat EST**