

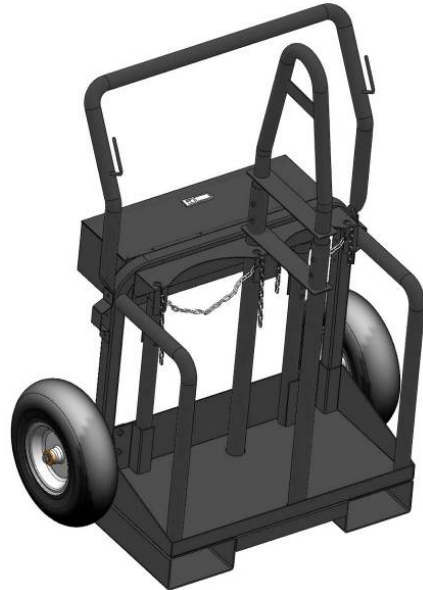
*Please read and save these instructions. Read through this owner's manual carefully before using product. Protect yourself and others by observing all safety information, warnings, and cautions. Failure to comply with instructions could result in personal injury and/or damage to product or property. Please retain instructions for future reference.*

## HD Cylinder Cart

### Description

HD cylinder cart is designed to hold oxygen cylinders up to 9 ½" and acetylene cylinders up to 12 ½". Chains come standard and there are loops to anchor straps also. The tool box is 24" X 8" X 6" and comes with a lock for security. The hangers on the handle make it easy to keep your gas hose secure. The cart and cylinders can easily be moved in three different methods:

- A. By hand, rolling around on the wheels using the robust handle and 15" flat free tires.
- B. By crane using the eyehook between the cylinders to lift the cylinders and cart.
- C. By fork truck using the slots on the bottom.



### Specifications

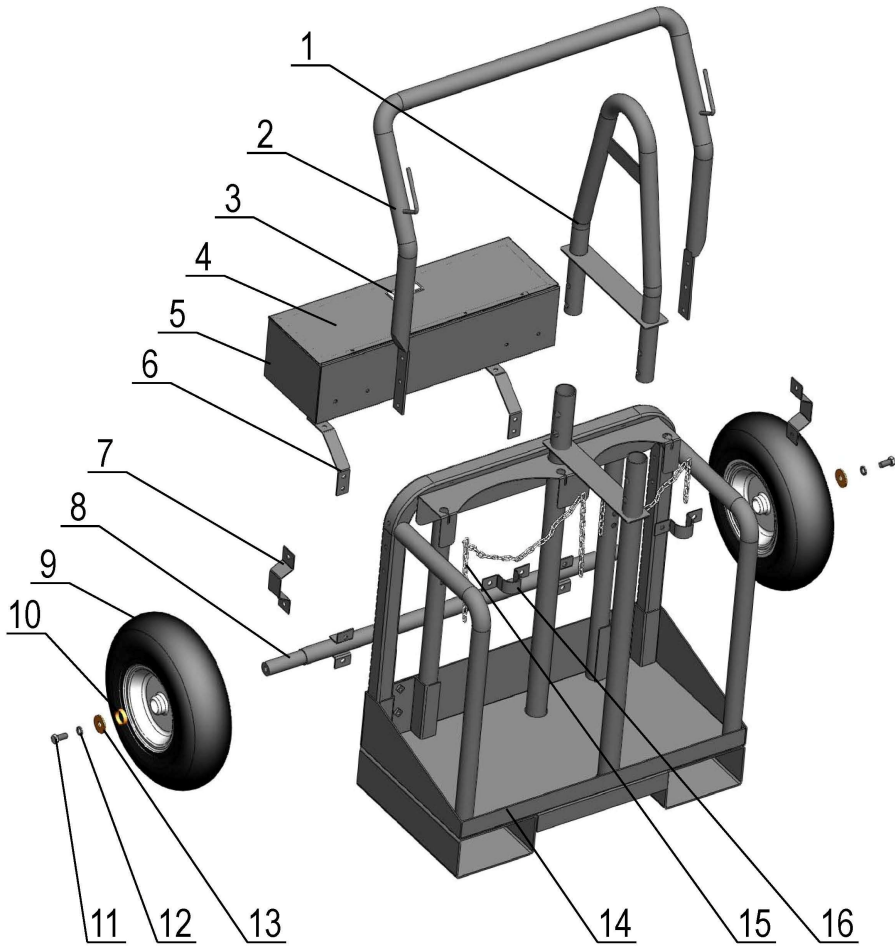
| Item                           | Specification      |
|--------------------------------|--------------------|
| Packing Dimension (LXWXH) inch | 39.4 X 23.6 X 32.5 |
| Product Dimension (LXWXH) inch | 37.8 X 22.8 X 55.1 |
| Packing weight                 | 227lbs             |
| Net weight                     | 209lbs             |
| Loading capacity lbs           | 440lbs             |

### Assembly

- 1.1 Remove cart pieces from carton, bags or Styrofoam.
- 1.2 Check the contents with parts list to make sure all components are inside
- 1.3 Remove parts from the package, NOTE there is an assembly sheet in each parts bag, Follow instructions in each bag.
- 1.4 Install handle
- 1.5 Install gas cylinder holder
- 1.6 Install the tool box
- 1.4 Lay cart down on it's front to install the wheels
- 1.5 Put the chain on the back of the panel for holding the gas cylinder, add strap if needed
- 1.6The assembly is completed

## HD Cylinder Cart

---



## HD Cylinder Cart

---

### Spare Parts List

| Reference number | Description                        | Part number    | Qty      |
|------------------|------------------------------------|----------------|----------|
| 1                | Upper hanging section with eyehook | 1.1.01.05.2508 | 1        |
| 2                | Handle                             | 1.1.01.05.2507 | 1        |
| 3                | Tool box lock                      | 2.08.07.066    | 1        |
| 4                | Tool box cover                     | 1.1.01.05.2505 | 1        |
| 5                | Tool box                           | 1.1.01.05.2506 | 1        |
| 6                | Supporting tool box bracket        | 1.1.01.05.2556 | 2        |
| 7                | Loop for strap                     | 1.1.01.05.2560 | 2        |
| 8                | Axle                               | 1.1.01.05.2521 | 1        |
| 9                | Flat Free Wheel                    | 2.05.07.817    | 2        |
| 10               | Wheel shaft bush                   | 1.1.03.01.1528 | 2        |
| 11               | Bolt                               | 2.06.01.006    | 2        |
| 12               | Lock Washer                        | 2.06.18.019    | 2        |
| 13               | Washer for axle                    | 1.1.03.01.1527 | 2        |
| 14               | Frame                              | 1.1.01.05.2509 | 1        |
| 15               | Chain                              | 2.01.29.006    | 1.5/1.2M |
| 16               | Rear tool box bracket              | 1.1.01.05.2559 | 2        |

# WARRANTY

## NORTHERN TOOL + EQUIPMENT

EFFECTIVE JANUARY 1, 2013

### LIMITED WARRANTY

This warranty applies to the original purchaser and is subject to the terms and conditions listed below. This Limited Warranty is for new equipment sold after the above date, providing coverage for defects in material and workmanship at the time it is shipped from the factory.

Limited to the warranty periods below, Northern Tool + Equipment will repair or replace the item under warranty that fails due to defects in material and workmanship. Northern Tool + Equipment must be notified within 30 days of the failure, so as to provide instructions on how to proceed with the repair of your welder and warranty claim processing. Warranty period begins at the time the welder is purchased from Northern Tool + Equipment. **Keep your receipt as proof of purchase.**

#### Warranty Periods

Limited Warranty is divided into four categories. No Warranty, 90 days, 1 year and 3 year.

#### No Warranty

Normal wear items, MIG gun parts (contact tips, nozzle, contact tip adapter, MIG gun liner), drive roll, electrode holder, ground clamps, Plasma torch parts (nozzle, electrode, diffuser, cover) are considered consumable items and are not covered under warranty.

#### 90 days

Parts for Northern Tool + Equipment welding carts and welding cabinets. This warranty covers the absence of or defective parts.

#### 1 year

Parts and Labor on MIG gun parts (except those listed under normal wear items), cables, regulator, plasma torch (except those listed under normal wear items). Any shipping related to warranty repair is the responsibility of the customer.

#### 1 year/3 year

Please see your product information to determine if your product has a 1 year or 3 year warranty. This warranty covers parts and Labor on items such as: transformer, reactor, rectifier, solenoid valve, PC Board, switches, controls, gas valve, drive motor, drive system other than drive roll and any other component that requires the removal of the sheet metal to access. Any shipping related to warranty repair is the responsibility of the customer.

#### Voiding Warranty

Warranty does not apply to: Shipping Damage, Misuse and abuse of the unit, alteration of the unit in any way.

#### Warranty Claim

This is a parts and labor warranty. Do not return your unit. Retain your receipt in the case a warranty claim is needed. No warranty will be provided without the original receipt from Northern Tool + Equipment. To make a warranty claim, call our welder help line at 877-304-0294, M-F 8:00 am to 5:00 PM Central time or email [help@ntwelderhelp.com](mailto:help@ntwelderhelp.com).