



15-GALLON OIL DRAIN DOLLY WITH 12 VOLT PUMP OWNER'S MANUAL



WARNING:

Read carefully and understand all **ASSEMBLY AND OPERATION INSTRUCTIONS** before operating. Failure to follow the safety rules and other basic safety precautions may result in serious personal injury.

Item# 25329

Thank you very much for choosing a Roughneck product. For future reference, please complete the owner's record below:

Model: _____ Purchase Date: _____

Save the receipt, warranty and these instructions. It is important that you read the entire manual to become familiar with this product before you begin using it.

This product is designed for certain applications only. The distributor cannot be responsible for issues arising from modification. We strongly recommend this product not be modified and/or used for any application other than that for which it was designed. If you have any questions relative to a particular application, DO NOT use this product until you have first contacted the distributor to determine if it can or should be performed on the product.

For technical questions please call **1-800-222-5381**.

TECHNICAL SPECIFICATIONS

Capacity:	15 gallons
Dimensions:	48.03in.L x 24.80in.W x 7.857in.H
Includes:	3in. front swivel caster, 5in. rear wheel and T-bar handle
Intended Use:	Works great for low-profile applications
Additional Features:	Expanded metal cover helps reduce oil splash
	Built-in 12V pump for fast oil draining
	8ft. drain hose

GENERAL SAFETY RULES



WARNING: Read and understand all instructions. Failure to follow all instructions listed below may result in serious injury.



CAUTION: Do not allow persons to operate or assemble this low-profile steel oil drain until they have read this manual and have developed a thorough understanding of how the low-profile oil drain works.



WARNING: The warnings, cautions, and instructions discussed in this instruction manual cannot cover all possible conditions or situations that could occur. It must be understood by the operator that common sense and caution are factors which cannot be built into this product, but must be supplied by the operator.

SAVE THESE INSTRUCTIONS

WORK AREA

- **Keep work area clean**, free of clutter and well lit. Cluttered and dark work areas can cause accidents.
- **Keep children and bystanders** away while assembling or operating the low-profile steel oil drain. Distractions can cause you to lose control, so visitors should remain at a safe distance from the work area.

- **Be alert of your surroundings.** Using the low-profile steel oil drain in confined work areas may put you dangerously close to cutting tools and rotating parts.

PERSONAL SAFETY

- **Stay alert,** watch what you are doing and use common sense when using the low-profile oil drain. Do not use the low-profile steel oil drain while you are tired or under the influence of drugs, alcohol or medication. A moment of inattention while operating the low-profile steel oil drain may result in serious personal injury.
- **Dress properly.** Do not wear loose clothing, dangling objects, or jewelry. Keep your hair, clothing and gloves away from moving parts. Loose clothes, jewelry or long hair can be caught in moving parts.
- **Use safety apparel and equipment.** Use safety goggles or safety glasses with side shields which comply with current national standards, or when needed, a face shield. This applies to all persons in the work area. Also use non-skid safety shoes, hardhat, gloves, dust collection systems, and hearing protection when appropriate.
 - Make sure the Oil Drain is used only on a dry, oil/grease free, flat, level, ground surface capable of supporting the weight of the unit and contents.
 - Do not work under the vehicle without proper support devices.
 - Prior to using the Oil Drain Dolly, make sure to read and understand all warnings, safety precautions, and instructions as outlined in the vehicle manufacturers and the support device's instruction manuals.
 - Do not allow anyone in the vehicle while using the Oil Drain. Keep all bystanders a safe distance away from the vehicle.
 - Avoid burns. Allow the engine oil to completely cool before draining the oil into the Oil Drain
 - Do not leave the Oil Drain unattended when operating or draining the oil.



- Never use the Oil Drain near open flames or heat sources.
- Make sure to remove the Oil Drain and all other tools and equipment before lowering the vehicle to the floor surface.



- Follow guidelines for engine oil disposal. Used engine oil should be removed from the vehicle and properly disposed of or recycled. Many states require recycling. Contact your local solid/liquid waste authority for information on recycling and/or disposal.
- Oil contains hazardous chemicals which may be harmful to the environment and hazardous to your health.

LOW-PROFILE STEEL OIL DRAIN USE AND CARE

- **Do not modify the low-profile steel oil drain in any way.** Unauthorized modification may impair the function and/or safety and could affect the life of the equipment. There are specific applications for which the low-profile steel oil drain was designed.
- **Always check for damaged or worn out parts before using the low-profile steel oil drain.** Broken parts will affect the low-profile steel oil drains operation. Replace or repair damaged or worn parts immediately.
- **Do not exceed the low-profile steel oil drain capacity.**

- **Distribute the load evenly.** Uneven loads may cause the low-profile steel oil drain to tip, resulting in personal injury to the operator or others.
- **Use the low-profile steel oil drain on flat and level surfaces** capable of supporting the low-profile steel oil drain and its maximum load. Pulling or pushing a load on a slanted or uneven surface can result in loss of control.
- **Store idle low-profile steel oil drain.** When low-profile steel oil drain is not in use, store it in a secure place out of the reach of children. Inspect it for good working condition prior to storage and before re-use.

WARNINGS FOR ELECTRIC PUMP

1. If the Cables with Clamps on the pump are damaged, they must be replaced by a qualified service technician.
2. To prevent serious injury from accidental operation: Disconnect the Pump from its 12 Volt battery before performing any inspection, maintenance, or cleaning procedures.
3. To prevent serious injury from tool failure: Do not use damaged equipment. If abnormal noise or vibration occurs, have the problem corrected before further use.
4. Never smoke near the Pump or use the Pump near an open flame. Fire could result.
5. Designate a work area that is clean and well-lit. The work area must not allow access by children or pets to prevent distraction or injury.
6. Route the Power Cables along a safe route to reach the work area without creating a tripping hazard or exposing the cables to possible damage. The cables must reach the work area with enough extra length to allow free movement while working.
7. There must not be hazardous objects, such as utility lines or foreign objects, nearby that will present a hazard while working.

ASSEMBLY

NOTE: Please refer to the Parts Diagram for the following assembly instructions.

1. Attach the wheel #26 together with bearing #24 to the wheel axle under the back of the Reservoir #19 , secure with Bolt #23, Washers #15, retaining rings #25 and Lock Nut #27. Be sure the wheel can spin freely.
2. Attach the Caster #12 to the bracket at the front of the reservoir #19; secure with Washer#15 , Spring Washer#14 and Nut #13.
3. Connect one end of Short Hose #10 to Hose Fitting #11 under the Reservoir, and another end to Hose Fitting #7 under the Pump #9; secure them with Hose Clamps #6.
4. Connect Long Hose #3 to Hose Fitting #7 on top of the Pump #9, Secure with Hose Clamps #6.
5. Attach the Handle Seater #22 on the top front of the reservoir #19, secure with Bolt(#20), Spring Washer(#21) and Washer(#17); Attach the handle onto the Handle Seater #22, secure with Bolt #18, Washer(#17) and Lock Nut #16.
6. Put the Filter Screen #2 onto the Reservoir #19.

OPERATION



WARNING: Follow all safety precautions outlined in this manual and the vehicle manual.

1. Move the Oil Drain under the vehicle, making sure the Opening of Reservoir is positioned directly below the oil drain plug of the engine.
2. Remove the oil drain plug of the engine, and allow the old oil to completely drain from the engine

into the Reservoir.

3. Once the old engine oil is completely drained, replace the oil drain plug of the engine and refill, if needed.
4. When emptying the old oil from the Reservoir of the Oil Drain, make sure to follow guidelines for engine oil disposal. If necessary, contact your local solid/liquid waste authority for information on recycling and/or disposal.
5. Move the oil drain to where the old oil will be temporary stored (e.g., a tank). Connect the Cables with Clamps to 12 Volt battery (not included). Make sure to connect the RED Clamp to the Positive (+) battery terminal and the BLACK Clamp to the Negative (-) battery terminal, also make sure voltage is 12 Volt. For new pump or pump that has not been used for a long time, please fill with a little oil from inlet and outlet of the pump at first time for use; this action keeps the rotors of the pump lubricated.
6. Put the Long Hose #3 into the tank, and switch on the electric pump until old oil in the drain is emptied out.

TROUBLE SHOOTING

- a) No oil coming out during use at first
 1. **cause:** + and – connected incorrectly **solution:** connect properly
 2. **cause:** inlet/outlet hose has air leak **solution:** connect and fasten well
 3. **cause:** out of oil **solution:** fill with small amount of pumped oil
- b) Only a little oil coming out
 1. **cause:** low voltage **solution:** Check outlet, do not use ext cord
 2. **cause:** inlet filter blocked with debris **solution:** clear away the debris (see below)
 3. **cause:** worn vanes **solution:** change vanes
- c) How to clean out debris

Step 1: Remove the 3 socket screws.

Step 2: Remove Impeller Cover.

Step 3: Clean all debris from around the impeller. Make sure impeller rotates freely after cleaning and before reassembly.



Step 1



Step 2



Step 3

- d) How to clean out filter

Step 1: Loosen the screw and board, and remove the filter.

Step 2: Clean out the debris and reassemble.



Step 1



Step 1

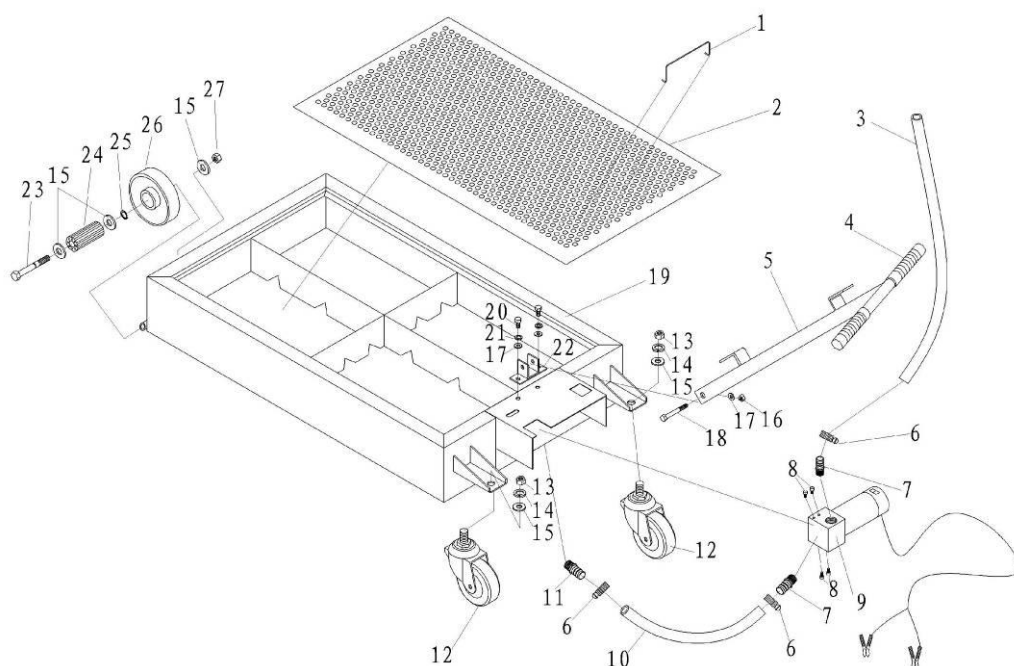


Step 2

MAINTENANCE

1. **Maintain your low-profile oil drain.** It is recommended that the general condition of any low-profile oil drain be examined before it is used. Keep your low-profile oil drain in good repair by adopting a program of conscientious repair and maintenance. If any abnormal vibrations or noise occurs, have the problem corrected before further use. Have necessary repairs made by qualified service personnel. Before each use, inspect the general condition of the Oil Drain. Check for broken or bent parts, loose or missing parts, and any condition that may affect the proper operation of the product. If a problem occurs, have the problem corrected before further use. **Do not use damaged equipment.**
- When cleaning, use a clean cloth with detergent or mild solvent. Then, store the Oil Drain in a safe and dry location

DIAGRAM & PARTS LIST



No.	Description	Qty.	No.	Description	Qty.
1	Handle	1	15	Washer	8
2	Filter Board	1	16	Locking Nut	1
3	Long Hose	1	17	Washer	3
4	Handle Grip	2	18	Bolt	1
5	Handle Assembly	1	19	Reservoir	1
6	Hose Clamp	3	20	Bolt	2
7	Connector I	2	21	Spring Washer	2
8	Screw	4	22	Handle Seater	1
9	Pump	1	23	Bolt	2
10	Short Hose	1	24	Bearing	2
11	Connector II	1	25	Retaining Ring	2
12	Caster	2	26	Wheel	2
13	Nut	2	27	Locking Nut	2
14	Spring Washer	2			

NOTE: Some parts are listed and shown for illustration purposes only, and are not available individually as replacement parts.

For replacement parts and technical questions, please call **1-800-222-5381**.

WARRANTY

One-year limited warranty



Distributed by
Northern Tool + Equipment Co., Inc.
Burnsville, Minnesota 55306-6936
Made in China