

2x4basics
OUTDOOR FURNITURE
PICNIC TABLE KIT

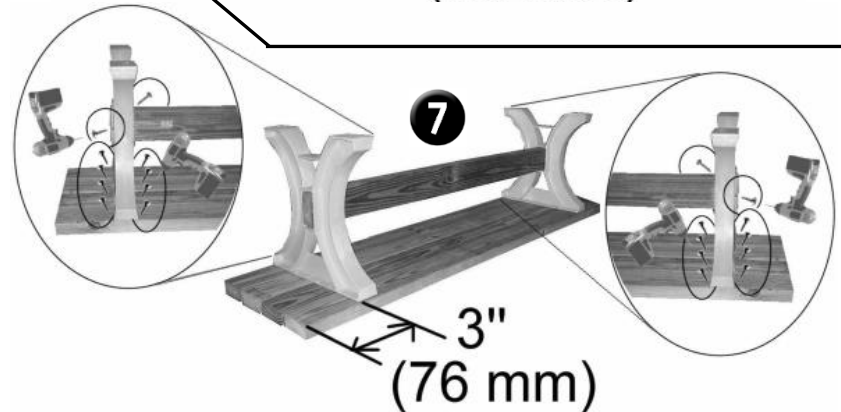
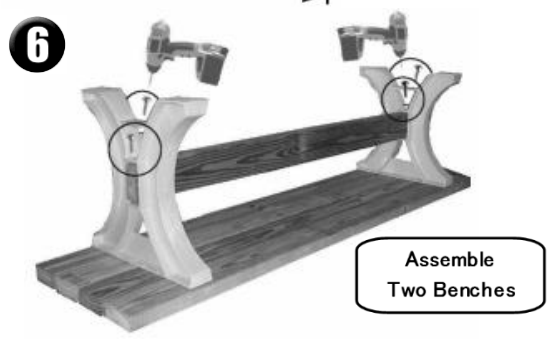
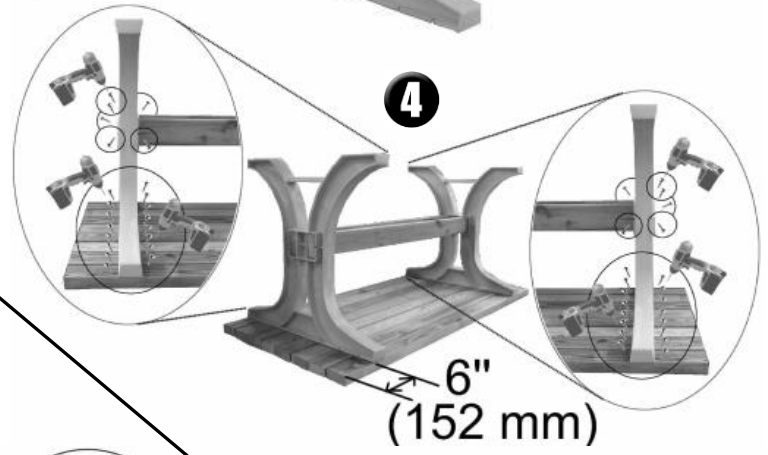
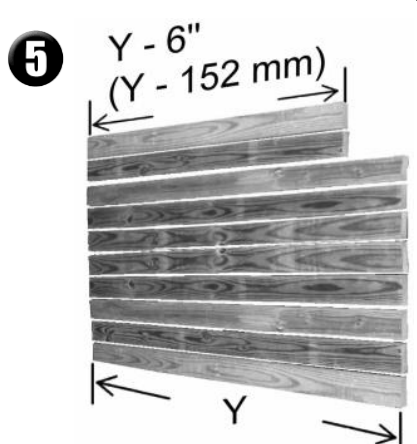
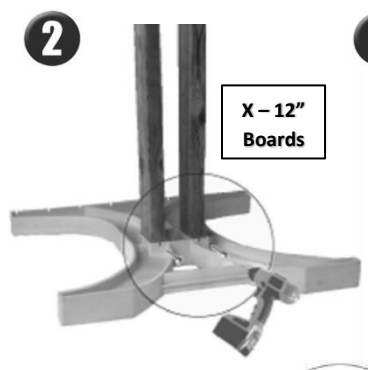
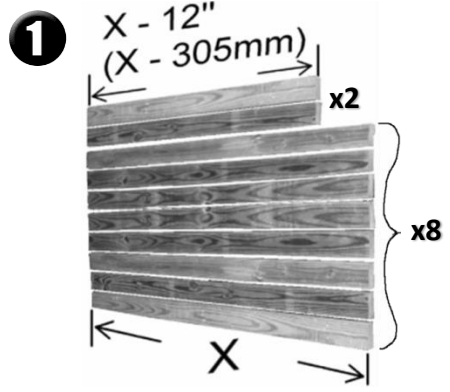
Included
x60
 #10x1"
 (4.75mmx25mm)



x20
 2x4
 3 1/2"
 (89mm) 1/2"
 (38mm)
Materials Needed



Maximum Recommended Length of X & Y = 6' (1829 mm) (Per Pair of Legs)



2-Year Limited Warranty for this 2x4basics product purchased for normal household use. Hopkins Mfg. warrants this product to the original purchaser of a Hopkins Mfg. product that it will be free from defects in material and workmanship for a period of 2 years from the date of purchase. Hopkins Mfg. will repair, replace, or refund the purchase price of the product, at the option of Hopkins Mfg., upon return of the product and the original receipt. In the US, this warranty gives you specific legal rights that may vary from state to state.



HOPKINS
 www.2x4basics.com

428 Peyton St.
 Emporia, KS 66801
 800-524-1458

2x4basics
Make it AnySize™

