

## WARNING INFORMATION



This is the safety alert symbol. It is used to alert you to potential personal injury hazards. Obey all safety messages that follow this symbol to avoid possible injury or death.

### **WARNING**

WARNING: Indicates a hazardous situation which, if not avoided, could result in death or serious injury.



### **IMPORTANT: READ THESE INSTRUCTIONS BEFORE OPERATING**

BEFORE USING THESE STANDS, READ THIS MANUAL COMPLETELY AND THOROUGHLY, UNDERSTAND ITS OPERATING PROCEDURES, SAFETY WARNINGS AND MAINTENANCE REQUIREMENTS.

It is the responsibility of the owner to make sure all personnel read this manual prior to using these stands. It is also the responsibility of the stand owner to keep this manual intact and in a convenient location for all to see and read. Contact PowerStation, LLC for a replacement label if your stand's label is not readable. If the operator is not fluent in English, the product and safety instructions shall be read to and discussed with the operator in the operator's native language by the purchaser/owner or his designee, making sure that the operator comprehends its contents.

## THE NATURE OF HAZARDOUS SITUATIONS

### **WARNING**

The use of portable automotive lifting and support devices is subject to certain hazards that cannot be prevented by mechanical means, but only by the exercise of intelligence, care, and common sense. It is therefore essential to have owners and personnel involved in the use and operation of the equipment who are careful, competent, trained, and qualified in the safe operation of the equipment and its proper use. Examples of hazards are dropping, tipping or slipping of loads caused primarily by improperly secured loads, overloading, off-centered loads, use on other than hard level surfaces, and using equipment for a purpose for which it was not designed.

## METHODS TO AVOID HAZARDOUS SITUATIONS

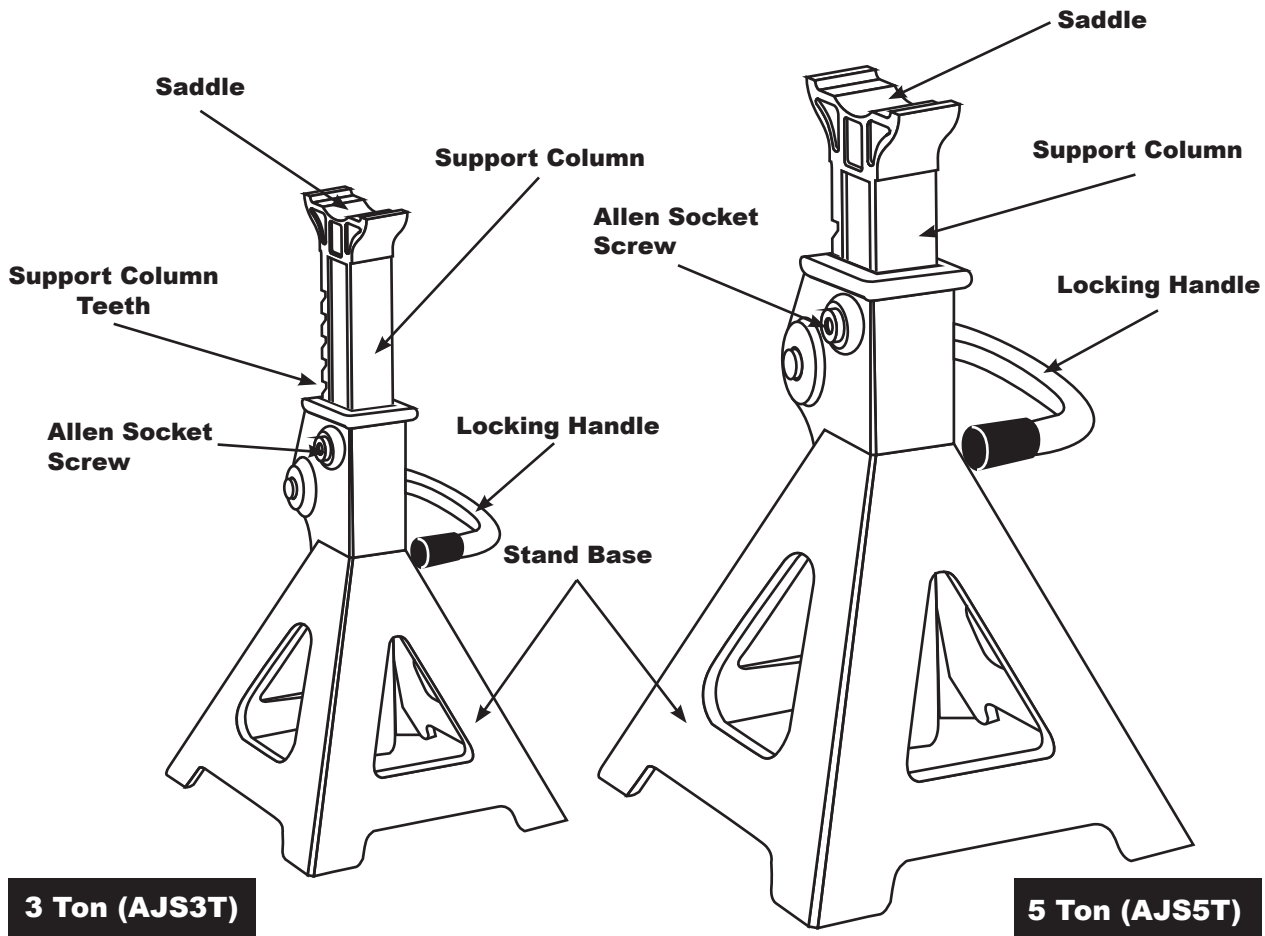
### **WARNING**

- Read, study, understand and follow all instructions before using.
- Inspect the jack stands before each use. Do not use if damaged, altered, modified, in poor condition, or have loose or missing hardware or parts. Make corrections before using the stands.
- Wear eye protection that meets ANSI Z 87.1 and OSHA standards.
- Do not use beyond rated capacity. Do not shock load.
- Use only on a hard level surface capable of supporting the load.
- Stands are to be used in matched pairs to support one end of a vehicle only. Do not simultaneously support both ends or one side of a vehicle.
- Apply the emergency brake, put the gear shift lever in park or gear if a manual shift transmission, and chock the tires that will not be lifted off the ground.
- Center load on saddle. Do not use saddle lugs to support the load.
- Check the stands for solid contact with the ground and vehicle. Make sure the stands' locking pawls are fully engaging the support columns' teeth.
- Consult the vehicle manufacturer for the proper frame support locations.
- This product contains chemicals known to the state of California to cause cancer and birth defects or other reproductive harm. *Wash hands thoroughly after handling.*
- Failure to heed these warnings may result in personal injury and/or property damage.

## CONSEQUENCES OF NOT AVOIDING HAZARDOUS SITUATIONS

### **WARNING**

Failure to read this manual completely and thoroughly, failure to understand its OPERATING INSTRUCTIONS, SAFETY WARNINGS, MAINTENANCE INSTRUCTIONS and comply with them, and failure to comply with the METHODS TO AVOID HAZARDOUS SITUATIONS could cause accidents resulting in serious or fatal personal injury and/or property damage.



## ASSEMBLY INSTRUCTIONS

1. Install the support column in the stand where the support column teeth are facing toward the stand's locking pawl.
2. Raise the stand's locking handle to allow the column to go to its lowest position.
3. In order to prevent removal of the support column from the stand, thread the Allen socket screw in toward the column until the screw bottoms out.

## OPERATING INSTRUCTIONS



This is the safety alert symbol used for the OPERATING INSTRUCTIONS section of this manual to alert you to potential personal injury hazards. Obey all instructions to avoid possible injury or death.

1. Make sure the work floor is clean and free of debris and obstacles.
2. Chock the vehicle's tires that will not be lifted. Make sure the emergency brake is on and the vehicle's transmission is either in the park mode or gear if a manual transmission.
3. Raise the vehicle to a safe working height and make sure the jack and vehicle setup are stable before positioning the jack stands. **DO NOT CRAWL UNDER THE VEHICLE TO POSITION OR REMOVE STANDS.**
4. Position the jack stands right below the areas of the vehicle support points as specified by the vehicle manufacturer.
5. Lift the support columns as close to the vehicle as possible without the saddles on the columns coming in contact with the vehicle. Make sure the support columns' teeth are engaged with the locking pawl.
6. Slowly and carefully lower the vehicle on the jack stands. Shock loads or loads dropped abruptly on stands can cause premature metal fatigue or even stand failure depending on the weight of the vehicle and the speed of descent that impacts the stands' support columns. The load should be supported in the center of the support column saddles, not the locating lugs of the saddles.
7. Check the load for stability. If the load is not stable, lift the load off the stands and correctly reposition the stands.
8. When work is completed, raise the vehicle high enough off the stands where the stands can be easily removed.

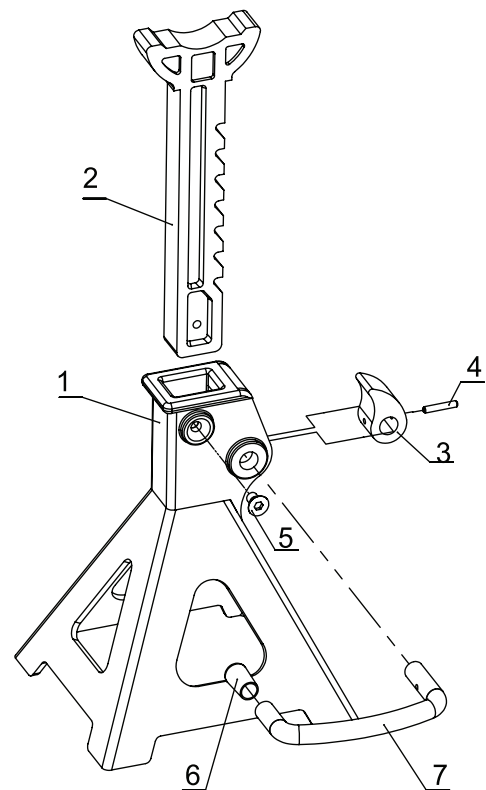
## SPECIFICATIONS

	3 Ton (AJS3T)	5 Ton (AJS5T)
Low Height	11.5"	15.354"
High Height	16.5"	23.543"
Base	7-1/16" x 7-7/8"	10-1/8" x 11-3/8"
Saddle	1" x 3-1/2"	1-3/8" x 4"
Weight (pair)	9.9 lbs.	22.4 lbs.

## PARTS LIST AND DIAGRAM

Parts are not available separately due to safety precautions.

ITEM NO	DESCRIPTION	QTY
1	Base	1
2	Support Column	1
3	Locking Pawl	1
4	Pin (5x32)	1
5	Allen socket screw	1
6	Handle cover	1
7	Handle	1



## PREVENTATIVE MAINTENANCE



This is the safety alert symbol used for the PREVENTATIVE MAINTENANCE section of this manual to alert you to potential personal injury hazards. Obey all instructions to avoid possible injury or death.

1. Always store the jacks stands in a well protected area where they will not be exposed to inclement weather, corrosive vapors, abrasive dust, or any other harmful elements. The stands must be cleaned of water, snow, sand or grit before using.
2. Every jack stand owner is responsible for keeping the stand labels clean and readable. Use a mild soap solution to wash external surfaces of the stand. Contact PowerStation, LLC for a replacement label if your stand's label is not readable.
3. Inspect the stands before each use. Do not use the stands if any component is cracked, broken or bent. Do not use the stand if it has loose or missing hardware or components, or is modified in any way. Take corrective action before using the stand again. Premature wearing or damage to components caused by loose or missing hardware is not eligible for warranty consideration.

## LIMITED WARRANTY

### POWERSTATION, LLC WARRANTS TO ITS CUSTOMERS THAT THE COMPANY'S POWERSTATION, LLC BRANDED PRODUCTS ARE FREE FROM DEFECTS IN WORKMANSHIP AND MATERIALS.

PowerStation, LLC will repair or replace its PowerStation, LLC branded products which fail to give satisfactory service due to defective workmanship or materials, based upon the terms and conditions of the following described warranty plans attributed to that specific product. This product carries a ONE-YEAR warranty. During this warranty period, PowerStation, LLC will repair or replace at our option any part or unit which proves to be defective in material or workmanship.

### Other important warranty information:

This warranty does not cover damage to equipment or tools arising from alteration, abuse, misuse, damage and does not cover any repairs or replacement made by anyone other than PowerStation, LLC. The foregoing obligation is PowerStation, LLCs' sole liability under this or any implied warranty and under no circumstances shall we be liable for any incidental or consequential damages.

**Note:** Some states do not allow the exclusion or limitation of incidental or consequential damages, so the above limitation or exclusion may not apply to you. If you have any questions about warranty service, please contact PowerStation, LLC. This warranty gives you specific legal rights and you may also have other rights which vary from state to state.

**1-800-879-7316**

Monday - Friday 9am to 5pm EST

P.O. Box 1203

Travelers Rest, South Carolina 29690