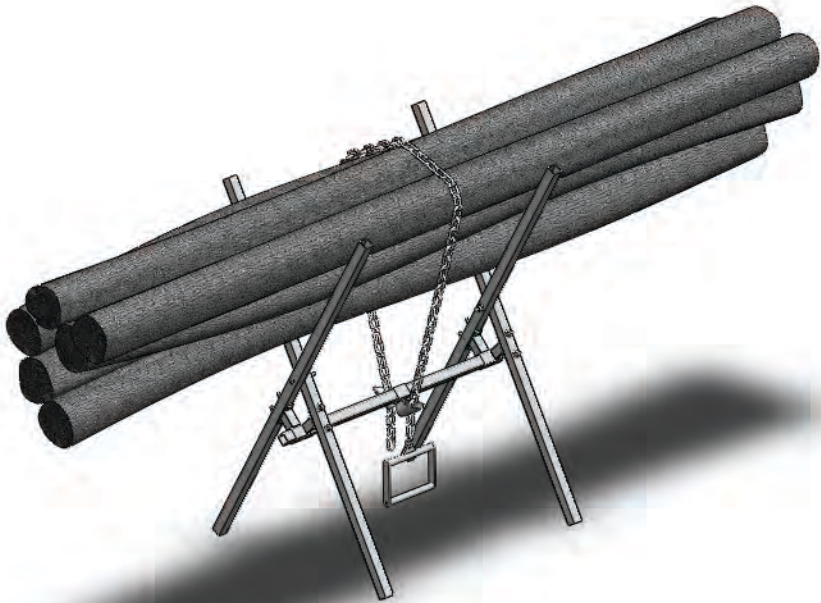
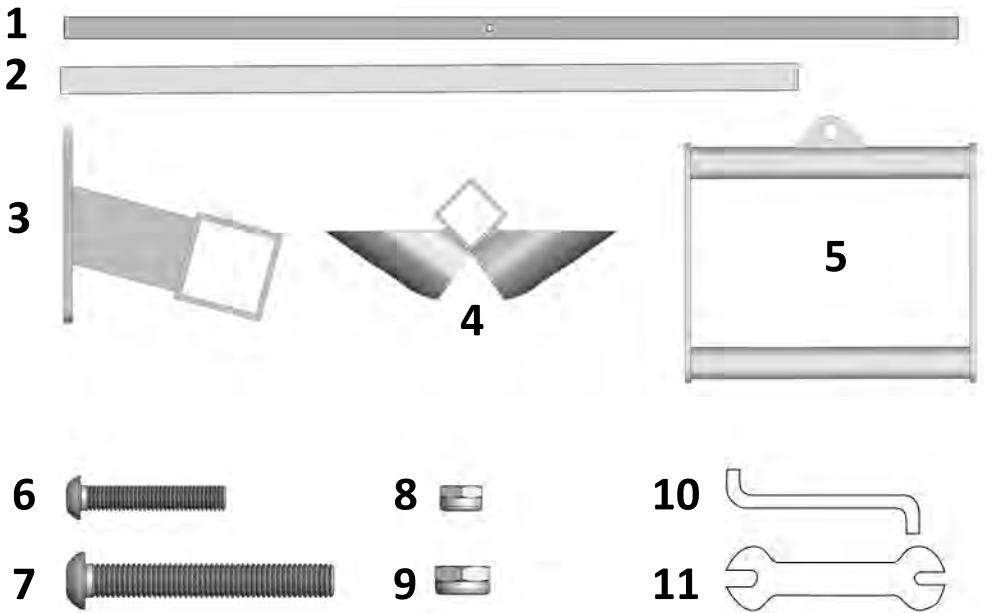


# Bulk Saw Horse

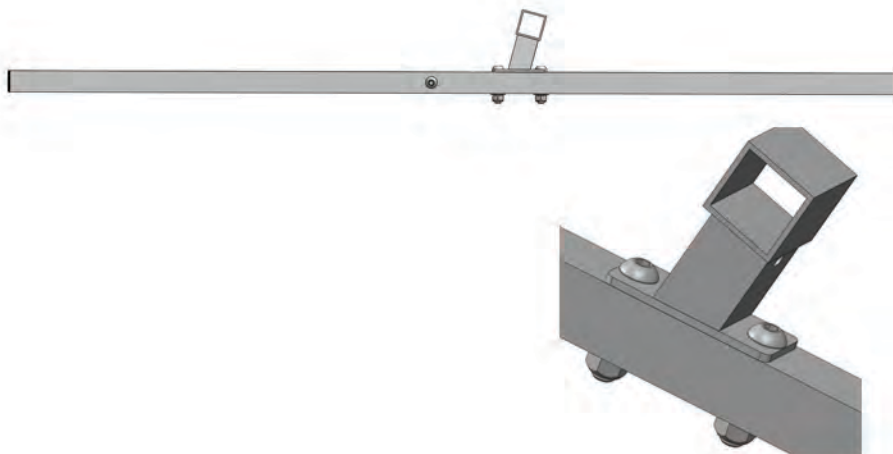
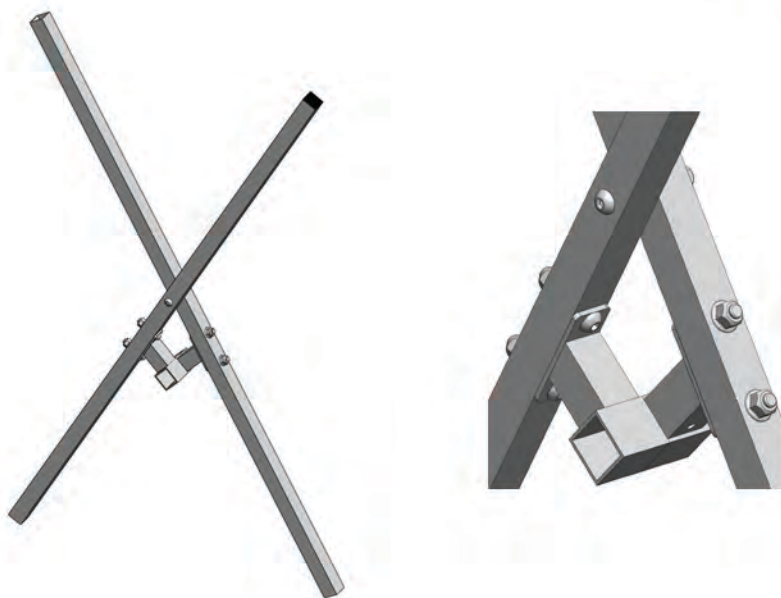
Patented

Versatile, Efficient, Strong





- 1 Leg x 4
- 2 Cross member x 1
- 3 Guide x 4
- 4 Chain stop x 1
- 5 Stirrup x 1
- 6 M6 x 35mm bolt x 8
- 7 M8 x 60mm bolt x 2
- 8 M6 nyloc nut x 8
- 9 M8 nyloc nut x 2
- 10 Allen key(s)
- 11 Combination Spanner
- 12 Chain 1.8 metres

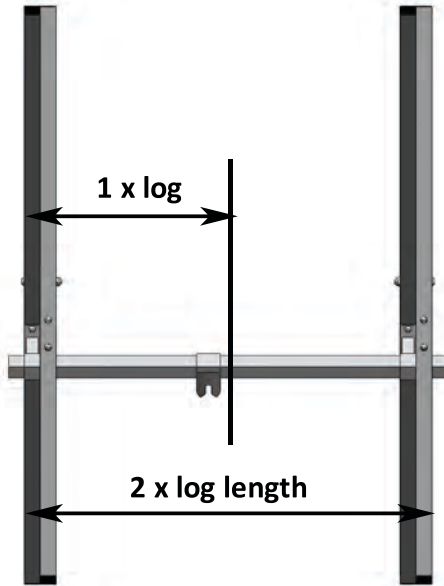
**A****B****C**

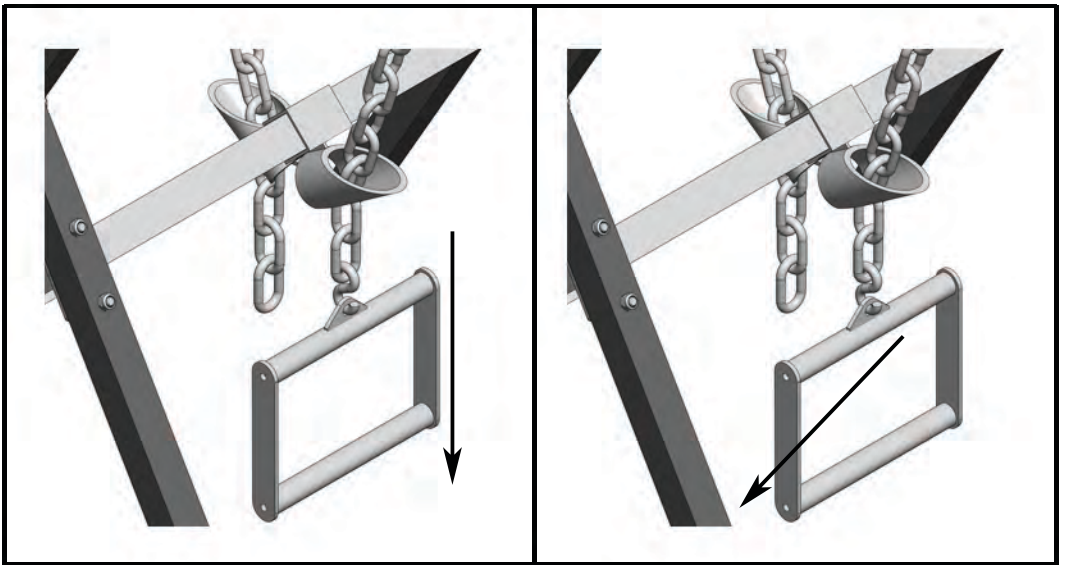


## Assembly Instructions

**Note: All nuts and bolts should only be tightened finger tight until all parts are assembled.**

- A. Using 2 M6 x 35mm bolts and 2 M6 nuts, fix 1 of the guides (3) to one of the legs (1). The guide should be positioned so that it slopes towards the end of the leg closest to the 2 bolt holes.  
Repeat for each of the remaining legs and guides.
- B. Using an M8 bolt and M8 nut join 2 of the leg/guide assemblies so that the 2 square guide sections are aligned.  
Repeat for the other pair of leg/guide assemblies.
- C. Slide the chain stop assembly (4) over the cross member (2).
- D. Slide 1 pair of leg/guide assemblies onto each end of the cross member, so that the cross member passes through both of the square guide tubes of each pair.
- E. Adjust the spacing of the legs to be approximately twice the required log width then tighten all nuts and bolts.
- F. Due to the close fit between the cross member and the guides, problems may be experienced in sliding the legs after all bolts have been tightened. To overcome this, remove the M8 bolt from each pair of legs while leaving them on the cross member then alternatively apply outward and inward pressure to the tops of the legs. Replace and tighten the M8 bolt.





## Safety Precautions

- Read this manual fully before assembly and use and observe all safety precautions. Keep this manual safe for future reference. Non-observance of safety precautions may result in injury.
- Before using the saw horse make sure it is properly assembled and all nuts and bolts are secure.
- Use the saw horse on firm level ground only. Do not use on sloping or uneven ground.
- After placing the logs in the saw horse check the stability and balance before commencing to cut. The saw horse must not tilt.
- Read and observe the operating instructions of the chainsaw you are using.
- Only cut with the bottom of the chainsaw bar as the logs may otherwise shift away from the rotating chain, become unstable and increase the risk of personal injury.

## Operating Instructions

1. Adjust the position of the legs on the cross member so that they are spaced approximately twice the required log length apart. It may be necessary to slacken the nuts and bolts to adjust the leg spacing. Ensure that all nuts and bolts are re-tightened.
2. Set the position of the chain stop so that it is just less than 1 log length from one pair of legs. This ensures when the final cut is made close to the chain the resulting logs are approximately the same length.
3. Place the logs in the holder so that the overhang at each end of the holder is roughly equal.
4. Place the chain over the logs and feed the ends of the chain through the chain stops.
5. Hook the stirrup onto 1 end of the chain.
6. To tension the chain and secure the logs, place a foot in the stirrup and push vertically down. To get sufficient tension it may be necessary to partially tension the chain then unhook the stirrup and re-hook it a few links higher before applying further downward pressure.
7. To release the chain, place a foot in the stirrup and push down and towards the cross member then slowly release the tension.

## Technical Specification

Length 700mm

Width 540mm

Height 800mm

Weight 8kg

Manufactured by



**WWW.FOREST-MASTER.COM**

Forest Master Limited

Forest Master House Astley Road, Seaton Delaval  
Northumberland, NE29 0DH, England

Tel: +44 191 2966939 - Fax +44 191 2966827

info@forest-master.com - www.forest-master.com