

QuickStart Guide

Thank you

FOR JOINING THE
POWERHOUSE FAMILY

Please review this Quick Start Guide to begin using your generator.
To fully understand and safely operate this product, please review the warnings and complete detailed instructions in the Owner's Manual.



Please refer to the Owner's Manual when you see this icon for important details and additional information.



Use outdoors only

PRODUCES CARBON MONOXIDE —
CAN CAUSE DEATH OR SERIOUS INJURY



Avoid water

KEEP AWAY FROM RAIN, SNOW
AND OTHER WET CONDITIONS



Flammable

KEEP AWAY FROM SMOKING MATERIALS,
SPARKS, + SOURCES OF COMBUSTION WHEN REFUELING



In emergency

PUSH THE ENGINE SWITCH TO **OFF** POSITION
TO STOP ENGINE – WITH OR WITHOUT A LOAD.



Keep level

ALWAYS OPERATE
ON A LEVEL SURFACE



High altitudes/ Extreme temperatures

REFER TO THE OWNER'S MANUAL FOR SPECIFIC RECOMMENDATIONS



Please take a few moments to register your unit at www.powerhouse-products.com/register.

If you have a problem with this generator, do not return it to the store where you purchased it. For warranty support call 877-544-4449, 8am to 6pm ET, or email us at warranty@powerhouse-products.com.

500Wi

Inverter Generator

What you need to Get started



Oil (7.4 oz of 15W-40)
Use 0W-40 in very cold weather



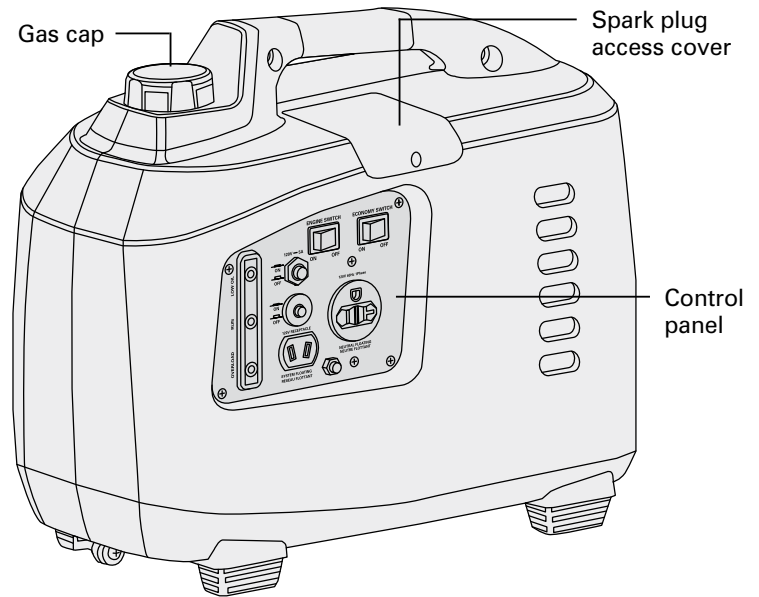
Gasoline (0.37 gal.)



Funnel

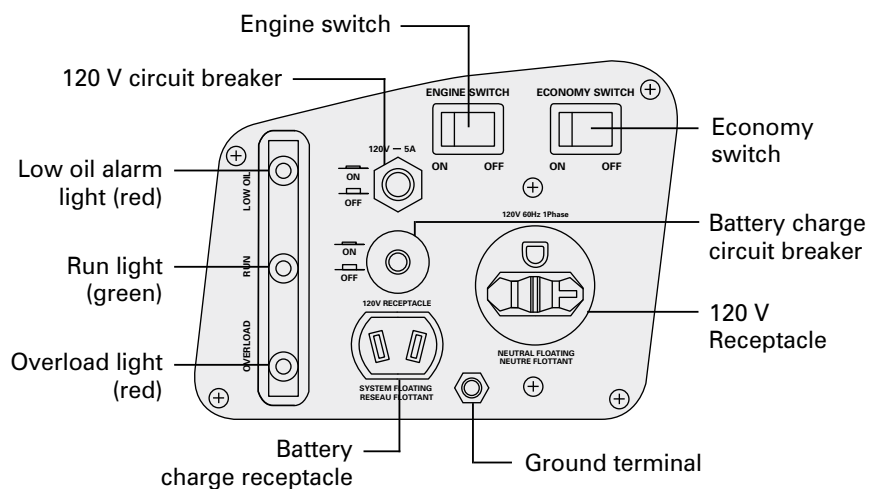
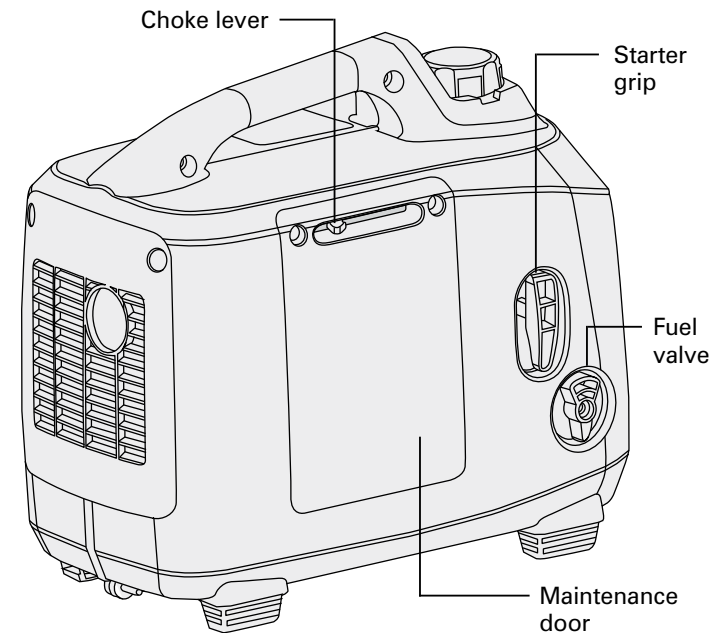


Phillips screwdriver

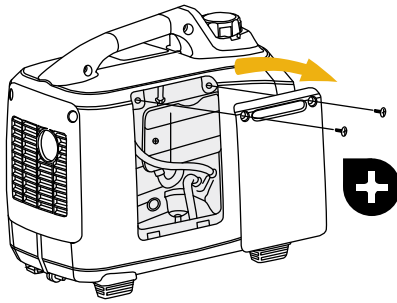


Box Contents

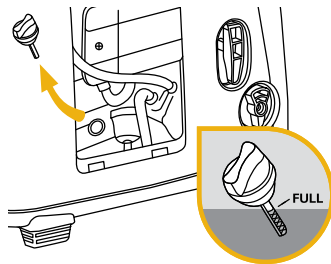
1. 500W generator
2. Oil jug
3. Oil drain pipe
4. Screwdriver
5. Spare spark plug
6. Spark plug socket
7. Wrench
8. Battery charge kit
9. Owner's manual



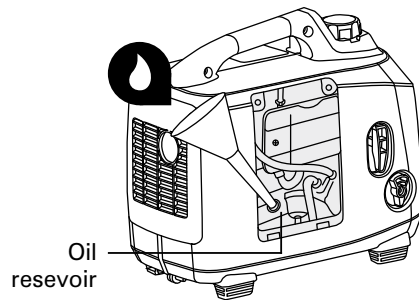
Initial setup



Remove **maintenance door**



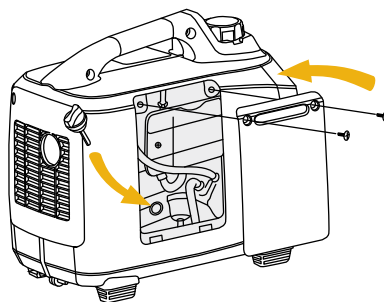
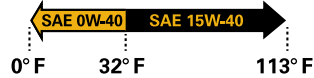
Remove **dipstick**



Add **oil**  10

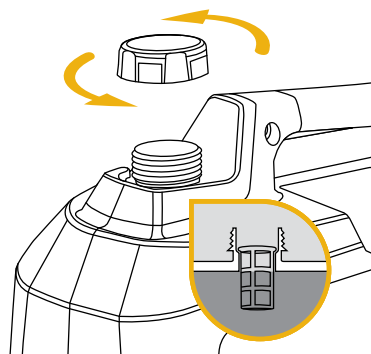
Add 7.4 oz. (220 ml) of oil or fill to full mark on dipstick

Recommended oil



Replace **dipstick**

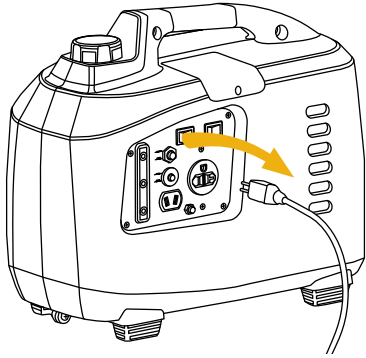
Replace **maintenance door**



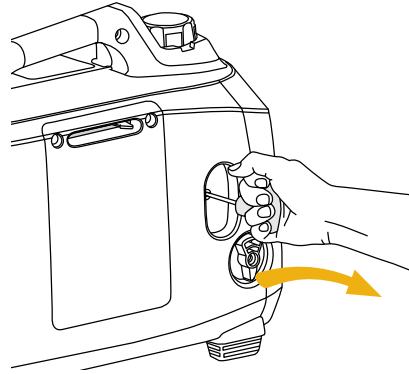
Add **gasoline**  11

Use gasoline with an octane rating of 87 or higher

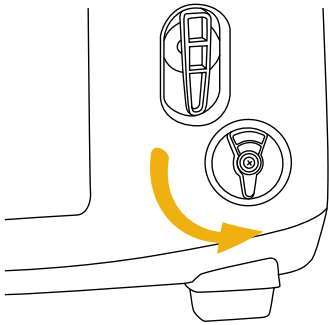
Operation



Disconnect appliances



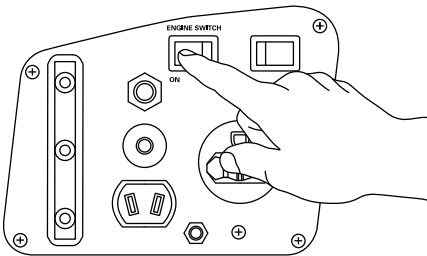
Pull **starter**



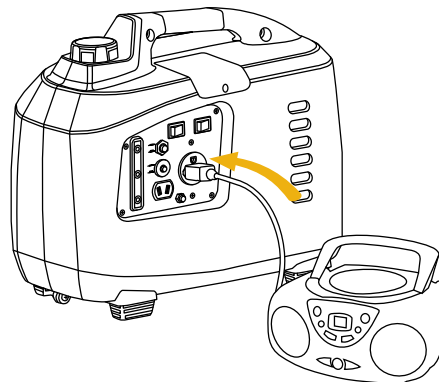
Open **fuel valve**



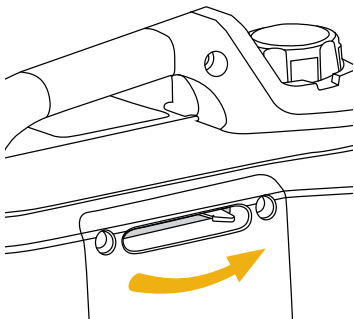
Open **choke**



Turn **engine switch** on



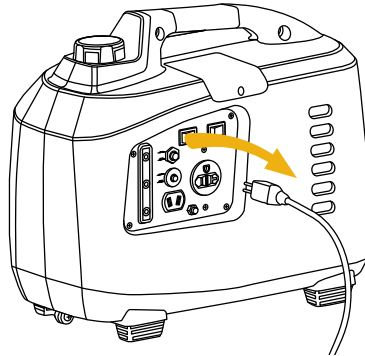
Connect appliances



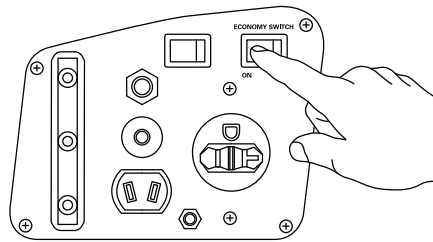
Close **choke**



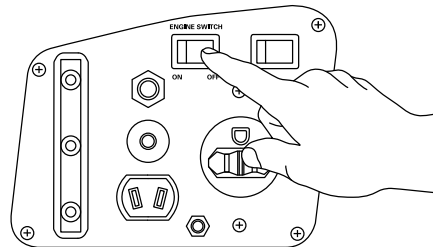
Shutdown



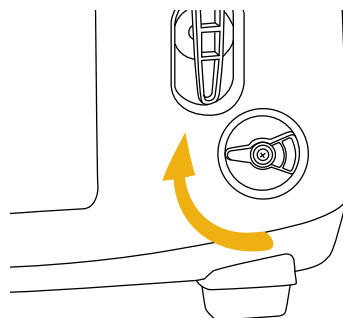
Disconnect
appliances



Turn
**economy
switch** on



Turn
**engine
switch** off



Close
fuel valve