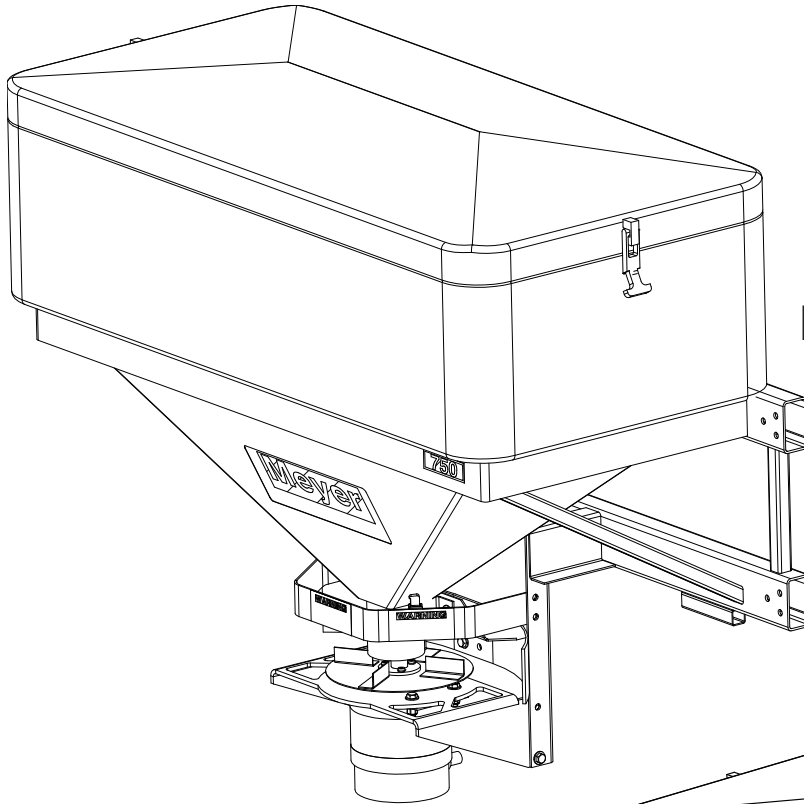


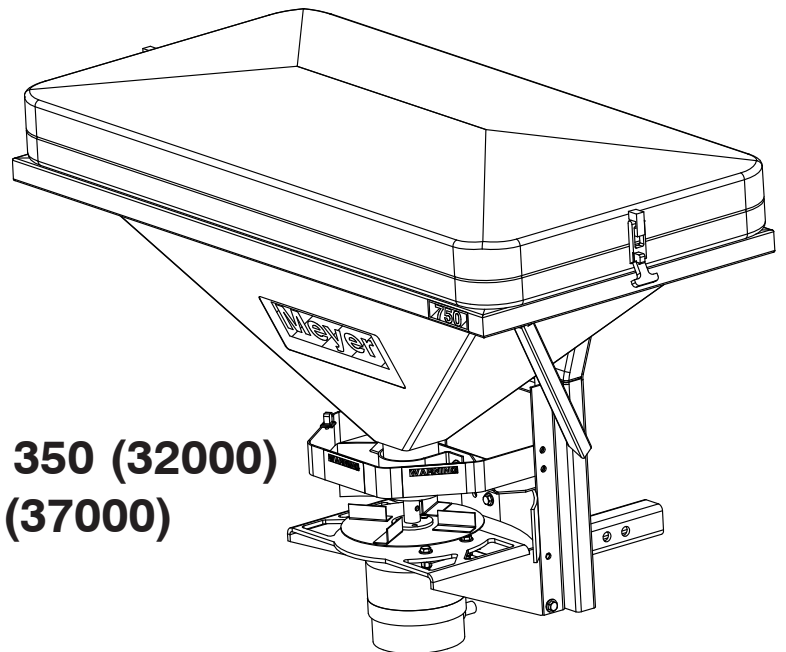
Installation Instruction and Owners Manual

BLASTER SALT/SAND SPREADERS

Models: 350/350S/750/750R & 750S



BLASTER 750(33000)
750R(33750)
750S (39000)



BLASTER 350 (32000)
350S (37000)

Meyer Products LLC reserves the right, under its continuing product improvement program, to change construction or design details, specifications and prices without notice or without incurring any obligation.

Meyer Products LLC
18513 Euclid Ave. • Cleveland, Ohio 44112-1084
Phone 486-1313 (Area Code 216)
www.meyerproducts.com • email info@meyerproducts.com



Meyer Products LLC
6 Angell Lane • Damariscotta, ME 04543-4507
Phone 563-2227 (Area Code 207)
www.meyerproducts.com • email info@meyerproducts.com

TABLE OF CONTENTS

INTRODUCTION	1
VEHICLE REQUIREMENTS	1
SAFETY GUIDELINES	2
350 PARTS LIST	3
INSTALLING RECEIVER MOUNT MODEL: 350	4
750 PARTS LIST	5
750R PARTS LIST	6
ELECTRICAL INSTALLATION	7
OPERATING THE SPREADER	8
SPREADER MAINTENANCE	9
TROUBLESHOOTING	9
WARRANTY INFORMATION	10

INTRODUCTION

This manual will assist you in the proper set-up, installation, and use of the Blaster series spreaders.

Please read and understand the contents of the manual completely (especially all safety information) before attempting any procedure contained herein.

The Blaster line of spreaders may be attached to many types of vehicles to suit different spreading needs.

The modular design allows for multiple mounting variations using the same spreader.

Our heavy-duty construction uses high quality steel, stainless steel or polyethylene along with industrial grade electrostatic paint finishes so that maintenance is minimal.

Our high torque, direct drive motor powered by a state-of-the-art, variable speed, solid state electronic controller will provide reliable power and control when spreading, even at extremely low temperatures.

Meyer Products LLC reserves the right to make any changes or improve the design of any parts and not be obligated to make changes on units previously sold.

VEHICLE REQUIREMENTS FOR MAGNUM SERIES SALT/ SAND SPREADER INSTALLATION

- 1.) For installation Blaster 750 series salt spreaders:
 - A.) Due to the size and capacity of these spreaders we recommend installation on full size trucks with a 3/4 Ton rating or higher.
 - B.) Stock mountings ("Hinged" or "Fixed") are designed to be used only with full size pick-up trucks which have rear bumpers in good condition (top surface must be straight and relatively level with truck)
 - C.) If hinged mounting is desired, the truck's bed rails must also be of good condition and stake pockets free for use.
 - D.) If fixed mounting will be used, the tailgate must close and latch solidly
- 2.) For installation of Blaster 350 series salt spreaders:
 - A.) This product line can be installed on any vehicle with a class 3 hitch receiver that will accept a 2" square tube and has a tongue weight rating of at least 500 lbs.
 - B.) If your vehicle is not factory equipped with a hitch, we recommend taking it to a reputable trailer hitch installation shop or your vehicles dealership.
 - C.) Reese and Draw-Tite offer a dual port hitch (DPS) with two round, downward angled receivers. A 5.75 cu. ft. Blaster spreader can be ordered to fit this system.

As with any vehicle accessory, please refer to you owners manual to verify that the GVWR (Gross Vehicular Weight Rating) will not be exceeded, especially if this product will be used in conjunction with other mounted equipment. If equipment is mounted to vehicle with other than stock hardware or components, we the manufacturer cannot and will not be held responsible for damages. Also, check your vehicle owner's manual to be sure that the installation of "after-market" accessories will not void the manufacturers' factory warranty.

SAFETY GUIDELINES

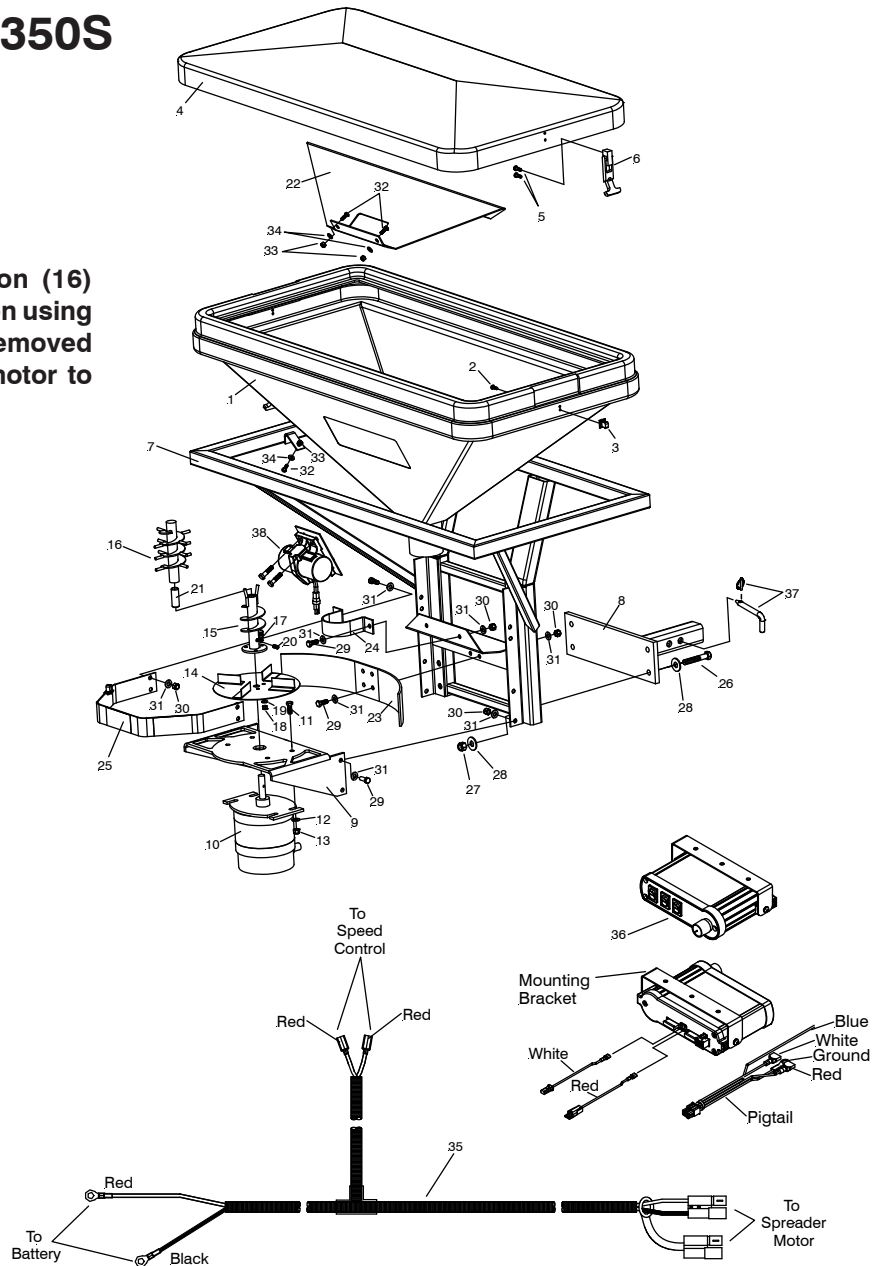
For your safety when the word **WARNING** is used, this refers to information that if not carefully followed could result in personal injury or death.

The word **CAUTION** refers to a situation that could cause minor injury or damage to equipment.

- WARNING** – Before operating READ and UNDERSTAND this operators manual in its entirety.
- WARNING** – NEVER operate equipment while under the influence of alcohol, drugs, or medications that might impair your judgment and reaction time.
- WARNING** – NEVER allow children to operate equipment.
ALWAYS CHECK AREAS to be spread to be sure no hazardous conditions or substances are present.
ALWAYS INSPECT UNIT FOR DEFECTS: broken, bent, or worn parts, or weakened areas on spreader or mount.
- WARNING** – ALWAYS SHUT OFF vehicle power source before attaching, detaching, or servicing the equipment.
- WARNING** – ALWAYS MAKE SURE PERSONNEL ARE CLEAR of spread pattern when using equipment.
- WARNING** – NEVER EXCEED 45 M.P.H when loaded spreader is attached to vehicle. Braking distances and handling characteristics may be impaired at greater speeds.
- CAUTION** – Never use wet materials or material with foreign debris. This unit is designed to handle clean, dry, free-flowing material.
- CAUTION** - Never leave material in hopper for long periods of time. All ice melt materials will attract atmospheric moisture and may clump together.
- WARNING** – INSPECT pins and bolts whenever attaching, detaching, and before travel. All factory installed bolts utilize lock nuts however road and operational vibrations might loosen them.
- WARNING** – INSPECT unit periodically for defects. Parts that are broken, worn, or missing must be replaced immediately. The unit or any part of it should NOT be altered in any way without prior written permission from the manufacturer.
- WARNING** – When using swing mount, **NEVER** swing spreader with material in hopper!.
- WARNING** – **NEVER** attempt to clear a jammed feed screw with the power on!
- WARNING** – **NEVER** place hands into hopper or around feed screw and spinner when power is on. Also, keep loose clothing and hair away from moving parts!
- CAUTION** – De-icing materials can be damaging to plant life and concrete. Know what you are spreading and where you are spreading it.

Blaster 350/350S

Note: Auger Extension (16) must be removed when using salt only. If it is not removed this may cause the motor to stall.



Parts List

Item	350 Part No.	350S Part No.	Qty.	Description	Item	350 Part No.	350S Part No.	Qty.	Description
	32000	37000		Blaster Assembly	22	-----	34601	1	• Baffle Plate
1	32100	32100	1	• Hopper Assembly	23	34401	34401	1	• Deflector
2	22729	22729	2	• Bolt 1/4-20 x 5/8" SS	24	34402	34402	1	• Hopper Collar
3	34407	34407	2	• Latch Hook	25	34400	34400	1	• Motor Guard
4	34200	34200	1	• Lid Assembly	26	22736	22736	4	• Bolt 1/2-13 x 3" SS
5	22725	22725	4	• Bolt 1/4-20 x 3/4" SS	27	22732	22732	4	• Locknut 1/2-13 SS
6	34408	34408	2	• Rubber Latch	28	22733	22733	8	• Flatwasher 1/2" SS
7	32200	32200	1	• Frame Assembly	29	22737	22737	18	• Bolt 3/8-16 x 1" SS
8	35001	35001	1	• Hitch Weldment	30	22735	22735	18	• Locknut 3/8-16 SS
9	34100	34110	1	• Power Weldment Assembly	31	22734	22734	35	• Flatwasher 3/8" SS
10	34101	34101	1	• Motor Mount	32	22725	-----	2	• Bolt 1/4-20 x 3/4" SS
11	34102	34102	1	• Motor	32	-----	22725	6	• Bolt 1/4-20 x 3/4" SS
12	22730	22730	4	• Bolt 3/8-16 x 1-1/4" SS	33	22727	-----	2	• Locknut 1/4-20 SS
13	22735	22735	4	• Locknut 3/8-16 SS	33	-----	22727	6	• Locknut 1/4-20 SS
	22734	22734	8	• Flatwasher 3/8" SS	34	22724	-----	2	• Flatwasher 1/4" SS
	22734	22734	8	• Flatwasher 3/8" SS	34	-----	22724	6	• Flatwasher 1/4" SS
14	34000	34010	1	• Spinner Auger Assembly		32218	32218	1	• Carton Accessory Parts
15	34001	34001	1	••• Spinner	35	34106	34106	1	•• Wire Harness
16	34004	34004	1	••• Auger	36	22800	22800	1	•• Controller
17	-----	34603	1	••• Auger Extension	37	22731	22731	1	•• Hinge Pin w/Clip
18	22725	22725	3	••• Bolt 1/4-20 x 3/4" SS		32216	32216	2	•• Tie Down Hook
19	22727	22727	3	••• Locknut 1/4-20 SS		32217	32217	2	•• Ratchet Tie Down Strap
20	22724	22724	3	••• Flatwasher 1/4" SS		-----	34602	1	• Vibrator
21	22726	22726	1	••• Set Screw 5/16" SS					
	-----	22728	1	••• Auger Extension Set Screw 5/16" SS					

Parts indented are included in the assembly under which they are indented.

INSTALLING RECEIVER MOUNT MODEL: 350/350S/750R

The Blaster 350/350S is a dedicated, Class 3, receiver (hitch) mount salt spreader. Prior to installation, be certain that the vehicle receiver is in good working order, is rated for at least a 500 lb. tongue load, and is fastened to the vehicle securely.

CAUTION - The spreader is a large heavy item that should be installed with an assistant. As with any new equipment installation read and understand all instructions prior to starting the job, and do not hurry through it. A correct installation now can save time and money later.

- 1.) Using an assistant remove the spreader unit and all loose components from the packaging and set cover aside until installation is complete. Retain original packaging for storage purposes.
- 2.) Locate the large hitch pin and cotter clip from the hardware package. Set these items aside, as they will be used later during the installation.
- 3.) Inspect the vehicles receiver tube and check for rust, dirt, or foreign debris that may have collected in it. If there are any blockages clean with compressed air and a wire brush.
- 4.) Apply good quality grease to the inside of the receiver tube, this will prevent rusting and make the spreader easier to remove at the end of the season.
- 5.) The framework will have four 1/2-13 x 3" SS Bolts already installed in the mounting holes for the stinger. Remove the 1/2-13 SS Locknuts and 1/2" SS Flatwashers and apply a light oil to the threads, this will make assembly easier; yet will not affect the locking properties of the safety nuts. Place the stinger over the bolts, replace the nuts and washers and fully tighten. (Note: The mounting tube may be placed in either the raised or lowered position by flipping the stinger over. This is owner preference) The DPS version is always installed with a downward angle for the two round stingers.
- 6.) Lift the spreader unit upright (hopper opening facing up) with mounting tube pointed toward the truck.
- 7.) Slowly slide spreader mounting tube into the vehicles receiver until the through holes in receiver match through holes in spreader. (See note below)
- 8.) Insert the large hitch pin through the receiver tube and spreader mounting tube. Secure with the cotter clip.
WARNING – The cotter clip must be in place for safe operation.
- 9.) Place the cover over the hopper and secure clamps on left and right sides.

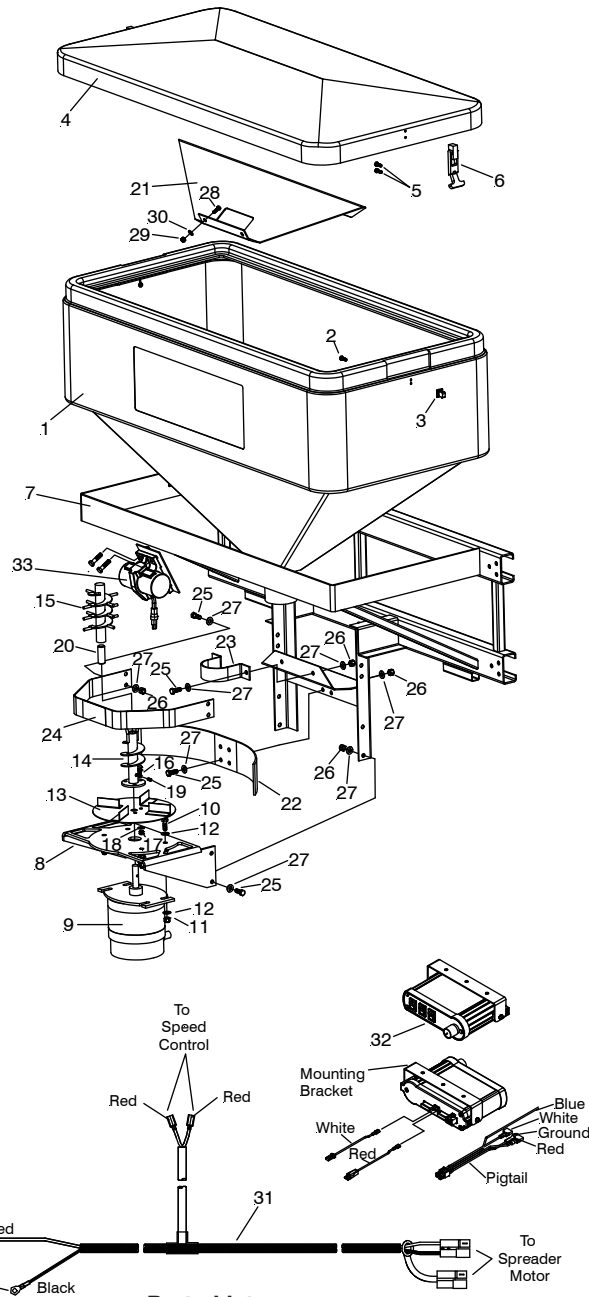
NOTE: •The spreader mounting tube has 2 pre-punched hole sets to provide some adjustment when installing the unit.
•Always use the hole set that places the unit closest to the vehicle but without touching it.

WARNING – Never attempt to drill new holes in the spreader mounting tube, contact your local trailer hitch supplier about relocating or replacing you current hitch, if mounting problems occur.

- 10.) Use the Ratchet Tie Down Strap and Tie Down Hooks to tie spreader to vehicle frame to eliminate any rocking of the spreader.

Blaster 750/750S

Note: Auger Extension (15) must be removed when using salt only. If it is not removed this may cause the motor to stall.

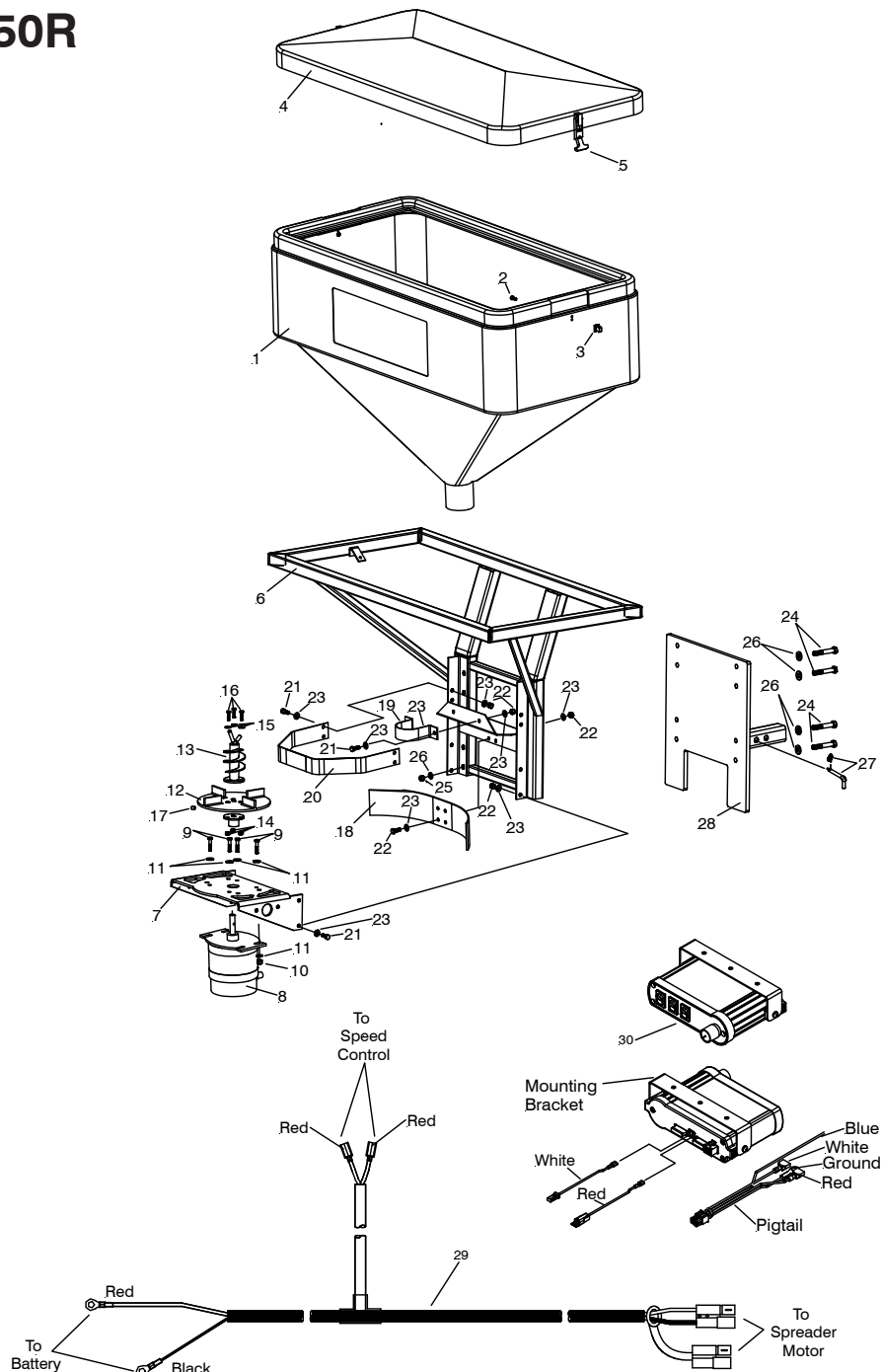


Parts List

Item	750 Part No.	750S Part No.	Qty.	Description	Item	750 Part No.	750S Part No.	Qty.	Description
1	33000	39000	1	Blaster Assembly	21	-----	34601	1	• Baffle Plate
2	33100	33100	1	• Hopper Assembly	22	34401	34401	1	• Deflector
3	22729	22729	2	• Bolt 1/4-20 x 5/8" SS	23	34402	34402	1	• Hopper Collar
4	34407	34407	2	• Latch Hook	24	34400	34400	1	• Motor Guard
5	34200	34200	1	• Lid Assembly	25	22737	22737	14	• Bolt 3/8-16 x 1" SS
6	22725	22725	4	• Bolt 1/4-20 x 3/4" SS	26	22735	22735	16	• Locknut 3/8-16 SS
7	34408	34408	2	• Rubber Latch	27	22734	22734	28	• Flatwasher 3/8" SS
8	33200	33200	1	• Frame Assembly	28	22725	-----	2	• Bolt 1/4-20 x 3/4" SS
9	34100	34110	1	• Power Weldment Assembly	28	-----	22725	6	• Bolt 1/4-20 x 3/4" SS
10	34101	34101	1	• Motor Mount	29	22727	-----	2	• Locknut 1/4-20 SS
11	34102	34102	1	• Motor	29	-----	22727	6	• Locknut 1/4-20 SS
12	22730	22730	4	• Bolt 3/8-16 x 1-1/4" SS	30	22724	-----	2	• Flatwasher 1/4" SS
13	22735	22735	4	• Locknut 3/8-16 SS	30	-----	22724	6	• Flatwasher 1/4" SS
14	22734	22734	8	• Flawasher 3/8" SS		33218	33218	1	• Carton Accessory Parts
15	34000	34010	1	• Spinner Auger Assembly	31	34106	34106	1	• Wire Harness
16	34001	34001	1	••• Spinner	32	22800	22800	1	••• Controller
17	34004	34004	1	••• Auger	33	-----	34602	1	• Vibrator
18	-----	34603	1	••• Auger Extension					
19	22725	22725	3	••• Bolt 1/4-20 x 3/4" SS					
20	22727	22727	3	••• Locknut 1/4-20 SS					
21	22724	22724	3	••• Flawasher 1/4" SS					
22	22726	22726	1	••• Set Screw 5/16" SS					
23	22728	22728	1	••• Auger Extension Set Screw 5/16" SS					

Parts indented are included in the assembly under which they are indented.

Blaster 750R



Parts List

Item	Part No.	Qty.	Description	Item	Part No.	Qty.	Description
	33750	1	Blaster Assembly 750R	18	34401	1	• Deflector
1	33100	1	• Hopper Assembly	19	34402	1	• Hopper Collar
2	22729	6	•• Bolt 1/4-20 x 5/8" SS	20	34400	1	• Motor Guard
3	34407	2	•• Latch Hook	21	22737	14	• Bolt 3/8-16 x 1" SS
4	34200	1	• Lid Assembly	22	22735	16	• Locknut 3/8-16 SS
5	34408	2	•• Rubber Latch	23	22734	28	• Flatwasher 3/8" SS
6	32200	1	• Frame Assembly	1	32216	1	• Ratchet Tie Down Strap
	34100	1	• Power Weldment Assembly	1	32217	1	• Tie Down Hook
7	34101	1	•• Motor Mount		34608	1	• Hardware Bag
8	34102	1	•• Motor	24	22736	8	•• Bolt H 1/2-13 x 3" SS
9	22730	4	•• Bolt 3/8-16 x 1-1/4" SS	25	22732	8	•• Locknut 1/2-13 SS
10	22735	4	•• Locknut 3/8-16 SS	26	22733	16	•• Flatwasher 1/2" SS
11	22734	8	•• Flawasher 3/8" SS	27	22731	1	• Hitch pin w/clip
	34000	1	•• Spinner Auger Assembly	28	35010	1	• Hitch Weldment
12	34001	1	•• Spinner	29	34106	1	• Wire Harness
13	34004	1	••• Auger	30	22800	1	• Controller
14	22727	3	••• Locknut 1/4-20 SS				
15	22724	3	••• Flawasher 1/4" SS				
16	22725	3	••• Bolt 1/4-20 x 3/4" SS				
17	22726	1	••• Set Screw 5/16" SS				

Parts indented are included in the assembly under which they are indented.

ELECTRICAL INSTALLATION FOR ALL BLASTER SERIES SPREADERS

- 1.) Locate the wire harness and begin to route it from the rear of the vehicle to the front. The molded rubber plug indicates the rear of the harness, closest to the spreader. Use frame holes and frame supports as lashing points. Do not attach to fuel or brake lines. Avoid wire-runs along exhaust system or hot engine parts. Melting damage to the harness can occur in the proximity of extreme heat.
- 2.) Mount the rubber plug under the rear bumper. Position this plug toward the center of the vehicle.
- 3.) Place the Harness portion that connects to the battery along the firewall and fender well, but do not connect yet.
- 4.) Drill a 1" diameter hole through the firewall. This hole will be used to route the controller portion of the harness into the vehicle. Before drilling always check to see what is on the other side.
- 5.) Push the controller portion of harness through the hole in the firewall that was previously drilled. NOTE: The controller end will have 2 plugs on it, but only 1 plug can pass through the firewall at a time.
- 6.) Move to engine compartment. Connect power leads to battery: RED WIRE (+) positive, BLACK WIRE (-) negative. Coat the connections with dielectric grease to prevent corrosion and build up. Check harness marked 'battery' for voltage by temporarily removing the red tape affixed to it.
- 7.) Connect the blue wire from pigtail to brake light. Connect white wire from pigtail to optional vibrator harness if equipped. Connect red wire on pigtail to a 12 volt keyed accessory. Connect black ground wire to ground. Connect white jumper wire to the back of the controller marked motor white wire. Connect red jumper wire to the back of the controller marked battery red wire wire. The two red wires from the main connector can now be connected to the two jumper wires. (Note: wires will only connect one way) ANY ATTEMPT TO JOIN THE CONNECTORS IMPROPERLY, FOR EXAMPLE MALE TO MALE, COULD SHORT OUT THE CONTROLLER.
Misconnection resulting in a damaged controller is not covered by warranty.
- 8.) Select a suitable location to mount the controller. After mounting verify that the power switch is in the off position.
- 9.) Coil excess wire and use wire ties to secure it to a safe location.
- 10.) Mate the plug coming from the spreader unit to the plug previously installed under the rear bumper.
- 11.) Make sure that feed screw/spinner area of the spreader is clear of obstructions. Turn power on at the controller and verify that the spreader is operating in all modes. Looking down on the impeller from the rear of the vehicle, determine that the impeller is turning counter-clockwise. Unit may now be operated.

OPERATING THE SPREADER

Before using the spreader read and understand all aspects of this operators manual.

PREPARATION

CAUTION – Sweep area clear of foreign objects or obstacles that could cause personal injury. Keep other persons and animals out of area to be spread.

SPREADER LOADING

Your spreader will come equipped with a cover that will protect your de-icing material from rain or snow; this can be removed simply by detaching the holding clamps on the sides of the hopper.

WARNING – Do not overload vehicle. Below is a chart to calculate weight of materials.

<u>MATERIAL</u>	<u>WEIGHT PER CUBIC FT.</u>
Rock Salt	35-40 lbs.
Coarse Sand	85-90 lbs.

WARNING – NEVER leave materials in hopper for long periods of time as de-icing materials will attract atmospheric moisture and may clump together.

Always replace cover after filling to prevent saturation of material from snow or rain.

OPERATING THE SPREADER

The controller is equipped with: on/off switch, lighted dial, rotary speed control, and a blast switch.

To start spreader, be sure vehicle is running to prevent battery from wearing down, flip the switch from off to on. The spreader will power up to full power for approx. one second then drop to wherever the dial has the speed set at. Spreader switch must be flipped to the off position when vehicle is turned off to prevent the vehicle battery from wearing down.

Adjust the speed of the unit by rotating the dial clockwise for faster and counterclockwise for slower.

The burst switch is a momentary full power override, use this if you require a heavier pass in certain areas.

If there are any problems while operating the spreader refer to the troubleshooting guide on page 8.

SPREADING HINTS

Never exceed 10 M.P.H. when spreading.

For a wider pass, increase spinner speed.

For a heavier pass, drive more slowly.

Never operate spreader around people and calculate spread pattern around vegetation.

SPREADER MAINTENANCE

WARNING – Disconnect power to spreader before servicing.

CAUTION – Do not attempt to service control unit. It is a solid-state electronic device and has no user serviceable parts; any attempt to do so will void warranty.

CAUTION - The electric motor is sealed and should not be taken apart for any reason. Disassembly of the motor will void warranty.

CAUTION – When replacing parts use only Meyer Products approved parts or risk voiding warranty.

Use dielectric grease on all electrical connections, before and after each season and whenever the plugs are disconnected. This will ensure long life for the contacts and prevent corrosion.

Wash unit after each use to prevent material build-up and corrosion.

Periodically inspect the motor seal located around the shaft and look for cracks or splits. If seal is damaged or missing contact the manufacturer for a replacement.

At the end of the season thoroughly clean all parts and paint or oil all bare metal surfaces (except for hopper and spinner which are stainless steel and do not require painting). Using a paste wax on the inside of the hopper will help material flow smoothly.
OIL SHAFT AT MOTOR BASE TO PREVENT RUST DURING NON-USE.

TROUBLESHOOTING

If your spreader is not operating properly, take it to your local Meyer Products Distributor for maintenance or service. However, that is not always possible, so below on this page you will find a troubleshooting guide, which can assist you in determining the problem.

WARNING – Before performing any service read and understand all safety guidelines stated in this manual.

BEFORE CALLING YOUR DEALER

Be sure all electrical connections are clean and tight.

Be sure vehicle power supply is working properly (battery charged)

Check the hopper for a jammed feed screw.

PROBLEM	POSSIBLE CAUSE	SOLUTION
Motor does not run.	Loose electrical connection.	Check all electrical connections.
Shut Down,	Auger or spinner jammed Jammed auger. Poor electrical connections. Electrical short.	Carefully remove jammed material. Carefully remove jammed material. Clean or replace connectors. Look for bare or loose wires.
Material will not feed.	Controller bad. No material in the hopper. Material is wet. Frozen or coarse material. Auger loose on motor shaft.	Replace controller. Fill hopper. Replace with dry material. Replace material. Tighten setscrew on side if auger. There is a flat machined into the motor shaft, this set screw must tighten onto that flat.

MEYER BLASTER SPREADER WARRANTY

Meyer Products, LLC, warrants to the original purchaser of Meyer® brand products that they will be free from defects in materials or workmanship, with the exceptions stated below. No person is authorized to change this warranty or to create any additional warranty on Meyer® products.

This warranty runs for a period of two years from the date of purchase on any purchase of a complete Blaster Spreader Package. If the Package is registered on-line at www.meyerproducts.com within sixty (60) days of purchase, your warranty for the Package will be extended for a period of one year and you will also receive a warranty for a period of five years from the date of purchase on Structural Steel and Poly Hopper. All foregoing warranties apply only to an original purchaser of the product if the product is installed by an authorized Distributor/Sub-Distributor and terminate if the product is sold or otherwise transferred. Some states do not allow limitations on how long an implied warranty lasts, so the above limitation may not apply to you.

- Problems caused by failure to follow the product instructions, failure to maintain the product as described in the Operator's Manual;
- Problems caused by contamination or damage resulting from rust, corrosion, freezing or overheating;
- Paint, or expendable spreader parts such as Auger or Spinner
- Damage to any vehicle to which the products are mounted;
- Damage caused by usage that is not in accordance with product instructions (use of the spreader for any purpose other than spreading salt/sand is considered misuse and abuse);
- Any spreader, or any part, component, or assembly thereof, which has been modified or altered;
- Problems caused by using accessories, parts, or components not supplied by Meyer Products;
- Cost of tax, freight, transportation or storage charges, environmental charges, solvents, sealants, lubricants or any other normal shop supplies.
- Problems caused by collision, fire, theft, vandalism, riot, explosion, lightning, earthquake, windstorm, hail, water, flood, or any other Acts of God;
- Liability for damage to property, or injury to, or death of any person arising out of the operation, maintenance or use of the covered product;
- Products with missing or altered serial numbers;

The original purchaser's sole and exclusive remedy against Meyer Products and its Distributors and Sub-Distributors, and Meyer Products' sole obligation for any and all claims, whether for breach of contract, warranty, tort (including negligence) or otherwise shall be limited to providing, through its authorized Distributor/Sub-Distributor network, all labor and/or parts necessary to correct such defects free of charge. Any cost incurred in returning the product to an authorized Meyer® Distributor/Sub-Distributor is the responsibility of the original purchaser. ALL EXPRESS AND IMPLIED WARRANTIES FOR THE PRODUCT, INCLUDING, WITHOUT LIMITATION, ANY IMPLIED WARRANTIES OF MERCHANTABILITY AND FITNESS FOR A PARTICULAR PURPOSE, ARE LIMITED IN TIME TO THE TERM OF THE LIMITED WARRANTY PERIOD. NO WARRANTIES, WHETHER EXPRESS OR IMPLIED, WILL APPLY AFTER THE LIMITED WARRANTY PERIOD HAS EXPIRED. Meyer Products disclaims liability beyond the remedies provided for in this limited warranty, and disclaims all liability for incidental, consequential, and special damages, including, without limitation, any liability for third-party claims against you for damages, for products not being available for use, or for lost profits. Meyer Products' liability will be no more than the amount you paid for the product that is the subject of a claim; this is the maximum amount for which we are responsible. Some states do not allow the exclusion or limitation of incidental or consequential damages, so the above limitation or exclusion may not apply to you. A complete Blaster Spreader Package consists of the Spreader Assembly, operating controller, Spreader Frame and all related items. Structural elements consist of the Spreader Frame, Mounting and Poly Hopper.

Meyer Products will repair any product that proves to be defective in materials or workmanship. In the event repair is not possible or practical (as determined by Meyer Products in its sole discretion), Meyer Products will either replace the product with a new product of similar model and price, or refund the full purchase price, as determined by Meyer Products.

Customer must keep the complete Blaster Spreader Package serviced/maintained as recommended by Meyer Products. A written record of service must be maintained, along with receipts for maintenance materials purchased. A copy of the maintenance record and pertinent receipts may be requested in the event of a claim.

In order to obtain service under this warranty, the original purchaser must:

- Use all reasonable means to protect the complete Blaster Spreader package from further damage;
- Return the claimed defective part to the Meyer® Distributor/Sub-Distributor from whom the product was purchased or to any authorized Meyer® Distributor/Sub-Distributor, transportation and freight charges prepaid. Only Meyer® Distributors/Sub-Distributors are authorized to perform the obligations under this warranty. For the address and telephone number of the Meyer® Distributor/Sub-Distributor nearest you, check the telephone directory, go to www.meyerproducts.com, write us at the address below, or call (216) 486-1313 for assistance;
- Provide maintenance record and receipts for required maintenance, if requested;
- Allow inspection of damaged parts and/or complete Blaster Spreader package if deemed necessary by Meyer Products.
- It is the responsibility of the original purchaser to establish the warranty period by verifying the original delivery date. A bill of sale/sales receipt, cancelled check or some other appropriate payment record may be kept for that purpose.

This warranty gives you specific legal rights, and you may also have other rights which vary from state to state.

How to register your Meyer Blaster Spreader to receive the ROC Solid Warranty Go to www.meyerproducts.com and click on the link to register your plow. Fill out the information on the form as required.

Meyer Products LLC
18513 Euclid Ave. • Cleveland, Ohio 44112-1084
Phone 486-1313 (Area Code 216)
www.meyerproducts.com • email info@meyerproducts.com



Meyer Products LLC
6 Angell Lane • Damariscotta, ME 04543-4507
Phone 563-2227 (Area Code 207)
www.meyerproducts.com • email info@meyerproducts.com