



# 50-FT. TRIPLE TAP CORD REEL

## OWNER'S MANUAL



### **WARNING:**

Read carefully and understand all **ASSEMBLY AND OPERATION INSTRUCTIONS** before operating. Failure to follow the safety rules and other basic safety precautions may result in serious personal injury.

**Item# 20643**

Thank you very much for choosing a Klutch™ product! For future reference, please complete the owner's record below:

Model: \_\_\_\_\_ Purchase Date: \_\_\_\_\_

Save the receipt, warranty and these instructions. It is important that you read the entire manual to become familiar with this product before you begin using it.

This machine is designed for certain applications only. The distributor cannot be responsible for issues arising from modification. We strongly recommend this machine not be modified and/or used for any application other than that for which it was designed. If you have any questions relative to a particular application, DO NOT use the machine until you have first contacted the distributor to determine if it can or should be performed on the product.

For technical questions please call **1-800-222-5381**.

## INTENDED USE

This heavy-duty 50ft. power cord reel is suitable for your professional use. The guide arm adjusts to wall, floor & overhead position. Multi-position lock ratchet secures cord at desired length; non-corrosive stainless steel spring, pawl & zinc plated ratchet.

## TECHNICAL SPECIFICATIONS

Item	Description
Cord specifications	50ft., SJTOW 12 AWG x 3C
Construction	Heavy-duty steel cord reel
Ratings	15 Amp, 125V AC, 60Hz
Dimensions	14in. x 8.3in. x 5.7in.

## GENERAL SAFETY RULES



**WARNING:** Read and understand all instructions. Failure to follow all instructions listed below may result in serious injury.



**CAUTION:** Do not allow persons to operate or assemble the cord reel until they have read this manual and have developed a thorough understanding of how the cord reel works.



**WARNING:** The warnings, cautions, and instructions discussed in this instruction manual cannot cover all possible conditions or situations that could occur. It must be understood by the operator that common sense and caution are factors which cannot be built into this product, but must be supplied by the operator.

## SAVE THESE INSTRUCTIONS

When attempting to install, operate or maintain this product, only qualified personnel should undertake the installation and commissioning of this product. Failure to comply with instructions could result in personal injury and/or property damage.

Follow recommended application information and recommended procedures for installation and care of this cord reel. Maintenance and storage of reel assembly is essential; improper care of the swivel, hose, couplings or assemblies may result in failure to perform properly and may result in damage to property and serious bodily injury

Follow good maintenance practices - establish a program of inspection, testing and replacement of reel components, accessories and or brackets, considering the following factors:

- Severity of application
- Frequency of equipment use
- Past performance of reel components

Only properly trained persons should inspect a reel. Document maintenance.

## **OPERATIONAL WARNINGS**

- Exercise care when handling the cable reel during normal operation. Cable reels have a rotating drum powered by a spring under tension.
- Do not use cable different than what is supplied with this reel. Changes in diameter, weight per foot, length of cable or flexibility will affect the operation of the reel.
- Mounting hardware and fasteners should be installed to maintain tightness under vibration and checked periodically to ensure tightness. Mounting hardware and fasteners not included.

## **INSTALLATION**



**WARNING:** This cord reel is intended for industrial use and is provided with permanent mounting means. This equipment should be properly installed before use in accordance with local codes and ordinances.

- Overhead installation mountings should be such that the reel is not supported by bolts in tension. A safety chain, cable, enclosure or netting is strongly recommended to minimize damage and/or possible injury in the event of a mounting failure.

Modification of the equipment may cause excessive wear and will void the warranty, especially regarding changes or modifications of equipment which could affect reliability or safety.



**WARNING:** Do not disassemble a spring motor for any reason! Serious personal injury could result. Reels are equipped with a spring under tension.

## PERSONAL SAFETY

Ensure reel has been properly installed before connecting the supply line. Before connecting to reel, be certain supply line does not exceed rated parameters of the cable reel or voltage / amperage rating. Perform "Operational Check" per instructions to ensure reel is operating properly.

## SPECIFICATIONS & LISTINGS



**WARNING:** Prevent static sparking. Ensure the cord reel and cable are properly grounded.



**WARNING: READ THESE INSTRUCTIONS CAREFULLY BEFORE ATTEMPTING TO INSTALL, OPERATE, OR MAINTAIN THIS PRODUCT. ONLY QUALIFIED PERSONNEL SHOULD UNDERTAKE THE INSTALLATION AND COMMISSIONING OF THIS PRODUCT; FAILURE TO COMPLY WITH INSTRUCTIONS COULD RESULT IN PERSONAL INJURY AND/OR PROPERTY DAMAGE.**

- Ensure reel has been properly installed before connecting supply line. Note. Reel should NOT be installed above 15 feet maximum from the floor.
- Before connecting reel to power supply insure source is compatible with specifications of the reel.
- Perform "Operational Check" per instructions to ensure reel is operating properly. NEVER use a spring retractable reel that is not performing as intended.
- Inspect for frayed, worn, or lacerated cables prior to using reel.
- Always pull on cord/cable itself. Never pull on the attachment.

## ADJUSTING GUIDE ARM

- Reel is supplied with guide arm.
- Guide arm may be adjusted to desired location as shown in figure 1.0.
- Pull out cable until reel latches.
- Remove bolts holding guide arm to support base.
- Reposition guide arm and securely fasten bolts.
- To mount reel to a solid structure you will need 7/16in. or M12 bolts (not included).

## MOUNTING REEL

**ONLY QUALIFIED PERSONNEL SHOULD UNDERTAKE THE INSTALLATION AND COMMISSIONING OF THIS PRODUCT; FAILURE TO COMPLY WITH INSTRUCTIONS COULD RESULT IN PERSONAL INJURY AND/OR PROPERTY DAMAGE.**

## INSTALLATION AND MAINTENANCE MANUAL

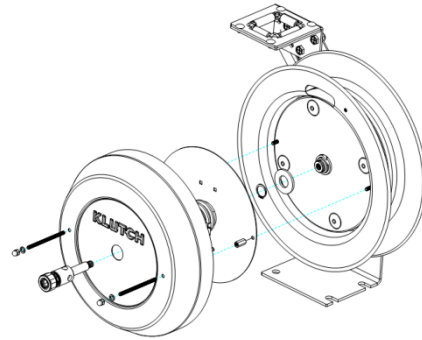
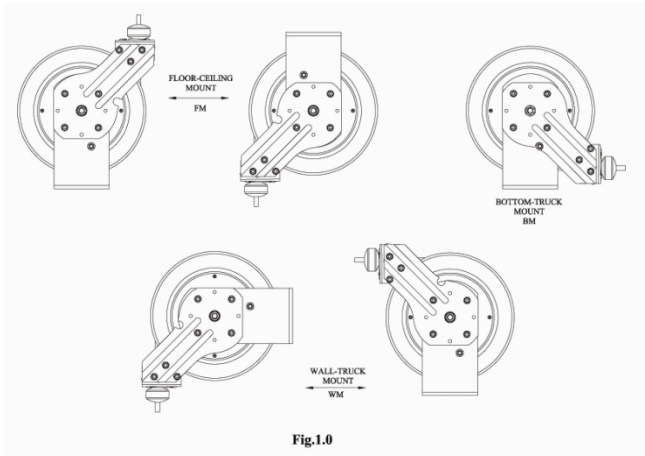


Fig. 2.0

### OPERATIONAL CHECK

- Check reel for correct operation by slowly pulling out cable. A clicking noise will be heard after each half revolution of the drum.
- LATCH the reel. Pull out the cable and allow it to slightly retract after the first, second or third "click" is heard.
- UNLATCH the reel. Slowly pull the cable until the clicking noise stops, and then allow the cable to retract. The hose stopper should rest against the roller hose guide.

**CAUTION: DO NOT ALLOW CABLE TO RETRACT WITHOUT RESTRAINING RECOIL SPEED. NEVER LET GO OF THE CABLE WHEN REWINDING.**

- Apply power to reel. Periodically check cable for improper wear.
- Reels are shipped with approximately three pre-wraps of tension. This is adequate for most applications. However, if your application requires more or less tension, see "Spring Tension Adjustment" instructions.

### SPRING TENSION ADJUSTMENT

- Remove power from reel prior to making spring adjustments.
- Pull out approximately 6 feet (2m) of cable and latch the drum.

Add or subtract one wrap of cable as desired to acquire the proper tension on the reel.

**NOTE:** Spring tension adjustment is accomplished by adding wraps of cable around the drum (to increase tension) or subtracting wraps of cable (to decrease tension)

**CAUTION:** Improper tensioning of spring or adding too many pre-wraps may cause damage to the spring mechanism. Only authorized personnel should make adjustments.

- Unlatch drum and check for proper tension.
- Connect power source.



**WARNING:** Use extreme caution when operating or servicing cable reels. Personal injury or death can occur even under low voltage! Only qualified service technicians should troubleshoot and repair these products.

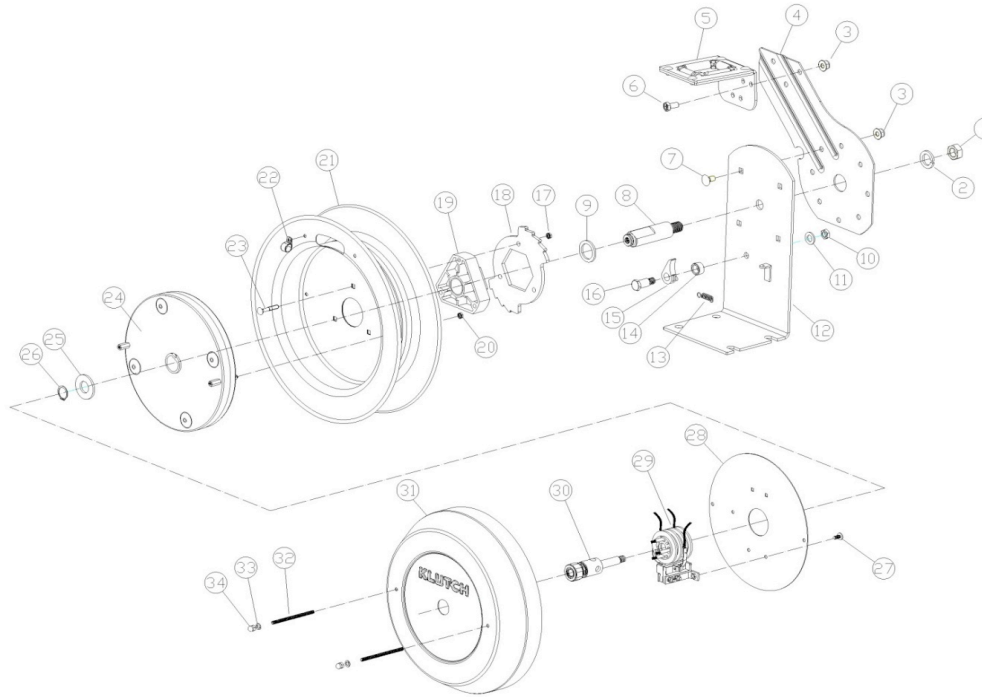
- Observe all applicable NEC, OSHA, and local codes when operating or installing these products.
- **NOTE:** Consider work area location when adjusting arm and permanently installing reel. Reel should be placed so that cord exits rollers at approximately zero degrees perpendicular. Avoid contact of cord at corners of roller guide Pull cord straight out rollers when preparing for use and feed cord back through center of rollers to coil up on reel. Use free hand to help guide cord at entrance of roller guide.
- **CAUTION:** Failure to adhere to above note may cause undue abrasion of cord and/or sticking of cord at corners.

### TROUBLE SHOOTING GUIDE

TROUBLE	CAUSE	REMEDY
<b>CABLE WILL NOT FULLY RETRACT</b>	<ul style="list-style-type: none"> <li>a) Outlet attachment is too heavy.</li> <li>b) Spring is fatigued.</li> </ul>	<ul style="list-style-type: none"> <li>a) Add spring tension. See "Spring Tension Adjustment".</li> <li>b) Add spring tension. See "Spring Tension Adjustment".</li> </ul>
<b>CABLE WILL NOT RETRACT AT ALL</b>	<b>Spring has lost all tension or has possibly broken.</b>	a) Reinstall Spring Tension
<b>REEL WILL NOT LATCH</b>	a) Incurred operation	a) Reel latches on first, second, third or fourth "click." After forth "click," it automatically rewinds.
<b>NO ELECTRICAL POWER AT OUTPUT END OF CABLE.</b>	<ul style="list-style-type: none"> <li>a) Wires are severed.</li> <li>b) Wires have become disconnected.</li> </ul>	<ul style="list-style-type: none"> <li>a) Replace.</li> <li>b) Check all connections ensuring they are properly wired..</li> </ul>
<b>BREAKER OR USE REPEATEDLY BLOWN.</b>	<ul style="list-style-type: none"> <li>a) Application does not conform to the electrical rating of the reel.</li> <li>b) Wires are broken or shorted.</li> </ul>	<ul style="list-style-type: none"> <li>a) Check electrical rating on reel label Do not attempt to use a reel that is not rated properly for the application.</li> <li>b) Check wiring path on reel to determine if wires are broken or shorted.</li> </ul>

<p><b>CABLE REEL IS NOT PROVIDING ADEQUATE GROUND (SD REELS)</b></p>	<p>a) Cable or reel has become damaged or worn.</p> <p>b) Cable or reel was not installed properly.</p>	<p>a) Review ground path and correct problem. Use meter to inspect.</p> <p>b) Review installation procedure and correct problem.</p> <p>Note: Do not use reels until a proper ground is provided.</p>
<p><b>REEL RETRACTS TOO FAST</b></p>	<p>a) Reel is improperly tensioned.</p>	<p>a) Decrease spring tension. See "Spring Tension Adjustment"</p> <p>Note: When weather is extremely hot, reel will operate slightly faster than under normal conditions This function is normal.</p>
<p><b>CABLE LOCKS UP WHEN FULLY EXTENDED</b></p>	<p>Cable damp is in the incorrect position.</p>	<p>Relocate cable clamp to optional location.</p>

## DIAGRAM & PARTS LIST



No.	Description	No.	Description
1	M16 Hexagon nut	18	Ratchet Wheel
2	M16 Spring gasket	19	Plastic piece for Ratchet Wheel
3	M8 Nut	20	M5 Nut
4	Roller Guide Bracket	21	Right Drum
5	Roller Guide Assembly	22	Cord Clip
6	M8 hexagonal screw	23	Semicircle Carriage Bolts
7	M8 Semicircle Carriage Bolts	24	Main Spring Assembly
8	Big Axis	25	Gasket
9	Metal Gasket	26	Circlip
10	M10 Nut	27	Fixed Screw
11	M10 Flat Gasket	28	Fixed Plate
12	L shape Support	29	Electronic Bushing Assembly
13	Ratchet Spring	30	Wire Connector
14	Ratchet Bushing	31	Cover
15	Ratchet	32	Fixed Screw for Cover
16	Ratchet Axis	33	M5 Spring Gasket
17	M6 Nut	34	M5 Round Head Hex Nuts

For replacement parts and technical questions, please call **1-800-222-5381**.

## **WARRANTY**

**One-year limited warranty**



Distributed by  
Northern Tool + Equipment Co., Inc.  
Burnsville, Minnesota 55306  
NorthernTool.com  
Made in China