



NORTHERN
TOOL + EQUIPMENT

Adjustable Shop Stool with Backrest

Owner's Manual



⚠ WARNING: Read carefully and understand all ASSEMBLY AND OPERATION INSTRUCTIONS before operating. Failure to follow the safety rules and other basic safety precautions may result in serious personal injury.

Item #20230

SAVE THESE INSTRUCTIONS

Thank you very much for choosing a Northern Tool & Equipment™ product!

For future reference, please complete the owner's record below:

Serial Number/Lot Date Code: _____

Purchase Date: _____

Save the receipt, warranty, and this manual. It is important that you read the entire manual to become familiar with this product before you begin using it.

This stool is designed for certain applications only. Northern Tool & Equipment is not responsible for issues arising from modification or improper use of this product such as an application for which it was not designed. We strongly recommend that this product not be modified and/or used for any application other than that for which it was designed.

For technical questions, please call **1-800-222-5381**.

Table of Contents

Intended Use.....4

Technical Specifications4

Important Safety Information4

Specific Operation Warnings5

Main Parts of Product5

Parts Diagram6

Parts List6

Assembly Instructions.....7

Replacement Parts7

Limited Warranty8

Intended Use

The Northern Tool & Equipment Adjustable Shop Stool with Backrest adjustable stool with a padded 14 inch diameter seat, vinyl seat rotates 360°. Height is easily adjusted by one hand.

Technical Specifications

Property	Specification
Overall Dimensions	20" x 20" x 29.5"
Seat	14 in.
Height Adjustment	4.5 in.
Material	Steel
Rated Load Capacity	275 lbs.

Important Safety Information

⚠WARNING

- Read and understand all instructions. Failure to follow all instructions may result in serious injury or property damage.
- The warnings, cautions, and instructions in this manual cannot cover all possible conditions or situations that could occur. Exercise common sense and caution when using this tool. Always be aware of the environment and ensure that the tool is used in a safe and responsible manner.
- Do not allow persons to operate or assemble the stool until they have read this manual and have developed a thorough understanding of how it works.
- Do not modify this product in any way. Unauthorized modification may impair the function and/or safety and could affect the life of the product. There are specific applications for which the stool was designed.
- Use the right tool for the job. DO NOT attempt to force small equipment to do the work of larger industrial equipment. There are certain applications for which this equipment was designed. It will do the job better and more safely at the capacity for which it was intended. DO NOT use this equipment for a purpose for which it was not intended.
- Industrial or commercial applications must follow OSHA requirements.

⚠WARNING

This product may contain chemicals known to the State of California to cause cancer, birth defects or other reproductive harm.

⚠WARNING

PERSONAL SAFETY

- Wear the proper personal protective equipment when necessary. Use ANSI Z87.1 compliant safety goggles (not safety glasses) with side shields, or when needed, a face shield. Use a dust mask in dusty work conditions. Also use non-skid safety shoes, hardhat, gloves, dust collection systems, and hearing protection when appropriate. This applies to all persons in the work area.
- Do not overreach. Keep proper footing and balance at all times.

⚠ CAUTION

STOOL USE AND CARE

- Do not force the stool. Products are safer and do a better job when used in the manner for which they are designed. Plan your work, and use the correct product for the job.
- Check for damaged parts before each use. Carefully check that the stool will operate properly and perform its intended function. Replace damaged or worn parts immediately. Never operate the stool with a damaged part.
- Store the stool when it is not in use. Store it in a dry, secure place out of the reach of children. Inspect the tool for good working condition prior to storage and before re-use.
- Use only accessories that are recommended by the manufacturer for use with your stool. Accessories that may be suitable for one product may create a risk of injury when used with another tool. Never use an accessory that has a lower operating speed or operating pressure than the tool itself.

Specific Operation Warnings

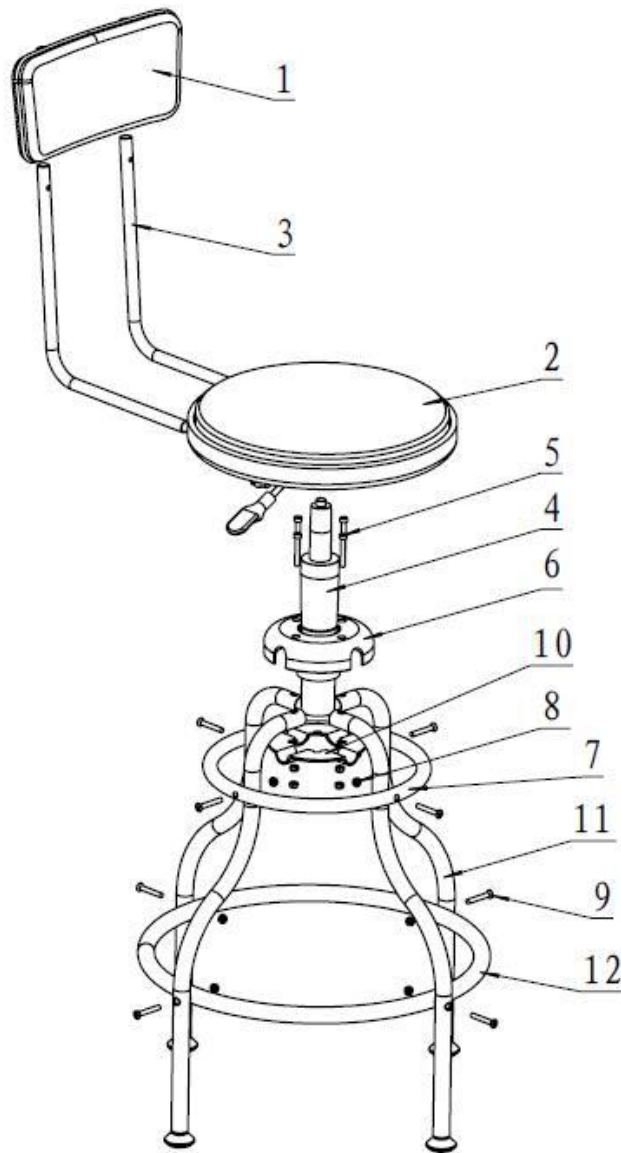
⚠ WARNING

- Do not exceed the rated load capacity.
- Do not use the seat as a step stool.

Main Parts of Product

Reference	Subassembly
1	Legs
2	Air-cylinder
3	Seat
4	Foot ring
5	Backrest
6	Backrest support
7	Connector

Parts Diagram



Parts List

Part Number	Item Description	Qty.
1	Back support	1
2	Seat	1
3	"L" shaped support	2
4	Hydraulic cylinder	1
5	Hex bolt M6	4
6	Connector	1
7	Ring	1
8	M6 locking nut	12
9	Bolt M6	8
10	Connector plate	1
11	Legs	4
12	Ring	1

Assembly Instructions

⚠WARNING

- Keep assembly area clean and well-lit.
- Do not assemble when tired or when under the influence of alcohol, drugs, or medication.
- Keep bystanders out of the area during assembly.
- All of the bolts should have their heads facing outside, with all of the nuts on the inside of the frame.

Assembly Steps

1. Place one of the legs into the aluminum bracket holder aligning the holes. Insert one of the M6 hex bolts through the aligned holes. Turn the aluminum bracket over so the threads of the bolt are facing up, then place the round metal disc over the single bolt. Fasten using the M6 nut. Do not completely fasten at this time. Continue the steps above until all four legs are mounted into the aluminum bracket.
2. Turn the bar stool over onto all four legs.
3. Place the large round support ring **INSIDE** all four legs aligning the holes. Insert one of the M6 bolts through the aligned holes. Fasten using the M6 nut. Repeat this process with the remaining three legs. Do not completely fasten.
4. Place the smaller round support on the **OUTSIDE** of all four legs aligning the holes. Insert one of the M6 bolts through the aligned holes. Fasten using the M6 nut. Repeat this process with the remaining three legs.
5. Completely tighten all bolts.
6. Insert the cylinder into the aluminum bracket. The raised plastic of the cylinder will be facing up when inserted correctly.
7. Place the seat over the hydraulic cylinder. Sit on the seat to ensure that the metal plate is secure on the hydraulic cylinder.
8. Place the "L" shape back supports into the back of the seat.
Note: the back supports can only be inserted from one direction. Also make sure the screws are completely loosened before inserting. Repeat the same step on the opposite side.
9. Place the cushioned back support over the "L" shaped supports. Note that the push buttons must be pressed before the back cushion will slide all the way down.
10. Go back and completely tighten all fasteners.

Replacement Parts

- For replacement parts and technical questions, please call Customer Service at **1-800-222-5381**.
- Not all product components are available for replacement. The illustrations provided are a convenient reference to the location and position of parts in the assembly sequence.
- When ordering parts, the following will be required: item model number, Item Serial Number/Item Lot Date Code, Item Description, and the Replacement Part Number.
- The distributor reserves the rights to make design changes and or improvements to product lines and manuals without notice.

Limited Warranty

Northern Tool and Equipment Company, Inc. ("We" or "Us") warrants to the original purchaser only ("You" or "Your") that the NTE product purchased will be free from material defects in both materials and workmanship, normal wear and tear excepted, for a period of one year from date of purchase. The foregoing warranty is valid only if the installation and use of the product is strictly in accordance with product instructions. There are no other warranties, express or implied, including the warranty of merchantability or fitness for a particular purpose. If the product does not comply with this limited warranty, Your sole and exclusive remedy is that We will, at our sole option and within a commercially reasonable time, either replace the product or product component without charge to You or refund the purchase price (less shipping). This limited warranty is not transferable.

Limitations on the Warranty

This limited warranty does not cover: (a) normal wear and tear; (b) damage through abuse, neglect, misuse, or as a result of any accident or in any other manner; (c) damage from misapplication, overloading, or improper installation; (d) improper maintenance and repair; and (e) product alteration in any manner by anyone other than Us, with the sole exception of alterations made pursuant to product instructions and in a workmanlike manner.

Obligations of Purchaser

You must retain Your product purchase receipt to verify date of purchase and that You are the original purchaser. To make a warranty claim, contact Us at 1-800-222-5381, identify the product by make and model number, and follow the claim instructions that will be provided. The product and the purchase receipt must be provided to Us in order to process Your warranty claim. Any returned product that is replaced or refunded by Us becomes our property. You will be responsible for return shipping costs or costs related to Your return visit to a retail store.

Remedy Limits

Product replacement or a refund of the purchase price is Your sole remedy under this limited warranty or any other warranty related to the product. We shall not be liable for: service or labor charges or damage to Your property incurred in removing or replacing the product; any damages, including, without limitation, damages to tangible personal property or personal injury, related to Your improper use, installation, or maintenance of the product or product component; or any indirect, incidental or consequential damages of any kind for any reason.

Assumption of Risk

You acknowledge and agree that any use of the product for any purpose other than the specified use(s) stated in the product instructions is at Your own risk.

Governing Law

This limited warranty gives You specific legal rights, and You also may have other rights which vary from state to state. Some states do not allow limitations or exclusions on implied warranties or incidental or consequential damages, so the above limitations may not apply to You. This limited warranty is governed by the laws of the State of Minnesota, without regard to rules pertaining to conflicts of law. The state courts located in Dakota County, Minnesota shall have exclusive jurisdiction for any disputes relating to this warranty.



Distributed by:

Northern Tool & Equipment Company, Inc.

Burnsville, Minnesota 55306

www.northerntool.com

Made in China