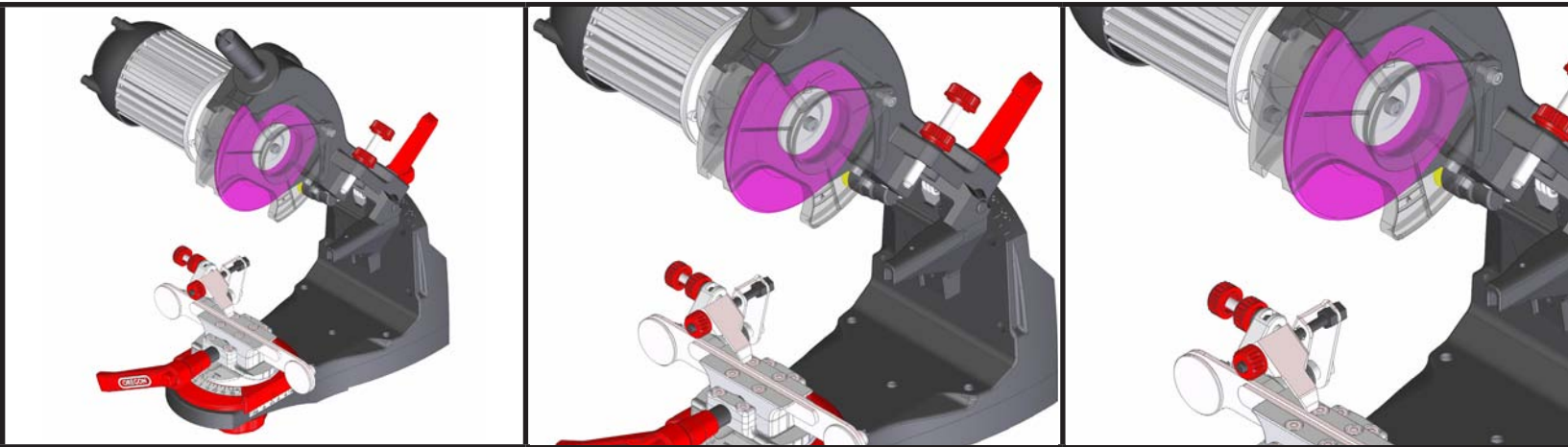




www.oregonchain.com

Bench Chain Grinder 511AX

120 V~ 60 Hz



EN 1
 Bench chain grinder
OWNER'S MANUAL
 Attention: do not use the grinder before you have read the owner's manual in full

FR 6
 Meuleuse électrique pour chaînes de scie électrique
MANUEL D'UTILISATION ET ENTRETIEN
 Attention : ne pas utiliser l'appareil sans avoir préalablement lu le manuel d'utilisation et entretien

ES 11
 Esmeriladora eléctrica para cadenas de motosierra
MANUAL DE INSTRUCCIONES
 Atención: no utilice la unidad sin haber leído el manual de instrucciones

INTRODUCTION

FOR YOUR OWN SAFETY READ INSTRUCTION MANUAL BEFORE OPERATING GRINDER.

Keep this manual for future reference. To ensure the correct use of the grinder and to prevent accidents, do not start working without having read this manual carefully. The manual explains how the various components work and provides instructions for carrying out the necessary checks and maintenance operations.

1. SAFETY RULES AND PRECAUTIONS

! **WARNING !** - The use of accessories or attachments not recommended by the manufacturer may result in a risk of injury to persons! Any maintenance operation not described in this manual must only be carried out by an AUTHORIZED service center.

! **CAUTION !** The following instructions should be carefully followed in order to reduce the risk of kick-back resulting from improperly sharpened saw chains.

- 1 - **USERS.** The grinder must only be used by adults. Users must be in good physical condition and familiar with the instructions for use.
- 2 - **KEEP CHILDREN AWAY.** All visitors should be kept at safe distance from work area.
- 3 - **WEAR PROPER APPAREL.** Never wear loose clothing, bracelets, neckties, rings or any other jewelry that could come into contact or get caught with the grinding wheel or any other moving parts. Non slip footwear is recommended. Wear protective hair covering to contain long hair.
- 4 - **ALWAYS USE SAFETY GLASSES OR FACE SCREEN.** Always wear gloves and protective eyewear while operating the grinder and while retouching the wheel using the dressing stone. Also use face or dust mask if cutting operation is dusty. Everyday eyeglasses only have impact resistant lenses, they are NOT safety glasses.
- 5 - **NEVER STOP THE WHEEL WITH YOUR HANDS.** Never attempt to stop the rotation of the grinding wheel with your hands.
- 6 - **DISCONNECT TOOLS** before servicing. Make sure the plug is disconnected when fitting or changing the grinding wheel and during any other operation of maintenance or transport.
- 7 - **KEEP GUARDS IN PLACE AND IN WORKING ORDER.** Never start the grinder without the wheel guards in place.
- 8 - **REMOVE ADJUSTING KEYS AND WRENCHES.** Make sure that keys and adjusting wrenches are removed from tool before turning it on.
- 9 - **DON'T FORCE TOOL.** It will do the job better and safer at the rate for which it was designed. Each grinder has a plate indicating:
 - size of arbor: Ø .866" (22 mm)
 - no-load speed in revolutions per minute: RPM 3400
 - always to read instruction manual before operating the machine
 - always to wear eye and face protection
 - always use the proper grinding wheel
 Also make sure that the voltage and frequency indicated on the plate applied to the grinder correspond to those of the mains hook-up.
- 10 - **REDUCE THE RISK OF UNINTENTIONAL STARTING.** Always make sure that the start-up switch is in the "0" (OFF) position before connecting the plug to the outlet.
- 11 - **NEVER USE CABLES, PLUGS OR EXTENSION CABLES THAT ARE DEFECTIVE OR NON-STANDARD.**
- 12 - **REMOVE THE PLUG** from the mains immediately if the cable is damaged or cut; for cable repair or replacement, contact your authorized dealer or service center. The power supply cable is complete with terminals - with protection. The internal electrical connection consists of inserting the feeding cable terminals directly in the switch. The electrical connection to the mains shall be made in such a way as to prevent damages by peoples or vehicles which could endanger both them and you.
- 13 - **KEEP WORK AREA CLEAN.** Cluttered areas and benches invite accidents. Make sure that the working area of the grinding wheel is free of tools or other objects before starting up the grinder. Frequently clean grinding dust from beneath grinder.

- 14 - **DON'T USE IN DANGEROUS ENVIRONMENT.** Don't use power tools in damp or wet locations, or expose them to rain. Keep work area well lighted.
- 15 - **CHECK THE POSITION OF THE CABLE DURING OPERATION,** making sure that it remains outside the range of action of the grinding wheel and is not under tension. Never operate in the vicinity of other electrical cables.
- 16 - **DIRECTION OF FEED.** Feed work into a blade or cutter against the direction of rotation of the blade or cutter only. Never advance the chain with your left hand until the grinding wheel has moved entirely outside the work area.
- 17 - **MAKE WORKSHOP KID PROOF** with padlocks, master switches. Do not also allow anybody but the user to remain in the vicinity of the grinder while it is operating or to touch the grinder supply cable.
- 18 - **ALWAYS KEEP THE HAND-GRIPS CLEAN AND DRY.**
- 19 - Before starting the grinder, **MAKE SURE THAT THE GRINDING WHEEL IS CORRECTLY SECURED** and outside the work area. Do not overtighten the wheel nut.
- 20 - **SECURE WORK.** Make sure that the machine is stably secured, as shown in Figure 1. Use the vise to hold chain. It frees both hands for moving the wheel down to grind the chain.
- 21 - **DON'T OVERREACH.** Keep proper footing and balance at all times.
- 22 - **NEVER STAND ON TOOL.** Always work in a stable and safe position. Serious injury could occur if the tool is tipped or if the cutting tool is unintentionally contacted.
- 23 - **ALWAYS FOLLOW THE INSTRUCTIONS** for maintenance.
- 24 - **CHECK DAMAGED PARTS.** Before using the grinder, check to make sure that all the devices, those for safety and others, are in good working order. A guard, a wheel or other part that is damaged should be carefully checked to determine that it will operate properly and perform its intended function - check for alignment of moving parts, binding of moving parts, breakage of parts, mounting, and any other conditions that may affect its operation. A guard, a wheel or other part that is damaged should be properly repaired or immediately replaced.
- 25 - **USE RECOMMENDED ACCESSORIES.** Consult the owner's manual for recommended accessories. The use of improper accessories may cause risk of injury to persons. Use only flanges furnished with the grinder. To guarantee the efficient and consistent operation of your grinder, remember that any worn or broken parts must only be replaced using ORIGINAL SPARE PARTS.
- 26 - **USE ONLY RECOMMENDED GRINDING WHEELS.**
- 27 - **CHECK YOUR MACHINE.** Never work with a damaged, poorly repaired, incorrectly fitted, or arbitrarily modified grinder. Do not remove, damage, or disable any safety device.
- 28 - **USE RIGHT TOOL.** Never use the grinder as a cutter or for grinding objects other than saw chains. Don't force tool or attachment to do a job for which it was not designed.
- 29 - **LEND YOUR GRINDER ONLY TO EXPERT USERS** who are familiar with its operation and correct use, and always give them the instruction manual to read before they start a job.
- 30 - **MAINTAIN TOOLS WITH CARE.** Keep tools sharp and clean for best and safest performance. Follow instructions for lubricating and changing accessories.
- 31 - **STORE YOUR GRINDER IN A DRY PLACE,** raised off the ground and out of the reach of children.
- 32 - **NEVER LET YOUR GRINDER BE EXPOSED TO RAIN OR DAMPNESS.**
- 33 - **NEVER USE THE GRINDER IN AN EXPLOSIVE OR INFLAMMABLE ATMOSPHERE.**
- 34 - **TAKE THE GRINDER TO YOUR DEALER.** When your grinder is not in working order, do not abandon it on the work site or elsewhere. Take it to your dealer who will store or dispose of it correctly.
- 35 - **ALWAYS CONSULT YOUR DEALER** for any clarification or important maintenance or repair operation.
- 36 - **NEVER JERK THE CABLE TO DISCONNECT IT FROM THE OUTLET.** Keep the cable away from heat, oil, and sharp objects.
- 37 - **USE PROPER EXTENSION CORD.** Make sure your extension cord is in good condition. When using an extension cord, be sure to use one heavy enough to carry the current your product will draw. An undersized cord will cause a drop in line voltage resulting in loss of power and overheating. Table 1 shows the correct size to use depending on cord length and nameplate ampere rating. If in doubt, use the next heavier gage. The smaller the gage number, the heavier the cord.

Table 1 - Minimum gauge for cord

Ampere Rating		Volts	Total length of cord in feet			
		120 V~	25 ft.	50 ft.	100 ft.	150 ft.
		240 V~	50 ft.	100 ft.	200 ft.	300 ft.
More Than	Not More Than	Gauge needed				
0	6		18	16	16	14
6	10		18	16	14	12
10	12		16	16	14	12
12	16		14	12	Not Recommended	

Only the applicable parts of the Table need to be included. For instance, a 120V~ product need not include the 240V~ heading.

! CAUTION - SETTING UP THE GRINDER
 The grinder must only be used in a place that is protected from dust and dampness, that is well-lighted, out of the reach of children, and away from gasses or other inflammable or explosive liquids.
 The grinder must be situated near a normal electrical outlet equipped with earth (grounded).**Avoid using dangerous extension cables.

****GROUNDING INSTRUCTIONS.**

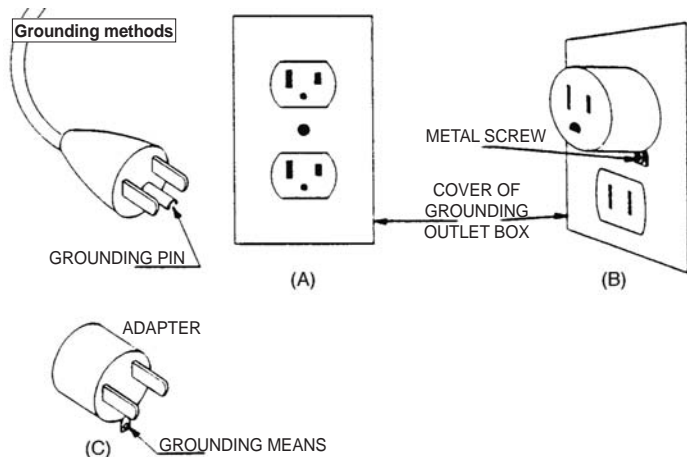
A. In the event of malfunction or breakdown, grounding provides a path of least resistance for electric current to reduce the risk of electric shock. This tool is equipped with an electric cord having an equipment-grounding conductor and a grounding plug. The plug must be plugged into a matching outlet that is properly installed and grounded in accordance with all local codes and ordinances.
 Do not modify the plug provided - if it will not fit the outlet, have the proper outlet installed by a qualified electrician.

Improper connection of the equipment-grounding conductor can result in a risk of electric shock. The conductor with insulation having an outer surface that is green with or without yellow stripes is the equipment-grounding conductor. If repair or replacement of the electric cord or plug is necessary, do not connect the equipment-grounding conductor to a live terminal.

Check with a qualified electrician or service personnel if the grounding instructions are not completely understood, or if in doubt as to whether the tool is properly grounded.

Use only 3-wire extension cords that have 3-prong grounding plugs and 3-pole receptacles that accept the tool's plug. Repair or replace damaged or worn cord immediately.

B. Grounded, cord-connected tools intended for use on a supply circuit having a nominal rating less than 150V~. This tool is intended for use on circuit that has an outlet that looks like the one illustrated in sketch A in figure. The tool has a grounding plug that looks like the plug illustrated in sketch A in figure. A temporary adapter, which looks like the adapter illustrated in sketches B and C, may be used to connect this plug to a 2-pole receptacle as shown in sketch B if a properly grounded outlet is not available. The temporary adapter should be used only until a properly grounded outlet can be installed by a qualified electrician. The green-colored rigid ear, lug, and the like, extending from the adapter must be connected to a permanent ground such as a properly grounded outlet box.



2. GENERAL INFORMATION

The manufacturer is not liable for damages in the following cases:
 - failed observance of the instructions given herein;
 - use of the machine other than that described in the "INTENDED USE" section;
 - failed use in compliance with current standards on Health & Safety at the workplace;
 - Incorrect installation;
 - lack of scheduled maintenance;
 - modifications or jobs that are not authorized by the manufacturer;
 - use of non-original or inadequate spare parts;
 - repairs that are not carried out by a specialist.

3. WARRANTY

The warranty validity is that acknowledged in the country of sale. Claims under warranty will only be accepted if they are backed-up by the copy of the purchase document (bill or receipt).

- The guarantee becomes void if:
 a) the machine has been tampered with;
 b) the machine has not been used according to this manual;
 c) non-original parts, machines or grinding wheels have been fitted on the grinder or other parts that are not authorized by the manufacturer;
 d) the machine has been powered at a voltage or frequency different from that written in the rating nameplate.

4. USING AND KEEPING UP THE OWNER'S MANUAL

The characteristics and the information given in this manual are merely indicative. The manufacturer reserves the right to add any modifications to the grinder considered necessary at any time.
 It is forbidden to reproduce any part of this document without authorization on behalf of the manufacturer.
 The owner's manual is integral part of the machine and must be kept in a safe place so that it can be consulted whenever need be.

If you should lose your manual or it should deteriorate, you can request your dealer or an authorized service centre for another copy.
 The manual shall accompany the machine at all times, especially if it is sold on at a later date.

5. DEFINITIONS

Skilled technician: a person who is generally employed by the service centre and who is trained to carry out extraordinary maintenance jobs and repairs on the machine.

6. SYMBOLS

	This symbol points out the possibility of serious personal injuries if the provisions and instructions are not complied with.
	This symbol points out that the user must wear protection goggles when he uses the machine.
	This symbol points out that the user must wear protective gloves when he uses the machine.
	This symbol points out the correct running direction of the machine (grinding wheel).

7. TECHNICAL DATA

Model	511AX
Voltage	120V~ 60Hz
Rated power	300W
Grinding wheel dimensions	Outside Ø 145 mm (5-3/4")
	Inside Ø 22,2 mm (7/8")
	Thickness 3.2 - 4.7 - 6.0 mm (1/8"-3/16"-1/4")
Maximum speed of grinding wheel	3400 min ⁻¹
Max. power of lamp	15W
Acoustic pressure level	77 dB(A)
Level of vibrations on operating handle	< 2,5 m/s ²
Types of chains that can be sharpened	1/4" - .325" - 3/8" - .404" - 3/4"
Weight (complete machine)	6 kg

8. PART DESCRIPTION (FIG.1)

- | | |
|---------------------------------------|-------------------------------------|
| 1 Base unit | 11 Arm operating handle |
| 2 Arm-motor unit | 12 Shield guard |
| 3 Vise assembly | 13 Arbor shield |
| 4 Chain blocking handle | 14 Grinding wheel |
| 5 Vise adjustment knob | 15 Sharpening depth adjustment knob |
| 6 Chain jaws | 16 Safety button |
| 7 Chain blocking unit adjustment knob | 17 Lamp |
| 8 Chain blocking unit adjustment knob | 18 Main ON/OFF switch |
| 9 Chain blocking unit | 19 Electrical power cable |
| 10 Arm blocking handle | 20 Rating nameplate |

9. SAFETY DEVICES

The grinder is equipped with the safety devices illustrated hereafter:
 - **Shield guards:** they protect the operator from parts of the grinding wheel that may come away during the sharpening process. These guards must always be fitted in place when the machine is in use. Always make sure the guards are efficient and fitted properly. Operator safety could be compromised if the guards are damaged and/or cracked.
 - **Switch:** the machine features a safety switch with release coil. In the case of a sudden power failure, the switch trips automatically and disconnects the machine from the mains. The machine will not start even if the power supply is suddenly restored. You need to reset the switch to start the machine again.
 - **Safety button:** this is used to block the arm in the completely raised position. When the button is released, the arm is blocked. This condition is required when adjusting the sharpening angles, when replacing and dressing the grinding wheel. When the button is pressed, the arm is free to move. This condition is required during the sharpening process. If the arm is released suddenly when the machine is in use, the button trips and blocks the arm in the raised position.

10. INTENDED USE

This machine is an electrical grinder for chains used in chain saws.
 - Use the machine exclusively for the types of chains stated in the technical data chart.
 - Do not use the machine to cut or grind anything other than the chains envisaged.
 - Secure the machine firmly to the bench or wall.
 - The machine must not be used in corrosive or explosive environments.
 - **Any other use is to be considered improper.**
 The manufacturer is not liable for damages following improper or incorrect use of the machine.

11. UNPACKING

The grinder is supplied already partially assembled.

12. STANDARD SUPPLY (FIG.2)

- 1 - Base unit
- 2 - Arm-motor unit
- 3 - Owner's manual
- 4 - Test card
- 5 - Shield guard
- 6 - Grinding wheel Ø 145x3.2x22.2
- 7 - Grinding wheel Ø 145x4.7x22.2
- 8 - Grinding wheel Ø 145x6x22.2
- 9 - Extra shield guard
- 10 - Guard securing screw M5x12
- 11 - Washers for screws M5
- 12 - Arm securing screw M10x40
- 13 - Washer for screw M10
- 14 - Arm blocking handle
- 15 - Arm securing nut M10
- 16 - Operating handle
- 17 - Operating handle securing screw M6x25
- 18 - Operating handle securing nut M6
- 19 - Sharpening template
- 20 - Dressing brick
- 21 - 4 mm Allen wrench
- 22 - 5 mm Allen wrench

13. TESTING THE GRINDING WHEEL

Hold the grinding wheel up by its central hole. Knock the edge of the grinding wheel (fig.3) gently with a metal object. If it makes a numb non-metallic noise it means that the wheel could be damaged: **do NOT use it!**

14. INSTALLATION

ATTENTION

Do not install the machine at eye level. You are recommended to install it at a height of no more than 1.2-1.3 meters off the floor. The machine can be bench mounted or wall mounted.

14.1 BENCH MOUNTING

- **Securing the base unit (fig.4):** use 2 M8 screws complete with washers and nuts (material not supplied), inserted in the securing holes F4. Make sure you position the base unit on the bench as illustrated in the detail.
- **Fitting the arm (fig.5):** to secure the arm-motor unit to the base unit, insert the V5 screw in the dedicated hole F5. Insert the R5 washer at the back and tighten the knob M5.

14.2 WALL MOUNTING

- **Securing the base unit (fig.6):** use two dowels with relative screws complete with washers (material not supplied), inserted in the securing holes F6.
- **Fitting the arm (fig.5):** to secure the arm-motor unit to the base unit, insert the V5 screw in the dedicated hole F5. Insert the R5 washer at the back and tighten the nut D5.

14.3 SECURING THE OPERATING HANDLE (FIG.7)

- Insert the screw V7 in the relative hole in the arm and secure it with the nut D7.
- Completely screw the operating handle I7 on the screw V7.

14.4 SECURING THE SHIELD GUARDS

 Do not screw the screws too tight during this job to avoid cracking the guards.

- Remove the screw V8 and the flange F8 on the hub (fig.8).
- Secure the guard P9, by screwing the screw V9, complete with washer R9, in the relative hole F9 (fig.9).
- Secure the arbor shield P10, by screwing the screw V10, complete with washer R10, in the relative securing hole F10 (fig.10).

15. CHAIN INFORMATION


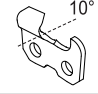


The chain must be completely inspected before sharpening it to make sure it is intact.

<p>(fig.11) Cutter parts:</p> <ul style="list-style-type: none"> 1 Top part 2 Top cutting angle 3 Side cutting angle 4 Sharpening recess 5 Depth gauge 6 Bit 7 Heel 8 Rivet hole 	<p>(fig.12) Chain parts:</p> <ul style="list-style-type: none"> 1 Connection link 2 Left cutter 3 Right cutter 4 Driving link (pulling link) 5 Rivet
---	--

16. CHAIN IDENTIFICATION

- Before you start to sharpen, you need to know the type of chain and the relative adjustment angles. These characteristics are written in the owner's manual of the chain saw on which the chain is fitted or on the chain pack.
- The chain identification code is usually written on the driving link.
- You can also identify the chain using a template or gauge.
- Consult the CHAIN CHART at the end of this manual.

The columns in this chart provide the following information:

A		Top plate angle (vise rotate angle)
B		Down angle (head tilt angle)
C		Cutting angle (arm tilt angle)
D		Gauge depth

16.1 INSTRUMENTAL MEASUREMENTS (FIG.13)

- a -Measure the gauge depth using the suitable shape.
- b -Put the template on this side and measure the chain PITCH.
- c -Put the template on this side to measure the cutter length.
- d -The driving link width is measured using a suitable instrument (i.e. gauge).

17. GRINDING WHEEL WARNINGS

- Use a grinding wheel suitable for the type of chain to be sharpened; consult the chain chart at the end of the manual.
- Do not force the grinding wheel on the hub and do not alter the centering hole diameter. Do not use grinding wheels that do not fit perfectly in place.
- Use exclusively clean and perfect intact hub and flange to fit the grinding wheel.
- Make sure the outside diameters of the hub and flange are identical.

18. FITTING THE GRINDING WHEEL


- Loosen the screw V10 and turn the guard P10 (fig.14).
- Choose the grinding wheel based on the type of chain to be sharpened (column H in chain chart).
- Insert and perfectly center the grinding wheel in the dedicated seat on the hub (fig.14-15).
- Insert the flange F8 and tighten the screw V8 (fig.14).

Make sure you fit the flange as illustrated in fig.15-16.
 If the grinding wheel is fitted with the flanges too tight, it could break during use and put the operator at risk. To avoid such risk, tighten screw M6x25 to **7 Nm** (if possible, check with dynamometric spanner).

- Close the guard again P10 and tighten the relative screw V10.

19. CHECKING THE ASSEMBLY OF THE GRINDING WHEEL

- Stand at the side of the grinding wheel, start the grinder and visually make sure the grinding wheel does not oscillate sideways or crosswise, consequently causing abnormal vibrations.
- If this should be the case, stop the machine immediately and check if the grinding wheel has been fitted correctly. If necessary, replace the grinding wheel with another original one.

 Always check a freshly fitted grinding wheel at working speed for at least one minute before you start grinding, standing at a safe distance and making sure nobody else approaches the machine.

20. ELECTRICAL CONNECTION

- Make sure the electrical system power supply complies with the values written on the rating nameplate.
- The power supply voltage must not differ from that written on the nameplate by ±5%.
- The connection to the electric mains must be prepared subject to current standards in force in the country in which the machine is used.
- The power socket used for the machine must have an earth wire, adequate fuse and must be protected by a differential circuit breaker with tripping sensitivity no higher than 30 mA.

21. START-UP

- Block the arm in the completely raised position (the safety button must be released).
- Plug the power cable into the mains.

22. CHECKING THE GRINDING WHEEL SHAPE

- With the machine turned off, check the grinding wheel profile using the dedicated template (fig.17); if necessary, dress the wheel to restore the correct profile.

23. GRINDING WHEEL DRESSING

 Wear personal protection equipment.

- Start the grinder by turning the switch to position "1".
- Once started, the lamp lights up to illuminate the sharpening area.
- Profile the grinding wheel with the dressing brick, always working with extreme caution, holding it with two hands firmly and effectively (fig.18).

- Stop the machine and check if the profile is correct using the template (fig.19).



Contact with the grinding wheel while it spins at high speed may cause burning and abrasions.

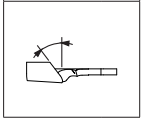
24. ADJUSTING THE GRINDER

24.1 SHARPENING ANGLES

- Once you have established the type of chain to be sharpened, look-up the adjustment angles (vise and arm) in the chain chart (columns A/B/C).



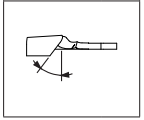
24.2 SETTING THE TOP SHARPENING ANGLE (FIG.20-21)



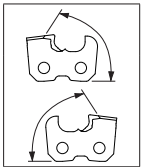
- Loosen the knob M20.
- Turn the vise clockwise.
- Position the "0" reference mark on the vise by the desired angle.
- Tighten knob M20 again.



24.3 SETTING THE TOP SHARPENING ANGLE (FIG.20-22)



- Loosen the knob M20.
- Turn the vise counter clockwise.
- Position the "0" reference mark on the vise by the desired angle.
- Tighten knob M20 again.

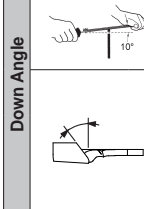


24.4 SETTING THE CUTTING ANGLE (FIG.23) (right and left cutters)

- Loosen the knob at the back M23 and turn the arm towards the right. Position the "0" reference mark by the angle desired.
- Tighten knob M23 again.

24.5 SHARPENING ANGLES FOR CHAINS WITH "DOWN ANGLE"

- Find the setting angles as just illustrated.
- Set another sharpening position: the down angle. To find out which chains require this setting, consult column B in the chain chart.

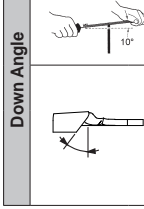


24.6 SETTING THE DOWN ANGLE (FIG.25)

- Loosen knob M20.
- Swing the vise right inwards until the left reference mark matches that underneath.

24.7 SETTING THE TOP SHARPENING ANGLE (FIG.26)

- Turn the vise clockwise.
- Position the "DOWN 10" reference mark (right) of the vise by the desired angle.
- Tighten knob M20 again.

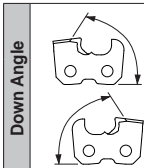


24.8 SETTING THE DOWN ANGLE (FIG.27)

- Loosen knob M20.
- Swing the vise right towards the operator so that the right reference mark matches that underneath.

24.9 SETTING THE TOP SHARPENING ANGLE (FIG.28)

- Turn the vise counter clockwise.
- Position the "DOWN 10" reference mark (left) of the vise by the angle desired.
- Tighten knob M20 again.



24.10 SETTING THE CUTTING ANGLE (FIG.24) (right and left cutters)

- Loosen the handle at the back M23 and turn the arm towards the right. Position the "DOWN 10" reference mark on the angle desired.
- Tighten knob M23 again.

24.11 SETTING THE CHAIN BLOCKING UNIT (FIG.29)

- Put the chain in the vise.
- Take the cutter up against the chain blocking device A29.
- Turn the knob P29 to position the blocking unit A29 correctly compared to the cutter.

24.12 POSITIONING THE CUTTER

- Press the safety button P17, to release the arm (fig.22).
- Move the grinding wheel onto the cutter to be sharpened by pulling the arm downwards.
- Turn the knob P30 to move the chain so that the cutter cutting edge skims the grinding wheel (fig.30). The chain should run freely over the vise throughout this procedure but without any clearance.
- At this stage, raise the arm and screw the knob P30, to move the cutter to be sharpened further forwards.

This forward movement corresponds to the quantity of material to be ground from the cutter.

Blunter the cutters, greater must be this forward movement. Vice versa, for cutters that are not too blunt, simply grind just a slight amount of material.

- Turn knob P31 to adjust the cutter sharpening depth. The grinding wheel should skim the bottom of the cutter vertically (fig.31).
 - Once you have found the exact position of the cutter, tighten the chain blocking handle M32 (fig.32).
- Pull the handle M32 towards the operator to re-position it to facilitate the sharpening process.

25. SHARPENING WARNINGS



- Wear personal protection equipment when sharpening.



- All adjustments must be made with the motor switched off and the grinding wheel completely stopped.
- In the case of accidental impact or collision of the wheel during the sharpening process, follow the instructions given in the "GRINDING WHEEL WARNINGS" section.

- Clean the chain before sharpening it.
- To avoid overloading the motor excessively and to avoid damaging the chain cutters, grind minimum quantities of material and do not stop along the same cutter as this could burn the cutting edge.
- Sharpen all the cutters on the same side and then adjust the vise as explained in the previous sections, then sharpen the cutters on the opposite side.
- Do not use cooling liquids during the sharpening process.

26. SHARPENING THE CHAIN

- Make sure the vise blocking handle M32 is screwed tight and the chain is blocked.
- Turn the machine on using switch I33, press button P17 to release the arm and sharpen the cutter by lowering the arm-motor unit (fig.33).
- Once you have sharpened the chain, raise the arm and loosen the handle M32.
- Run the chain forward to position the next cutter to be sharpened.
- Block again with the handle M32 and sharpen.

27. GRINDING WHEEL WEAR COMPENSATION

- When the wheel diameter wears down and reaches a dimension within zone A on the shield guard (fig.34), you need to re-position the vise assembly. This will improve the working conditions of the grinder.
- Loosen the securing screws V35 (fig.27).
- Move the vise assembly towards the right until the reference "A" matches the reference mark on the vise itself (fig.28).
- Tighten the securing screws V35. This will maintain the ideal working conditions of the grinder.
- Loosen the securing screws V35 (fig.35).
- Move the vise assembly towards the right until reference "A" matches the reference mark on the vise itself (fig.36).
- Tighten the securing screws V35.

28. GRINDING WHEEL DRESSING FOR SHARPENING THE DEPTH GAUGE

- Fit the 6-mm thick grinding wheel (fig.37), following the instructions given in points 13-17-18-19.
- Turn the vise so that the "0" reference mark is on position 0 (fig.38).
- Turn the arm to take the "0" reference mark to 10°/15° (fig.38).
- Position the dressing brick on the jaws and against the chain blocking unit (fig.38).
- Press the safety button to release the arm.



Hold the dressing brick firmly with one hand (being careful not to touch the grinding wheel).

- Profile the grinding wheel by activating the machine and grind the grinding wheel until you obtain a profile like the one illustrated in fig.38.
- Switch the machine off once you have finished.

29. SHARPENING THE DEPTH GAUGE

- Remove the dressing brick and put the chain in the vise.
- Center the cutter compared to the grinding wheel by turning the knobs (P29 and P30).
- Keeping the arm tilted, adjust the grinding depth on the gauge by turning knob P31 (fig.39).
- Sharpen the gauge following the instructions given in the "SHARPENING" section. For this type of sharpening procedure, there is no difference between the right and left cutters, therefore sharpen all the gauges one after the other.
- Check if the gauge depth is correct, using the template with the shape related to the type of chain used (fig.40). Please also consult the chain table, column D.

30. STOPPING AND SHUTTING DOWN


30.1 STOPPING

Turn the machine off by turning the switch to position "0" and unplug the power cable from the mains.

30.2 SHUTTING DOWN

Once you have finished using the machine, disconnect it and clean it thoroughly. Store it in a dry and safe place, protected against dust and damp.

30.3 ROUTINE MAINTENANCE

 Follow the instructions given in the “STOPPING” section before you start to work on the machine.

Maintenance frequency	Operation
When the grinding wheel reaches a minimum diameter of approximately 105 mm	Replace the grinding wheel.
40 hours	Clean the lamp carefully using a rag or a cleaning brush. Do not use compressed air.
	Clean the grinder carefully using a rag or a cleaning brush. Clean the electric motor and the sliding guides with caution. Do not use compressed air.


30.4 HANDLING AND TRANSPORT


- If you need to transport the machine, take it off the bench or wall, dismantle the grinding wheel and put all the parts in a packing box to protect them against impact.

30.5 DEMOLITION AND DISPOSAL


The machine is to be demolished by qualified personnel in compliance with current laws in force in the country in which it is installed.



The symbol  (on the rating nameplate) points out that the product must not be disposed of with normal household garbage. Contact an authorized tip or your dealer for disposal instructions.

 Before you scrap the machine, make it unusable by cutting the power supply cable for example and make the parts safe, which could cause a source of danger for children if they should play with the machine.

31. TROUBLE SHOOTING

 Follow the instructions given in the “STOPPING” section before you start to work on the machine.

Problem	Probable cause	Solution
The machine fails to start when you switch on (switch in pos. “1”).	One of the safety devices of the system to which the machine is connected has tripped (fuse, circuit breaker etc.)	Reset the safety device. If the safety switch trips again, do not use the machine, but contact a Skilled technician .
	The machine is not plugged into the mains properly.	Unplug and plug in again properly.
The lamp fails to switch on when the switch is turned to position “1”.	The lamp is not screwed properly into its seat.	Screw the lamp in place properly.
	The lamp has blown.	Replace the lamp.
The machine vibrates abnormally.	The grinder is not secured correctly.	Check its attachment and, if necessary, tighten the securing screws correctly.
	The arm-motor unit is not secured correctly to the base unit.	Tighten the related blocking handle correctly.
	The vise assembly is not secured correctly to the base unit.	Tighten the related blocking handle correctly.
	The grinding wheel is not fitted correctly in its seat on the hub.	Dismantle the grinding wheel, check its integrity and fit again correctly.

- Contact a **skilled technician** if you are still unable to restore the correct operation of the machine following the instructions given in the chart.

INTRODUCTION

POUR ÉVITER N'IMPORTE QUEL ACCIDENT, LISEZ CE MANUEL TRÈS ATTENTIVEMENT AVANT DE DEMARRER L'AFFÛTEUSE.

Conservez le manuel soigneusement.

Pour utiliser correctement l'affûteuse et pour éviter tout accident, n'utilisez cette machine qu'après avoir lu le présent manuel, qui vous donnera des instructions sur le fonctionnement des composants, sur les contrôles nécessaires ainsi que sur l'entretien.

1. REGLES ET MESURES DE SECURITE



! ATTENTION ! L'emploi d'accessoires ou de pièces de rechange pas recommandés par le constructeur pourrait entraîner des dangers pour le personnel. Toutes les opérations d'entretien qui ne figurent pas dans le manuel devront être effectuées dans un atelier agréé.



! ATTENTION ! – Il faut suivre les instructions suivantes attentivement pour réduire les risques de contrecoups provoqués par des chaînes pas affûtées.

1 - UTILISATEUR. L'affûteuse ne doit être utilisée que par des adultes en bonnes conditions physiques, connaissant le mode d'emploi de la machine.

2 - TENEZ LES ENFANTS LOIN DE LA MACHINE. Les visiteurs doivent se tenir à distance de la zone de travail.

3 - PORTEZ DES VÊTEMENTS APPROPRIÉS. Ne portez pas de vêtements larges, bracelets, colliers, bagues pouvant toucher la meule ou les composants en mouvement. Évitez les chaussures à semelles glissantes. Mettez des coiffes pour les cheveux longs.

4 - PORTEZ DES LUNETTES DE PROTECTION OU DES MASQUES. Pendant que vous travaillez et que vous dressez la meule, portez des gants et des lunettes de protection. Utilisez des masques ou des respirateurs dans le cas où les opérations de coupe produisent beaucoup de poussière. Les lunettes peuvent avoir des verres incassables, mais elles ne sont pas des lunettes de protection.

5 - N'ARRÊTEZ JAMAIS LA MEULE AVEC LES MAINS. N'arrêtez jamais la rotation de la meule avec les mains.

6 - DEBRANCHEZ LES EQUIPEMENTS avant l'entretien. Débranchez la fiche avant de monter/changer la meule et avant n'importe quelle opération d'entretien et de transport.

7 - GARDEZ LES PROTECTIONS DANS LEUR POSITION ET CONTROLEZ LEUR FONCTIONNEMENT. Ne mettez pas l'affûteuse en marche sans le carter de la meule.

8 - ENLEVEZ LES CLES DE REGLAGE ET LES CLES A ECROUS. Contrôlez que les clés et les clés de réglage ont été enlevées avant de démarrer la machine.

9 - NE FORCEZ PAS LA MACHINE, pouvant travailler à la capacité prévue. Chaque affûteuse a une plaque indiquant :

- les dimensions de l'arbre: Ø .866" (22 mm)
- lisez le manuel attentivement avant de démarrer la machine
- portez des lunettes et des masques de protection
- utilisez une meule appropriée
- always use the proper grinding wheel

Vérifiez si la tension et la fréquence indiquées sur la plaque de l'affûteuse correspondent à celles du secteur sur lequel vous la branchez.

10 - REDUISEZ LES RISQUES DE DEMARRAGE ACCIDENTEL. Vérifiez si l'interrupteur de marche est sur zéro avant de brancher la fiche sur la prise de courant.

11 - N'UTILISEZ PAS DE FICHES, RALLONGES ET CÂBLES DÉFECTUEUX ET/OU PAS CONFORMES.

12 - Si le câble est détérioré ou coupé, DEBRANCHEZ IMMEDIATEMENT LA FICHE DE LA PRISE DE COURANT. Pour la réparation adressez-vous exclusivement à votre revendeur ou au service après-vente agréé. Le câble d'alimentation est équipé de bornes avec protection. Le branchement électrique intérieur se fait en enfilant les bornes du câble d'alimentation directement sur l'interrupteur. Le branchement électrique au réseau doit être fait de façon à éviter que des personnes ou des véhicules puissent détériorer le câble, ce qui serait dangereux pour tout le monde.

13 - LA ZONE DE TRAVAIL DOIT ETRE PROPRE, pour éviter n'importe quel accident. Vérifiez si tous les outils et tout autre objet ont été éliminés de la zone de travail de la meule avant de mettre l'affûteuse en marche. Nettoyez la poussière produite par la meule au-dessous de l'affûteuse.

14 - N'UTILISEZ PAS LA MACHINE DANS DES ZONES DANGEREUSES. N'utilisez pas la machine dans des endroits humides ou sous la pluie. Il faut que la zone de travail soit bien éclairée.

15 - VÉRIFIEZ LA POSITION DU CÂBLE ÉLECTRIQUE PENDANT QUE VOUS TRAVAILLEZ: il doit être loin du rayon d'action de la meule et ne doit pas être tendu. Ne meulez pas à proximité d'autres fils électriques.

16 - DIRECTION D'ALIMENTATION: dans le cas contraire à la rotation des lames. Attendez que la meule soit éloignée de la zone de travail avant de faire avancer la chaîne de la main gauche.

17 - CONTROLEZ LA SECURITE DANS L'USINE: utilisez des cadenas et des interrupteurs appropriés. Pendant que l'affûteuse marche, veillez à ce que personne ne stationne dans le voisinage et ne touche pas le fil d'alimentation.

18 - CONTROLEZ QUE LES POIGNEES SONT PROPRES ET SECHES.

19 - Avant de démarrer l'affûteuse, CONTROLEZ QUE LA MEULE EST FIXEE CORRECTEMENT et éloignée de la zone de travail. Ne serrez pas excessivement l'écrou de la meule.

20 - FIXEZ LA MACHINE. Fixez toujours la machine de façon stable pour travailler, selon la figure n° 1. Fixez la chaîne moyennant un étau et utilisez vos mains pour affûter la chaîne avec la meule.

21 - CHOISISSEZ UNE POSITION STABLE. Choisissez toujours une position stable et sûre pour travailler.

22 - NE MONTEZ PAS SUR LA MACHINE. Choisissez une position stable et sûre. Ne touchez pas la lame et ne renversez pas la machine, pour éviter n'importe quel accident.

23 - SUIVEZ TOUJOURS LES INSTRUCTIONS prévues pour les opérations d'entretien.

24 - CONTROLEZ LES ELEMENTS ENDOMMAGES. Avant d'utiliser l'affûteuse, contrôlez que tous les dispositifs, de sécurité ou non, marchent bien. Contrôlez les protections, la moule ou n'importe quel élément endommagé pour en vérifier le fonctionnement. Contrôlez l'alignement des parties en mouvement, les dommages éventuels, l'assemblage et toute autre condition qui pourrait influencer le fonctionnement de la machine. Réparez ou remplacez les éléments endommagés.

25 - EMPLOYEZ DES ACCESSOIRES RECOMMANDES. Lisez le manuel d'emploi pour identifier les accessoires recommandés. L'emploi d'accessoires pas recommandés pourrait entraîner des risques graves pour les personnes. Utilisez seulement les brides fournies avec l'affûteuse. Pour en garantir le fonctionnement, remplacez les éléments endommagés par des PIÈCES DE RECHANGES ORIGINEELLES.

26 - N'UTILISEZ PAS DE MEULES AUTRES QUE CELLES INDIQUEES.

27 - CONTROLEZ LA MACHINE. Ne travaillez pas avec une affûteuse détériorée, mal réparée, mal montée ou arbitrairement modifiée. Ne touchez jamais les dispositifs de sécurité.

28 - EMPLOYEZ DES OUTILS APPROPRIÉS. N'utilisez pas l'affûteuse pour meuler des objets autres que des chaînes à couper. Ne forcez pas la machine ou la fiche pour des travaux pas prévus.

29 - NE CONFIEZ VOTRE AFFÛTEUSE QU'À DES PERSONNES EXPERTES, connaissant son fonctionnement. Donnez-leur le manuel avec le mode d'emploi à lire avant de commencer à travailler.

30 - CONSERVEZ LA MACHINE AVEC SOIN. Contrôlez que les accessoires sont propres et affilés, pour obtenir des performances élevées et sûres.

31 - CONSERVEZ L'AFFÛTEUSE DANS UN ENDROIT SEC, soulevée du sol et hors des enfants.

32 - NE LAISSEZ PAS L'AFFÛTEUSE SOUS LA PLUIE NI À L'HUMIDITÉ.

33 - N'UTILISEZ PAS L'AFFÛTEUSE DANS DES ATMOSPHÈRES EXPLOSIVES OU INFLAMMABLES.

34 - Si votre affûteuse ne marche plus, ne l'abandonnez pas dans la nature. APPELEZ VOTRE REVENDEUR habituel qui saura résoudre la situation.

35 - Adressez-vous toujours à votre revendeur pour tout autre éclaircissement ou toute intervention prioritaire.

36 - NE TIREZ PAS LE CÂBLE POUR LE DEBRANCHER DE LA PRISE. Évitez de l'approcher des sources de chaleur, de l'huile et des bords coupants.

37 - UTILISEZ DES RALLONGES APPROPRIÉES. Contrôlez l'état de la rallonge et leur puissance. Une rallonge peu puissante pourrait entraîner une perte de tension et un chauffage excessif. Le tableau n° 1 indique les dimensions et la puissance à employer, selon la longueur du câble et l'ampérage indiqué sur la plaquette. Dans le doute, utilisez le modèle supérieur. Le numéro du calibre est inversement proportionnel à la capacité de la rallonge.

Tableau 1 - Calibre min. des rallonges

Amperage		Volts	Longueur totale rallonge en pieds			
		120 V~	25 ft.	50 ft.	100 ft.	150 ft.
		240 V~	50 ft.	100 ft.	200 ft.	300 ft.
> de	≤ de	Calibre nécessaire				
0	6		18	16	16	14
6	10		18	16	14	12
10	12		16	16	14	12
12	16		14	12	Pas recommandé	

Il faut inclure seulement les parties applicables de la table. Par exemple, un produit de 120V~ ne doit pas comprendre aussi la référence 240V~

**! ATTENTION!**

1 - Installez l'affûteuse dans un endroit à l'abri de la poussière et de l'humidité, bien éclairé, hors des enfants, loin de gaz, liquides ou matériaux inflammables ou explosifs.

L'affûteuse doit être installée près d'une prise de courant standard, équipée de mise à la terre (**). N'utilisez pas de rallonges dangereuses.

**** INSTRUCTIONS POUR LA MISE A LA TERRE.**

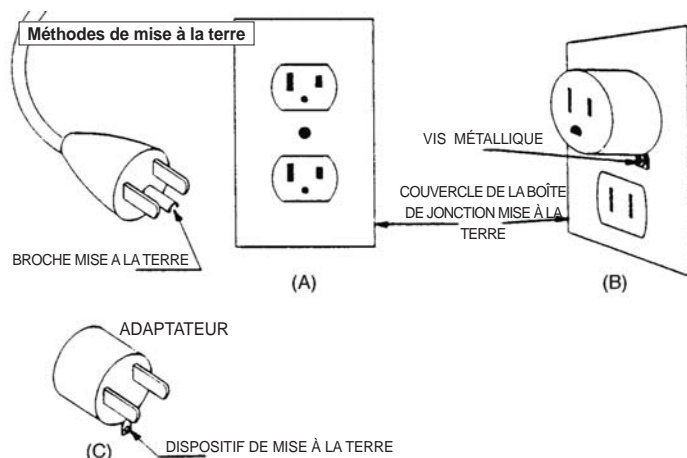
A. En cas de panne, la mise à la terre garantit une voie de résistance moins élevée pour le courant électrique, pour réduire les risques de décharges électriques. La machine est équipée d'un câble électrique avec conducteur et fiche de mise à la terre. La fiche doit être insérée dans une prise appropriée, installée et mise à la terre en conformité avec les normes juridiques locales.

Ne modifiez pas la fiche fournie. Dans le cas où elle ne peut pas être insérée dans la prise, un électricien qualifié devra installer une prise appropriée.

Une connexion erronée du conducteur de mise à la terre peut entraîner des risques de décharge électrique. Le conducteur isolé ayant une surface extérieure vert avec, ou sans, rayures jaune est le conducteur de mise à la terre de l'appareil. Pour réparer ou remplacer le câble électrique ou la fiche, ne branchez pas le conducteur de mise à la terre de l'appareil à une borne sous tension. Dans le doute, ou en cas d'instructions pas claires, contactez un électricien qualifié du personnel de service.

N'employez que des rallonges à 3 fils, avec prises de mise à la terre et prises tripolaires, aptes à la fiche de l'appareillage. Réparez ou remplacez les câbles endommagés ou usés excessivement.

B. Appareillage de mise à la terre, connecté moyennant des câbles, à utiliser avec un circuit d'alimentation ayant une tension inférieure à 150V~. L'appareil peut être employé avec un circuit équipé d'une prise similaire au modèle illustré dans le dessin A, équipé de la fiche de mise à la terre illustrée dans le dessin A. On peut utiliser un adaptateur provisoire similaire au modèle illustré dans les dessins B et C pour brancher la fiche à une prise bipolaire (voir figure B), dans le cas où la prise mise à la terre n'est pas disponible. L'adaptateur provisoire peut être employé jusqu'à l'installation d'une prise mise à la terre par un électricien qualifié. Les prises et les dispositifs similaires de l'adaptateur doivent être mis à la terre, par exemple moyennant une boîte de jonction mise à la terre.

**2. INFORMATIONS GÉNÉRALES**

Le constructeur ne saurait être tenu responsable des dommages causés par:

- le non-respect des instructions et recommandations du présent manuel d'utilisation et entretien;
- une utilisation de l'appareil autre que celles décrites dans le chapitre "UTILISATION PRÉVUE";
- une utilisation non conforme aux normes de sécurité et de prévention des accidents du travail;
- une installation non effectuée correctement;
- un entretien prévu non effectué ou insuffisant;
- des modifications ou des interventions non autorisées par le constructeur;
- l'utilisation de pièces détachées non d'origine ou non adaptées;
- des réparations non effectuées par un technicien qualifié.

3. GARANTIE

La validité de la garantie applicable au produit est celle reconnue dans le pays où il a été vendu. Toute demande sous garantie n'a de valeur qu'accompagnée du justificatif d'achat (facture ou ticket de caisse).

La garantie est invalidée dans les cas suivants:

- a) l'appareil a été modifié;
- b) l'appareil n'a pas été utilisé comme indiqué dans le présent manuel;
- c) sur l'appareil, ont été montés des pièces, des accessoires ou des meules non d'origine et/ou non autorisés par le constructeur;
- d) l'appareil été branché à une tension ou à une fréquence différente de celle indiquée sur la plaque des données techniques.

4. UTILISATION ET CONSERVATION DU MANUEL D'UTILISATION ET ENTRETIEN

Les caractéristiques et les données figurant dans le présent manuel sont indicatives. Le constructeur se réserve la faculté d'apporter à l'appareil toutes les modifications jugées utiles.

Il est interdit de reproduire le présent manuel, y compris partiellement, sans l'autorisation du constructeur.

Le manuel d'utilisation et entretien fait partie intégrante de l'appareil et doit être soigneusement conservé, à un endroit tel qu'il puisse être consulté à tout moment en cas de besoin.

En cas de détérioration ou de perte du manuel, en demander un nouvel exemplaire au revendeur ou à un centre d'assistance agréé.

Dans le cas où l'appareil serait remis à un nouvel utilisateur, veiller à lui remettre également manuel d'utilisation et entretien.

5. DÉFINITIONS

Technicien qualifié: personne, généralement rattachée au centre d'assistance agréé, possédant la formation et les compétences nécessaires pour effectuer les interventions d'entretien exceptionnelles et les opérations de réparation de l'appareil.

6. SYMBOLES

	Ce symbole rappelle la présence d'un grand risque de blessure dans le cas où les prescriptions et indications fournies ne seraient respectées.
	Ce symbole rappelle la nécessité de porter des lunettes de protection durant l'utilisation de l'appareil.
	Ce symbole rappelle la nécessité de faire usage de gants de protection durant l'utilisation de l'appareil.
	Ce symbole indique le sens dans lequel l'outil (meule) doit tourner quand l'appareil est en marche.

7. DONNÉES TECHNIQUES

Modèle	511AX
Tension	120V~ 60Hz
Puissance nominale	300W
Dimensions meules	Øext 145 mm (5-3/4")
	Øint. 22,2 mm (7/8")
	Épaisseurs 3.2 - 4.7 - 6.0 mm (1/8"-3/16"-1/4")
Vitesse maximum meule	3400 min ⁻¹
Puissance max. lampe	15W
Niveau de pression sonore	77 dB(A)
Niveau de vibration transmis à la poignée	< 2,5 m/s ²
Types de chaînes fiables	1/4" - .325" - 3/8" - .404" - 3/4"
Poids (machine complète)	6 kg

8. IDENTIFICATION DES COMPOSANTS (FIG.1)

- | | |
|-------------------------------|---------------------------------------|
| 1 base | 11 poignée bras |
| 2 groupe bras-moteur | 12 écran d'arbre |
| 3 groupe étai | 13 écran protecteur |
| 4 poignée blocage chaîne | 14 meule |
| 5 poignée blocage étai | 15 bouton réglage profondeur affûtage |
| 6 mâchoires chaîne | 16 bouton de sécurité |
| 7 bouton réglage arrêt chaîne | 17 lampe |
| 8 bouton réglage arrêt chaîne | 18 interrupteur général |
| 9 arrêt chaîne | 19 câble électrique d'alimentation |
| 10 poignée blocage bras | 20 plaque données techniques |

9. DISPOSITIFS DE SÉCURITÉ

L'appareil est doté des dispositifs de sécurité décrits ci-après:

- **Écrans protecteurs meule:** elles mettent l'opérateur à l'abri d'éventuels morceaux de meule qui peuvent se détacher durant les opérations d'affûtage.

Ces écrans protecteurs doivent toujours être montés quand la machine est utilisée. Veiller à toujours s'assurer que les écrans protecteurs sont en parfait état et correctement montés. Les éventuels dommages ou début de rupture peuvent compromettre la sécurité de l'opérateur.

- **Interrupteur:** la machine est dotée d'un interrupteur de sécurité à bobine de décrochage. En cas de coupure de courant imprévue, l'interrupteur s'ouvre automatiquement et isole la machine du secteur d'alimentation. Après rétablissement de l'alimentation, la machine ne se remet pas en marche d'elle-même. Pour la remettre en marche, il est nécessaire d'actionner à nouveau l'interrupteur.

- **Bouton de sécurité:** sert à bloquer le bras en position complètement relevée. Quand le bouton est relâché, le bras est bloqué. Cette condition est nécessaire aux opérations de réglage des angles d'affûtage, de changement et d'avivage de la meule. Quand le bouton est enfoncé, le bras est libre. Cette condition est nécessaire aux opérations d'affûtage.

Durant le fonctionnement, dans le cas où le bras serait subitement relâché, le bouton intervient et bloque le bras en position relevée.

10. UTILISATION PRÉVUE

L'appareil objet du présent manuel est une meuleuse électrique pour chaînes de coupe utilisées sur scies électriques.

- Utiliser l'appareil uniquement pour les types de chaîne indiqués dans le tableau des données techniques.

- Ne pas utiliser l'appareil comme tronçonneuse ni pour meuler des objets autres que les chaînes indiquées.

- Fixer solidement l'appareil à un établi ou à un mur.
- L'appareil n'est pas prévu pour être utilisé sous atmosphère corrosive ou explosive.

- **Toute utilisation autre que celle indiquée doit être considéré comme impropre.**

Le constructeur ne saurait être tenu responsable des dommages causés par une mauvaise utilisation ou une utilisation impropre.

11. DÉBALLAGE

La meuleuse est fournie partiellement montée.

12. FOURNITURE DE BASE (FIG.2)

- | | |
|---------------------------------------|---------------------------------|
| 1 - base | 12 - vis M10x40 fixation bras |
| 2 - groupe bras-moteur | 13 - rondelle pour vis M10 |
| 3 - manuel d'utilisation et entretien | 14 - poignée arrêt bras |
| 4 - carton de contrôle | 15 - écrou M10 fixation bras |
| 5 - écran protecteur | 16 - poignée |
| 6 - meule Ø 145x3.2x22.2 | 17 - vis M6x25 fixation poignée |
| 7 - meule Ø 145x4.7x22.2 | 18 - écrou M6 fixation poignée |
| 8 - meule Ø 145x6x22.2 | 19 - gabarit affûtage |
| 9 - protection supplémentaire meule | 20 - bloc d'avivage |
| 10 - vis M5x12 fixation protections | 21 - clé Allen 4 mm |
| 11 - rondelles pour vis M5 | 22 - clé Allen 5 mm |

13. CONTRÔLE MEULE

Maintenir la meule suspendue à l'aide du trou central. Battre délicatement le bord de la meule (fig.3) à l'aide d'un objet métallique. Dans le cas où serait émis un bruit sourd non métallique, cela peut indiquer que la meule est endommagée: **ne pas l'utiliser!**

14. INSTALLATION

ATTENTION

Veiller à ce que la machine ne soit pas fixée à hauteur des yeux de l'opérateur. Il est recommandé d'effectuer le montage à une hauteur maximum de 1,2 - 1,3 m environ par rapport au sol.

La machine peut être fixée sur un établi ou sur un mur.

14.1 FIXATION SUR ÉTABLI

- **Fixation base (fig.4):** utiliser 2 vis M8 avec rondelles et écrous (non fournis) à mettre en place dans les trous de fixation F4. Veiller à positionner la base sur le plan de travail comme indiqué sur la figure.
- **Montage bras (fig.5):** pour fixer le bras-moteur à la base, introduire la vis V5 dans le trou F5 prévu à cet effet. Sur la partie postérieure, introduire la rondelle R5 et visser la poignée M5.


14.2 FIXATION MURALE

- **Fixation base (fig.6):** utiliser 2 chevilles avec vis et rondelles (non fournies) à mettre en place dans les trous de fixation F6.
- **Montage bras (fig.5):** pour fixer le bras-moteur à la base, introduire la vis V5 dans le trou F5 prévu à cet effet. Sur la partie postérieure, introduire la rondelle R5 et visser l'écrou D5.

14.3 FIXATION POIGNÉE (FIG.7)

- Introduire la vis V7 dans le trou correspondant sur le bras et la fixer à l'aide l'écrou D7.
- Visser complètement la poignée I7 sur la vis V7.

14.4 FIXATION PROTECTIONS MEULE

 Durant ces opérations, veiller à ne pas serrer excessivement les vis, pour ne pas endommager les protections.

- Démontez la vis V8 et la bride F8, présentes sur le moyeu (fig.8).
- Fixer la protection P9, en vissant la vis V9, avec rondelle R9, dans le trou correspondant F9 (fig.9).
- Fixer l'écran d'arbre P10, en vissant la vis V10, avec rondelle R10, dans le trou correspondant de fixation F10 (fig.10).

15. INFORMATIONS SUR LA CHAÎNE


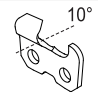
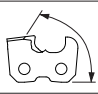

La chaîne doit être entièrement contrôlée avant l'affûtage pour s'assurer de son bon état.

(fig.11) Les parties de la dent sont les suivantes:	(fig.12) Les parties de la chaîne sont les suivantes:
1 couteau supérieur	1 maillon de jonction
2 tranchant couteau supérieur	2 dent gauche
3 gorge	3 dent droite
4 gorge d'affûtage	4 maillon d'entraînement
5 jauge de profondeur	5 rivet
6 nez	
7 talon	
8 trou rivet	

16. IDENTIFICATION DE LA CHAÎNE

- Avant de procéder à l'affûtage, il est nécessaire de connaître le type de chaîne et les angles de réglage correspondant. Ces caractéristiques figurent dans le manuel d'utilisation de la scie électrique sur laquelle la chaîne est montée ou dans l'emballage de la chaîne.
- Sur le maillon d'entraînement figure généralement le code d'identification de la chaîne.
- L'identification de la chaîne peut également être obtenue en utilisant un gabarit et un pied à coulisse.
- En fin de manuel, figure le TABLEAU DES CHAÎNES.

Dans les colonnes du tableau ci-dessous figurent les données suivantes:

A		Angle d'affûtage supérieur (rotation étau)
B		Angle bas (inclinaison étau)
C		Angle de coupe (rotation bras)
D		Profondeur jauge de profondeur

16.1 RELEVÉ AVEC INSTRUMENT (FIG.13)

- a - en utilisant le profil approprié, établir la profondeur de la jauge de profondeur.
- b - en plaçant le gabarit contre ce côté, établir le PAS de la chaîne.
- c - en plaçant le gabarit contre ce côté, il est possible d'établir la longueur de la dent.
- d - la largeur du maillon d'entraînement peut être mesurée à l'aide d'un instrument approprié (par exemple un pied à coulisse).


17. RECOMMANDATIONS RELATIVES A LA MEULE

- utiliser la meule adaptée au type de chaîne à affûter (à cet effet, consulter le tableau des chaînes joint au présent manuel).
- ne pas introduire une meule sur le moyeu en forçant et ne pas modifier le diamètre du trou de centrage. Éviter d'utiliser des meules qui ne s'adapteraient pas parfaitement au moyeu.
- le montage de la meule doit impérativement s'effectuer sur un moyeu et une bride propres et non endommagés.
- s'assurer que les diamètres externes du moyeu et de la bride sont identiques.

18. MONTAGE DE LA MEULE

- Desserrer la vis V10 et tourner la protection P10 (fig.14).
- Choisir la meule en fonction du type de chaîne à affûter (voir colonne H dans le tableau des chaînes).
- Introduire et centrer parfaitement la meule sur le logement du moyeu prévu à cet effet (fig.14-15).
- Introduire la bride F8 et visser la vis V8 (fig.14).

Lors du montage de la bride, veiller à ce qu'elle soit orientée comme indiqué à la fig.15-16.

 Une meule montée avec des brides excessivement serrées peut se rompre durant le fonctionnement et compromettre la sécurité de l'opérateur. Pour prévenir ce risque, serrer la vis M6x25 à **7 Nm** (si possible, contrôler le degré de serrage à l'aide d'une clé dynamométrique).

- Refermer la protection P10 et visser la vis correspondante V10.

19. CONTRÔLE DU MONTAGE DE LA MEULE

- se placer latéralement par rapport à la meule, mettre en marche la meuleuse et s'assurer visuellement que la meule n'oscille pas, ni latéralement ni transversalement, en provoquant des vibrations anormales.
 - si tel est le cas, arrêter immédiatement la machine et contrôler le montage de la meule. Au besoin, changer la meule en la remplaçant par une neuve d'origine.
- Une meule à peine montée doit toujours être testée à la vitesse de fonctionnement pendant au moins une minute avant de procéder au meulage, en restant à bonne distance et en veillant à ce qu'aucune personne ne se trouve à proximité de l'appareil.

20. BRANCHEMENT ÉLECTRIQUE

- s'assurer que tension et fréquence du secteur d'alimentation électrique sont conformes aux valeurs indiquées sur la plaque des données techniques.
- La tension d'alimentation ne doit pas s'écarter de celle indiquée sur la plaque de plus de ±5%.
- Le branchement au secteur d'alimentation électrique doit être conforme aux normes en vigueur dans le pays où l'appareil est utilisé.
- La prise de courant utilisée pour l'appareil doit être reliée à la terre, équipée de fusible et protégée par un interrupteur magnétothermique différentiel d'une sensibilité non supérieure à 30 mA.

21. MISE EN MARCHÉ

- Bloquer le bras en position complètement relevée (le bouton de sécurité doit être relâché).
- Introduire la fiche du câble d'alimentation dans la prise de courant.

22. CONTRÔLE DU PROFIL DE LA MEULE

- Alors que la machine est éteinte, contrôler le profil de la meule à l'aide du gabarit prévu à cet effet (fig.17); au besoin, rétablir le bon profil en ravivant la meule.

23. AVIVAGE DE LA MEULE



Se munir des dispositifs de protection individuelle.

- Mettre en marche la meuleuse en plaçant l'interrupteur sur la position "1".
- Après la mise en marche, la lampe d'éclairage de la zone d'affûtage s'allume.
- Retoucher le profil de la meule à l'aide du bloc d'avivage, en observant une grande précaution et en le tenant des deux mains pour garantir une prise efficace et sûre (fig.18).
- Arrêter la machine et contrôler ensuite le profil obtenu à l'aide du gabarit (fig.19).

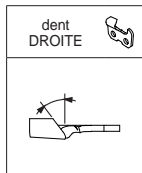


Le contact avec la meule alors qu'elle tourne à haute vitesse peut provoquer des brûlures et des égratignures.

24. RÉGLAGE DE LA MEULEUSE

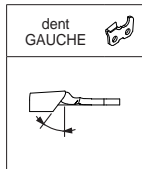
24.1 ANGLES D'AFFÛTAGE

- Après avoir établi le type de chaîne à affûter, établir les angles de réglage (étau et bras) en consultant le tableau des chaînes (colonnes A/B/C).



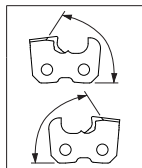
24.2 RÉGLAGE ANGLE D'AFFÛTAGE SUPÉRIEUR (FIG.20-21)

- Desserrer la poignée M20.
- Tourner l'étau dans le sens des aiguilles d'une montre.
- Positionner la référence "0" de l'étau à hauteur de l'angle voulu.
- Revisser la poignée M20.



24.3 RÉGLAGE ANGLE D'AFFÛTAGE SUPÉRIEUR (FIG.20-22)

- Desserrer la poignée M20.
- Tourner l'étau dans le sens contraire des aiguilles d'une montre.
- Positionner la référence "0" de l'étau à hauteur de l'angle voulu.
- Revisser la poignée M20.

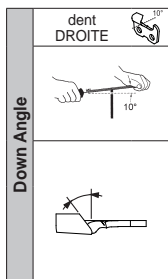


24.4 RÉGLAGE ANGLE DE COUPE (FIG.23) (dents droites et gauches)

- Desserrer la poignée postérieure M23 et tourner le bras vers la droite. Positionner la référence "0", à hauteur de l'angle voulu.
- Revisser la poignée M23.

24.5 ANGLES D'AFFÛTAGE POUR CHAÎNES A "DOWN ANGLE"

- Établir les angles de réglage comme indiqué précédemment.
- Procéder au réglage d'une autre position d'affûtage: l'angle bas. Pour connaître les chaînes qui nécessitent ce type de réglage, faire référence à la colonne B du tableau des chaînes.

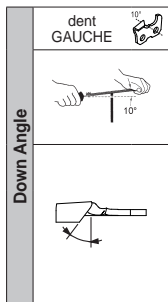


24.6 RÉGLAGE ANGLE BAS (FIG.25)

- Desserrer la poignée M20.
- Faire basculer complètement l'étau vers l'intérieur, en faisant coïncider la référence de gauche avec celle située au-dessous.

24.7 RÉGLAGE ANGLE D'AFFÛTAGE SUPÉRIEUR (FIG.26)

- Tourner l'étau dans le sens des aiguilles d'une montre.
- Positionner la référence "DOWN 10" (de droite) de l'étau à hauteur de l'angle voulu.
- Revisser la poignée M20.

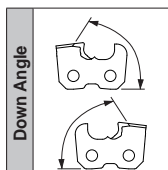


24.8 RÉGLAGE ANGLE BAS (FIG.27)

- Desserrer la poignée M20.
- Faire basculer complètement l'étau vers l'opérateur, en faisant coïncider de droite avec celle située au-dessous.

24.9 RÉGLAGE ANGLE D'AFFÛTAGE SUPÉRIEUR (FIG.28)

- Tourner l'étau dans le sens contraire des aiguilles d'une montre.
- Positionner la référence "DOWN 10" (de gauche) de l'étau à hauteur de l'angle voulu.
- Revisser la poignée M20.



24.10 RÉGLAGE ANGLE DE COUPE (FIG.24) (dents droites et gauches)

- Desserrer la poignée postérieure M23 et tourner le bras vers la droite. Positionner la référence "DOWN 10" à hauteur de l'angle voulu.
- Revisser la poignée M23.

24.11 RÉGLAGE DE L'ARRÊT DE CHAÎNE (FIG.29)

- Introduire la chaîne sur l'étau.
- Amener la dent en butée contre l'arrêt de chaîne A29.
- Intervenir sur le bouton P29 pour positionner correctement l'arrêt A29 par rapport à la dent.

24.12 POSITIONNEMENT DE LA DENT

- Appuyer sur le bouton de sécurité P17, pour débloquer le bras (fig.22).
- Amener la meule sur la dent à affûter, en tirant le bras vers le bas.
- Intervenir sur le bouton P30, pour déplacer la chaîne, de telle sorte que le tranchant de la dent effleure la meule (fig.30). Durant cette opération, la chaîne doit se déplacer librement sur l'étau mais sans jeu.
- Ensuite, relever le bras et visser le bouton P30 pour faire avancer plus encore la dent à affûter.

Cette avance correspond à la quantité de matériau qui sera éliminé de la dent.

Plus l'usure des dents est importante et plus cette avance doit l'être elle aussi. Inversement, pour des dents peu usées, une élimination minimale de matériau est suffisante.

- Intervenir sur le bouton P31 pour régler la profondeur d'affûtage de la dent. La meule doit effleurer verticalement le fond de la dent (fig.31).
- Une fois qu'a été établie la bonne position de la dent, serrer la poignée de blocage de la chaîne M32 (fig.32).

En tirant la poignée M32 vers l'opérateur, il est possible de la repositionner pour faciliter l'affûtage.

25. RECOMMANDATIONS POUR L'AFFÛTAGE



- Durant l'opération d'affûtage, veiller à faire usage des dispositifs de protection individuelle.



- Tous les réglages doivent s'effectuer alors que le moteur est éteint et que la meule n'est pas en mouvement.
- En cas de chocs accidentels contre la meule durant l'affûtage, procéder comme indiqué dans le chapitre RECOMMANDATIONS RELATIVES A LA MEULE.

- Il est recommandé de nettoyer la chaîne avant de procéder à son affûtage.
- Pour ne pas solliciter excessivement le moteur et pour ne pas endommager les dents de la chaîne, éliminer une quantité minimale de matériau et ne pas insister trop longtemps sur la même dent pour ne pas risquer de brûler le tranchant.
- Affûter toutes les dents du même côté puis, en réglant l'étau comme indiqué dans les chapitres précédents, affûter les dents du côté opposé.
- Durant l'affûtage ne pas utiliser de liquide de refroidissement.

26. AFFÛTAGE DE LA CHAÎNE

- S'assurer que la poignée de serrage de l'étau M32 est vissée et que la chaîne est bloquée.
- Mettre en marche la machine à l'aide de l'interrupteur I33, appuyer sur le bouton P17 pour débloquer le bras et procéder à l'affûtage de la dent en abaissant le bras-moteur (fig.33).
- Après l'affûtage, relever le bras et desserrer la poignée M32.
- Faire avancer la chaîne pour positionner la dent suivante à affûter.
- Bloquer à nouveau à l'aide de la poignée M32 et procéder à nouveau à l'affûtage.

27. CORRECTION DE L'USURE DE LA MEULE

- Quand le diamètre de la meule s'use et atteint une dimension comprise sur la zone A présente sur la protection de la meule (fig.34), il est nécessaire de repositionner le groupe étau. Ceci permet de maintenir inchangées les conditions de travail de la meuleuse.
- Desserrer les vis de fixation V35 (fig.35).
- Déplacer le groupe étau vers la droite en faisant coïncider la référence "A" avec l'encoche présente sur le groupe étau (fig.36).
- Visser les vis de fixation V35.

28. PROFILAGE DE LA MEULE POUR AFFÛTAGE JAUGE DE PROFONDEUR

- Mettre en place la meule de 6 mm d'épaisseur (fig.37), en suivant les indications des points 13-17-18-19.
- Tourner l'étau en amenant la référence "0" sur la position 0 (fig.38).
- Tourner le bras en amenant la référence "0" sur 10°/15° (fig.38).
- Positionner le bloc d'avivage sur les mâchoires et contre l'arrêt de chaîne (fig.38).
- Appuyer sur le bouton de sécurité pour débloquer le bras.



Tenir fermement le bloc d'avivage d'une main (en veillant à ne pas toucher la meule).

- Procéder au profilage de la meule en actionnant la machine et en éliminant le matériau de la meule jusqu'à ce que soit obtenu un profil comme indiqué à la fig.38.
- Éteindre la machine une fois l'opération effectuée.

29. AFFÛTAGE DE LA JAUGE DE PROFONDEUR

- Retirer le bloc d'avivage et mettre en place la chaîne sur l'étau.
- Centrer la dent, par rapport à la meule, en intervenant sur les boutons (P29 et P30).
- En maintenant le bras incliné, régler la profondeur d'élimination sur la jauge de profondeur, en intervenant sur le bouton P31 (fig.39).

- Procéder à l'affûtage de la jauge de profondeur conformément aux indications du chapitre AFFÛTAGE. Pour cet affûtage, aucune différence ne doit être faite entre les dents droites et les dents gauches; aussi toutes les jauges de profondeur peuvent être affûtées les uns après les autres.
- Contrôler la profondeur de la jauge de profondeur, en utilisant le gabarit avec le profil correspondant au type de chaîne utilisée (fig.40). Faire également référence au tableau des chaînes, colonne D.

30. ARRÊT ET MISE EN CONDITION DE REPOS

30.1 ARRÊT

Éteindre l'appareil en plaçant l'interrupteur sur la position "0" puis débrancher la fiche du câble d'alimentation de la prise de courant.

30.2 MISE EN CONDITION DE REPOS

Une fois les opérations de travail terminées, débrancher et nettoyer soigneusement l'appareil.

Le ranger à un endroit à l'abri de la poussière et de l'humidité.

30.3 ENTRETIEN COURANT

 Avant de procéder à quelque intervention d'entretien que ce soit sur l'appareil, effectuer les opérations décrites dans le chapitre ARRÊT.

Fréquence d'intervention	Intervention
Quand la meule a atteint un diamètre minimum d'environ 105 mm	Changer la meule.
40 heures	Nettoyer soigneusement l'ampoule à l'aide d'un chiffon ou d'une petite brosse. Ne pas utiliser d'air comprimé.
	Nettoyer soigneusement la meuleuse à l'aide d'un chiffon ou d'une petite brosse. Veiller à bien nettoyer le moteur électrique et les guides de coulissement. Ne pas utiliser d'air comprimé.


30.4 DÉPLACEMENT ET TRANSPORT


- dans le cas où il serait nécessaire de transporter l'appareil, le retirer de sa fixation sur établi ou de sa fixation murale, démonter la meule et ranger toutes les pièces dans un emballage permettant de les mettre à l'abri des chocs.

30.5 DÉMOLITION ET MISE AU REBUT

La démolition de l'appareil doit être exclusivement confiée à un personnel qualifié et effectuée en conformité à la législation en vigueur dans le pays où il a été installé.



Le symbole  (présent sur la plaque des données techniques) rappelle que le produit ne doit pas être éliminé conjointement aux ordures ménagères. Pour son élimination, s'adresser à un centre agréé ou au revendeur.

 Avant de procéder à la mise au rebut de l'appareil, le rendre inutilisable (par exemple en coupant le câble d'alimentation) et faire en sorte que toute partie dangereuse ne puisse être utilisée par les enfants comme jouet.

31. PROBLÈMES, CAUSES ET SOLUTION



Avant de procéder à quelque intervention que ce soit sur l'appareil, effectuer les opérations décrites dans le chapitre ARRÊT.

Problème	Cause probable	Solution
Après avoir placé l'interrupteur sur la position "1", l'appareil ne se met pas en marche.	Intervention d'un des dispositifs de sécurité du secteur d'alimentation auquel l'appareil est branché (fusible, interrupteur différentiel, etc.)	Réarmer le dispositif de protection. En cas de nouvelle intervention du dispositif de protection, ne pas utiliser l'appareil et s'adresser à un technicien qualifié .
	La fiche du câble d'alimentation est mal branchée.	Débrancher la fiche et le rebrancher correctement.
Après avoir placé l'interrupteur sur la position "1", l'ampoule ne s'allume pas.	L'ampoule est mal vissée sur la douille.	Visser correctement l'ampoule.
	L'ampoule est grillée.	Changer l'ampoule.
L'appareil vibre de manière anormale.	L'appareil n'est pas fixé correctement.	Contrôler la fixation et, au besoin, serrer correctement les vis de fixation.
	Le groupe bras-moteur n'est pas correctement fixé à la base.	Serrer correctement la poignée de blocage.
	Le groupe étau n'est pas correctement fixé à la base.	Serrer correctement la poignée de blocage.
	La meule n'est pas correctement montée dans son logement sur le moyeu.	Démonter la meule, en contrôler l'état et la remonter correctement.

- dans le cas où il ne serait pas possible de rétablir le bon fonctionnement de l'appareil, en dépit des opérations indiquées dans le tableau ci-dessus, s'adresser à un technicien qualifié.

INTRODUCCIÓN

POR SU PROPIA SEGURIDAD NO COMENZAR A TRABAJAR CON LA AFILADORA SIN HABER LEÍDO PREVIAMENTE EL MANUAL.

Conservar este manual para referencia futura, para un correcto empleo de la afiladora y para evitar accidentes. No comenzar a trabajar sin haber leído el manual cuidadosamente. En el presente manual se podrán encontrar las explicaciones de funcionamiento de los diversos componentes y las instrucciones para realizar los controles necesarios y el mantenimiento.

1. NORMAS DE SEGURIDAD Y PRECAUCIONES

! ¡ATENCIÓN! - ¡El uso de accesorios u otros suplementos no recomendados por el fabricante puede resultar en riesgo de lesiones!
Todas las operaciones de mantenimiento no descritas en el presente manual se deben realizar en un centro AUTORIZADO de servicio técnico.

! ¡PRECAUCIÓN! Seguir las siguientes instrucciones cuidadosamente para reducir el riesgo de contragolpe a causa de cadenas de sierra mal afiladas.

- 1 - USUARIOS. La afiladora debe ser usada únicamente por personas adultas. Los usuarios deben estar en buen estado físico y deben tener conocimiento de las instrucciones de uso.
- 2 - MANTENER ALEJADOS A LOS NIÑOS. Mantener a los niños a una distancia prudente de la zona de trabajo.
- 3 - USAR VESTIMENTA APROPIADA. Nunca usar ropas holgadas, brazaletes, corbatas, anillos o cualquier otro artículo de joyería que pudiese entrar en contacto o quedar enganchado en la muela u otras partes móviles. Se recomienda usar calzado antideslizante y cofia para el cabello para mantenerlo recogido.
- 4 - SIEMPRE USAR GAFAS PROTECTORAS O MASCARILLA. Usar siempre guantes y gafas protectoras al utilizar la afiladora y al colocar la piedra de reparar. Usar también mascarilla si las condiciones de corte fuesen polvorientas. Las gafas comunes son resistentes únicamente al impacto, NO son gafas protectoras.
- 5 - NUNCA DETENER LA MUELA CON LAS MANOS. Nunca intentar detener con las manos la rotación de la muela.
- 6 - DESCONECTAR LAS HERRAMIENTAS antes de efectuar el mantenimiento. Desconectar el cable de alimentación antes de realizar el montaje de la muela o cualquier otra operación de mantenimiento y transporte.
- 7 - MANTENER LAS PROTECCIONES EN SU LUGAR Y EN BUENAS CONDICIONES DE FUNCIONAMIENTO. Nunca encender la afiladora sin que las protecciones de la muela estén en su lugar.
- 8 - RETIRAR LLAVES DE AJUSTE Y LLAVES DE TUERCAS. Antes de encender la afiladora, asegurarse de quitar las llaves de ajuste y llaves de tuercas de la herramienta.
- 9 - NO FORZAR LA HERRAMIENTA. Ésta realizara un trabajo mejor y con mayor seguridad a la velocidad para la que está diseñada. Cada afiladora tiene una placa de características que indica:
 - tamaño de eje: Ø .866" (22 mm.)
 - velocidad sin carga en r.p.m.: R.P.M. 3400
 - leer siempre el manual de instrucciones antes de hacer funcionar la máquina
 - siempre usar protectores oculares y faciales
 - siempre usar la muela correcta
- Asegurarse de que la tensión y frecuencia indicadas en la placa de características colocada en la afiladora correspondan a las de la red eléctrica.
- 10 - REDUCIR EL RIESGO DE ENCENDIDO INVOLUNTARIO. Asegurarse siempre de que el interruptor de encendido esté en posición "0" (APAGADO) antes de conectar el cable de alimentación al tomacorriente.
- 11 - NUNCA USAR CABLES, ENCHUFES O CABLES ALARGADORES DEFECTUOSOS O QUE NO SEAN HOMOLOGADOS.
- 12 - DESCONECTAR INMEDIATAMENTE EL ENCHUFE de la red si el cable se encuentra dañado o cortado; para su reparación o sustitución dirigirse al revendedor o a un centro de asistencia autorizado. El cable de alimentación está provisto de terminales con protección. La conexión eléctrica interna consiste en introducir los terminales del cable de alimentación directamente en el interruptor. La conexión con la red eléctrica se debe realizar de modo tal que ni personas ni vehículos puedan dañarla evitando así riesgos para aquellos y para el usuario.
- 13 - MANTENER LA ZONA DE TRABAJO LIMPIA. Las áreas atestadas de elementos o bancos propician accidentes. Antes de encender la afiladora, asegurarse de que la zona de trabajo de la misma esté libre de utensilios u otros objetos. Limpiar con frecuencia el polvo que se acumula detrás de la muela de la afiladora.
- 14 - NO UTILIZAR EN AMBIENTES PELIGROSOS. No usar herramientas eléctricas en lugares húmedos o mojados ni exponerlas a la lluvia. Mantener la zona de trabajo bien iluminada.

- 15 - DURANTE EL FUNCIONAMIENTO, CONTROLAR LA POSICIÓN DEL CABLE DE ALIMENTACIÓN de manera que siempre quede lejos del radio de acción de la muela y que nunca esté tenso. Nunca hacer funcionar la afiladora cerca de otros cables eléctricos.
- 16 - DIRECCIÓN DE CORTE. Apoyar la hoja o cortadora sobre el material de trabajo únicamente en el sentido contrario al de rotación de la hoja o cortadora. No efectuar el avance de la cadena con la mano izquierda antes de que la muela esté completamente lejos de la zona de trabajo.
- 17 - TRANSFORMAR EL TALLER EN UN LUGAR A PRUEBA DE NIÑOS utilizando candados e interruptores maestros. No permitir que otras personas permanezcan cerca de la afiladora ni que toquen el cable de alimentación durante su funcionamiento.
- 18 - MANTENER SIEMPRE SECAS Y LIMPIAS LAS EMPUÑADURAS.
- 19 - Antes de encender la afiladora, ASEGURARSE DE QUE LA MUELA ESTÉ FIJADA EN FORMA CORRECTA y de que no esté en contacto con la zona de trabajo. No ajustar demasiado la tuerca de la muela.
- 20 - FIJAR LOS ELEMENTOS DE TRABAJO. Asegurarse de que la máquina esté fijada correctamente, como se muestra en Figura 1. Usar la morsa para sujetar la cadena. Dejar ambas manos libres para mover la afiladora para amolar la cadena.
- 21 - NO ESTIRARSE EXCESIVAMENTE PARA EFECTUAR UN TRABAJO. Mantener el equilibrio y una buena base de apoyo en todo momento.
- 22 - NO PISAR LA HERRAMIENTA. Trabajar siempre en una posición estable y segura. Si la herramienta se inclina o se toca la herramienta de corte accidentalmente se pueden producir lesiones graves.
- 23 - SEGUIR SIEMPRE LAS INSTRUCCIONES PREVISTAS PARA LAS OPERACIONES de mantenimiento.
- 24 - CONTROLAR LAS PIEZAS DAÑADAS. Antes de utilizar la afiladora asegurarse de que todos los dispositivos de seguridad y demás dispositivos, estén en correcto estado de funcionamiento. Se debe controlar cuidadosamente la protección, la muela o cualquier otra pieza que esté dañada para determinar si puede funcionar apropiadamente y cumplir con la función para la que fue diseñada. Controlar el alineamiento y agarramiento de piezas móviles, rotura de piezas, montaje, y cualquier otra anomalía que pudiese afectar el rendimiento de la herramienta. Reparar apropiadamente o reemplazar inmediatamente una protección, una muela o cualquier otra pieza que esté dañada.
- 25 - USAR ACCESORIOS RECOMENDADOS. Consultar el manual del usuario para ver los accesorios recomendados. El uso de accesorios inapropiados puede producir riesgo de lesiones. Usar únicamente bridas provistas con la afiladora. Para garantizar un constante y normal funcionamiento de la afiladora, recordar que las eventuales sustituciones de las piezas de repuesto se deben efectuar únicamente con REPUESTOS ORIGINALES.
- 26 - USAR SOLAMENTE MUELAS RECOMENDADAS.
- 27 - CONTROLAR LA MÁQUINA. Nunca trabajar con una afiladora dañada, mal reparada, mal montada o modificada arbitrariamente. No quitar, dañar o desactivar ningún dispositivo de seguridad.
- 28 - USAR LA HERRAMIENTA CORRECTA. Nunca utilizar la afiladora como cortadora o para amolar objetos que no sean cadenas de corte. No forzar la herramienta o los accesorios para realizar un trabajo para el cual no fueron diseñados.
- 29 - PRESTAR LA AFILADORA ÚNICAMENTE A PERSONAS EXPERTAS que tengan conocimiento sobre su funcionamiento y correcta utilización. Entregarles siempre el manual de instrucciones para leer antes de comenzar un trabajo.
- 30 - CONSERVAR LAS HERRAMIENTAS CUIDADOSAMENTE. Mantener las herramientas afiladas y limpias para su mayor rendimiento y seguridad. Seguir las instrucciones para la lubricación y sustitución de los accesorios.
- 31 - CONSERVAR LA AFILADORA EN LUGAR SECO, elevado respecto del suelo y fuera del alcance de los niños.
- 32 - NUNCA EXPONER LA AFILADORA A LA LLUVIA O A LA HUMEDAD.
- 33 - NUNCA UTILIZAR LA AFILADORA EN ATMÓSFERA EXPLOSIVA O INFLAMABLE.
- 34 - LLEVAR LA AFILADORA AL REVENDEDOR. Cuando la afiladora no funcione correctamente, no dejarla en el lugar de trabajo o en cualquier lado. Dirigirse al revendedor quien la almacenará y la eliminará correctamente.
- 35 - CONSULTAR SIEMPRE A SU REVENDEDOR para aclarar dudas o para realizar cualquier operación de mantenimiento o reparación importante.
- 36 - NO TIRAR DEL CABLE DE ALIMENTACIÓN PARA DESCONECTARLO DEL TOMACORRIENTE. Mantener el cable lejos de fuentes de calor, aceite, u objetos cortantes.
- 37 - USAR CABLES ALARGADORES APROPIADOS. Verificar que el cable alargador esté en buenas condiciones. Al usar cable alargador, asegurarse de utilizar uno lo suficientemente fuerte para conducir la corriente que le exigirá la herramienta. Un cable alargador de menor dimensión puede provocar una caída de tensión de línea que a su vez causará pérdida de energía eléctrica y recalentamiento. La tabla 1 muestra la medida correcta dependiendo de la longitud del cable y el amperaje que figura en la placa de características. En caso de duda, usar el calibre inmediatamente mayor. Mientras menor sea el número de calibre, mayor será el cable.

Tabla 1 - Calibre mínimo para el cable

Amperaje		Voltios	Longitud total de cable en pies				
			120 V~	25 ft.	50 ft.	100 ft.	150 ft.
			240 V~	50 ft.	100 ft.	200 ft.	300 ft.
Más de	Hasta	Capacidad necesaria					
0	6		18	16	16	14	
6	10		18	16	14	12	
10	12		16	16	14	12	
12	16		14	12	No recomendado		

Incluir únicamente las partes aplicables de la Tabla. Por ejemplo, un producto de 120V~ no necesita incluir el título 240V~.

⚠ PRECAUCIÓN - PREPARACIÓN DE LA AFILADORA
 La afiladora debe estar en un lugar protegido del polvo y la humedad, bien iluminado, fuera del alcance de los niños y lejos de gases u otros líquidos explosivos o inflamables. La afiladora debe estar situada cerca de un tomacorriente normal con conexión a tierra. Evitar usar cables alargadores peligrosos.

****INSTRUCCIONES PARA LA PUESTA A TIERRA.**

A. En caso de malfuncionamiento o avería, la puesta a tierra ofrece un circuito con menor resistencia para la corriente eléctrica el cual reduce el riesgo de choque eléctrico. Esta herramienta cuenta con un cable de alimentación eléctrica equipado con un conductor y un enchufe con puesta a tierra. Introducir el enchufe en un tomacorriente correctamente instalado con puesta a tierra de acuerdo con los códigos y la normativa locales.

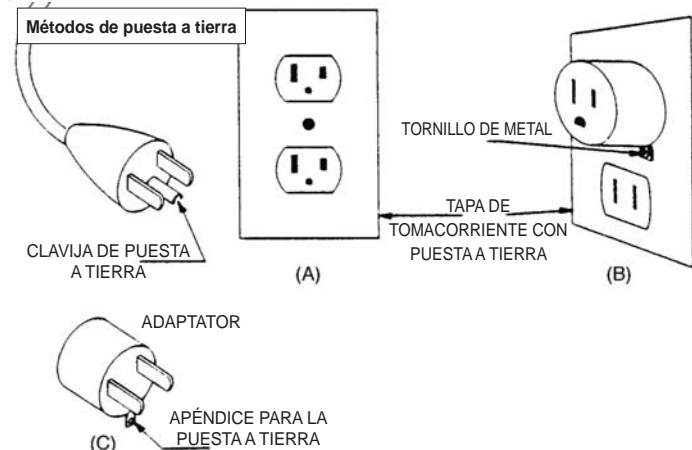
No cambiar el enchufe original. Si éste no puede introducirse en el tomacorriente, contactar a un electricista cualificado para que instale un tomacorriente apropiado. Una conexión inapropiada del conductor con puesta a tierra puede resultar en riesgo de choque eléctrico. El conductor con aislamiento de color verde con o sin rayas amarillas es el conductor con puesta a tierra. Si es necesario reparar o sustituir el cable eléctrico o el tomacorriente, no conectar el conductor con puesta a tierra a una terminal con corriente.

En caso de que no se hubiese entendido el procedimiento de puesta a tierra o que hubiesen quedado dudas al respecto, contactar un electricista o personal de mantenimiento cualificado para que verifique la correcta puesta a tierra de la herramienta.

Usar únicamente cables alargadores de 3 hilos que tienen enchufes de puesta a tierra de 3 clavijas y receptáculos de 3 polos que acepten el enchufe de la herramienta. Reparar o sustituir inmediatamente el cable dañado o gastado.

B. Herramienta con cable y puesta a tierra para ser utilizado en un circuito de suministro con una tensión nominal menor a 150V~.

Esta herramienta esta diseñada para ser utilizada en un circuito que tiene un tomacorriente como el que se muestra en el dibujo A de la figura. La herramienta tiene un enchufe con puesta a tierra como el que se muestra en el dibujo A de la figura. En caso de que no haya un tomacorriente con puesta a tierra apropiado, un adaptador temporal, como el que se muestra en los dibujos B y C, puede ser usado para conectar este enchufe a un receptáculo de 2 polos como se muestra en el dibujo B. Usar el adaptador temporal únicamente hasta que un electricista cualificado instale un tomacorriente con puesta a tierra. La lengüeta rígida, aleta, o apéndice similar de color verde que sobresale en el adaptador debe estar conectado a tierra permanentemente como por ejemplo al estar unido a un tomacorriente con puesta a tierra.



2. INFORMACIONES GENERALES

- El Fabricante no se considerará responsable por los daños que deriven de:
- incumplimiento de cuanto está contenido en el manual de instrucciones;
 - distintas utilizations de la unidad respecto a aquellas expuestas en el párrafo "DESTINO PARA EL USO";
 - utilizations en contraste con las normas en vigor sobre la seguridad y prevención de los accidentes en el trabajo;
 - instalación incorrecta;
 - carencias en el mantenimiento previsto;
 - modificaciones o intervenciones no autorizadas por el Fabricante;
 - uso de piezas de repuesto no originales o inadecuadas;
 - reparaciones no realizadas por un Técnico Especializado.

3. GARANTÍA

La validez de la garantía del producto es aquella reconocida por el país de venta. La solicitud de la garantía sólo tiene valor si se acompaña con una copia del documento de compra (factura o ticket de la caja).

La garantía caduca si:

- se alteró la unidad;
- no se utilizó la unidad en el modo indicado por este manual de instrucciones;
- en la unidad se montaron piezas, equipos o esmeriles no originales y/o sin la autorización del Fabricante;
- la unidad se conectó a una tensión o frecuencia distinta de aquella indicada en la chapa con los datos técnicos.

4. UTILIZACIÓN Y CONSERVACIÓN DEL MANUAL DE INSTRUCCIONES

Las características y los datos de este manual son indicativas. El Fabricante se reserva el derecho de realizar todas las modificaciones que considere necesarias en la unidad. Está prohibido reproducir cualquier parte de esta publicación sin la autorización del Fabricante.

El manual de instrucciones forma parte integral de la unidad y se tiene que conservar en un lugar protegido, que permita una rápida consulta en caso de necesidad. En caso de deterioro o pérdida del manual, solicite una copia a su propio vendedor o a un centro de asistencia autorizado. Si se transfiriera la unidad a otro utilizador, adjunte también el manual de instrucciones.

5. DEFINICIONES

Técnico Especializado: persona, generalmente del centro de asistencia, especialmente capacitada para realizar intervenciones de mantenimiento extraordinario y reparaciones en la unidad.

6. SÍMBOLOS

	Este símbolo, indica la gran posibilidad de daños a la persona, si no se respetan las respectivas prescripciones e indicaciones.
	Este símbolo, indica utilizar gafas de protección durante la utilización de la unidad.
	Este símbolo, indica utilizar guantes de protección durante la utilización de la unidad.
	Este símbolo, indica el sentido de rotación de la herramienta (esmeril) cuando la unidad está funcionando.

7. DATOS TÉCNICOS

Modelo	511AX
Tensión	120V~ 60Hz
Potencia nominal	300W
Dimensiones de los esmeriles	Øext 145 mm (5-3/4")
	Øint. 22,2 mm (7/8")
	Espesores 3.2 - 4.7 - 6.0 mm (1/8"-3/16"-1/4")
Velocidad máxima del esmeril	3400 min ⁻¹
Potencia máx. de la bombilla	15W
Nivel de presión acústica	77 dB(A)
Nivel de las vibraciones transmitidas a la empuñadura	< 2,5 m/s ²
Tipos de cadenas a esmerilar	1/4" - .325" - 3/8" - .404" - 3/4"
Masa (máquina completa)	6 kg

8. IDENTIFICACIÓN DE LOS COMPONENTES (FIG.1)

- | | |
|------------------------------------|---|
| 1 base | 11 empuñadura brazo |
| 2 grupo brazo-motor | 12 protección esmeril |
| 3 grupo morsa | 13 protección complementaria |
| 4 manilla bloqueo cadena | 14 esmeril |
| 5 manopla bloqueo morsa | 15 pomo regulación profundidad esmerilado |
| 6 mordazas cadena | 16 pulsante de seguridad |
| 7 pomo regulación detención cadena | 17 bombilla |
| 8 pomo regulación detención cadena | 18 interruptor general |
| 9 detención cadena | 19 cable eléctrico de alimentación |
| 10 manilla bloqueo brazo | 20 chapa con los datos técnicos |

9. DISPOSITIVOS DE SEGURIDAD

- La unidad posee los dispositivos de seguridad que se ilustran a continuación:
- **Protecciones del esmeril:** reparan al operador contra las eventuales partes del esmeril que se puedan desprender durante las operaciones de esmerilado. Estas protecciones siempre tienen que estar montadas cuando se utiliza la máquina. Controle siempre que las protecciones estén en un perfecto estado y bien montadas. Los eventuales daños y/o fisuras comprometen la seguridad del operador.
 - **Interruptor:** la máquina posee un interruptor de seguridad con bobina de desenganche. En caso de una interrupción imprevista de la tensión de alimentación, el interruptor se desactiva automáticamente desconectando la máquina. Si hubiera una imprevista contratensión, la máquina no arrancará. Para hacer funcionar de nuevo a la máquina será necesario accionar nuevamente el interruptor.
 - **Pulsante de seguridad:** sirve para bloquear el brazo en una posición totalmente levantada. Cuando se suelta el pulsante, el brazo queda bloqueado. Esta condición es necesaria para las operaciones de regulación de los ángulos de esmerilado, cambio y avivado del esmeril. Cuando se presiona el pulsante, el brazo queda libre. Esta condición es necesaria para las operaciones de esmerilado. Si durante el trabajo, el brazo se libera repentinamente, el pulsador se pone en funcionamiento y lo bloquea en posición levantada.

10. DESTINO PARA EL USO

- Esta unidad es una esmeriladora eléctrica para cadenas de corte y se utiliza en las motosierras.
- Utilice la unidad solamente para los tipos de cadena indicados en la Tabla con los datos técnicos.
 - No utilice la unidad como cortador o para esmerilador de objetos que no sean las cadenas prescritas.

- Fije bien la unidad en el banco o en la pared.
 - La unidad no está destinada para ser utilizada en ambientes corrosivos o explosivos.
 - **Cualquier otro uso será considerado como impropio.**
- El Fabricante no se puede considerar responsable ante los eventuales daños que deriven del uso impropio o equivocado.

11. DESEMBALAJE

La esmeriladora se suministra parcialmente desmontada.

12. DOTACIÓN DE BASE (FIG.2)

- | | |
|--|---|
| 1 - base | 12 - tornillo M10x40 fijación brazo |
| 2 - grupo brazo-motor | 13 - arandela para tornillo M10 |
| 3 - manual de instrucciones | 14 - manopla detención brazo |
| 4 - comprobante de control | 15 - tuerca M10 fijación brazo |
| 5 - protección esmeril | 16 - empuñadura |
| 6 - esmeril Ø 145x3.2x22.2 | 17 - tornillo M6x25 fijación empuñadura |
| 7 - esmeril Ø 145x4.7x22.2 | 18 - tuerca M6 fijación empuñadura |
| 8 - esmeril Ø 145x6x22.2 | 19 - plantilla esmerilado |
| 9 - protección suplementaria esmeril | 20 - avivaesmeril |
| 10 - tornillos M5x12 fijación protecciones | 21 - llave hexagonal 4 mm |
| 11 - arandelas para tornillos M5 | 22 - llave hexagonal 5 mm |

13. CONTROL DEL ESMERIL

Mantenga el esmeril levantada mediante el orificio central. Golpee suavemente con un objeto metálico el borde del esmeril (fig.3). Si se emite un sonido no metálico pero amortiguado, el esmeril puede estar dañado: ¡no la utilice!

14. INSTALACIÓN

ATENCIÓN

Asegúrese que la máquina no se fije a la altura de los ojos del operador. Se aconseja el montaje a una altura máxima de aproximadamente 1,2-1,3 m del piso. La máquina se puede fijar a un banco o bien a la pared.

14.1 FIJACIÓN AL BANCO

- **Fijación de la base (fig.4):** utilice 2 tornillos M8 con arandelas y tuercas (material no provisto), introdúzcalos en los orificios de fijación F4. Preste atención durante la colocación de la base sobre la superficie de trabajo, siga el detalle de la figura.
- **Montaje del brazo (fig.5):** para fijar el brazo-motor a la base, introduzca el tornillo V5 en el respectivo orificio F5. En la parte posterior, introduzca la arandela R5 y enrosque la manopla M5.


14.2 FIJACIÓN EN LA PARED

- **Fijación de la base (fig.6):** utilice dos tarugos con los respectivos tornillos y arandelas (material no provisto), introdúzcalos en los orificios de fijación F6.
- **Montaje del brazo (fig.5):** para fijar el brazo-motor a la base, introduzca el tornillo V5 en el respectivo orificio F5. En la parte posterior, introduzca la arandela R5 y enrosque la tuerca D5.

14.3 FIJACIÓN DE LA EMPUÑADURA (FIG.7)

- Introduzca el tornillo V7 en el respectivo orificio del brazo y fjelo con la tuerca D7.
- Enrosque completamente la empuñadura I7 en el tornillo V7.

14.4 FIJACIÓN PROTECCIONES DEL ESMERIL

 Durante estas operaciones preste atención para no ajustar excesivamente a los tornillos, evitando fisurar a las protecciones.

- Desmonte el tornillo V8 y la brida F8, que están en el cubo (fig.8).
- Fije la protección P9, enroscando el tornillo V9 con la arandela R9, en el respectivo orificio F9 (fig.9).
- Fije la protección complementaria P10, enroscando el tornillo V10 con la arandela R10, en el respectivo orificio de fijación F10 (fig.10).

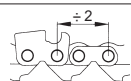

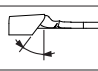
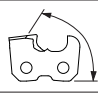
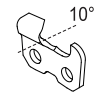
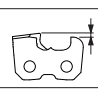
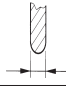

15. INFORMACIONES SOBRE LA CADENA

Es necesario controlar toda la cadena antes del esmerilado para asegurarse su buen estado.

(fig.11) Las partes del diente son:	(fig.12) Las partes de la cadena son:
1 parte superior	1 eslabón de conexión
2 ángulo de corte superior	2 diente izquierdo
3 ángulo de corte lateral	3 diente derecho
4 cavidad esmerilado	4 eslabón motriz (de arrastre)
5 delimitador de profundidad	5 remache
6 punta	
7 talón	
8 orificio remache	

16. IDENTIFICACIÓN DE LA CADENA

- Antes de efectuar el esmerilado, se necesita saber el tipo de cadena y los respectivos ángulos de regulación. Estas características se encuentran en el manual de instrucciones de la motosierra sobre la cual está montada la cadena o en el embalaje de la cadena.
- Generalmente, sobre el eslabón de arrastre, se encuentra el código de identificación de la cadena.
- La identificación de la cadena también se puede realizar mediante una medición con instrumentos o sea, utilizando plantilla y calibre.
- Al final de este manual está la TABLA LISTADO DE LAS CADENAS. Las columnas de esta Tabla contienen los siguientes datos:

A 	paso de la cadena
B 	anchura del eslabón de arrastre
C 	ángulo de esmerilado superior (rotación morsa)
D 	ángulo de corte (rotación brazo)
E 	ángulo bajo (inclinación morsa)
F 	profundidad delimitador
G 	espesor esmeril
H 	código esmeril
I códigos cadenas Oregon	N códigos cadenas Carlton
L códigos cadenas Windsor	O códigos cadenas Stihl
M códigos cadenas SARP	P códigos cadenas EM

16.1 MEDICIÓN CON INSTRUMENTOS (FIG.13)

- a -utilizando la forma adecuada, establezca la profundidad del delimitador.
- b -acercando la plantilla sobre este lado, establezca el PASO de la cadena.
- c -acercando la plantilla sobre este lado, se puede establecer la longitud del diente.
- d -la anchura del eslabón de arrastre, se puede medir mediante un instrumento adecuado (por ejemplo: calibre).


17. ADVERTENCIAS SOBRE EL ESMERIL

- utilice el esmeril apto para el tipo de cadena a esmerilar, consulte la Tabla de las cadenas adjunta en el fondo del manual.
- no introduzca con fuerza un esmeril en el cubo ni modifique el diámetro del orificio de centrado. Evite utilizar esmeriles que no se adapten perfectamente.
- para el montaje del esmeril, utilice solamente cubo y brida limpios y sin dañar.
- controle que las dimensiones de los diámetros externos del cubo y de la brida sean idénticos.

18. MONTAJE DEL ESMERIL

- Afloje el tornillo V10 y gire la protección P10 (fig.14).
- Elija el esmeril según el tipo de cadena que quiere esmerilar (columna H en la Tabla de las cadenas).
- Introduzca y centre perfectamente el esmeril en la respectiva sede del cubo (fig.14-15).
- Introduzca la brida F8 y enrosque el tornillo V8 (fig.14).


Preste mucha atención durante el montaje de la brida, la misma se tiene que orientar como se indica en la fig.15-16.

 Un esmeril instalado con bridas muy ajustadas se podría romper durante el funcionamiento poniendo en peligro al operador. Para evitar dicho riesgo apriete el tornillo M6x25 a 7 Nm (si fuese posible controle este dato con una llave dinamométrica).

- Vuelva a cerrar la protección P10 y apriete el respectivo tornillo V10.

19. CONTROL DEL MONTAJE DEL ESMERIL

- ubíquese al costado del esmeril, haga funcionar la esmeriladora y controle con la vista que el esmeril no oscile en sentido lateral ni en sentido transversal ocasionando vibraciones anómalas.
- si esto se produjera, detenga inmediatamente la máquina y controle que se haya realizado el correcto montaje del esmeril. Si fuese necesario, cambie el esmeril con otro original.

 Pruebe siempre un esmeril apenas montado a la velocidad de funcionamiento durante por lo menos un minuto antes de realizar el esmerilado, manteniéndose apartado y controlando que otras personas no estén cerca de la unidad.

20. CONEXIÓN ELÉCTRICA

- Controle que la alimentación de la instalación eléctrica respete los valores indicados en la chapa con los datos técnicos.
- La tensión de alimentación no tiene que diferir de aquella indicada en la chapa de $\pm 5\%$.
- La conexión a la red eléctrica se tiene que predisponer según las normas vigentes en el país donde se utiliza la unidad.
- La toma de corriente utilizada para la unidad tiene que poseer un conductor de tierra, un adecuado fusible y también tiene que estar protegida con un interruptor magnetotérmico diferencial con sensibilidad igual o menor que 30 mA.

21. PUESTA EN FUNCIONAMIENTO

- Bloquee el brazo en la posición completamente levantada (el pulsador de seguridad tiene que estar liberado).
- Introduzca el enchufe del cable de alimentación, en la toma de corriente.

22. CONTROL FORMA DEL ESMERIL

- Con la máquina apagada, controle el perfil del esmeril con la respectiva plantilla (fig.17); si fuese necesario, restablezca el perfil correcto mediante el avivado del esmeril.

23. AVIVADO DEL ESMERIL



Utilice los dispositivos individuales de protección.

- Ponga en marcha la esmeriladora desplazando el interruptor hasta la posición "1".
- Durante la puesta en funcionamiento se enciende la bombilla que ilumina la zona de esmerilado.
- Comience a retocar el perfil del esmeril con el avivador, trabajando siempre con mucho cuidado, empuñándolo con las dos manos con firmeza y eficacia (fig.18).
- Detenga la máquina y después controle con la plantilla que el perfil obtenido sea correcto (fig.19).



El contacto con el esmeril, mientras gira a una elevada velocidad, puede ocasionar quemaduras y abrasiones.

24. REGULACIÓN DE LA ESMERILADORA

24.1 ÁNGULOS DE ESMERILADO

- Después de haber establecido el tipo de cadena que se va a esmerilar, localice los ángulos de regulación (morsa y brazo) en la Tabla de las cadenas (columnas C/D/E).



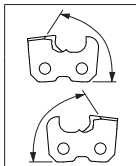
24.2 REGULACIÓN DEL ÁNGULO DE ESMERILADO SUPERIOR (FIG.20-21)

- Afloje la manopla M20.
- Gire la morsa en el sentido de las agujas del reloj.
- Ubique la referencia "0" de la morsa, en correspondencia con el ángulo deseado.
- Ajuste de nuevo la manopla M20.



24.3 REGULACIÓN DEL ÁNGULO DE ESMERILADO SUPERIOR (FIG.20-22)

- Afloje la manopla M20.
- Gire la morsa en sentido contrario a las agujas del reloj.
- Ubique la referencia "0" de la morsa, en correspondencia con el ángulo deseado.
- Ajuste de nuevo la manopla M20.

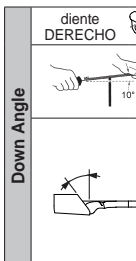


24.4 REGULACIÓN DEL ÁNGULO DE CORTE (FIG.23) (dientes derechos e izquierdos)

- Afloje la manopla posterior M23 y gire el brazo hacia la derecha. Ubique la referencia "0", en correspondencia con el ángulo deseado.
- Ajuste de nuevo la manopla M23.

24.5 ÁNGULOS DE ESMERILADO PARA CADENAS CON "DOWN ANGLE"

- Localice los ángulos de regulación como se ilustró antes.
- Regule una ulterior posición de esmerilado: el ángulo bajo. Para determinar las cadenas que necesitan esta regulación consulte la columna E que está en la Tabla de las cadenas.

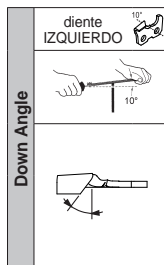


24.6 REGULACIÓN DEL ÁNGULO BAJO (FIG.25)

- Afloje la manopla M20.
- Haga bascular totalmente la morsa hacia adentro, haciendo coincidir la referencia de la izquierda con la de abajo.

24.7 REGULACIÓN DEL ÁNGULO DE ESMERILADO SUPERIOR (FIG.26)

- Gire la morsa en el sentido de las agujas del reloj.
- Ubique la referencia "DOWN 10" (derecha) de la morsa, en correspondencia con el ángulo deseado.
- Ajuste de nuevo la manopla M20.

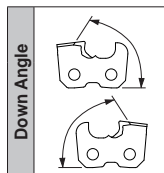


24.8 REGULACIÓN DEL ÁNGULO BAJO (FIG.27)

- Afloje la manopla M20.
- Haga bascular totalmente la morsa hacia el operador, haciendo coincidir la referencia de la derecha con la de abajo.

24.9 REGULACIÓN DEL ÁNGULO DE ESMERILADO SUPERIOR (FIG.28)

- Gire la morsa en sentido contrario a las agujas del reloj.
- Ubique la referencia "DOWN 10" (izquierda) de la morsa, en correspondencia con el ángulo deseado.
- Ajuste de nuevo la manopla M20



24.10 REGULACIÓN DEL ÁNGULO DE CORTE (FIG.24) (dientes derechos e izquierdos)

- Afloje la manilla posterior M23 y gire el brazo hacia la derecha. Ubique la referencia "DOWN 10" en el ángulo deseado.
- Ajuste de nuevo la manopla M23.

24.11 REGULACIÓN SUJETADOR DE LA CADENA (FIG.29)

- Introduzca la cadena en la morsa .
- Desplace el diente hasta que haga tope contra el sujetador de la cadena A29.
- Intervenga sobre el pomo P29 para colocar correctamente el sujetador de la cadena A29 respecto al diente.

24.12 UBICACIÓN DEL DIENTE

- Presione el pulsador de seguridad P17 para desbloquear el brazo (fig.22).
- Desplace el esmeril sobre el diente a esmerilar, tirando el brazo hacia abajo.
- Intervenga sobre el pomo P30 para mover la cadena, de modo que el filo del diente roce el esmeril (fig.30). Durante esta operación la cadena se tiene que desplazar libremente sobre la morsa, pero sin juego.
- Entonces levante el brazo y enrosque el pomo P30, para avanzar más aún el diente a esmerilar.

Este avance corresponde a la cantidad de material que se le extraerá al diente.

Cuanto mayor sea el desgaste de los dientes, mayor tendrá que ser este avance. Viceversa, para dientes poco consumidos, será suficiente una extracción mínima.

- Intervenga sobre el pomo P31, para regular la profundidad de esmerilado del diente. El esmeril tiene que rozar, en sentido vertical, el fondo del diente (fig.31).
- Una vez que haya encontrado la posición exacta del diente, ajuste la manilla de bloqueo de la cadena M32 (fig.32).

Al tirar la manilla M32 hacia el operador, se podrá volver a ubicar de modo tal que se facilite el esmerilado.

25. ADVERTENCIAS PARA EL ESMERILADO



- Durante dicha operación utilice los dispositivos individuales de protección.



- Todas las regulaciones se tienen que realizar estando el motor apagado y con el esmeril detenido.
- En caso de choques o golpes accidentales al esmeril durante el esmerilado, siga las indicaciones del párrafo ADVERTENCIAS SOBRE EL ESMERIL.

- Se aconseja limpiar la cadena antes de realizar el esmerilado.
- Para no cargar excesivamente el motor y para no dañar los dientes de la cadena, extraiga mínimas cantidades de material y no se detenga durante mucho tiempo sobre el mismo diente, se puede quemar el filo.
- Esmerilar todos los dientes del mismo lado y después, regulando la morsa como se indica en los párrafos anteriores, afile los dientes del lado opuesto.
- Durante el esmerilado no utilice líquidos refrigerantes.

26. ESMERILADO DE LA CADENA


- Controle que la manilla de apriete de la morsa M32 esté activada y que la cadena esté bloqueada.
- Encienda la máquina mediante el interruptor I33, presione el pulsador P17 para desbloquear el brazo y realice el esmerilado del diente haciendo descender el brazo-motor (fig.33).
- Después del esmerilado, levante el brazo y afloje la manilla M32.
- Haga desplazar la cadena hacia adelante para colocar el diente sucesivo a esmerilar.
- Bloquee de nuevo con la manilla M32 y realice el nuevo esmerilado.

27. CORRECCIÓN DESGASTE DEL ESMERIL

- Cuando el diámetro del esmeril se desgasta y alcanza una dimensión comprendida en la zona A que está en la protección del esmeril (fig.34), será necesario volver a ubicar el grupo morsa. Esto permite mantener inalteradas las condiciones de trabajo de la esmeriladora.
- Afloje los tornillos de fijación V35 (fig.35).
- Traslade el grupo morsa hacia la derecha haciendo coincidir la referencia "A" con la incisión que está en el grupo morsa (fig.36).
- Enrosque los tornillos de fijación V35.

28. PERFILADO DEL ESMERIL PARA ESMERILAR EL DELIMITADOR

- Introduzca el esmeril espesor 6 mm (fig.37), siguiendo las indicaciones de los puntos 13-17-18-19.
- Gire la morsa desplazando la referencia "0" hasta la posición 0 (fig.38).
- Gire el brazo desplazando la referencia "0" hasta 10°/15° (fig.38).
- Coloque el avivaesmeril sobre las mordazas y contra el sujetador de la cadena (fig.38).
- Presione el pulsador de seguridad para desbloquear el brazo.

 Mantenga bien firme el avivaesmeril con una mano (prestando atención para no tocar el esmeril).

- Realice el perfilado del esmeril mediante el accionamiento de la máquina y la extracción del material del esmeril hasta obtener un perfil como se muestra en la fig.38.
- Apague la máquina al finalizar la operación.

29. ESMERILADO DEL DELIMITADOR

- Extraiga el avivaesmeril e introduzca la cadena en la morsa.
- Centre el diente, respecto al esmeril, interviniendo sobre los pomos (P29 y P30).
- Mantenga el brazo inclinado y regule la profundidad de extracción en el delimitador interviniendo sobre el pomo P31 (fig.39).
- Realice el esmerilado del delimitador según las indicaciones del párrafo ESMERILADO. Para este tipo de esmerilado no hay diferencia entre los dientes derechos e izquierdos; por lo tanto, afíle a todos los delimitadores en sucesión.
- Después controle la correcta profundidad del delimitador, utilice la plantilla con la forma del tipo de cadena utilizada (fig.40). También tome en consideración la Tabla de las cadenas, columna F.

30. DETENCIÓN Y PUESTA EN REPOSO

30.1 DETENCIÓN

Apague la unidad desplazando el interruptor hasta la posición "0" y extraiga el enchufe, del cable de alimentación, que está en la toma de corriente.

30.2 PUESTA EN REPOSO

Al finalizar el servicio, desconecte y limpie con cuidado la unidad. Vuelva a colocarla en un lugar seco y protegido contra la acción del polvo y de la humedad.

30.3 MANTENIMIENTO ORDINARIO

 Antes de realizar cualquier intervención en la unidad, realice las operaciones descritas en el párrafo DETENCIÓN.

Intervalo de mantenimiento	Intervención
Cuando el esmeril alcance un diámetro mínimo de aproximadamente 105 mm	Cambie el esmeril.
40 horas	Limpie con cuidado la bombilla con un paño o con una escobilla. No utilice aire comprimido. Limpie con cuidado la esmeriladora, con un paño o con una escobilla. Preste mucha atención durante la limpieza del motor eléctrico y de las guías de desplazamiento. No utilice aire comprimido.


30.4 DESPLAZAMIENTO Y TRANSPORTE


- si tuviera que transportar la unidad, retírela de la fijación en el banco o en la pared, desmonte el esmeril y coloque a todas las piezas en un embalaje que las proteja contra los golpes.

30.5 DEMOLICIÓN Y ELIMINACIÓN

La demolición de la unidad sólo la puede realizar el personal especializado y respetando la legislación vigente en el país en el cual se instaló.



El símbolo  (que está sobre la chapa con los datos técnicos), indica que el producto no se tiene que eliminar junto con los desechos domésticos. Para la eliminación diríjase a un centro autorizado o a su vendedor.

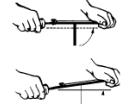
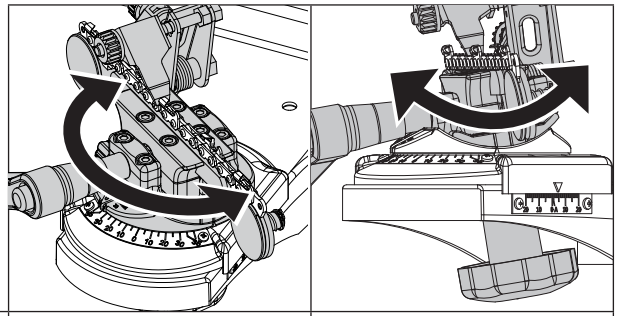
 Antes de demoler la unidad, inutilícela (por ejemplo: cortando el cable de alimentación) y haga en modo que sean inocuas las partes que podrían constituir un peligro para los niños que podrían utilizar elementos de la unidad para sus juegos.

31. INCONVENIENTES, CAUSAS Y SOLUCIONES

 Antes de realizar cualquier intervención en la unidad, realice las operaciones descritas en el párrafo DETENCIÓN.

Anomalía	Probable causa	Solución
Al desplazar el interruptor a la posición "1", la unidad no se pone en marcha.	Intervino uno de los dispositivos de seguridad de la instalación al cual está conectada la unidad (fusible, interruptor diferencial, etc.).	Restablezca el dispositivo de protección. En caso de una nueva intervención del dispositivo de protección, no utilice la unidad y diríjase a un Técnico Especializado .
	El enchufe del cable de alimentación, no está correctamente introducido.	Desconecte el enchufe e introdúzcalo correctamente.
Al desplazar el interruptor a la posición "1", la bombilla no se enciende.	La bombilla no está correctamente enroscada en la propia sede.	Enrosque bien y hasta el fondo a la bombilla.
	La bombilla está quemada.	Cambie la bombilla.
La unidad vibra en un modo anómalo.	La unidad no está correctamente fijada.	Controle la fijación y, si fuese necesario, ajuste correctamente los tornillos de fijación.
	El grupo brazo-motor no está correctamente fijado a la base.	Ajuste correctamente la respectiva manilla de bloqueo.
	El grupo morsa no está correctamente fijado a la base.	Ajuste correctamente la respectiva manopla de bloqueo.
	El esmeril no está correctamente montado en la propia sede del cubo.	Desmonte el esmeril, controle la integridad y vuélvalo a montar correctamente.

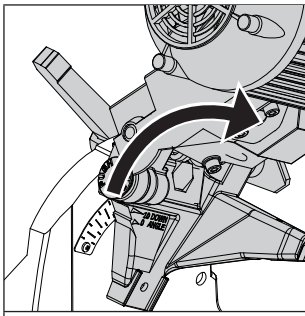
- Si no fuese posible restablecer el correcto funcionamiento de la unidad, siguiendo las indicaciones contenidas en la siguiente Tabla, diríjase a un técnico especializado.


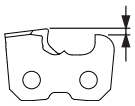





A

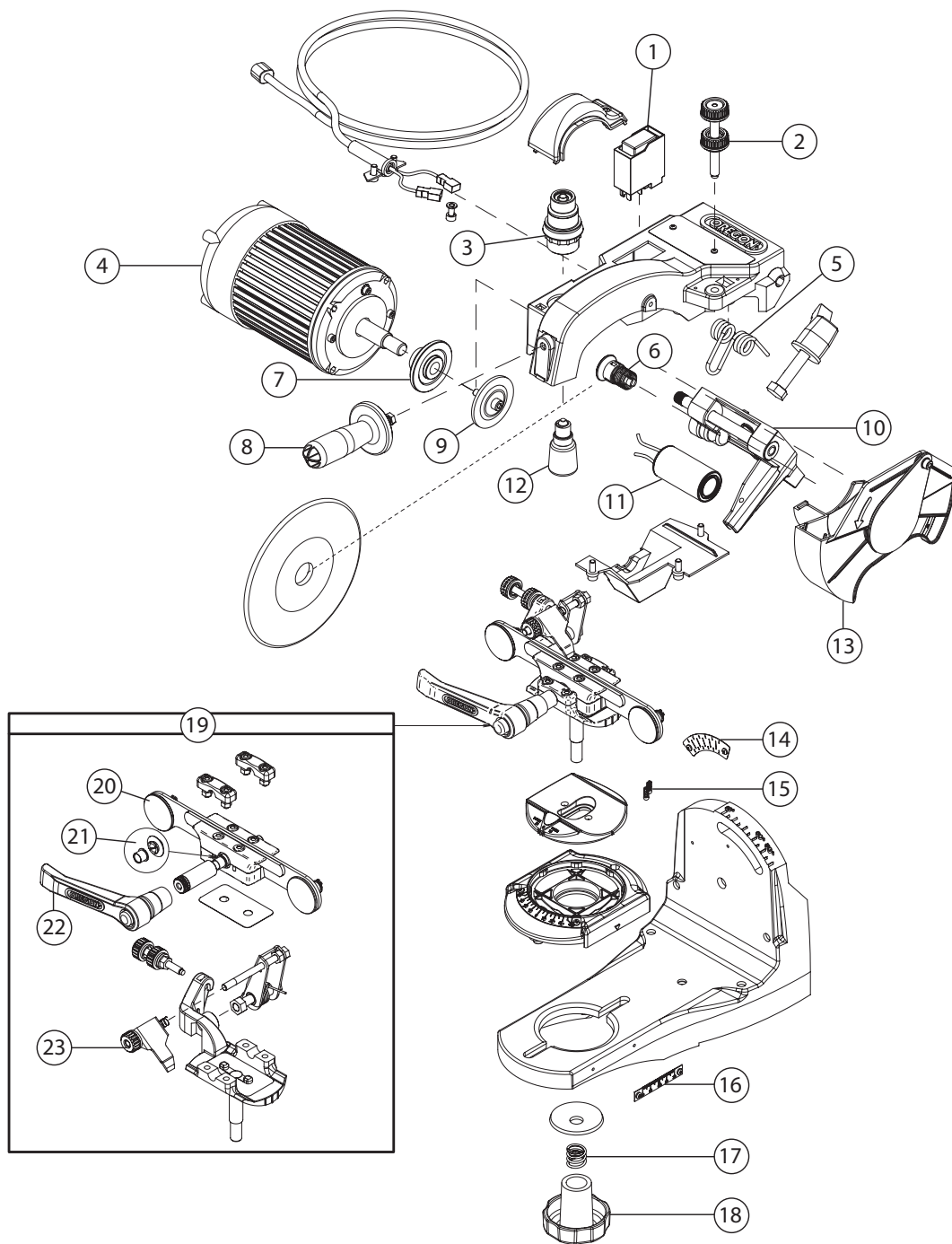
B

GRINDING CHAIN TYPE	GRINDING WHEEL WIDTH	VICE WHEEL P/N	WISE ROTATE ANGLE	HEAD TILT ANGLE
Oregon® Chain				
Part Number				
11BC	5/16" 8.0mm	OR534-516	35°	0°
11H	5/16" 8.0mm	OR534-516	30°	0°
16H	3/16" 4.8mm	OR534-316	35°	10°
18H & 18HX	3/16" 4.8mm	OR534-316	35°	10°
20, 21, 22BP, BPX	3/16" 4.8mm	OR534-316	30°	10°
20, 21, 22JP, LP, LPX	3/16" 4.8mm	OR534-316	25°	10°
25AP	1/8" 3.2mm	OR534-18	30°	0°
27, 27A, 27P	3/16" 4.8mm	OR534-316	35°	10°
27R, RA	3/16" 4.8mm	OR534-316	10°	10°
33, 34, 35LG, SL	1/8" 3.2mm	OR534-18	25°	0°
58L, 59L, LG, 59J, JG, 68LX	3/16" 4.8mm	OR534-316	25°	10°
72, 73, 75, V	3/16" 4.8mm	OR534-316	25°	10°
72AP, 72, 73, 75, DP	3/16" 4.8mm	OR534-316	35°	0°
72, 73, 75JG, JP, LG, LP, LPX, LGX	3/16" 4.8mm	OR534-316	25°	10°
72, 73, 75RD	3/16" 4.8mm	OR534-316	10°	10°
90, JG, SG	1/8" 3.2mm	OR534-18	30°	0°
91, VG, VJ, VS	1/8" 3.2mm	OR534-18	30°	0°
95R	3/16" 4.8mm	OR534-316	10°	0°
95VP	3/16" 4.8mm	OR534-316	30°	0°



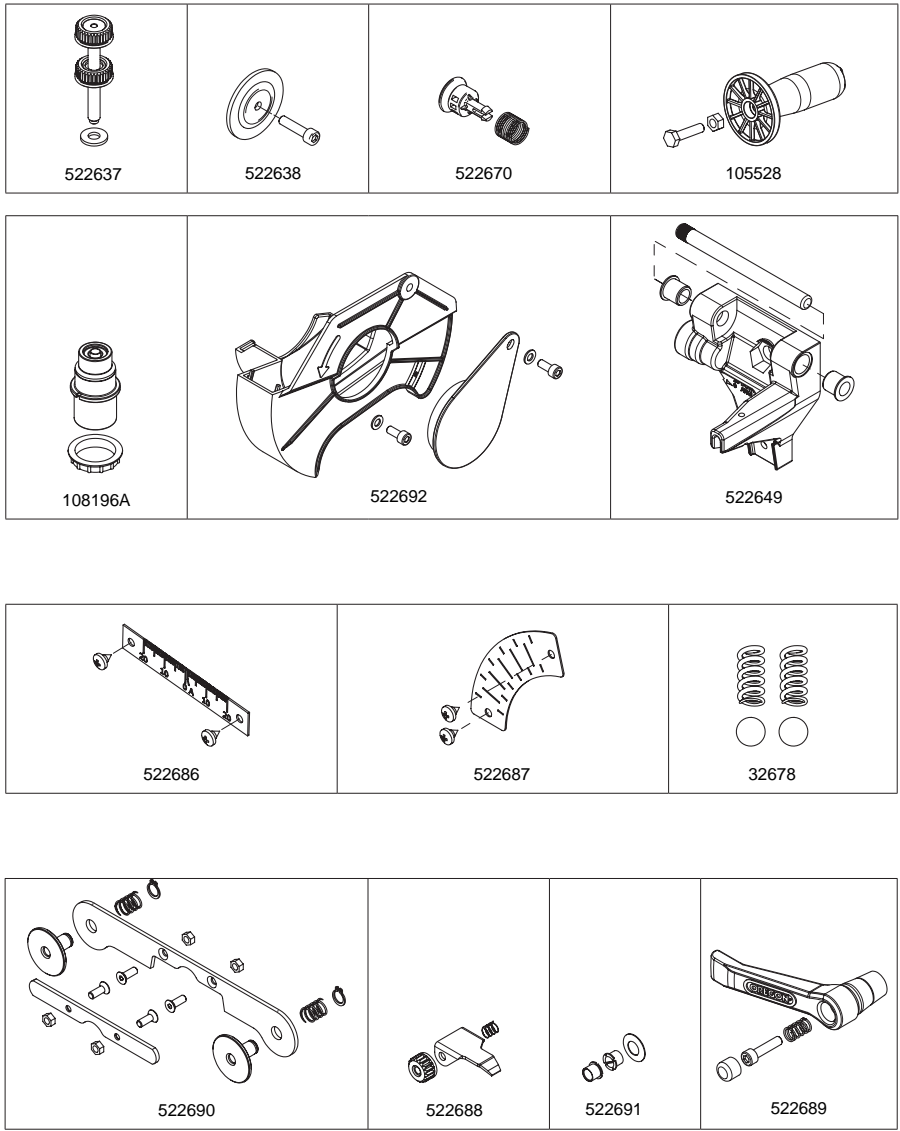
 C	 D			
HEAD TILT ANGLE	DEPTH GAUGE	DEPTH GAUGE P/N	FILE SIZE	FILE GUIDE P/N
60°	.060"	26800	5/16" 8.0mm	
50°	.070"	107529	5/16" 8.0mm	107617
60°	.050"	38850	7/32" 5.5mm	31686
60°	.050"	38850	7/32" 5.5mm	31686
55°	.025"	31941	3/16" 4.8mm	31690
55°	.025"	31941	3/16" 4.8mm	31690
55°	.025"	31941	5/32" 4.0mm	37534
55°	.030"	22291	7/32" 5.5mm	31686
50°	.030"	22291	7/32" 5.5mm	
55°	.025"	31941	4.5mm*	31692*
55°	.025"	31941	7/32" 5.5mm	31686
55°	.025"	31941	7/32" 5.5mm	31686
55°	.025"	31941	7/32" 5.5mm	31686
55°	.025"	31941	7/32" 5.5mm	31686
50°	.025"	31941	7/32" 5.5mm	
55°	.025"	31941	4.5mm*	31692*
55°	.025"	31941	5/32" 4.0mm	37534
50°	.030"	22291	3/16" 4.8mm	
55°	.025"	31941	3/16" 4.8mm	31690

Replacement Parts for the 511AX Bench Grinder

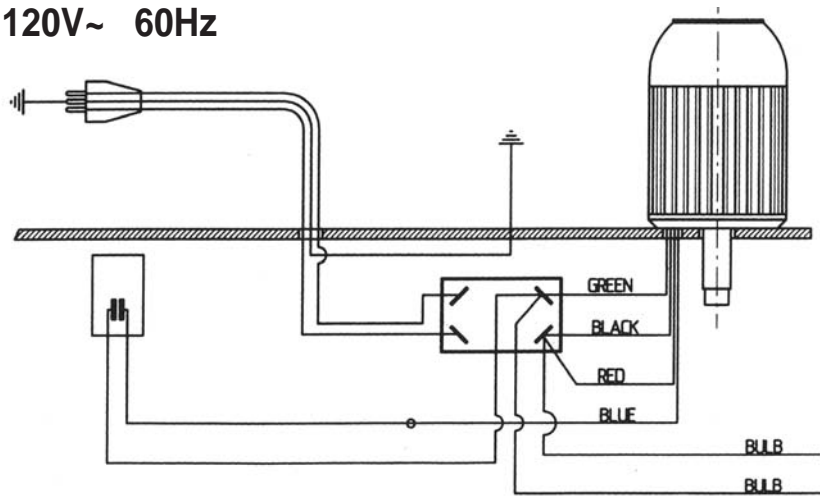


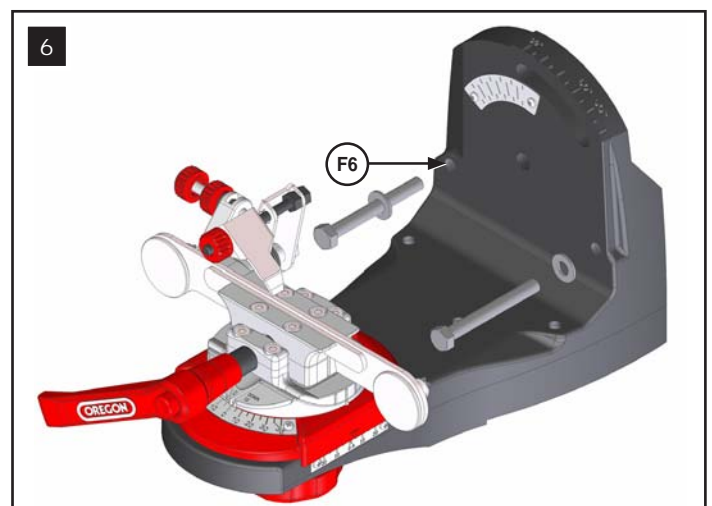
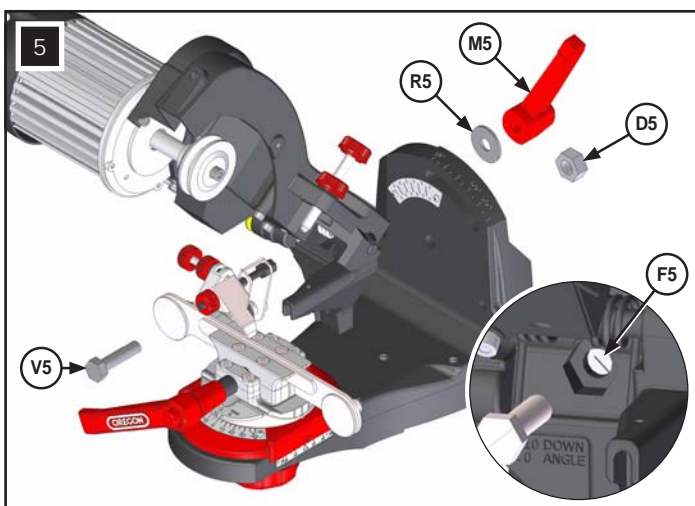
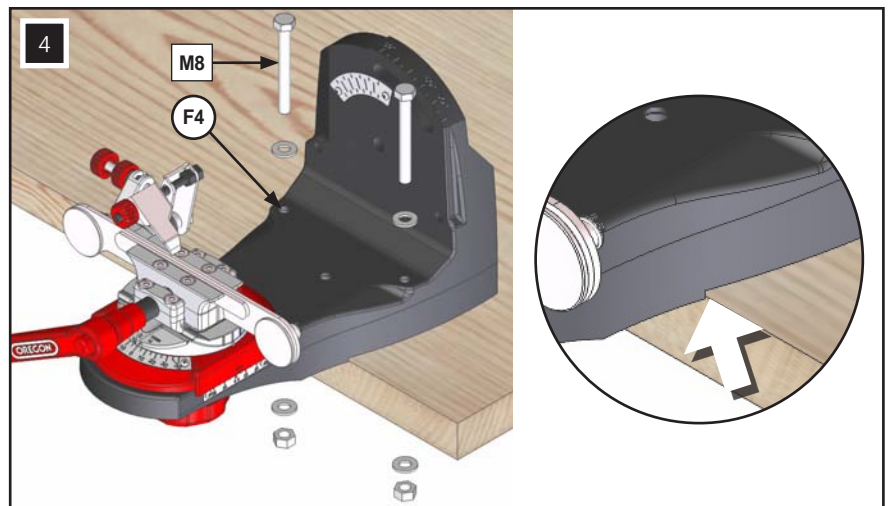
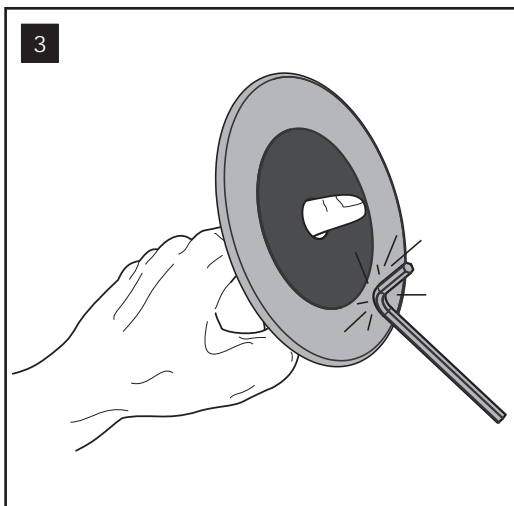
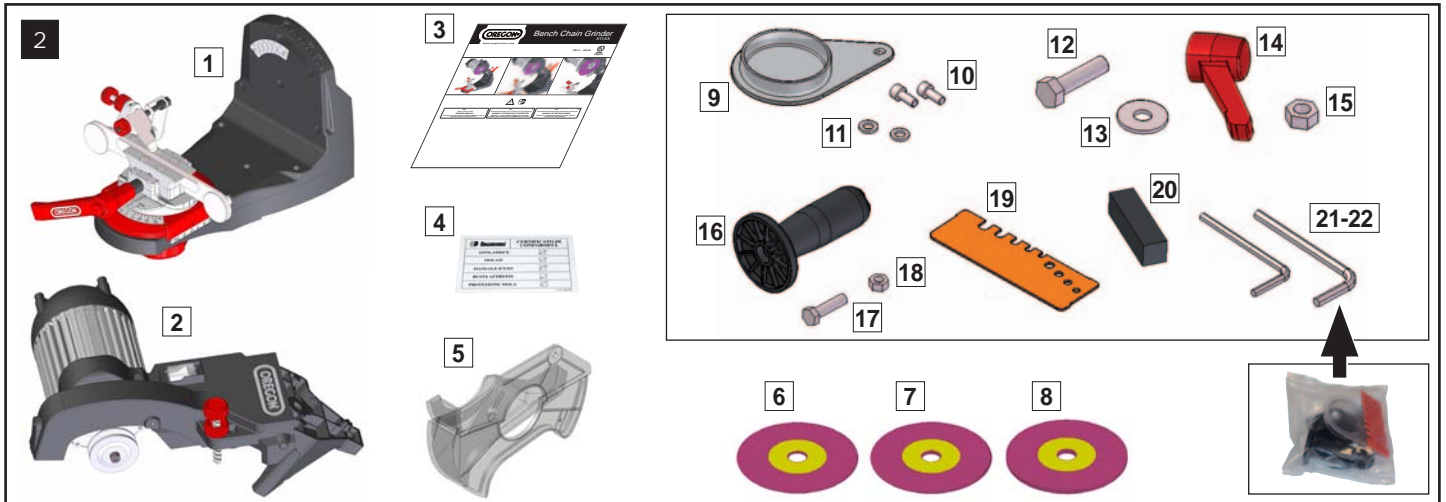
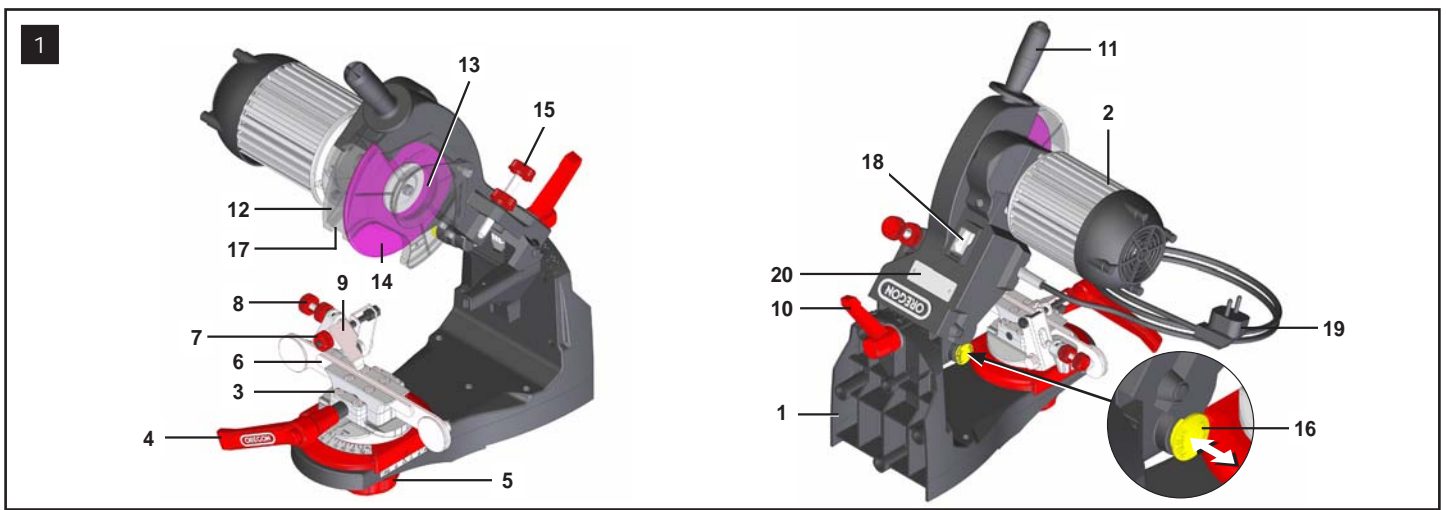
ItemNo.	Part No.	Description
1	109879	Switch, on/off
2	522637	Screw, height adjusting
3	108196A	Light socket
4	37947	Motor cap
5	522651	Spring, arm return
6	522670	Safety pin
7	108925	Flange, inner
8	105538	Handle kit, head assembly
9	522638	Flange, outer
10	522649	Bracket, arm support
11	37948	Capacitor
12	112055	Light bulb, 12 pack

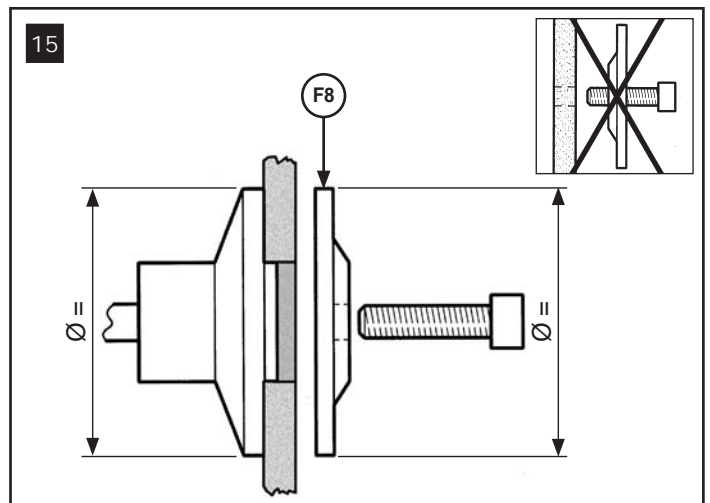
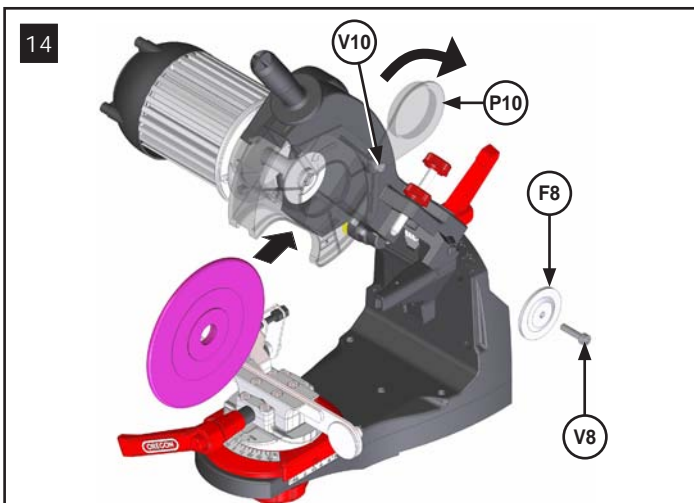
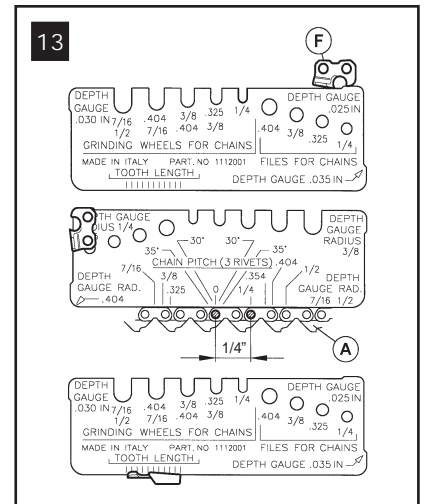
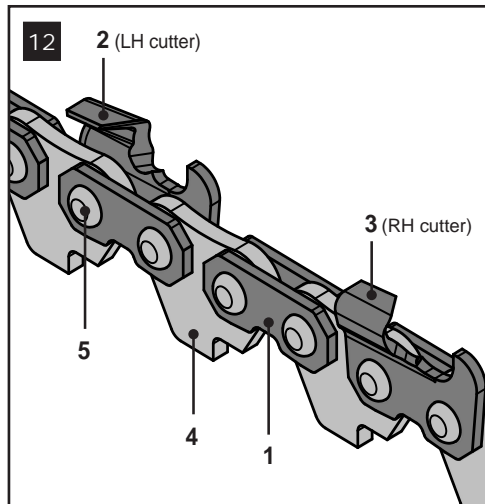
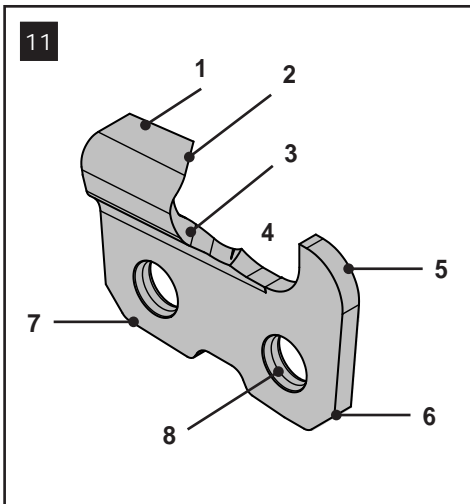
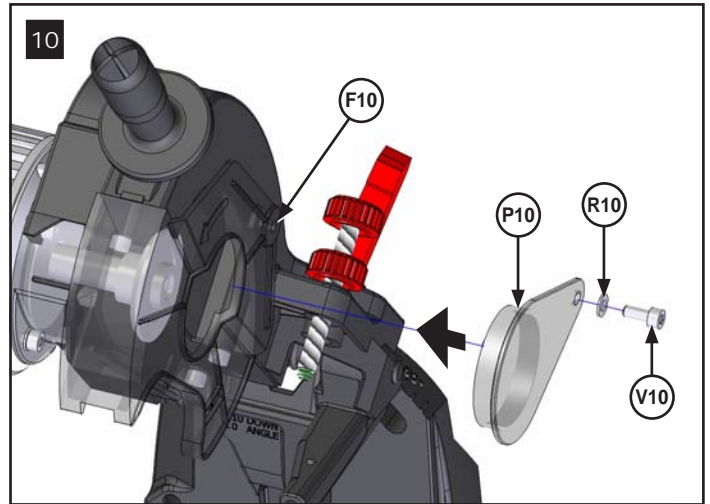
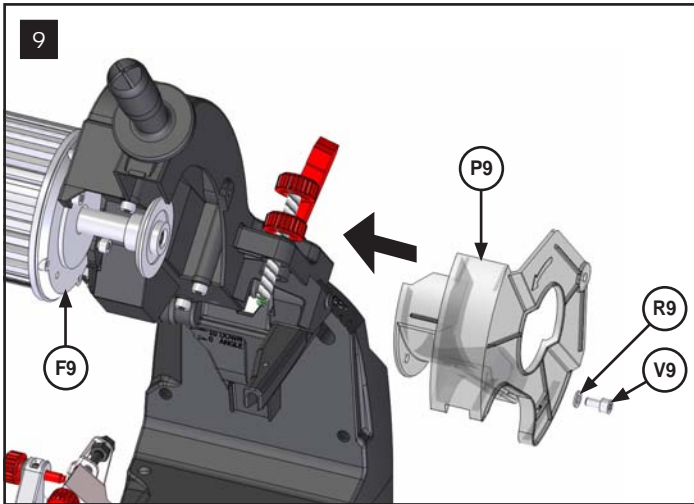
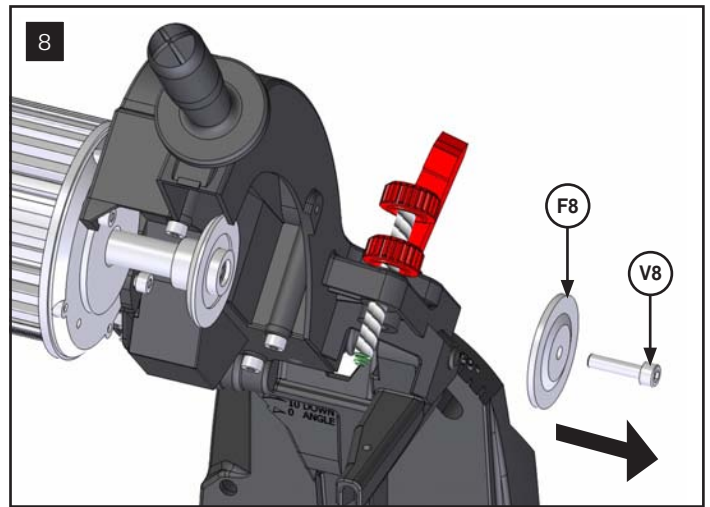
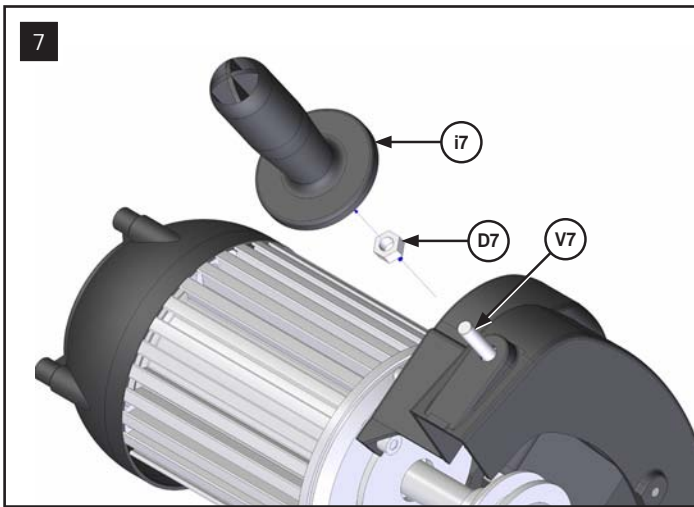
ItemNo.	Part No.	Description
13	522692	Shield kit
14	522687	Scale, arm
15	32678	Spring and ball kit
16	522686	Scale, skid
17	35590	Spring, jaw
18	109245	Knob, vise
19	522716	Vise assembly
20	522690	Vise jaws
21	522691	Vise bushing
22	522689	Vise handle
23	522688	Chain stop

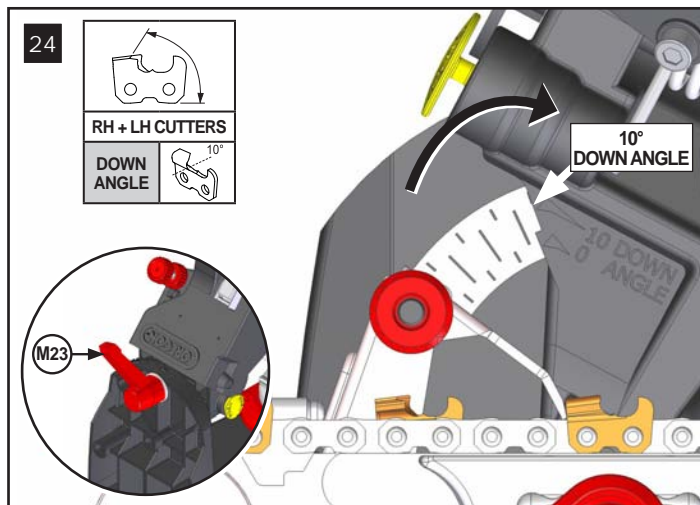
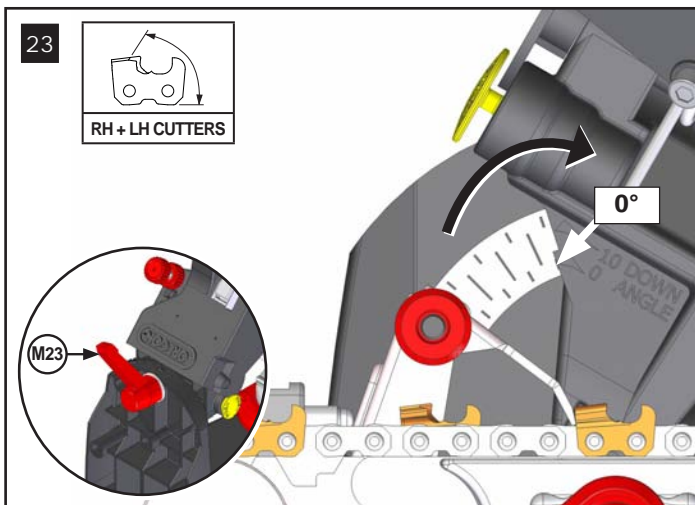
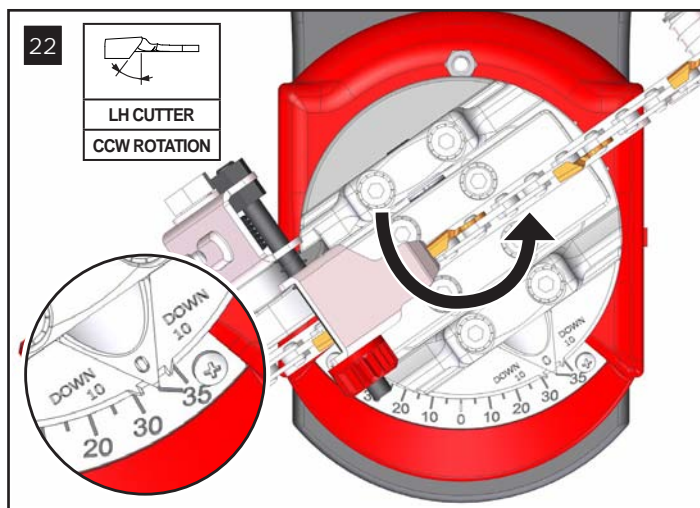
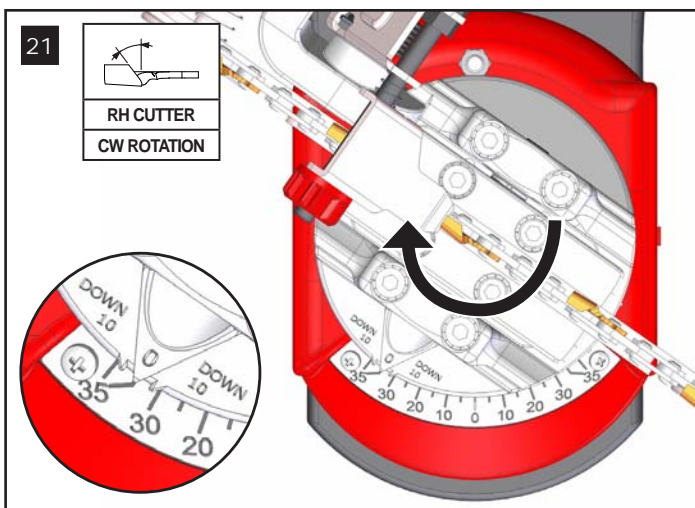
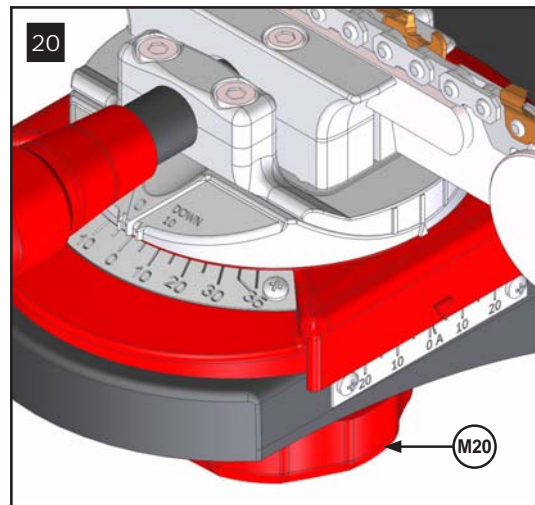
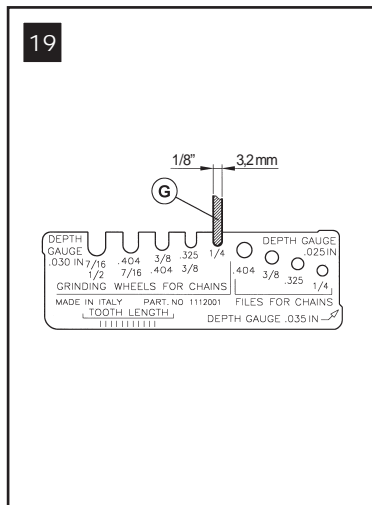
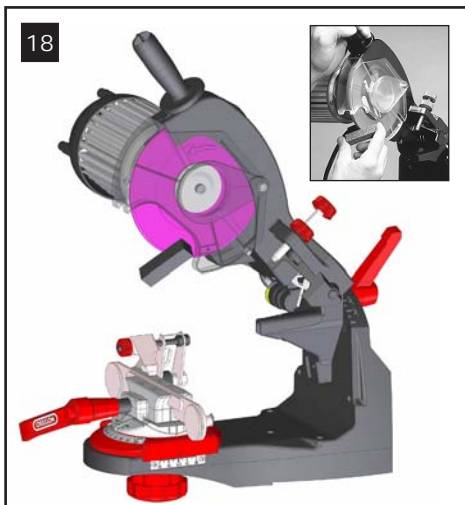
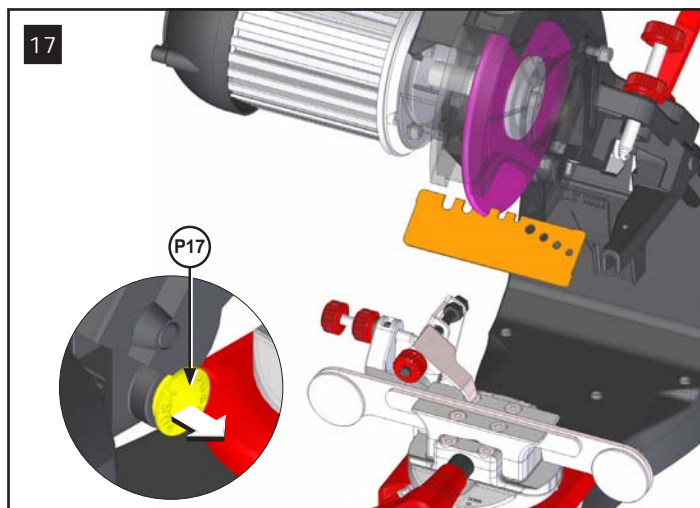
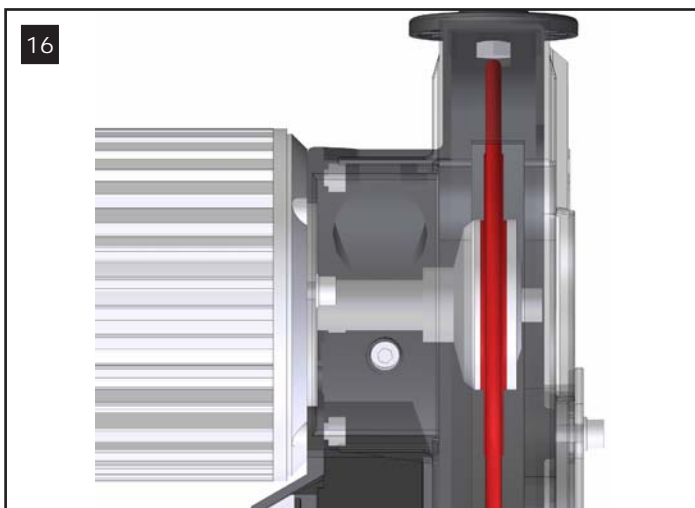


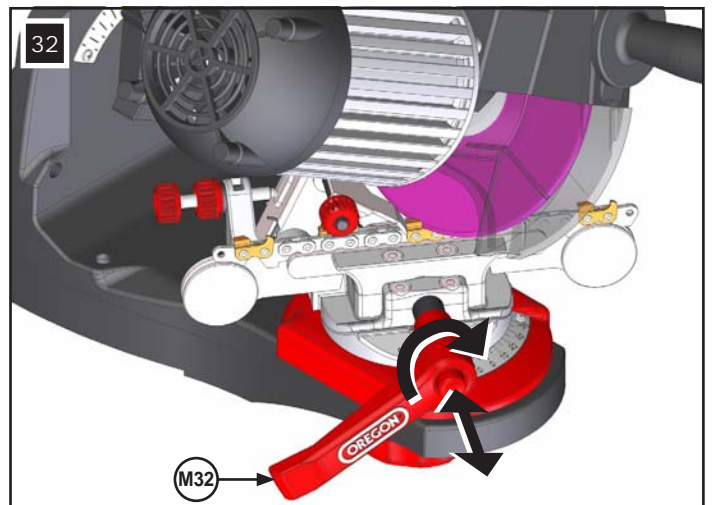
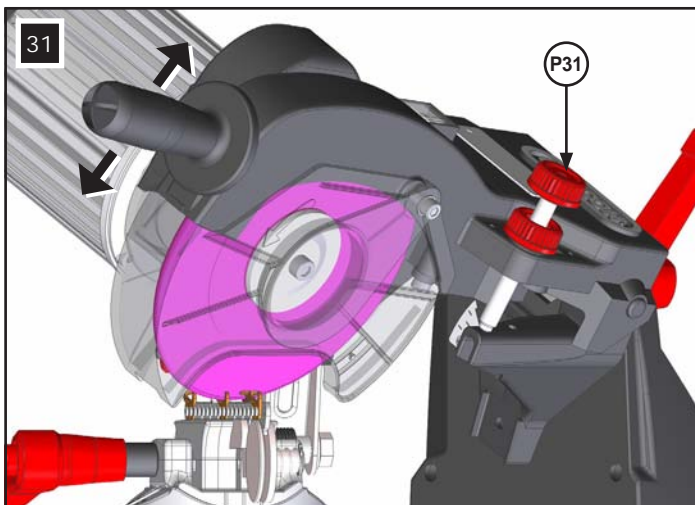
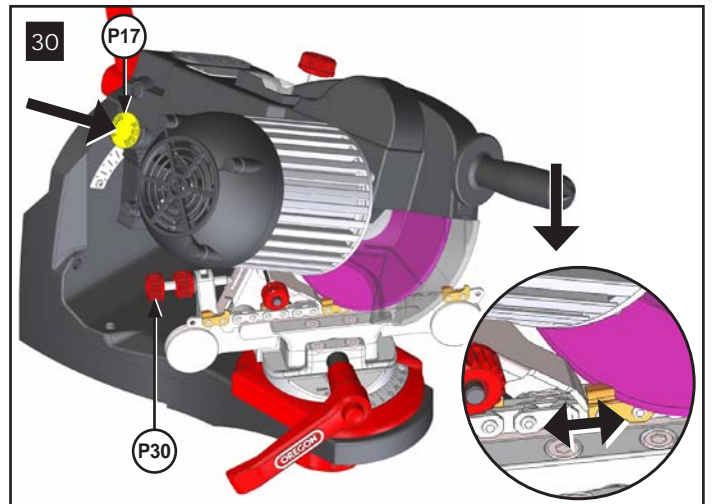
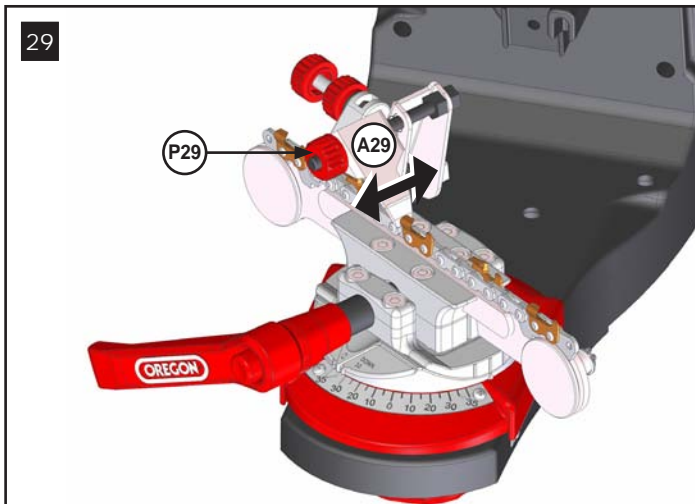
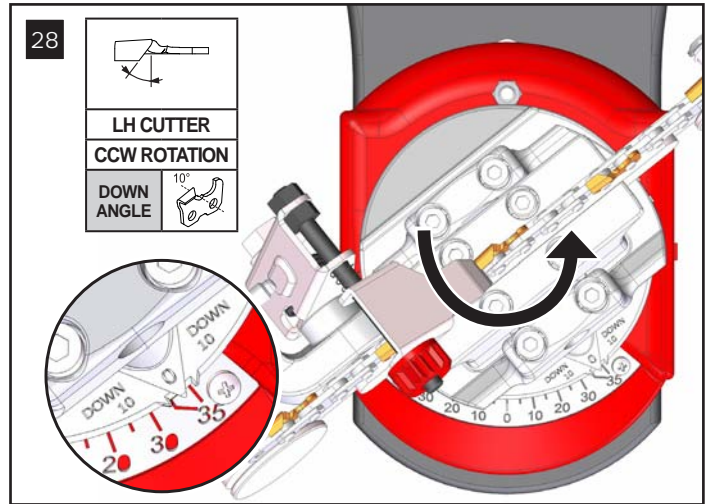
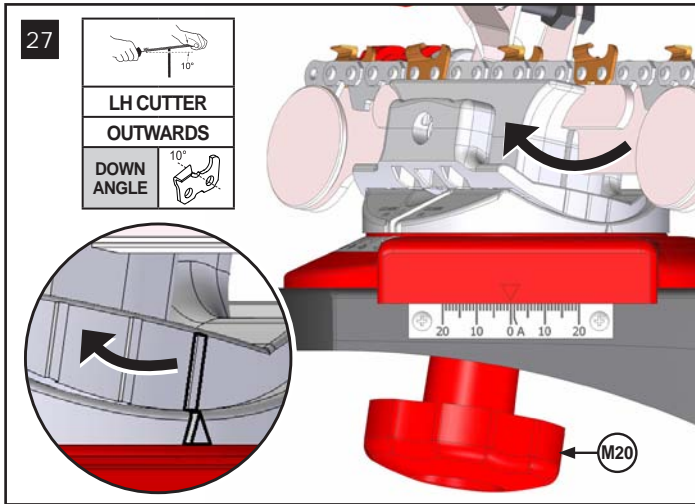
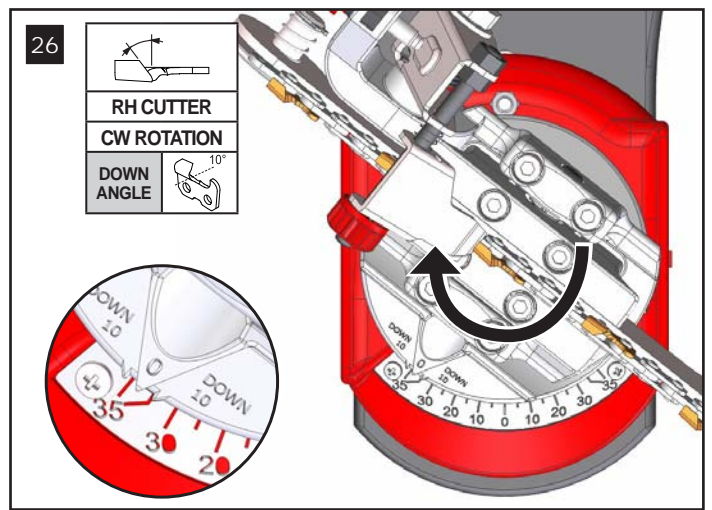
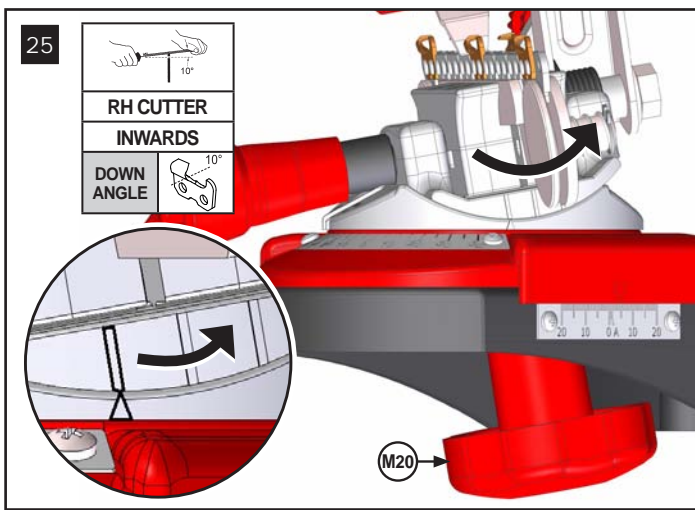
120V~ 60Hz

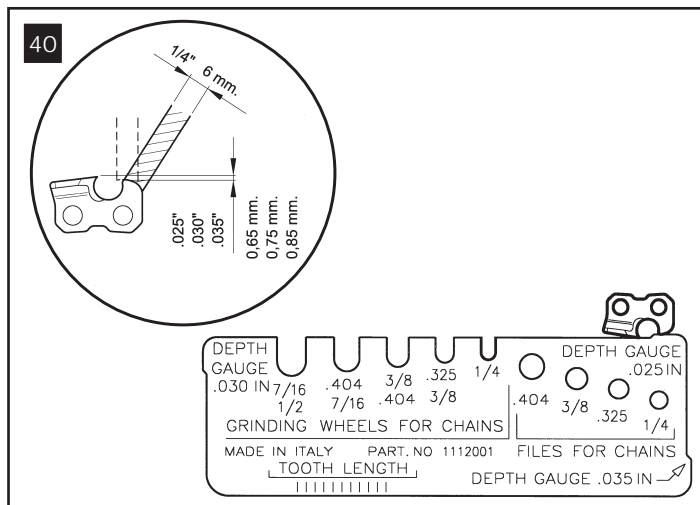
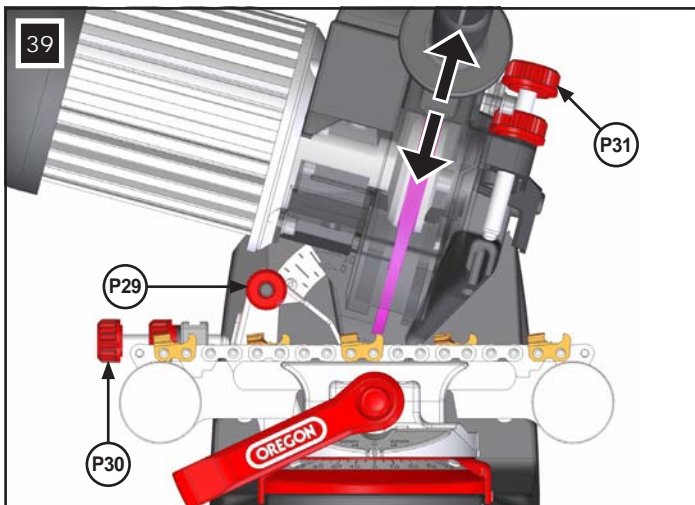
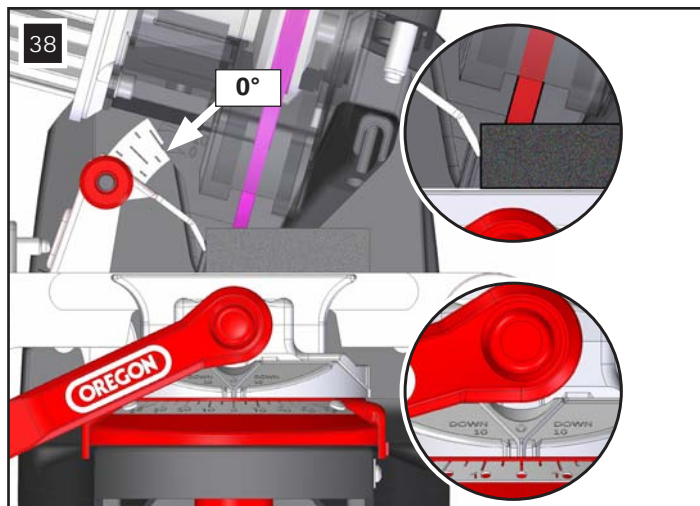
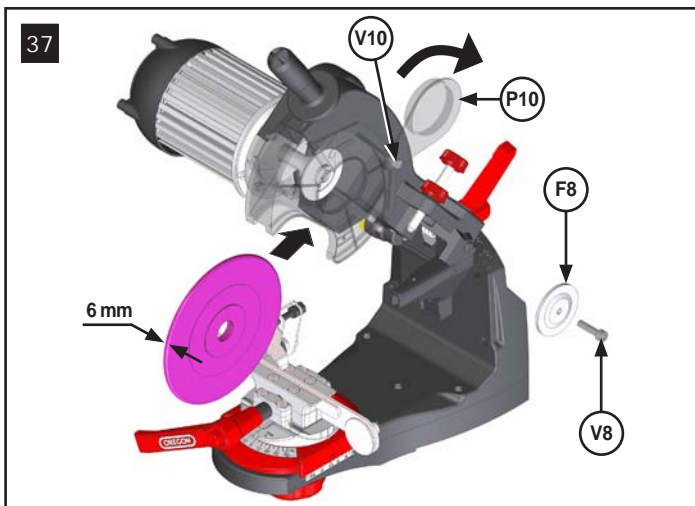
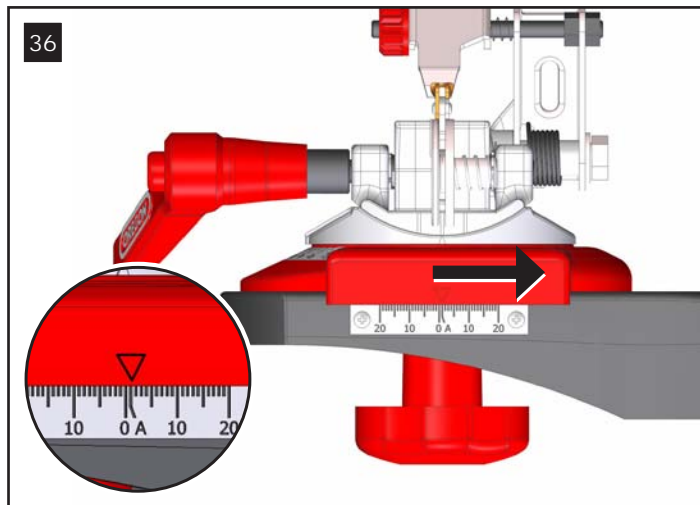
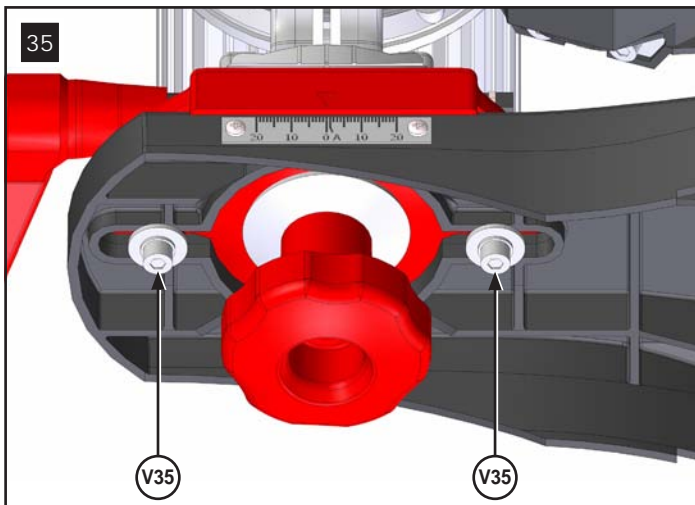
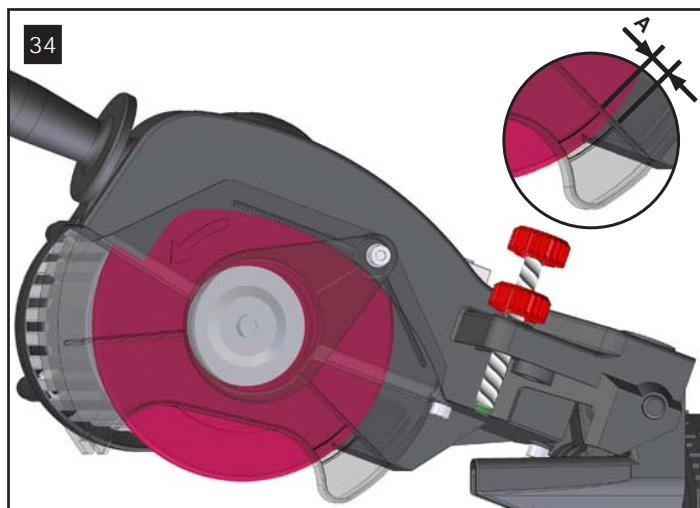
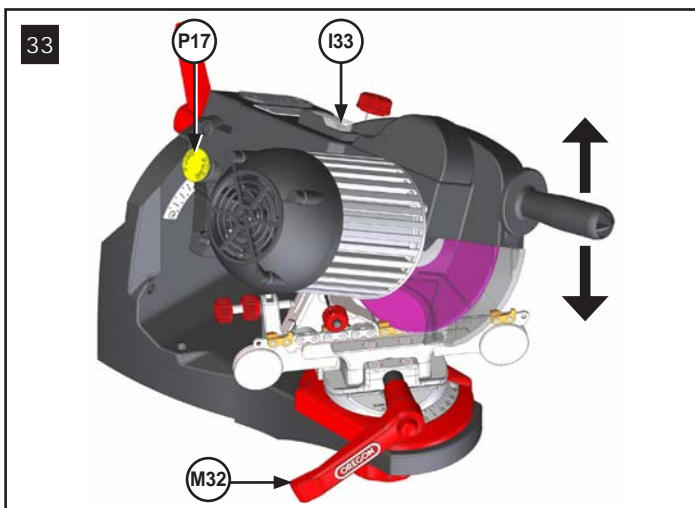














BLOUNT



U.S.A.

Oregon Cutting Systems Division
outdoor products group
Blount, Inc.
4909 SE International Way
Portland Oregon 97222
www.oregonchain.com

Belgium

BLOUNT EUROPE SA
OREGON® CUTTING SYSTEMS GROUP
RUE BUISSON AUX LOUPS, 8
B - 1400 NIVELLES
TEL. +32 67 887611 FAX. +32 67 210537
www.oregonchain.be

Germany

BLOUNT GMBH
OREGON® CUTTING SYSTEMS GROUP
AU-OST 3
D - 72072 TÜBINGEN
TEL. +49 7071-9704-4 FAX. +49 7071-9704-85
www.oregonchain.de

UK

BLOUNT UK LTD
OREGON® CUTTING SYSTEMS GROUP
UNIT 3 ARIANDA WAREHOUSES
STEINHOFF BUSINESS PARK
NORTHWAY LANE
UK - TEWKESBURY GL20 8GY
TEL. +44 1684 855490 FAX. +44 1684 855496
www.oregonchain.co.uk

France

BLOUNT EUROPE SA
OREGON® CUTTING SYSTEMS GROUP
BP1 117-119 AVENUE PAUL MARCELLIN
F - 69511 VALUX-EN-VELIN CEDEX
STANDARD: TEL. +33 4 78 79 48 48 FAX. +33 4 72 04 37 27
MINITEL 3614 - CODE OREGON
www.oregonchain.fr

Sveden

SVENSKA BLOUNT AB.
OREGON® CUTTING SYSTEMS GROUP
P.O. BOX 1104
S - 432 15 VARBERG
DELIVERY ADDRESS: ANNEBERG SVÄGEN 1
S - 432 95 VARBERG
TEL. +46 340 645480 FAX. +46 340 645481
www.oregonchain.se

Russia

OOO BLOUNT
OREGON® CUTTING SYSTEMS DIVISION
4A STUPINSKI PROSPEKT
RU - MOSCOW
TEL. +7 95 384 7248 FAX. +7 95 984 7610
www.oregonchain.ru

made by



Tecomec S.r.l.

Via Secchi, 2 - 42011 Bagnolo in Piano - RE

Tel +39 0522 959001 - Fax +39 0522 953033 / 959060

Shipping Dept.: Via Tasso, 2 - 42023 Cadelbosco Sopra - RE - Italy

salesdept@tecomec.com - www.tecomec.com

M E M B E R O F Y A M A G R O U P

Cod. P00801046_R02 - Printed in Italy