

Installer: Leave this manual with the appliance. Consumer: Retain this manual for future reference.

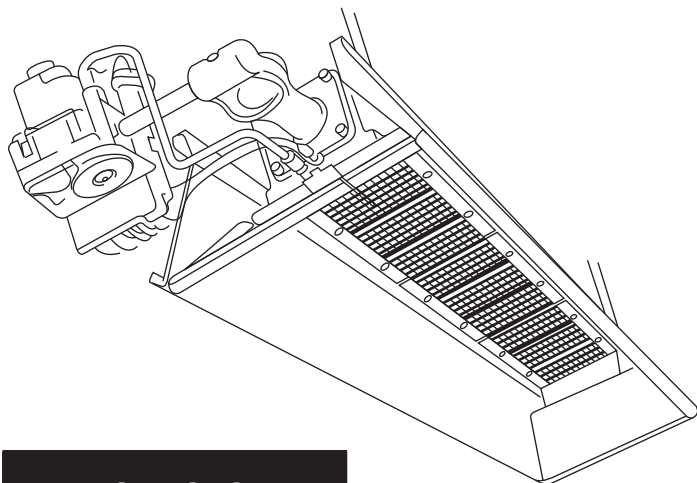
OPERATING INSTRUCTIONS AND OWNER'S MANUAL

HEATSTAR High-Intensity Infrared Heaters

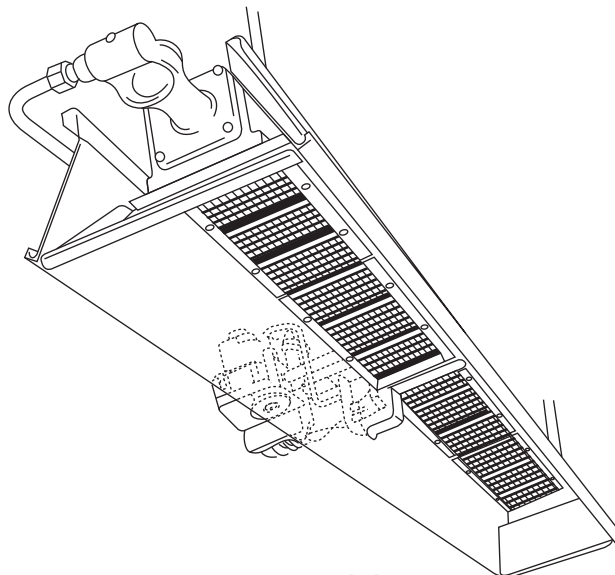
MODELS

HS4030	HS8070	HS9100
HS4040	HS9080	HS9120
HS8050	HS9090	HS9140
HS8060	HS9100S	

READ INSTRUCTIONS CAREFULLY: Read and follow all instructions. Place instructions in a safe place for future reference. Do not allow anyone who has not read these instructions to assemble, light, adjust or operate the heater.



4000 & 8000 Models



9000 Models

LANGUAGES

ENGLISH

Pages E1 — E16

SPANISH

Pages S1 — S16

FRENCH

Pages F1 — F16

WARNING: If the information in this manual is not followed exactly, a fire or explosion may result causing property damage, personal injury or loss of life.

- Do not store or use gasoline or other flammable vapors and liquids in the vicinity of this or any other appliance.
- WHAT TO DO IF YOU SMELL GAS
 - Open Windows
 - **DO NOT** try to light any appliance.
 - **DO NOT** use electrical switches.
 - **DO NOT** use any telephone in your house. Immediately call your local gas supplier from a neighbor's telephone. Follow the gas supplier's instructions.
 - **DO NOT** touch any electrical switch; do not use any phone in your building.
 - Installation and service must be performed by a qualified installer, service agency or the gas supplier.
 - If you cannot reach your gas supplier, call the Fire Department.

This is an unvented gas-fired heater. It uses air (oxygen) from the area in which it is used. Adequate combustion and ventilation air must be provided. Refer to page 4.

⚠ WARNING: Improper installation, adjustment, alteration, service or maintenance can cause property damage, injury or death. Read the installation, operation, and maintenance instructions thoroughly before installing or servicing this equipment. For assistance or additional information consult a qualified installer, service agency, or gas supplier.

⚠ WARNING: When used without fresh air, heater may give off CARBON MONOXIDE, an odorless poisonous gas. OPEN WINDOW AN INCH OR TWO FOR FRESH AIR WHEN USING HEATER.

⚠ WARNING: This heater is equipped with a PILOT LIGHT SAFETY SYSTEM. DO NOT TAMPER WITH PILOT LIGHT SAFETY SYSTEM.

⚠ WARNING: If heater shuts off, do not relight until you provide fresh air. If heater keeps shutting off, have it serviced. Keep burner and control clean. Open door for 5 minutes.

Maintain clearances as shown in Figure 1 or on heater nameplate.

- DO NOT USE MATCH OR OTHER FLAME FOR LEAK TESTING.
- DO NOT EXCEED 1/2 PSI INLET PRESSURE TO HEATER.

DANGER:

Carbon monoxide poisoning may lead to death.

Carbon Monoxide Poisoning:

Early signs of carbon monoxide poisoning resemble the flu, with headaches, dizziness, or nausea. If you have these signs, the heater may not be working properly. Get fresh air at once! Have heater serviced. Some people are more affected by carbon monoxide than others. These include pregnant women, persons with heart or lung disease or anemia, those under the influence of alcohol, and those at high altitudes.

CAUTION:

- Never connect gas valve or thermostat to line voltage or a transformer.
- If the infra-red color of the grid becomes dull when the building furnace is operating, consult gas supplier on correct gas supply piping sizes.
- This heater is for indoor installation only!

NOTE Gasket binder material used in this heater assembly will temporarily emit an odor and/or vapor. This condition will clear up in approximately 20 minutes and thereafter will not reoccur. Refer to page 4 for ventilation.

THE STATE OF CALIFORNIA REQUIRES THE FOLLOWING WARNING:

⚠ WARNING: Combustion by-products produced when using this product contain carbon monoxide, a chemical known to the State of California to cause cancer and birth defects (or other reproductive harm).

CONTENTS

General Information.....	3
Clearances	3
Gas Supply.....	3
Gas Pressure	4
Electrical	5
Thermostat & Location.....	5
Ventilation	5
Operations.....	5
Cleaning Information	5
Thermostat	6
Troubleshooting	7
Connection diagram for flame rod current for flame rectification systems.....	8
Replacement parts	9
Control system replacement parts	12

1. GENERAL INFORMATION

- a. Your heater comes fully assembled and is tested at the factory for proper gas and input as stated on the name plate.
- b. Before proceeding with the installation, be sure to inspect for damages. The freight company that delivered the heater must be notified of any damages prior to installation. HEAT STAR will send replacement parts for damaged parts only after receiving a signed inspection report to prove the liability of the freight company.
- c. Do not attempt to operate heater with any other gas than that indicated on the heater name plate.
- d. Installation of the heater must conform with local building codes or, in absence of local codes, with the National Fuel Gas Code, ANSI Z223.1/NFPA54. In Canada, refer to CAN 1-B146.1.
- e. Plugged 1/8" N.P.T. Test Gage Connection is located on the Heater Gas Control or a N.P.T. Connection is located on the outside of the Cast Venturi.

2. CLEARANCES Minimum clearances to combustibles. (Refer to Figure 1)

Provide adequate clearance to combustibles, Figure 1, between control end of heater for servicing and minimum on top and sides for ventilation and combustion air supply.

A minimum clearance of 8' above floor for public garages in accordance with ANSI/NFPA No. 88 most recent edition or Figure 1; whichever is larger. In Canada refer to CAN 1-B149.1 Installation codes for Gas burning appliances.

A minimum clearance of 10' from the bottom of heater to top of wing, or engine enclosure, where aircraft are housed, and 8' above floor in other areas of the hangar in accordance with ANSI/NFPA No. 409 most recent edition, or Figure 1; the larger dimension of ANSI/NFPA No. 409 or Figure 1 is to be used. In Canada refer to CCA B149-1-M91.

⚠ WARNING: MAINTAIN CLEARANCES AS SHOWN IN FIGURE 1 OR ON HEATER NAMEPLATE, IN GARAGE INSTALLATIONS WHERE PARKED VEHICLES ARE DIRECTLY BELOW THE HEATER.

3. SUSPENSION

Heater has four mounting holes, two on each end, for attaching rod or angle iron brackets and shall be safely and adequately fixed in position independent of gas and electric supply lines. Refer to Figures 4, 5, and 7 on pages 13 and 14 for recommended suspensions.

4. GAS SUPPLY

Provide adequate gas supply for rated input of each heater using American Standard Installation of gas piping and gas appliances in building ANSI/223. 1a/

NFPA54 Pamphlet, Table C-3 shows capacity of pipe of different diameters and lengths in cubic feet per hour for Natural Gas with pressure drop of 0.3 inches specify gravity of 0.60. For liquefied Petroleum Gas (LP) capacity refer to Table C-3 and C-15 of the same pamphlet. For recommended heater gas connection refer to Figure No. 5, Page 15. In Canada refer to CAN 1-B149.1, and CSA B63.

If gas lines are to be pressure tested with compressed air, disconnect each heater to prevent control damage and cap outlets. After reconnecting all heaters, purge gas lines of air and check all connections for leaks using soap solution.

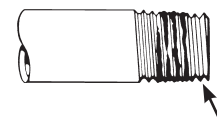
⚠ WARNING: DO NOT USE MATCH OR OTHER FLAME FOR LEAK TESTING.

5. PIPING REQUIREMENTS

All piping installed must comply with local codes and ordinances or with the National Fuel Gas Code, ANSI Z223.1 (NFPA 54), whichever takes precedence. When installing piping, the following requirements must be taken into consideration:

- Use new properly reamed black pipe free from chips.
- Apply a good quality pipe compound to all male threads prior to assembly. If L.P. gas is the fuel, ensure that pipe compound is resistant to L.P. gas. DO NOT USE TEFLON™ tape.
- Prior to installation, apply pipe compound to all male threads as shown in Figure 1.

USE MODERATE AMOUNT OF PIPE DOPE



LEAVE FIRST 2 THREADS BARE

Figure 1. Pipe Compound Application

- Male threads on pipe to be installed into gas valve shall meet the requirements of Figure 2. Threads longer than those shown in the figure may cause gas valve distortion and malfunction.
- A sediment trap meeting the typical requirements of Figure 3 shall be installed in the line to the gas valve.
- A dedicated shutoff valve for the heater must be installed in the gas supply line.

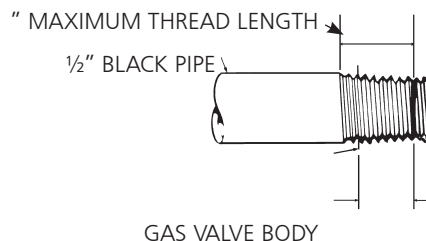


Figure 2. Gas valve connection requirements

NOTE:

1. Only Use A Pipe Compound Which Is Resistant To Liquefied Gases On L.P. Installations.
2. Fittings Shown Are Not Included With Heater.

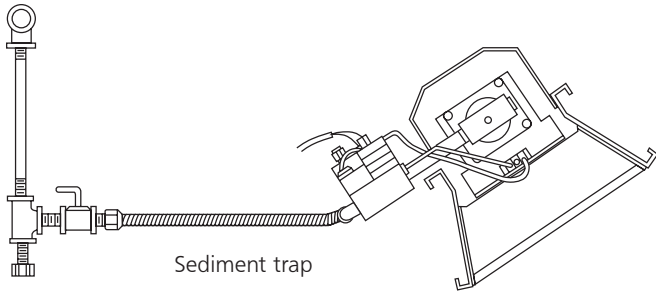


Figure 3. Typical Piping Installation

6. GAS PRESSURE

When a higher than the maximum recommended gas pressure is being maintained at the main gas line, a separate regulator must be installed ahead of the heater. Refer to Figure 2 for maximum allowable pressure for stated model and gas.

See heater rating plate for minimum gas supply pressure "For the Purpose of Input Adjustment"

On a multiple heater installation it may be possible to use one large capacity regulator or an individual regulator for each heater. Nevertheless, it is recommended practice to make the entire pipe system a loop. Contact your local representative or the factory for proper gas pressure reducing design stage.

⚠ WARNING: DO NOT EXCEED ½ P.S.I. INLET PRESSURE TO HEATERS SHOWN IN FIGURES 1 AND 2

FIGURE 1

MODEL NO.	BTU/HR. RATING		NORMAL MOUNTING POSITION	CLEARANCES TO COMBUSTIBLES			
	GAS			TOP	SIDES	BACK	BELOW
	NATURAL	PROPANE					
4030**	30,000	30,000	Horiz.-45	30"	30"	30"	54"
4040*	40,000	40,000	Horiz.-45	34"	30"	30"	68"
8050**	50,000	50,000	Horiz.-45	36"	30"	30"	78"
8060*	60,000	60,000	Horiz.-45	40"	30"	30"	84"
8070**	70,000	-	Horiz.-45	40"	30"	30"	84"
9080**	80,000	80,000	Horiz.-45	46"	40"	40"	104"
9090**	90,000	90,000	Horiz.-45	46"	46"	46"	114"
9100S*	100,000	100,000	Horiz.-45	48"	46"	46"	118"
9100**	100,000	100,000	Horiz.-45	44"	40"	40"	104"
9120*	120,000	120,000	Horiz.-45	46"	46"	46"	114"
9140**	140,000	-	Horiz.-45	46"	46"	46"	114"

*High Intensity Heaters are only sold as 4040, 8060, 9100S, and 9120

**Different model numbers are achieved by using supplemental orifices included with heaters to change heat output.

The clearances to combustibles represent a surface temperature of 90 F (32 C) above room temperature. Building materials with low heat tolerance may be subject to degradation at lower temperatures. It is the installer's responsibility.

7. ELECTRICAL

All external wiring must be in accordance with the existing electrical code. Use wiring diagram furnished with heater. Be sure electric supply characteristics match those called for on the name plate. The unit must be electrically grounded in accordance with the National Electrical Code, ANSI/NFPA70, latest revision. In Canada refer to Canadian electrical code CSA C22.1

8. THERMOSTAT & LOCATION

Make sure that the electrical characteristics of the thermostat match those of the heater controls. For best results thermostat should be positioned 5 ft. above floor where air can circulate freely around it. DO NOT MOUNT directly to cold-side wall, in direct drafts or directly beneath the infra-red heater.

9. VENTILATION

- a. The minimum intake and exhaust air openings shall provide for not less than 400 CFM for every 100,000 BTU input except that the infiltration area may be included in the intake area. The exhaust fan must be interlocked with the heater thermostat. If a power exhaust fan is used, it should be controlled by the thermostat or humidistat
- b. Where natural (gravity) ventilation is provided for exhaust, the openings must be distributed above the heaters (preferably at the peak of the roof) and the areas of openings shall not be less than 300 square inches for every 100,000 BTU input.

10. OPERATIONS

Upon completion of electrical wiring, gas piping and purging of gas lines to heaters, refer to the lighting instruction plate attached to heater for proper lighting procedure.

11. CLEANING INFORMATION

Blow out Venturi and burner face with compressed air (25psi max. pressure); also clean orifices (see Figure 2 for correct size drill). For detailed maintenance and cleaning instructions contact your local representative or factory.

⚠ WARNING: GASKET BINDER MATERIAL USED IN THIS HEATER ASSEMBLY WILL TEMPORARILY EMIT AN ODOR AND/OR VAPOR. USE VENTILATION (a OR b) AND THIS CONDITION WILL CLEAR UP IN APPROXIMATELY 20 MINUTES AND WILL NOT REOCCUR.

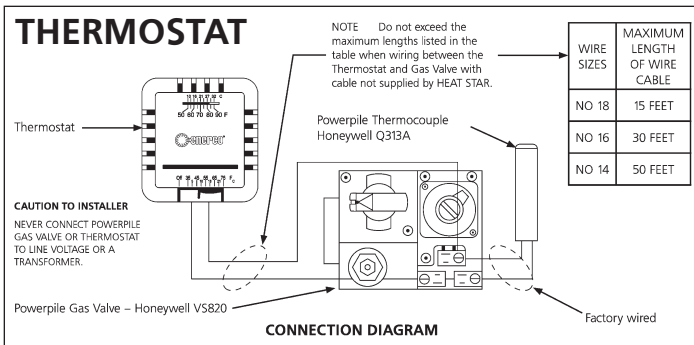
⚠ WARNING: DO NOT ATTEMPT TO IGNITE THE PILOT BY HAND ON HEATERS EQUIPPED WITH AUTOMATIC SPARK IGNITION.

⚠ WARNING: THE STATE OF CALIFORNIA REQUIRES THE FOLLOWING WARNING: COMBUSTION BY-PRODUCTS PRODUCED WHEN USING THIS PRODUCT CONTAIN CARBON MONOXIDE, A CHEMICAL KNOWN TO THE STATE OF CALIFORNIA TO CAUSE CANCER AND BIRTH DEFECTS (OR OTHER REPRODUCTIVE HARM).

⚠ NOTE: USE LATEST EDITION FOR ALL ANSI STANDARD AND CANADIAN STANDARDS.

FIGURE 2

MODEL NO.	BTU/HR. RATING		GAS SUPPLY PRESSURE (W.C.)						ORIFICE SIZE	
	GAS		MIN.		MAX.		MANIFOLD		NAT.	L.P.
	NATURAL	PROPANE	NAT.	L.P.	NAT.	L.P.	NAT.	L.P.		
4030	30,000	30,000	6.6"	11"	14"	14"	5.6"	10"	43	52
4040	40,000	40,000	6.8"	11"	14"	14"	5.8"	10"	37	49
8050	50,000	50,000	7.0"	11"	14"	14"	4.3"	10"	30	45
8060	60,000	60,000	7.0"	11"	14"	14"	5.8"	10"	30	43
8070	70,000	-	7.0"	-	14"	-	6.0"	-	29	-
9080	80,000	80,000	7.0"	11"	14"	14"	5.8"	10"	37	49
9090	90,000	90,000	7.0"	11"	14"	14"	5.0"	10"	32	47
9100S	100,000	100,000	7.0"	11"	14"	14"	5.0"	10"	31	46
9100	100,000	100,000	7.0"	11"	14"	14"	4.3"	10"	30	45
9120	120,000	120,000	7.0"	11"	14"	14"	5.8"	10"	30	43
9140	140,000	-	7.0"	-	14"	-	5.5"	-	29	-



12. START-UP PROCEDURE

OPEN THE GAS SUPPLY VALVE OR VALVES.

Set the thermostat to the OFF position. See Figure 5. If the manual gas control knob on the gas valve is not in the OFF position, partially depress the knob and rotate to the OFF position. See Figure 6.

Wait 5 minutes to allow gas that may have accumulated in the main burner to escape (especially important after installation).

Turn the manual gas control knob to the PILOT position.

Depress the manual gas control knob. Using a match, light the pilot light. See Figure 6. Hold the knob down for approximately 30 seconds to allow any air in gas lines to pass through pilot and, once the pilot is lit, allow the thermocouple to heat up enough to activate the safety valve in an open position.

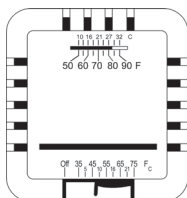


Figure 5.
Thermostat controls

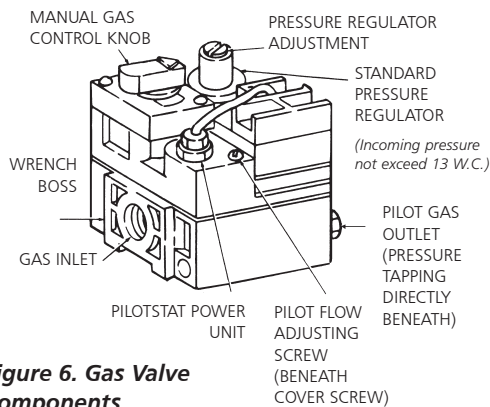


Figure 6. Gas Valve Components

Release manual gas control knob and turn to ON. Reset thermostat to desired temperature.

NOTE:

During the initial startup of MR. HEATER an odor and, perhaps, some vapor will come from the heater. This is the gasket binding material emitting this odor and/or vapor. After approximately 20 minutes this odor will disappear and not occur again.

13. SHUTDOWN

1. Turn thermostat to OFF.
2. Turn manual gas control knob on gas valve to PILOT position.
3. Partially depress knob and rotate to the OFF position.
4. Close gas supply valves.

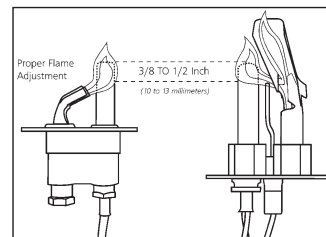
14. OPERATOR MAINTENANCE INSTRUCTIONS

1. TROUBLESHOOTING

- a. Table 4 lists system issues which may occur during the operation or maintenance of your heater.
- b. For additional information refer to Honeywell Field Bulletin enclosed in the heater carton.
- c. In the event, results cannot be obtained after performing all listed solutions, call your Mr. Heater dealer, or the factory customer service department at 1-800-251-0001.

2. ADJUSTING THE PILOT FLAME

The pilot flame should envelope $3/8$ to $1/2$ in. (10 to 13mm) of the tip of the thermocouple or generator. To adjust the pilot flame:



- a. Remove pilot adjustment cover screw. Refer to Figure 8.
- b. Turn inner adjustment screw clockwise to decrease or counterclockwise to increase pilot flame.
- c. Always replace cover screw after adjustment and tighten firmly to ensure proper operation.

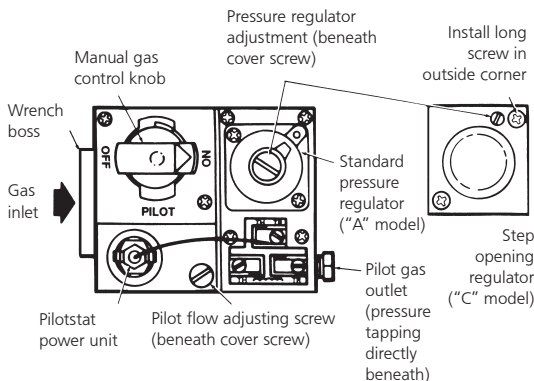


Figure 8.
Top view of standard capacity gas control.

13. REPLACING THE GAS VALVE UNIT

- a. Remove the two gas valve unit wires at the gas control valve labeled "PP."
- b. Unscrew gas valve from gas piping.
- c. Reconnect gas valve and unit wires to terminals "PP." Be sure to leave thermostat wire on one terminal.

15. FREQUENCY OF OPERATOR CHECKS

Intermittent Use

Appliances that are used seasonally should be checked before shutdown and again before the next use.

Dusty, wet or corrosive environment. Since these environments can cause the gas control to deteriorate more rapidly, the system should be checked more often.

The gas control should be replaced if:

- a. It does not perform properly on checkout or troubleshooting.
- b. The gas control knob is hard to turn or push down, or it fails to pop back up when released.

TABLE 4. TROUBLESHOOTING CHART

Below in chart form are various symptoms of a malfunctioning system, possible defects that will cause these symptoms and suggested corrective measure. The chart assumes that the proper

gas pressure is available to the heater and that the lighting procedure is as stated on the plate attached to the heater.

SYMPTOMS	CAUSES	SOLUTIONS
Burner light off very slow	Partially blocked pilot orifice Pilot out of adjustment	Re-adjust pilot Replace
Burner light off very slowly Color stays dull	Partially blocked burner orifice	Replace
Burner flashback (roaring noise during operation and ceramic grid surface will be dark)	Low gas pressure Damaged burner	Correct line pressure or call your gas supplier Replace
Ceramic grid or burner sooting up (when new or after cleaning)	First check for damaged burner orifice If burner orifice is not damaged then check for damaged manifold.	Replace if damaged Replace
Pilot cannot be ignited	Blocked pilot orifice Gas cock not in position Pilot gas flow adjustment screw may be closed	Replace Gas control knob must be turned to pilot and held depressed Open and adjust (see Figure 8)
Pilot lights but goes out	Defective thermocouple Defective control	Replace Replace
Pilot stays lit but main burner will not light	Loose wire or improperly wired Defective control Blocked burner orifice	Tighten connections, check wiring diagram Replace Clean orifice or replace
Failure to ignite	Main gas off Air in gas line Loose wire connections Dirty wire connections	Open manual valves Bleed gas line Tighten wire connections Clean terminals and secure terminals

HIGH ALTITUDE OPERATION

1. Please contact the factory for a detailed High Altitude Conversion Kit to suit your specific need.
 - 1.1 Be prepared to answer factory questions regarding: Type of fuel for the proposed appliance conversion, gas pressure available at site, and specific altitude at site.
2. "The conversion shall be carried out by a manufacturer's authorized representative, in accordance with the requirements of the manufacturer, provincial or territorial authorities having jurisdiction and in accordance with their requirements."
3. High Altitude Conversion Kits will include high altitude rating plate with stamped data, necessary orifices or burner as required for specific need and additional installation instructions.
4. In Canada, Heater installations at High Altitudes shall comply with the applicable construction provisions of the current standard CAN1-2.17, gas fired appliances for use at high altitudes.

CONNECTION DIAGRAM FOR FLAME ROD CURRENT FOR FLAME RECTIFICATION SYSTEMS (DSP-5, A5)

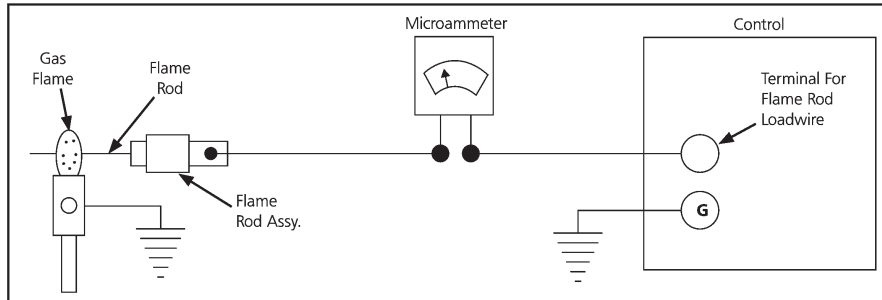


Figure 3 – Using a microammeter to prove adequate grounding area.

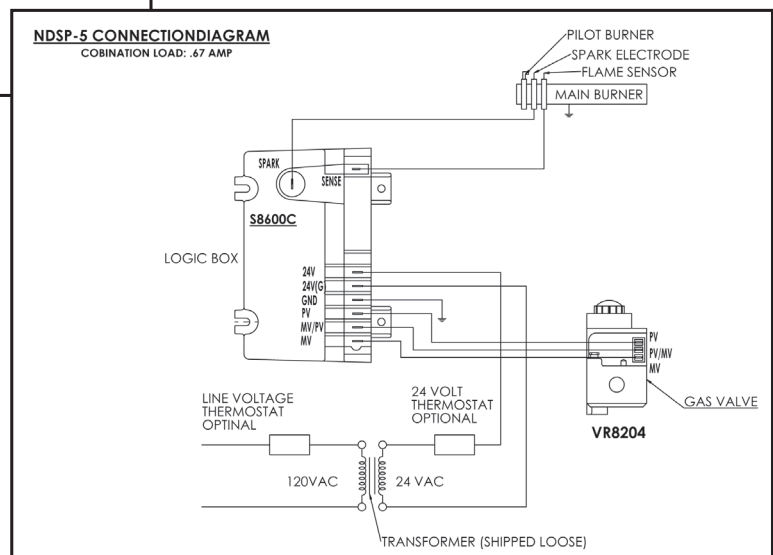
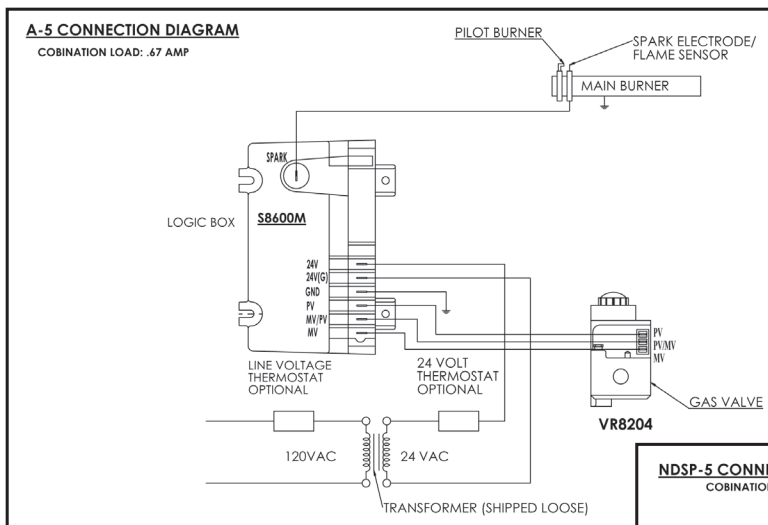
MEANS OF PROVING ADEQUATE GROUNDING AREA

The proper flame-rod-to-ground-area ratio cannot always be determined by visual examination or physical measurement. A positive means of checking the installation is the measurement of the flame rod current under actual firing conditions. It is definitely recommended that the installer measure the current flow between the lead of the flame rod unit and the terminal in the control terminal board (see Figure 3). Measure the current with a DC Microammeter or equal. We recommend a steady output of .9 microamperes or

more. A steady flow of current in this amount under actual firing conditions will generally indicate adequate grounding of the pilot flame.

NOTE:

1. Read all control data sheet supplied with this heater.
2. Check flame rod for any contact to heater parts. Flame rod must be free of any contact to heater. Contact with heater will short circuit flame rod.
3. Cracked porcelain on flame rod will short circuit sensor. Replace flame rod.

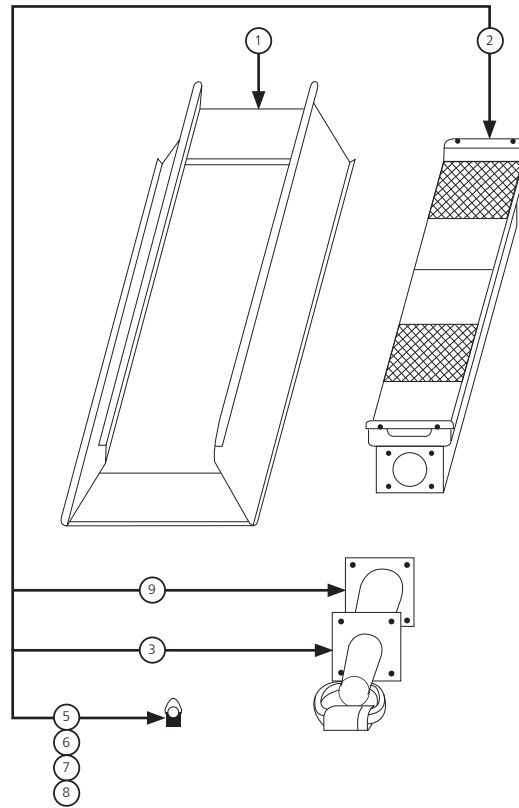


LINE OR 24 VOLT THERMOSTATS ARE APPROVED AND TO BE USED AT THE INSTALLERS DISCRETION

P/N-18651

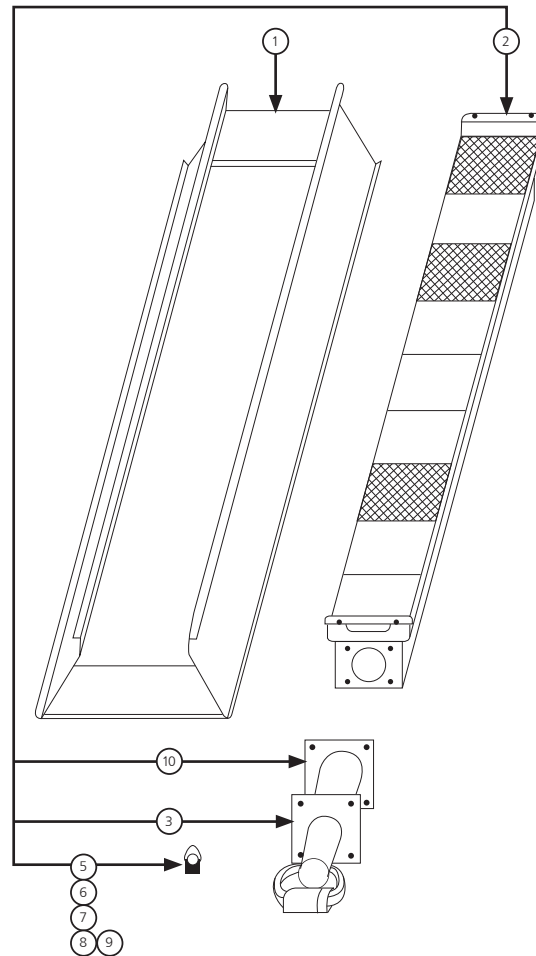
**Replacement Parts List For Heaters
4000 Series Models / Less Control**

Item No.	No. Req'd.	Stock No.	Description
1	1	00435 A	Reflector Assembly
2	1	02523 A	Burner Assembly
3	1	03397 P	Venturi
4			
5	1	05437	Orifice – Br. N.G. 4040
6	1	05443	Orifice – Br. N.G. 4030
7	1	05449	Orifice – Br. L.P. 4040
8	1	05452	Orifice – Br. L.P. 4030
9	1	12366	Gasket – Venturi
10			
11			
<p style="text-align: center;">4040 Nat. Gas — or 2</p> <p style="text-align: center;">① ③ ⑤ ⑨</p>			
<p style="text-align: center;">4040 Nat. Gas — or 2</p> <p style="text-align: center;">① ③ ⑥ ⑨</p>			
<p style="text-align: center;">4040 Propane — or 2</p> <p style="text-align: center;">① ③ ⑦ ⑨</p>			
<p style="text-align: center;">4040 Propane — or 2</p> <p style="text-align: center;">① ③ ⑧ ⑨</p>			



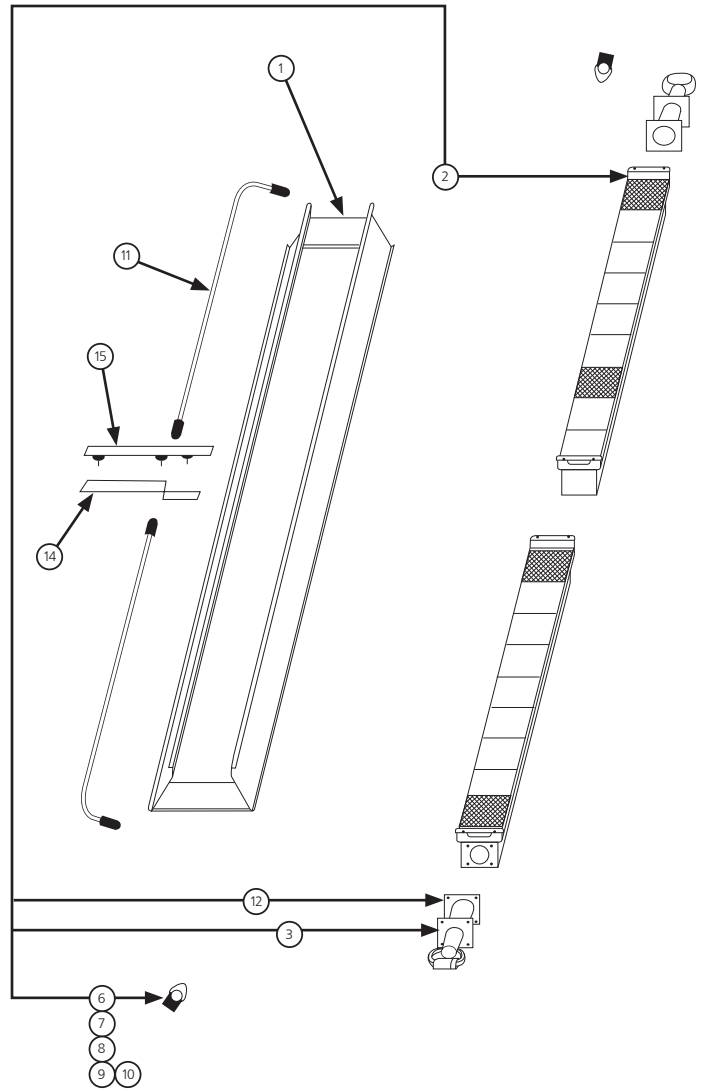
**Replacement Parts List For Heaters
8000 Series Models / Less Control**

Item No.	No. Req'd.	Stock No.	Description
1	1	00442 A	Reflector Assembly
2	1	02524 A	Burner Assembly
3	1	03421 P	Venturi
4			
5	1	05429	Orifice – Br. N.G. 8070
6	1	05430	Orifice – Br. N.G. 8060
7	1	05430	Orifice – Br. N.G. 8050
8	1	05443	Orifice – Br. L.P. 8060
9	1	05445	Orifice – Br. L.P. 8050
10	1	12366	Gasket – Venturi
11			
12			
<p style="text-align: center;">8070 Nat. Gas — or 2</p> <p style="text-align: center;">① ③ ⑤ ⑩</p>			
<p style="text-align: center;">8060 Nat. Gas — or 2</p> <p style="text-align: center;">① ③ ⑥ ⑩</p>			
<p style="text-align: center;">8050 Nat. Gas — or 2</p> <p style="text-align: center;">① ③ ⑦ ⑩</p>			
<p style="text-align: center;">8060 Propane — or 2</p> <p style="text-align: center;">① ③ ⑧ ⑩</p>			
<p style="text-align: center;">8050 Propane — or 2</p> <p style="text-align: center;">① ③ ⑨ ⑩</p>			



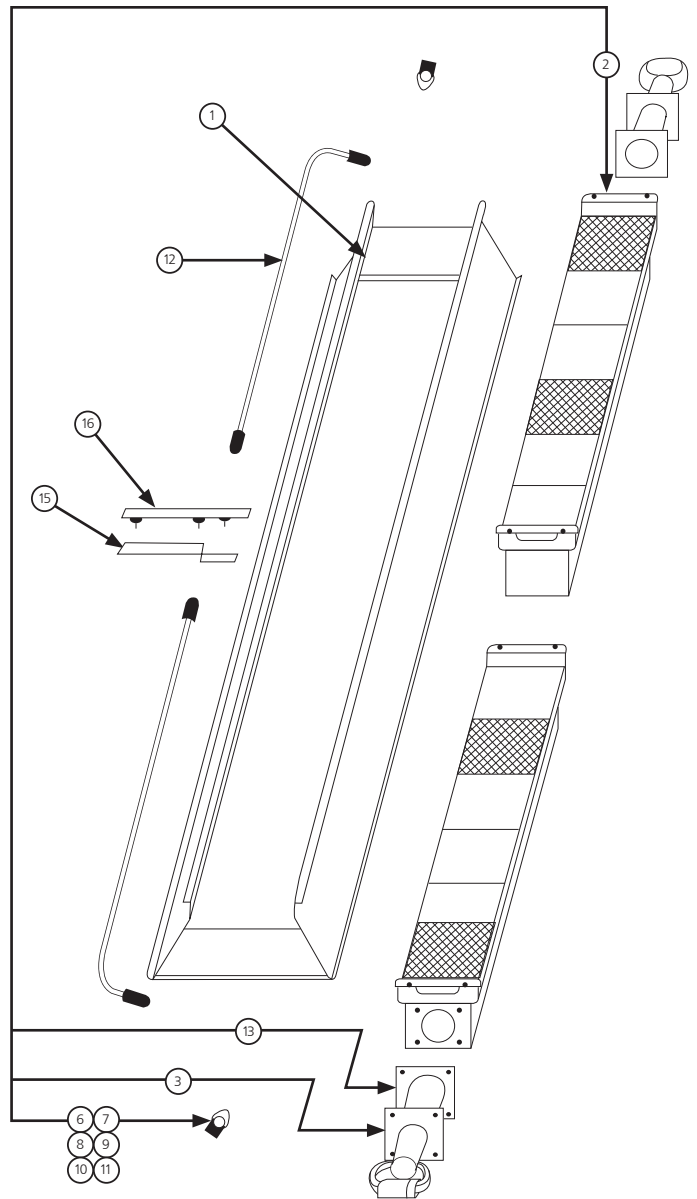
Replacement Parts List For Heaters
9000 Series Models / Less Control

Item No.	No. Req'd.	Stock No.	Description
1	1	00444 A	Reflector Assembly
2	2	02694	Burner Assembly
3	2	03421 P	Venturi
4			
5			
6	2	05429	Orifice – Br. N.G. 9140
7	2	05430	Orifice – Br. N.G. 9120
8	2	05430	Orifice – Br. N.G. 9100
9	2	05443	Orifice – Br. L.P. 9120
10	2	05445	Orifice – Br. L.P. 9100
11	2	06396	Manifold Assembly
12	2	12366	Gasket – Venturi
13			
14	1	14639	Center Saddle Bracket
15	1	11381	Center Support Ass'y
16			
17			
9140 Nat. Gas			
①	③	⑥ ⑪ ⑫ ⑭ ⑮	or ②
9120 Nat. Gas			
①	③	⑦ ⑪ ⑫ ⑭ ⑮	or ②
9100 Nat. Gas			
①	③	⑧ ⑪ ⑫ ⑭ ⑮	or ②
9120 Propane			
①	③	⑨ ⑪ ⑫ ⑭ ⑮	or ②
9100 Propane			
①	③	⑩ ⑪ ⑫ ⑭ ⑮	or ②



Replacement Parts List For Heaters
9100S Series Models / Less Control


Item No.	No. Req'd.	Stock No.	Description
1	1	00443 A	Reflector Assembly
2	2	02508 A	Burner Assembly
3	2	03421 P	Venturi
4			
5			
6	2	05431	Orifice – Br. N.G. 9100S
7	2	05432	Orifice – Br. N.G. 9090
8	2	05437	Orifice – Br. N.G. 9080
9	2	05446	Orifice – Br. L.P. 9100S
10	2	05447	Orifice – Br. L.P. 9090
11	2	05449	Orifice – Br. L.P. 9080
12	2	06398	Manifold Assembly
13	2	12366	Gasket – Venturi
14			
15	1	14639	Center Saddle Bracket
16	1	11381	Center Support Assembly
9100S Nat. Gas			
①	③	⑥ ⑫ ⑬ ⑮ ⑯	or ②
9090 Nat. Gas			
①	③	⑦ ⑫ ⑬ ⑮ ⑯	or ②
9080 Nat. Gas			
①	③	⑧ ⑫ ⑬ ⑮ ⑯	or ②
9100S Propane			
①	③	⑨ ⑫ ⑬ ⑮ ⑯	or ②
9090 Propane			
①	③	⑩ ⑫ ⑬ ⑮ ⑯	or ②
9080 Propane			
①	③	⑪ ⑫ ⑬ ⑮ ⑯	or ②

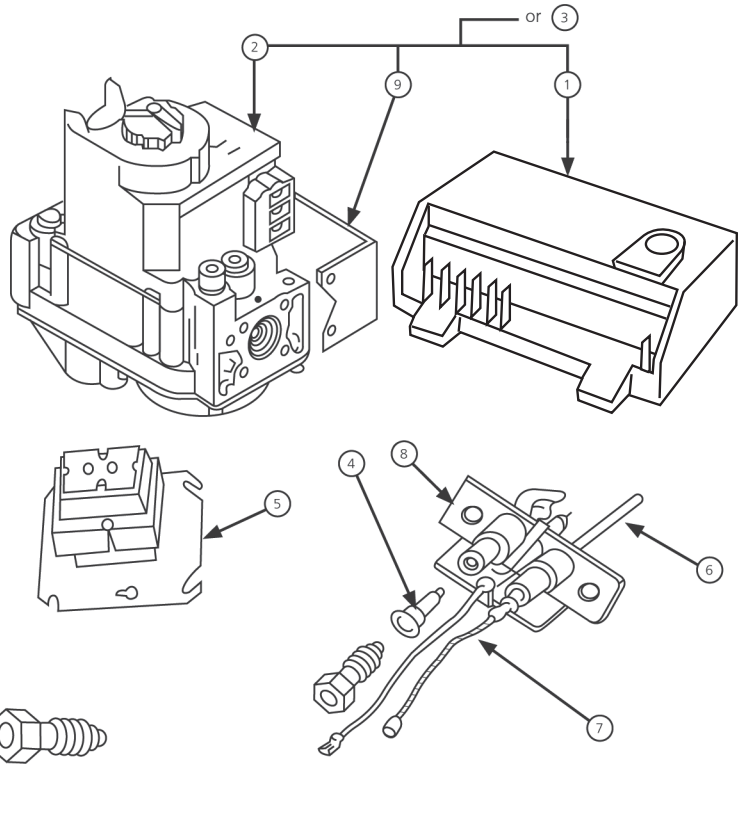


FOR HEAT STAR SERIES 4000, 8000

REPLACEMENT PARTS LIST FOR CONTROL SYSTEM SUFFIX NDSP-5

ITEM NO.	NO. REQ'D	STOCK NO.	DESCRIPTION
1	1	00061	IGNITION MODULE, HONEYWELL, S8600C
2	1	00037	GAS VALVE DSP-5/VR8204A2001/ SWC
3	1	00228	CONTROL ASSY. NDSP-5
4	1	05573	ORIFICE PILOT NG.
5	1	08353	TRANSFORMER 40VA
6	1	09374	PROBE T/C 1 5/32" LONG
7	1	09375	PROBE LEAD 4000, 8000, 9000 HTRS.
8	1	11403	PILOT BURNER ASSY.
9	1	14615	BRACKET MTG. A5,745RS,L & HON.V.
10	1	16425	FLEX PILOT TUBE W/FITTINGS


NDSP-5  or 2

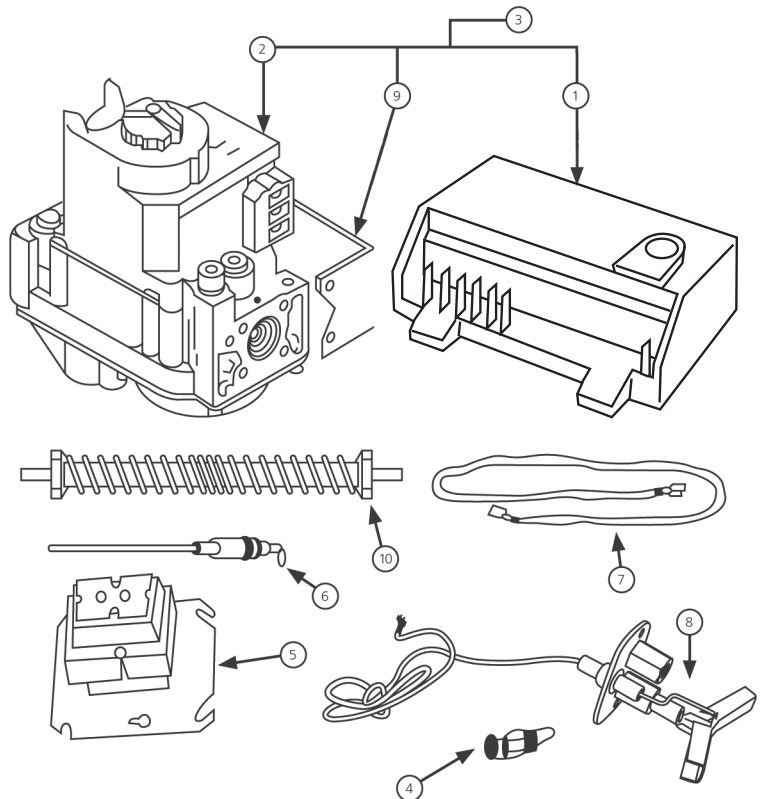


FOR HEAT STAR SERIES 9000, 9000S

REPLACEMENT PARTS LIST FOR CONTROL SYSTEM SUFFIX NDSP-5

ITEM NO.	NO. REQ'D	STOCK NO.	DESCRIPTION
1	1	00061	IGNITION MODULE, HONEYWELL, S8600C
2	1	00037	GAS VALVE DSP-5/VR8204A2001/ SWC
3	1	00228	CONTROL ASSY. NDSP-5
4	1	05383	ORIFICE PILOT - NG
5	1	08353	TRANSFORMER 40VA
6	1	09374	PROBE T/C 1 5/32" LONG
7	1	09375	PROBE LEAD 4000, 8000, 9000 HTRS.
8	1	11385	PILOT BURNER ASSY.
9	1	14615	BRACKET MTG. A5,745RS,L & HON.V.
10	1	16425	FLEX PILOT TUBE W/FITTINGS

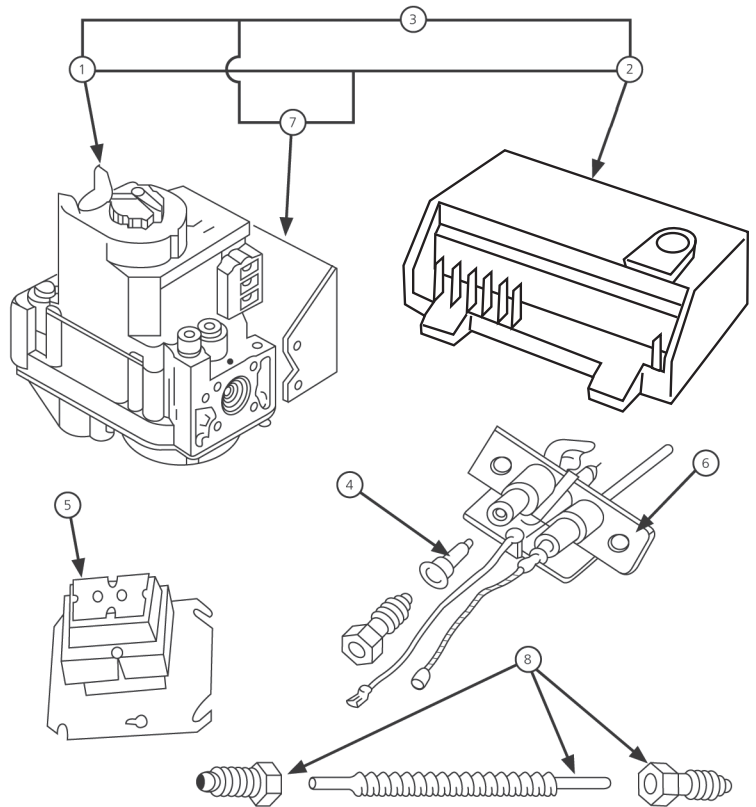
NDSP-5  or 2



FOR HEAT STAR SERIES 4000, 8000

REPLACEMENT PARTS LIST FOR CONTROL SYSTEM SUFFIX LA5

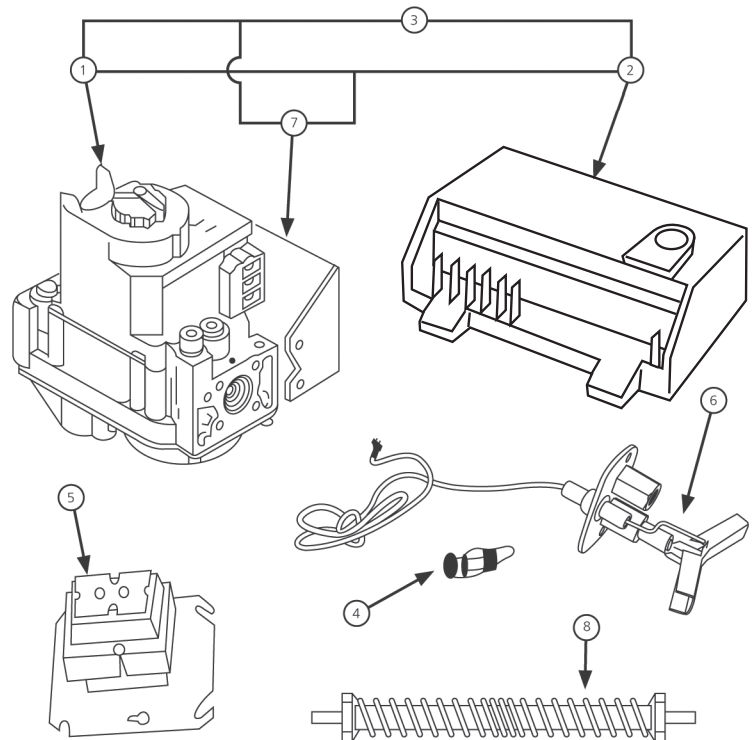
ITEM NO.	NO. REQ'D	STOCK NO.	DESCRIPTION
1	1	00036	GAS VALVE A5/VR8204A2092/11" WC
2	1	00062	IGNITION MODULE HONEYWELL S8600M
3	1	00329	CONTROL ASSY. LA5
4	1	05577	ORIFICE PILOT – LP
5	1	08353	TRANSFORMER 40VA
6	1	11407	PILOT BURNER ASSY.
7	1	14615	BRACKET MTG. A5, 745RS.L. & HON.V.
8	1	16425	FLEX PILOT TUBE W/FITTINGS
LA5			1 2 4 5 6 7 8 or 3



FOR HEAT STAR SERIES 9000, 9000S

REPLACEMENT PARTS LIST FOR CONTROL SYSTEM SUFFIX LA5

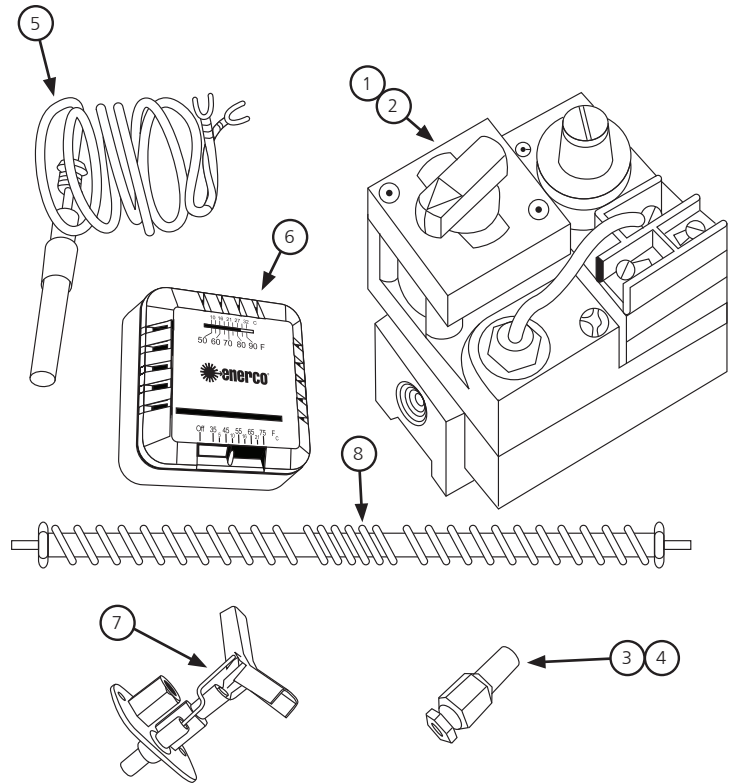
ITEM NO.	NO. REQ'D	STOCK NO.	DESCRIPTION
1	1	00036	GAS VALVE A5/VR8204A2092/11" WC
2	1	00062	IGNITION MODULE HONEYWELL S8600M
3	1	00329	CONTROL ASSY. LA5
4	1	05384	ORIFICE PILOT – LP
5	1	08353	TRANSFORMER 40VA
6	1	11385	PILOT BURNER ASSY.
7	1	14615	BRACKET MTG. A5, 745RS.L. & HON.V.
8	1	16425	FLEX PILOT TUBE W/FITTINGS
LA5			1 2 4 5 6 7 8 or 3



FOR HEAT STAR SERIES 9000, 9000S

**REPLACEMENT PARTS LIST FOR
CONTROL SYSTEM SUFFIX NPP, LPP**

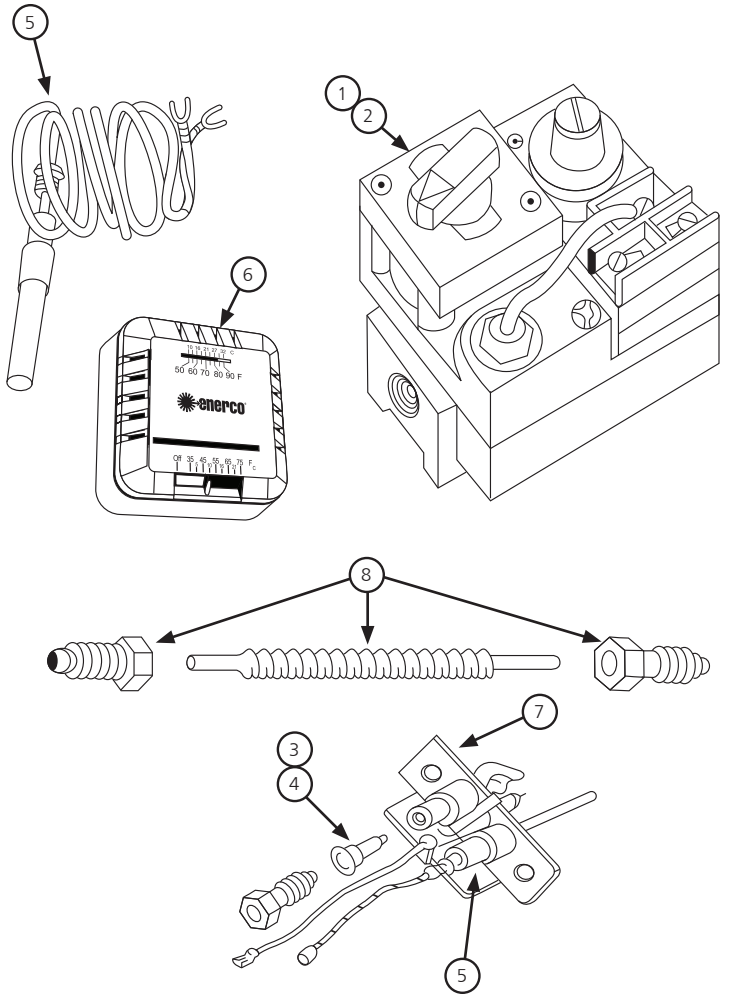
ITEM NO.	NO. REQ'D	STOCK NO.	DESCRIPTION
1	1	00024	COMB. GAS VALVE (PP) NG. 1/2x1/2 NPT
2	1	00025	COMB. GAS VALVE (PP) LP. 1/2x1/2 NPT
3	1	05384	ORIFICE PILOT LP
4	1	05383	ORIFICE PILOT NG
5	1	09360	THERMOCOUPLE PP HONEYWELL
6	1	10367	THERMOSTAT "PP" HEAT STAR
7	1	11385	PILOT BURNER-9000HTR
8	1	16425	FLEX PILOT TUBE WITH FITTINGS
			NPP (1) (4) (5) (6) (7) (8)
			LPP (2) (3) (5) (6) (7) (8)



FOR HEAT STAR SERIES 4000, 8000

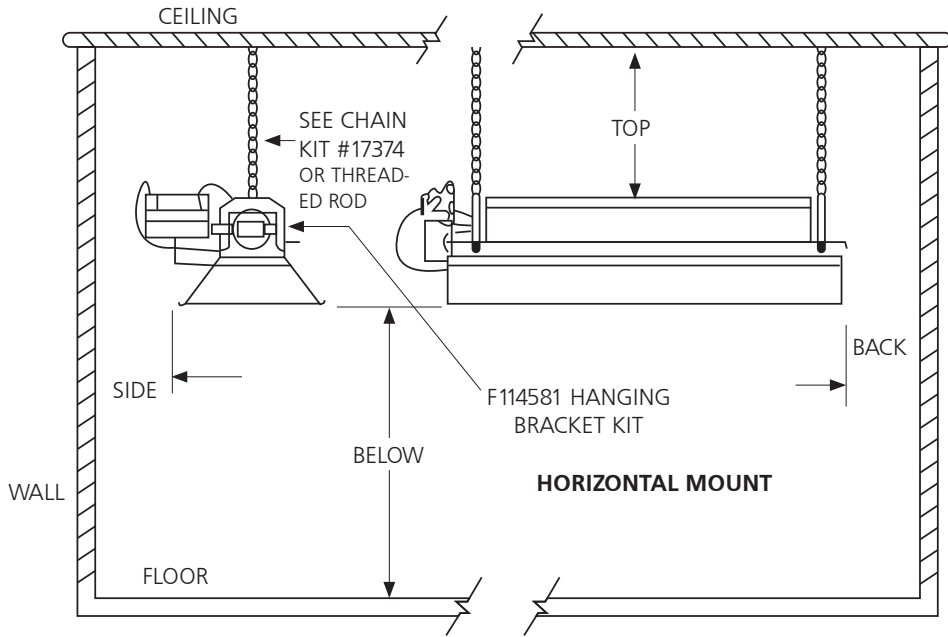
**REPLACEMENT PARTS LIST FOR
CONTROL SYSTEM SUFFIX NPP, LPP**

ITEM NO.	NO. REQ'D	STOCK NO.	DESCRIPTION
1	1	00024	COMB. GAS VALVE (PP) NG. 1/2x1/2 NPT
2	1	00025	COMB. GAS VALVE (PP) LP. 1/2x1/2 NPT
3	1	05577	ORIFICE PILOT LP
4	1	05573	ORIFICE PILOT NG
5	1	09360	THERMOCOUPLE PP HONEYWELL
6	1	10367	THERMOSTAT "PP" HEAT STAR
7	1	11405	PILOT-PP-4K, 8K HTR NG
7	1	11408	PILOT-PP-4K, 8K HTR LP
8	1	16425	FLEX PILOT TUBE WITH FITTINGS
			NPP (1) (4) (5) (6) (7) (8)
			LPP (2) (3) (5) (6) (7) (8)



- NOTE: 1 – WHEN ORDERING SPARE PARTS ALWAYS GIVE HEATER MODEL NO., STOCK NO., SERIAL NO., AND TYPE OR GAS USED.
- 2 – WHEN DISASSEMBLING PARTS FROM HEATER FOR REPAIR, CAREFULLY NOTE ORIENTATION OF PARTS, AND THEN REVERSE PROCEDURE WHEN ASSEMBLING.

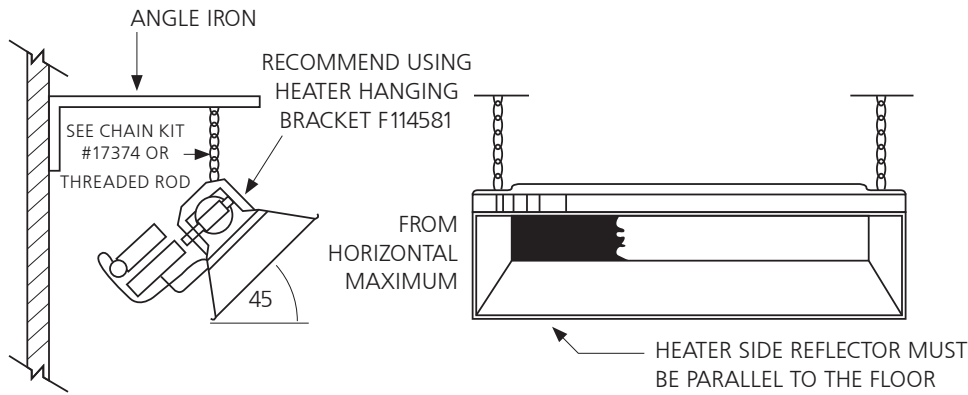
FIGURE 4 CLEARANCES TO COMBUSTIBLES



SEE INSTALLATION INSTRUCTIONS FOR DETAILED CLEARANCES INFORMATION

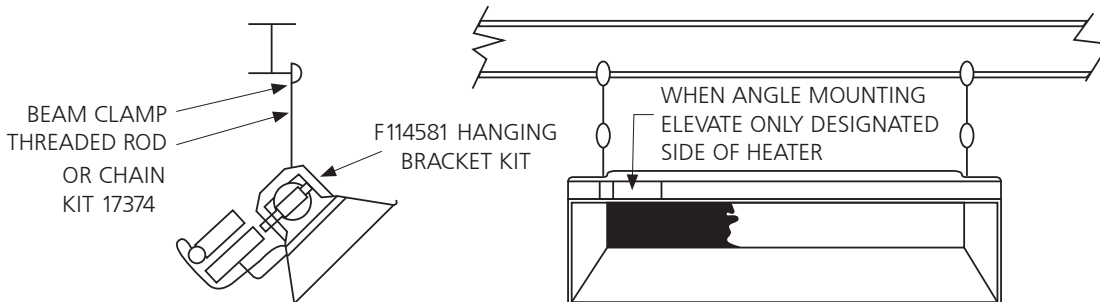
FIGURE 5 MOUNTING

TYPICAL WALL MOUNT



TYPICAL BEAM MOUNT

SUGGESTED HANGING METHOD
MODEL: 4000, 8000, 9000, MH40



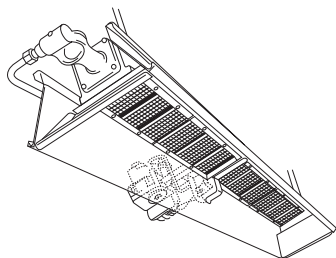
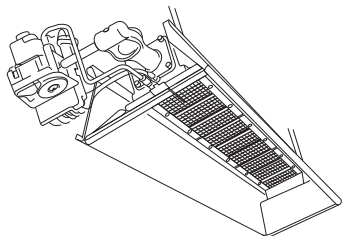
OPERATING INSTRUCTIONS AND OWNER'S MANUAL

Heatstar High-Intensity Infrared Heaters

MODELS

HS4030	HS8070	HS9100
HS4040	HS9080	HS9120
HS8050	HS9090	HS9140
HS8060	HS9100S	

Read Instructions Carefully: Read and follow all instructions. Place instructions in a safe place for future reference. Do not allow anyone who has not read these instructions to assemble, light, adjust or operate the heater.



Warning: USE ONLY MANUFACTURER'S REPLACEMENT PARTS, USE OF ANY OTHER PARTS COULD CAUSE INJURY OR DEATH. REPLACEMENT PARTS ARE ONLY AVAILABLE DIRECT FROM THE FACTORY AND MUST BE INSTALLED BY A QUALIFIED SERVICE AGENCY.

PARTS ORDERING INFORMATION:

Purchasing : Accessories may be purchased at any Mr. Heater/HeatStar local dealer or direct from the factory

For information regarding service

Please call Toll-Free 800-251-0001 • www.enerco-mrheater.com

Our office hours are 8:30 AM – 5:00 PM, EST, Monday through Friday.

Email to: techservice@enerco-mrheater.com

Please include the model number, date of purchase, and description of problem in all communication.

Limited Warranty

The company warrants this product to be free from imperfections in material or workmanship, under normal and proper use in accordance with instructions of The Company, for a period of one year from the date of delivery to the buyer. The Company, at its option, will repair or replace products returned by the buyer to the factory, transportation prepaid within said one year period and found by the Company to have imperfections in material or workmanship.

Pro-rated 10-year warranty on the burner assembly only.

If a part is damaged or missing, call our Technical Support Department at 800-251-0001.

Address any Warranty Claims to the Service Department, Enerco Group, Inc., 4560 W. 160th St., Cleveland, Ohio 44135. Include your name, address and telephone number and include details concerning the claim. Also, supply us with the purchase date and the name and address of the dealer from whom you purchased our product.

The foregoing is the full extent of the responsibility of the Company. There are no other warranties, express or implied. Specifically there is no warranty of fitness for a particular purpose and there is no warranty of merchantability. In no event shall the Company be liable for delay caused by imperfections, for consequential damages, or for any charges of the expense of any nature incurred without its written consent. The cost of repair or replacement shall be the exclusive remedy for any breach of warranty. There is no warranty against infringement of the like and no implied warranty arising from course of dealing or usage of trade. This warranty will not apply to any product which has been repaired or altered outside of the factory in any respect which in our judgment affects its condition or operation.

Some states do not allow the exclusion or limitation of incidental or consequential damages, so the above limitation or exclusion may not apply to you. This Warranty gives you specific legal rights, and you may have other rights which vary from state to state.

Enerco Group, Inc., reserves the right to make changes at any time, without notice or obligation, in colors, specifications, accessories, materials and models.



ANSI Z83.19a-2011/CSA 2.35a-2011

ENERCO GROUP, INC., 4560 W. 160TH ST., CLEVELAND, OHIO 44135 • 216-916-3000
Mr. Heater is a registered trademarks of Enerco Group, Inc.
© 2008, Enerco Group, Inc. All rights reserved

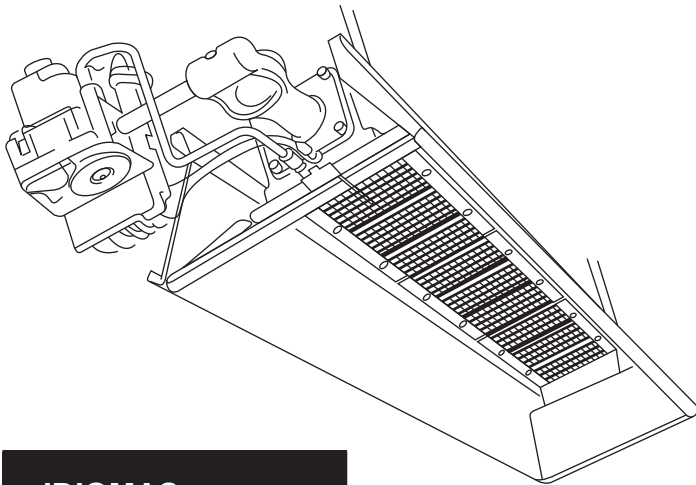
INSTRUCCIONES DE USO Y MANUAL DEL USUARIO

Calentadores infrarrojos de alta intensidad HEATSTAR

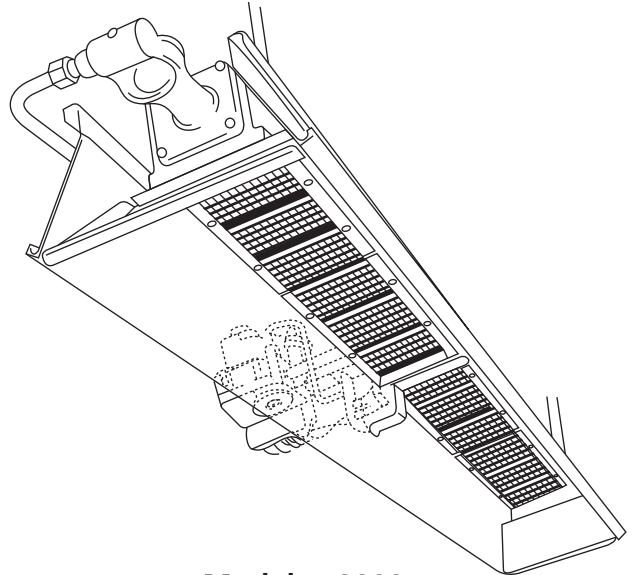
MODELOS

HS4030	HS8070	HS9100
HS4040	HS9080	HS9120
HS8050	HS9090	HS9140
HS8060	HS9100S	

LEA CUIDADOSAMENTE LAS INSTRUCCIONES: Lea y siga todas las instrucciones. Conserve estas instrucciones en un lugar seguro para futura referencia. No permita que nadie que no haya leído estas instrucciones arme, encienda, ajuste o use el calentador.



Modelos 4000 y 8000



Modelos 9000

IDIOMAS

INGLÉS

Páginas E1 — E16

▶ ESPAÑOL

Páginas S1 — S16

FRANCÉS

Páginas F1 — F16

ADVERTENCIA: Si no se siguen al pie de la letra las instrucciones de este manual, podría producirse un incendio o una explosión que provocaría daños materiales, lesiones o muertes.

- No almacene ni utilice gasolina ni ningún otro vapor ni líquido inflamable cerca de este ni de ningún otro artefacto.
- QUÉ HACER SI DETECTA OLOR A GAS
 - Abra las ventanas
 - **NO** intente encender ningún artefacto.
 - **NO** utilice interruptores eléctricos.
 - **NO** utilice ningún teléfono en la casa. Llame inmediatamente al proveedor de gas local desde el teléfono de un vecino. Siga las instrucciones del proveedor de gas.
 - **NO** toque ningún interruptor eléctrico; no utilice el teléfono en su vivienda.
 - La instalación y el servicio deben ser realizados por un instalador, una agencia de servicios, o un proveedor de gas calificados.
 - Si no puede comunicarse con el proveedor de gas, llame al Departamento de bomberos.

Este calentador a gas no tiene una fuente propia de ventilación. Utiliza el aire (oxígeno) del área en la cual se emplea. Debe suministrarse el aire necesario para la ventilación y la combustión. Consulte la página 4.

⚠ ADVERTENCIA: La instalación, el ajuste, la alteración, las reparaciones o el mantenimiento inadecuados pueden provocar daños materiales, lesiones o muertes. Lea cuidadosamente las instrucciones de instalación, uso y mantenimiento antes de instalar o reparar este equipo. Para obtener asistencia o información adicional, consulte con un instalador, una agencia de reparación o un proveedor de gas calificados.

⚠ ADVERTENCIA: Cuando se utiliza sin aire fresco, es posible que el calentador despida MONÓXIDO DE CARBONO, un gas venenoso inodoro. ABRA LA VENTANA UNA O DOS PULGADAS PARA QUE CORRA AIRE FRESCO CUANDO UTILICE EL CALENTADOR.

⚠ ADVERTENCIA: Este calentador está equipado con un SISTEMA DE SEGURIDAD DE ENCENDIDO DEL PILOTO. NO MODIFIQUE EL SISTEMA DE SEGURIDAD DE ENCENDIDO DEL PILOTO.

⚠ ADVERTENCIA: Si el calentador se apaga, no vuelva a encenderlo sin antes dejar correr aire fresco. Si el calentador sigue apagándose, hágalo reparar. Mantenga el quemador y el control limpios. Abra la puerta durante 5 minutos.

Mantenga distancia, como se muestra en la Figura 1 o en la placa del calentador.

- NO UTILICE FÓSFOROS NI NINGUNA OTRA LLAMA PARA VERIFICAR LAS FUGAS.
- NO EXCEDA LOS 3,44 kPa (1/2 PSI) DE PRESIÓN DE ENTRADA AL CALENTADOR.

PELIGRO:

La intoxicación con monóxido de carbono puede llevar a la muerte.

Intoxicación con monóxido de carbono:

Los primeros síntomas de la intoxicación con monóxido de carbono son gripe y dolor de cabeza, mareos o náuseas. Si presenta alguno de estos síntomas, puede ser que el calentador no esté funcionando correctamente. Tome aire fresco de inmediato. Llame al personal calificado para que le realice el servicio de mantenimiento al calentador. Algunas personas se ven más afectadas por el monóxido de carbono que otras. Esto incluye mujeres embarazadas, personas con problemas cardíacos o pulmonares, personas con anemia, personas que están bajo la influencia del alcohol y aquellas que se encuentran en altitudes elevadas.

CUIDADO:

- Nunca conecte la válvula de gas o el termostato a un voltaje de línea o a un transformador.
- Si el color infrarrojo de la rejilla se empalidece cuando el calentador del edificio está funcionando, consulte con el proveedor de gas sobre el tamaño correcto de la tubería de suministro de gas.
- Este calentador es apto solo para una instalación en interiores.

NOTA El material de las juntas utilizado en el armado de este calentador emitirá, momentáneamente, un olor o vapor. Esto se revertirá en aproximadamente 20 minutos y luego no volverá a suceder. Consulte la página 4 para obtener información sobre la ventilación.

EL ESTADO DE CALIFORNIA EXIGE LA SIGUIENTE ADVERTENCIA:

⚠ ADVERTENCIA: Una de las sustancias que se desprende en la combustión al usar este equipo es el monóxido de carbono, un compuesto químico que de acuerdo con el estado de California produce cáncer y defectos de nacimiento (u otros daños reproductivos).

CONTENIDOS

Información general.....	S3
Distancias	S3
Suministro de gas	S3
Presión de gas	S4
Electricidad	S5
Termostato y ubicación	S5
Ventilación	S5
Funcionamiento.....	S5
Información de limpieza.....	S5
Termostato	S6
Resolución de problemas	S7
Diagrama de conexión de la corriente de la varilla de la llama para los sistemas de rectificación de llamas	S8
Repuestos	S9
Repuestos para el sistema de control.....	S12

1. INFORMACIÓN GENERAL

- El calentador viene completamente armado y se lo prueba en la fábrica para verificar que el gas y la entrada indicados en la placa sean correctos.
- Antes de seguir con la instalación, verifique que la unidad no esté dañada. Debe notificar a la compañía de transporte que envíe el calentador acerca de cualquier daño antes de la instalación. HEATSTAR enviará repuestos para las partes dañadas solamente después de recibir un informe de inspección firmado para demostrar la responsabilidad de la compañía de transporte.
- No intente usar el calentador con ningún otro gas que no sea el que se indica en la placa del calentador.
- La instalación del calentador debe cumplir con los códigos de fabricación locales, o en ausencia de dichos códigos, con el Reglamento nacional de combustible gaseoso, ANSI Z223.1/NFPA54. En Canadá, consulte CAN 1-B146.1.
- La conexión de medición de prueba conectada de 0,32 cm (1/8 pulgadas) N.P.T. está ubicada en el control de gas del calentador o una conexión N.P.T. está ubicada en la parte exterior del Cast Venturi.

2. DISTANCIAS Distancias mínimas a combustibles. (Consulte la Figura 1)

Proporcione distancias adecuadas a los combustibles. Figura 1, entre el extremo de control del calentador para su mantenimiento y el mínimo en la parte superior y a los costados para que haya ventilación y suministro de aire de combustión.

Distancia mínima de 2,43 m (8 pies) por encima del piso en garajes públicos de acuerdo con ANSI/NFPA N.º 88, última edición, o con la Figura 1, la que sea más grande. En Canadá consulte CAN 1-B149.1 Códigos de instalación de artefactos de combustión a gas.

Distancia mínima de 3 m (10 pies) desde la parte inferior del calentador hasta la parte superior del ala o del recinto del motor, donde se guardan los aviones, y de 2,43 m (8 pies) por encima del piso en otras áreas del hangar de acuerdo con ANSI/NFPA N.º 409, última edición, o con la Figura 1; se debe utilizar la dimensión más grande de ANSI/NFPA N.º 409 o la Figura 1. En Canadá, consulte CCA B149-1-M91.

ADVERTENCIA: MANTENGA LAS DISTANCIAS COMO MUESTRA LA FIGURA 1 O LA PLACA DEL CALENTADOR, EN INSTALACIONES EN GARAJES DONDE LOS VEHÍCULOS ESTACIONADOS SE ENCUENTRAN DIRECTAMENTE DEBAJO DEL CALENTADOR.

3. SUSPENSIÓN

El calentador tiene cuatro orificios de montaje, dos en cada extremo, para sujetar la varilla o los soportes angulares de hierro y se debe fijar de manera segura y adecuada independientemente de las tuberías de suministro eléctrico y de gas. Consulte las Figuras 4, 5 y 7 en las páginas 13 y 14 para obtener información sobre las suspensiones recomendadas.

4. SUMINISTRO DE GAS

Proporcione el suministro de gas adecuado para la entrada especificada de cada calentador mediante la instalación estándar americana de tuberías de gas y artefactos a gas en edificios ANSI/223. 1a/Panfleto de NFPA54, la Tabla C-3 muestra la capacidad de las tuberías de diferentes diámetros y longitudes en pies cúbicos por hora para gas

natural con una caída de presión de 0,76 cm (0,3 pulgadas), una gravedad específica de 0,60. Para obtener información sobre la capacidad de gas licuado del petróleo (liquefied Petroleum, LP), consulte las Tablas C-3 y C-15 del mismo panfleto. Para obtener información sobre la conexión de gas recomendada para el calentador, consulte la Figura N.º 5, en la página 15. En Canadá, consulte CAN 1-B149.1 y CSA B63.

Si las tuberías de gas se van a probar bajo presión con aire comprimido, desconecte todos los calentadores para evitar que se dañe el control y que se salgan las tapas. Después de volver a conectar todos los calentadores, purgue las tuberías de gas de aire y verifique todas las conexiones con una solución de jabón para asegurarse de que no haya fugas.

ADVERTENCIA: NO UTILICE FÓSFOROS NI NINGUNA OTRA LLAMA PARA VERIFICAR LAS FUGAS.

5. REQUISITOS DE LAS TUBERÍAS

Todas las tuberías instaladas deben cumplir con los códigos y las ordenanzas locales o con el Reglamento nacional de combustible gaseoso, ANSI Z223.1 (NFPA 54), el que tenga prioridad. Cuando instale la tubería, debe tener en cuenta los siguientes requisitos:

- Utilice la nueva tubería negra adecuadamente escariada sin virutas.
- Coloque un compuesto para tuberías de buena calidad en todas las roscas macho antes del armado. Si el gas L.P. es el combustible, asegúrese de que el compuesto para tuberías sea resistente al gas L.P. NO UTILICE cinta TEFLON™.
- Antes de la instalación, coloque compuestos para tuberías en todas las roscas macho, como se muestra en la Figura 1.

UTILICE UNA CANTIDAD MODERADA DE PEGAMENTO PARA TUBERÍAS



DEJE LAS 2 PRIMERAS ROSCAS SIN PEGAMENTO

Figura 1. Colocación de compuestos para tuberías

- Las roscas machos de la tubería que se instalarán en la válvula de gas deben cumplir con los requisitos de la Figura 2. Las roscas más largas que las que se muestran en la figura podrían hacer que la válvula de gas se deforme y funcione mal.
- Se debe instalar un separador de sedimentos que cumpla con los requisitos típicos de la Figura 3 en la tubería a la válvula de gas.
- Se debe instalar una válvula de cierre exclusiva para el calentador en la tubería de suministro de gas.

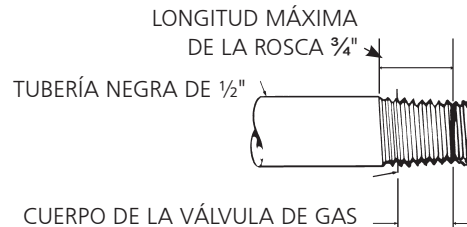


Figura 2. Requisitos de la conexión de la válvula de gas

NOTA:

1. Utilice solo un compuesto para tuberías que sea resistente a los gases licuados en las instalaciones de L.P.
2. Los acoples que se muestran no están incluidos en el calentador.

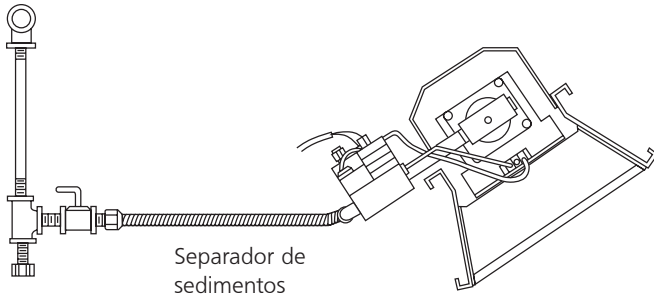


Figura 3. Instalación típica de las tuberías

FIGURA 1

N.º DE MODELO	ESPECIFICACIÓN DE BTU/HR.		POSICIÓN NORMAL DE MONTAJE	DISTANCIA A COMBUSTIBLES			
	GAS			SUPERIOR	COSTADOS	POSTERIOR	INFERIOR
	NATURAL	PROPANO					
4030**	30.000	30.000	Horiz.-45°	76 cm (30")	76 cm (30")	76 cm (30")	1,38 m (54")
4040*	40.000	40.000	Horiz.-45°	91 cm (34")	76 cm (30")	76 cm (30")	1,7 m (68")
8050**	50.000	50.000	Horiz.-45°	1,16 m (36")	76 cm (30")	76 cm (30")	2 m (78")
8060*	60.000	60.000	Horiz.-45°	1,02 m (40")	76 cm (30")	76 cm (30")	2,13 m (84")
8070**	70.000	-	Horiz.-45°	1,02 m (40")	76 cm (30")	76 cm (30")	2,13 m (84")
9080**	80.000	80.000	Horiz.-45°	1,16 m (46")	1,02 m (40")	1,02 m (40")	2,7 m (104")
9090**	90.000	90.000	Horiz.-45°	1,16 m (46")	1,16 m (46")	1,16 m (46")	2,9 m (114")
9100S*	100.000	100.000	Horiz.-45°	1,22 m (48")	1,16 m (46")	1,16 m (46")	3 m (118")
9100**	100.000	100.000	Horiz.-45°	1,12 m (44")	1,02 m (40")	1,02 m (40")	2,7 m (104")
9120*	120.000	120.000	Horiz.-45°	1,16 m (46")	1,16 m (46")	1,16 m (46")	2,9 m (114")
9140**	140.000	-	Horiz.-45°	1,16 m (46")	1,16 m (46")	1,16 m (46")	2,9 m (114")

*Los calentadores de alta intensidad que se venden son sólo 4040, 8060, 9100S y 9120

**Los diferentes números de modelo se alcanzan al usar los orificios suplementarios incluidos con los calentadores para cambiar el nivel de calor.

Las separaciones a los combustibles representan una temperatura superficial de 90 F (32 C) por encima de la temperatura ambiente. Materiales de construcción con la tolerancia al calor bajo puede estar sujeto a la degradación a temperaturas más bajas. Es responsabilidad del instalador.

6. PRESIÓN DE GAS

Cuando se mantiene una presión de gas más alta que la máxima recomendada en la tubería principal de gas, se debe instalar otro regulador antes que el calentador. Consulte la Figura 2 para obtener información sobre la presión máxima permitida para el modelo y el gas indicados.

Consulte la placa de especificaciones del calentador para obtener información sobre la presión mínima del suministro de gas "para ajustar la entrada"

Para una instalación de varios calentadores, es posible utilizar un regulador de gran capacidad o un regulador individual para cada calentador. Sin embargo, se recomienda hacer de todo el sistema de tuberías un circuito. Póngase en contacto con su representante local o con el fabricante para obtener información sobre la fase de diseño de reducción de la presión de gas adecuada.

⚠ ADVERTENCIA: NO EXCEDA LOS 3,44 kPa (½ P.S.I.) DE PRESIÓN DE ENTRADA A LOS CALENTADORES QUE SE MUESTRAN EN LAS FIGURAS 1 Y 2

7. ELECTRICIDAD

Todo el cableado externo debe cumplir con el código eléctrico existente. Utilice el diagrama de cableado suministrado con el calentador. Asegúrese de que las características del suministro eléctrico coincidan con las que aparecen en la placa. La unidad se debe conectar a tierra eléctricamente de acuerdo con el Código Eléctrico Nacional, ANSI/NFPA70, última revisión. En Canadá, consulte el código eléctrico canadiense CSA C22.1

8. TERMOSTATO Y UBICACIÓN

Asegúrese de que las características eléctricas del termostato coincidan con las de los controles del calentador. Para obtener mejores resultados, el termostato se debe ubicar 1,52 m (5 pies) por encima del piso, donde el aire pueda circular libremente alrededor de él. NO LO INSTALE directamente en una pared lateral fría, en lugares donde haya corrientes de aire directas, ni directamente debajo del calentador infrarrojo.

9. VENTILACIÓN

- Las aberturas mínimas de aire de entrada y salida deben proporcionar no menos de 679,6 m³/h (400 CFM) por cada entrada de 100.000 BTU excepto que el área de infiltración se incluya en el área de admisión. El ventilador de escape debe trabarse con el termostato del calentador. Si se utiliza un ventilador de escape con corriente, se debe controlar con el termostato o el higróstato
- Cuando se proporciona ventilación natural (por gravedad) a la salida, las aberturas se deben distribuir por encima de los calentadores (preferentemente en la parte más alta del techo) y las áreas de las aberturas no deben tener menos de 0,19 metros cuadrados (300 pulgadas cuadradas) por cada entrada de 100.000 BTU.

10. FUNCIONAMIENTO

Al completar el cableado eléctrico, las tuberías de gas y la purgación de las líneas de gas, consulte la placa de instrucciones de encendido que se encuentra en el calentador para obtener información sobre el procedimiento de encendido adecuado.

11. INFORMACIÓN DE LIMPIEZA

Limpie el Venturi y el quemador con aire comprimido (presión máxima de 11 kg/cm² [25 psi]); también limpie los orificios (vea la Figura 2 para obtener información sobre el tamaño correcto de la perforación). Para obtener información detallada sobre las instrucciones de mantenimiento y limpieza, comuníquese con el representante local o con el fabricante.

⚠️ ADVERTENCIA: EL MATERIAL DE LAS JUNTAS UTILIZADO EN EL ARMADO DE ESTE CALENTADOR EMITIRÁ, MOMENTÁNEAMENTE, UN OLOR O VAPOR. UTILICE VENTILACIÓN (a o b) Y ESTO SE REVERTIRÁ EN APROXIMADAMENTE 20 MINUTOS Y NO VOLVERÁ A SUCEDER.

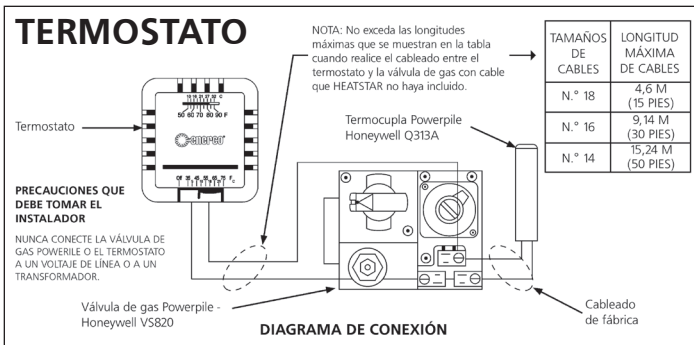
⚠️ ADVERTENCIA: NO INTENTE ENCENDER EL PILOTO MANUALMENTE EN CALENTADORES EQUIPADOS CON UN SISTEMA DE ENCENDIDO POR CHISPA AUTOMÁTICO.

⚠️ ADVERTENCIA: EL ESTADO DE CALIFORNIA EXIGE LA SIGUIENTE ADVERTENCIA: UNA DE LAS SUSTANCIAS QUE SE DESPRENDE EN LA COMBUSTIÓN AL USAR ESTE EQUIPO ES EL MONÓXIDO DE CARBONO, UN COMPUESTO QUÍMICO QUE DE ACUERDO CON EL ESTADO DE CALIFORNIA PRODUCE CÁNCER Y DEFECTOS DE NACIMIENTO (U OTROS DAÑOS REPRODUCTIVOS).

⚠️ NOTA: UTILICE LA ÚLTIMA EDICIÓN DE TODAS LAS NORMAS ANSI Y CANADIENSES.

FIGURA 2

N.º DE MODELO	ESPECIFICACIÓN DE BTU/HR.		PRESIÓN DEL SUMINISTRO DE GAS (W.C.)						TAMAÑO DEL ORIFICIO	
	GAS		MÍN.		MÁX.		COLECTOR		NAT.	L.P.
	NATURAL	PROPANO	NAT.	L.P.	NAT.	L.P.	NAT.	L.P.		
4030	30.000	30.000	16,7 cm (6,6")	28 cm (11")	35,6 cm (14")	35,6 cm (14")	14,2 cm (5,6")	25,4 cm (10")	43	52
4040	40.000	40.000	17,2 cm (6,8")	28 cm (11")	35,6 cm (14")	35,6 cm (14")	14,7 cm (5,8")	25,4 cm (10")	37	49
8050	50.000	50.000	18 cm (7")	28 cm (11")	35,6 cm (14")	35,6 cm (14")	11 cm (4,3")	25,4 cm (10")	30	45
8060	60.000	60.000	18 cm (7")	28 cm (11")	35,6 cm (14")	35,6 cm (14")	14,7 cm (5,8")	25,4 cm (10")	30	43
8070	70.000	–	18 cm (7")	–	35,6 cm (14")	–	15,2 cm (6")	–	29	–
9080	80.000	80.000	18 cm (7")	28 cm (11")	35,6 cm (14")	35,6 cm (14")	14,7 cm (5,8")	25,4 cm (10")	37	49
9090	90.000	90.000	18 cm (7")	28 cm (11")	35,6 cm (14")	35,6 cm (14")	12,7 cm (5")	25,4 cm (10")	32	47
9100S	100.000	100.000	18 cm (7")	28 cm (11")	35,6 cm (14")	35,6 cm (14")	12,7 cm (5")	25,4 cm (10")	31	46
9100	100.000	100.000	18 cm (7")	28 cm (11")	35,6 cm (14")	35,6 cm (14")	11 cm (4,3")	25,4 cm (10")	30	45
9120	120.000	120.000	18 cm (7")	28 cm (11")	35,6 cm (14")	35,6 cm (14")	14,7 cm (5,8")	25,4 cm (10")	30	43
9140	140.000	–	18 cm (7")	–	35,6 cm (14")	–	14 cm (5,5")	–	29	–



12. PROCEDIMIENTO DE ENCENDIDO

ABRA LA(S) VÁLVULA(S) DE SUMINISTRO DE GAS.

Coloque el termostato en la posición APAGADO (OFF). Consulte la Figura 5. Si la perilla manual de control de gas de la válvula de gas no se encuentra en la posición APAGADO, presione levemente la perilla y gírela hacia la posición APAGADO. Vea la figura 6.

Espere 5 minutos para permitir que salga el gas que se pudo haber acumulado en el quemador principal (especialmente importante después de la instalación).

Gire la perilla manual de control de gas hasta la posición PILOTO.

Presione la perilla manual de control de gas. Con un fósforo, encienda el piloto. Consulte la Figura 6. Mantenga la perilla presionada durante aproximadamente 30 segundos para permitir que el aire que se encuentra en las tuberías de gas pase por el piloto y, una vez que el piloto esté encendido, permita que la termocupla se caliente lo suficiente como para activar la válvula de seguridad en una posición abierta.

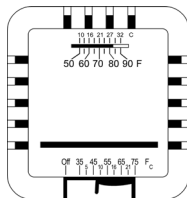


Figura 5. Controles del termostato

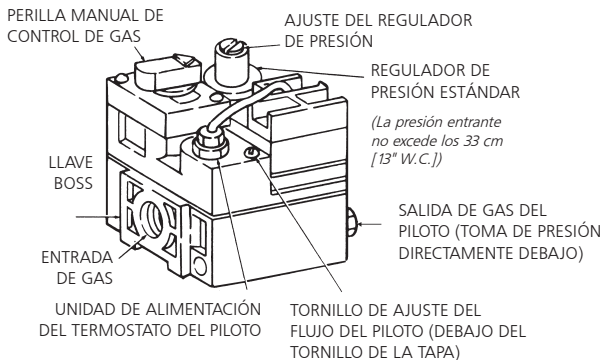


Figura 6. Componentes de la válvula de gas

Suelte la perilla manual de control de gas y gírela hasta la posición ENCENDIDO (ON). Configure nuevamente el termostato a la temperatura deseada.

NOTA:

Durante el encendido inicial de MR. HEATER, saldrá un olor y, quizá, un poco de vapor del calentador. Es el material de las juntas el que emite este olor o vapor. Después de aproximadamente 20 minutos el olor desaparecerá y esto no volverá a suceder.

13. APAGADO

1. APAGUE el termostato.
2. Gire la perilla manual de control de gas en la válvula de gas hacia la posición PILOTO.
3. Presione levemente la perilla y gírela hasta la posición APAGADO.
4. Cierre las válvulas de suministro de gas.

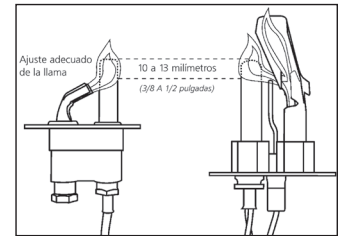
14. INSTRUCCIONES DE MANTENIMIENTO PARA EL OPERADOR

1. RESOLUCIÓN DE PROBLEMAS

- a. La Tabla 4 indica los problemas que pueden aparecer en el sistema durante el uso o mantenimiento del calentador.
- b. Para obtener más información consulte el Boletín de campo de Honeywell adjunto en la caja del calentador.
- c. En el caso de que no obtenga resultados después de llevar a cabo todas las soluciones de la lista, comuníquese con el distribuidor de Mr. Heater, o con el departamento de servicio al cliente de la fábrica al 1-800-251-0001.

2. AJUSTE DE LA LLAMA DEL PILOTO

La llama del piloto debe cubrir entre 10 y 13 mm (3/8 y 1/2 pulgadas) de la punta de la termocupla o del generador. Para ajustar la llama del piloto:



- a. Quite el tornillo de la tapa de ajuste del piloto. Consulte la Figura 8.
- b. Gire el tornillo de ajuste interno hacia la derecha para disminuir la llama del piloto o hacia la izquierda para aumentarla.
- c. Siempre reemplace el tornillo de la tapa después del ajuste y sujételo firmemente para garantizar un funcionamiento adecuado.

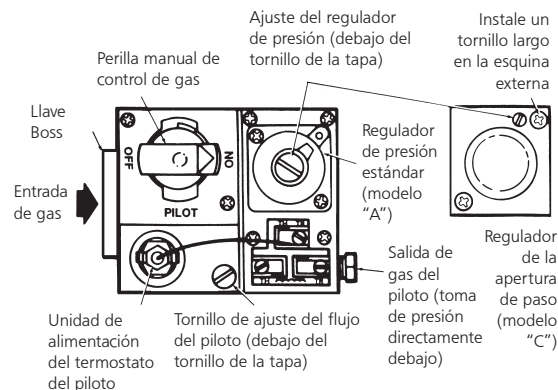


Figura 8. Vista superior del control de gas de capacidad estándar.

15. REEMPLAZO DE LA UNIDAD DE LA VÁLVULA DE GAS

- a. Quite los dos cables de la unidad de la válvula de gas en la válvula de control de gas con la etiqueta "PP".
- b. Desenrosque la válvula de gas de la tubería de gas.
- c. Vuelva a conectar la válvula de gas y los cables de la unidad a los terminales "PP." Asegúrese de dejar el cable del termostato en un terminal.

16. FRECUENCIA DE LAS VERIFICACIONES DEL OPERADOR

Uso intermitente

Los artefactos que se utilizan temporalmente se deben verificar antes del apagado y nuevamente antes del próximo uso.

Ambiente con polvo, húmedo o corrosivo. Debido a que estos ambientes pueden hacer que el control de gas se deteriore más rápidamente, el sistema se debe verificar con más frecuencia.

El control de gas se debe reemplazar si:

- a. No funciona correctamente en la verificación o resolución de problemas.
- b. La perilla de control de gas no se puede girar o presionar con facilidad, o no salta cuando se suelta.

TABLA 4. CUADRO DE RESOLUCIÓN DE PROBLEMAS

A continuación, en forma de cuadro, se encuentran varios síntomas de un sistema con fallas, los posibles defectos que causan estos síntomas y la medida correctiva sugerida. En el

cuadro se asume que la presión de gas adecuada está disponible para el calentador y que el procedimiento de encendido es el que se menciona en la placa del calentador.

SÍNTOMAS	CAUSAS	SOLUCIONES
El quemador se apaga muy lentamente	Orificio del piloto parcialmente bloqueado Piloto fuera del ajuste	Volver a ajustar el piloto Reemplazar
El quemador se apaga muy lentamente El color queda pálido	Orificio del quemador parcialmente bloqueado	Reemplazar
El quemador retrocede (hay un ruido crepitante durante el funcionamiento y la superficie de la rejilla de cerámica se oscurece)	Baja presión de gas Quemador dañado	Corregir la presión de línea o comunicarse con el proveedor Reemplazar
La rejilla de cerámica o el quemador tiene hollín (cuando son nuevos o después de una limpieza)	Primera verificación para ver si el orificio del quemador está dañado Si el orificio del quemador no está dañado verifique para ver si hay un colector dañado	Reemplazar si está dañado Reemplazar
El piloto no se puede encender	Orificio del piloto bloqueado. La válvula de gas no está en su posición Es posible que el tornillo de ajuste del flujo de gas del piloto esté cerrado	Reemplazar Girar la perilla de control de gas hasta piloto y mantenerla presionada Abrir y ajustar (vea la Figura 8)
El piloto enciende pero se apaga	Termocupla defectuosa Control defectuoso	Reemplazar Reemplazar
El piloto queda encendido pero el quemador principal no enciende	Cable flojo o mal conectado Control defectuoso Orificio del quemador bloqueado	Ajustar las conexiones, verificar el diagrama de cableado Reemplazar Limpiar el orificio o reemplazar
No enciende	El suministro de gas principal está apagado Aire en la tubería de gas Conexiones eléctricas flojas Conexiones eléctricas sucias	Abrir las válvulas manuales Purgar la tubería de gas Ajustar las conexiones eléctricas Limpiar y sujetar los terminales

FUNCIONAMIENTO EN ALTITUDES ELEVADAS

- Comuníquese con el fabricante para obtener un juego de conversión para altitudes elevadas detallado que satisfaga sus necesidades.
 - Esté preparado para responder preguntas de fabricación sobre: el tipo de combustible para la conversión de artefactos propuesta, la presión de gas disponible en el sitio y la altitud específica en el sitio.
- “Un representante autorizado del fabricante debe realizar la conversión, de acuerdo con los requisitos del fabricante, o por autoridades provinciales o territoriales que tengan jurisdicción y de acuerdo con sus requisitos.”
- Los juegos de conversión para altitudes elevadas incluyen una placa específica para altitudes elevadas con datos impresos, orificios y quemador necesarios para necesidades específicas e instrucciones de instalación adicionales.
- En Canadá, las instalaciones de calentadores en altitudes elevadas deben cumplir con las disposiciones de construcción aplicables de la norma CAN1-2.17 actual, para artefactos a gas para uso en altitudes elevadas.

DIAGRAMA DE CONEXIÓN DE LA CORRIENTE DE LA VARILLA DE LA LLAMA PARA LOS SISTEMAS DE RECTIFICACIÓN DE LLAMAS (DSP-5, A5)

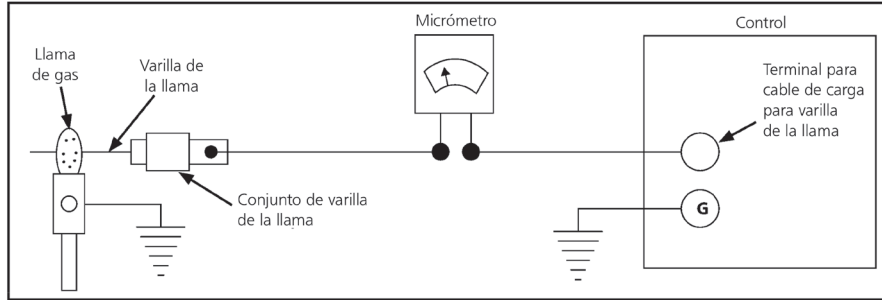


Figura 3: Utilización de un micrómetro para demostrar un área de conexión a tierra adecuada.

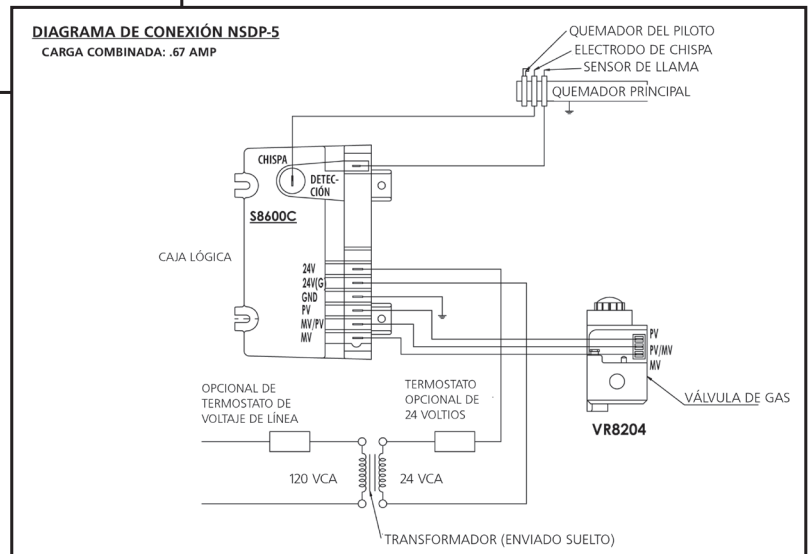
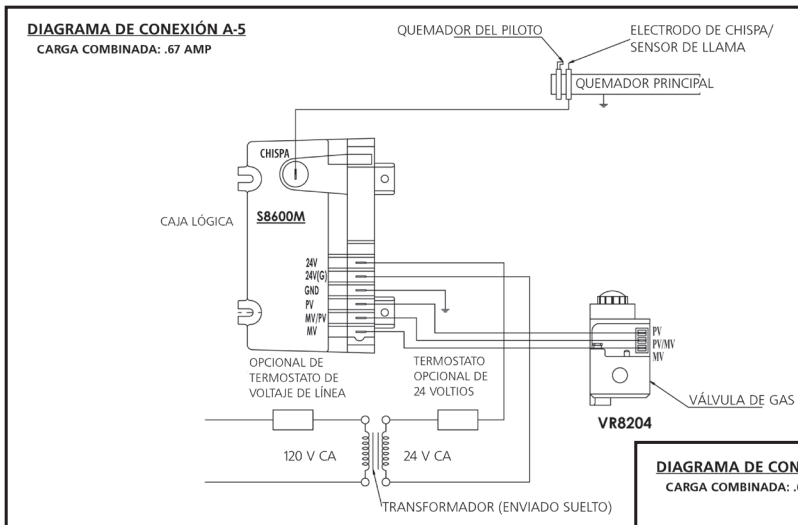
MEDIOS PARA DEMOSTRAR UN ÁREA DE CONEXIÓN A TIERRA ADECUADA

La relación entre la conexión a tierra y la varilla de la llama adecuada no siempre se puede determinar mediante un examen visual o una medición física. Una forma positiva de verificar la instalación es a través de la medición de corriente de la varilla de la llama bajo condiciones de encendido reales. Se recomienda que el instalador mida el flujo de corriente entre el cable de la varilla de la llama y el terminal en la placa del terminal de control (consulte la Figura 3). Mida la corriente con un micrómetro de CC o equivalente. Recomendamos una salida estable de 9 microamperios o más. Un flujo estable de corriente en esta cantidad bajo

condiciones de encendido reales generalmente indica una conexión a tierra adecuada de la llama del piloto.

NOTA:

1. Lea toda la hoja de datos de control suministrada con este calentador.
2. Verifique la varilla de la llama para ver si tiene contacto con las piezas del calentador. La varilla de la llama no debe tener ningún contacto con el calentador. El contacto con el calentador producirá un cortocircuito en la varilla de la llama.
3. La presencia de porcelana fisurada en la varilla de la llama producirá un cortocircuito en el sensor. Reemplace la varilla de la llama.

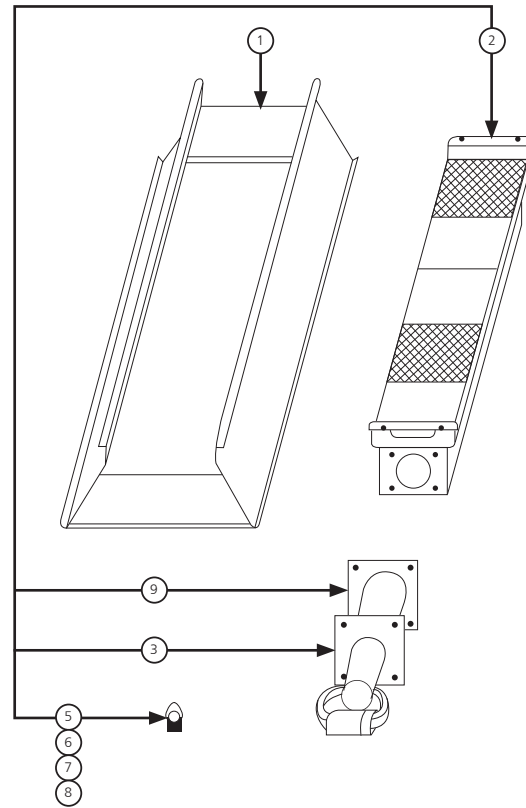


LOS TERMOSTATOS DE TENSIÓN DE LÍNEA O DE 24 VOLTIOS ESTÁN APROBADOS Y SE DEBEN USAR SEGÚN EL CRITERIO DE LOS INSTALADORES

P/N-18651

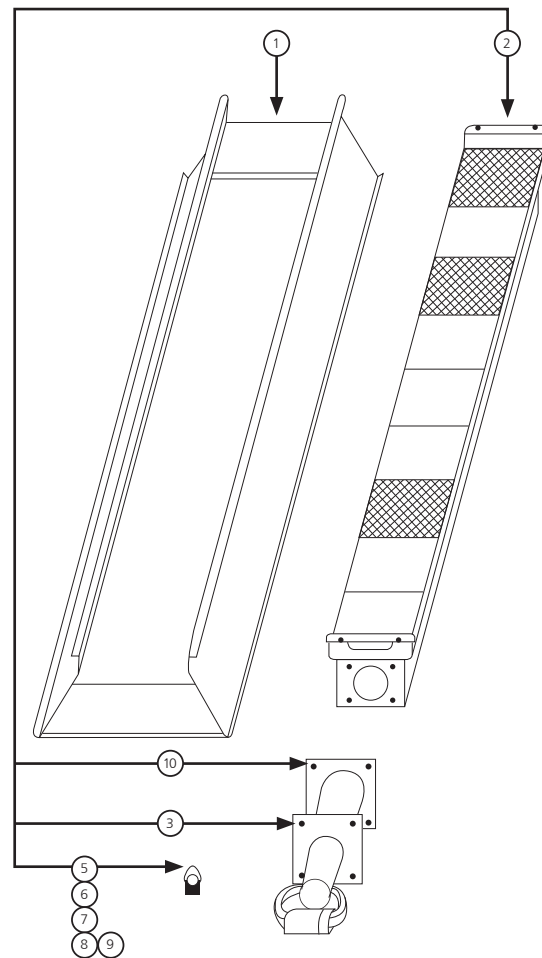
Lista de repuestos para modelos de calentadores de serie 4000 / Menos control

N.º de artículo	Cantidad necesaria	N.º de inventario	Descripción
1	1	00435 A	Conjunto de reflector
2	1	02523 A	Conjunto de quemador
3	1	03397 P	Venturi
4			
5	1	05437	Orificio – Br. N.G. 4040
6	1	05443	Orificio – Br. N.G. 4030
7	1	05449	Orificio – Br. L.P. 4040
8	1	05452	Orificio – Br. L.P. 4030
9	1	12366	Junta – Venturi
10			
11			
<p>4040 Gas natural — o — 2</p> <p>① — ③ — ⑤ — ⑨ — ②</p>			
<p>4040 Gas natural — o — 2</p> <p>① — ③ — ⑥ — ⑨ — ②</p>			
<p>4040 Propano — o — 2</p> <p>① — ③ — ⑦ — ⑨ — ②</p>			
<p>4040 Propano — o — 2</p> <p>① — ③ — ⑧ — ⑨ — ②</p>			



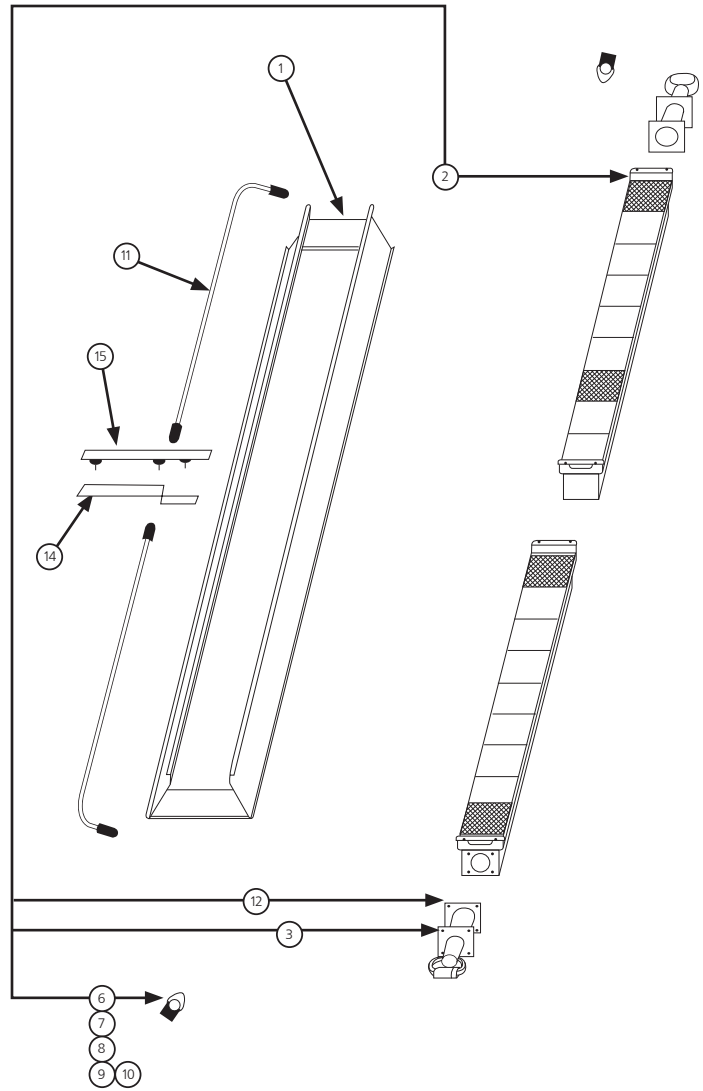
Lista de repuestos para modelos de calentadores de serie 8000 / Menos control

N.º de artículo	Cantidad necesaria	N.º de inventario	Descripción
1	1	00442 A	Conjunto de reflector
2	1	02524 A	Conjunto de quemador
3	1	03421 P	Venturi
4			
5	1	05429	Orificio – Br. N.G. 8070
6	1	05430	Orificio – Br. N.G. 8060
7	1	05430	Orificio – Br. N.G. 8050
8	1	05443	Orificio – Br. L.P. 8060
9	1	05445	Orificio – Br. L.P. 8050
10	1	12366	Junta – Venturi
11			
12			
<p>8070 Gas natural — o — 2</p> <p>① — ③ — ⑤ — ⑩ — ②</p>			
<p>8060 Gas natural — o — 2</p> <p>① — ③ — ⑥ — ⑩ — ②</p>			
<p>8050 Gas natural — o — 2</p> <p>① — ③ — ⑦ — ⑩ — ②</p>			
<p>8060 Propano — o — 2</p> <p>① — ③ — ⑧ — ⑩ — ②</p>			
<p>8050 Propano — o — 2</p> <p>① — ③ — ⑨ — ⑩ — ②</p>			



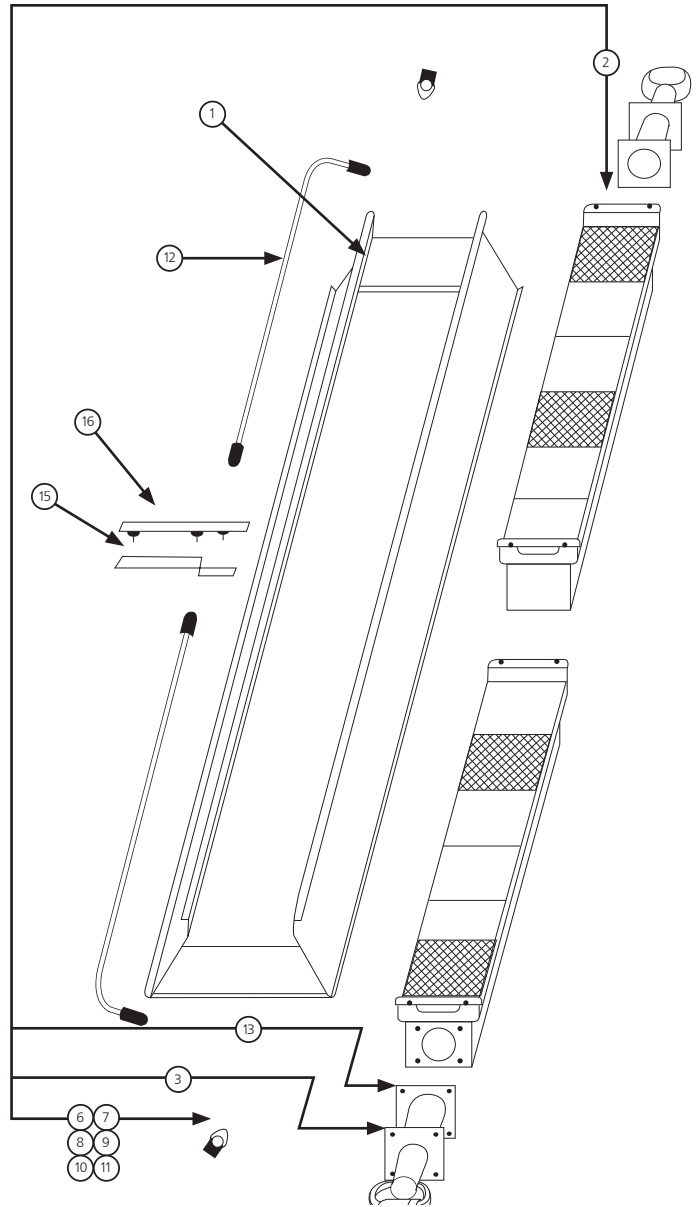
Lista de repuestos para modelos de calentadores de serie 9000 / Menos control

N.º de artículo	Cantidad necesaria	N.º de inventario	Descripción
1	1	00444 A	Conjunto de reflector
2	2	02694	Conjunto de quemador
3	2	03421 P	Venturi
4			
5			
6	2	05429	Orificio – Br. N.G. 9140
7	2	05430	Orificio – Br. N.G. 9120
8	2	05430	Orificio – Br. N.G. 9100
9	2	05443	Orificio – Br. L.P. 9120
10	2	05445	Orificio – Br. L.P. 9100
11	2	06396	Conjunto del colector
12	2	12366	Junta – Venturi
13			
14	1	14639	Soporte del asiento central
15	1	11381	Conjunto de soporte central
16			
17			
9140 Gas natural			
①	③	⑥	⑪
⑫	⑭	⑮	②
9120 Gas natural			
①	③	⑦	⑪
⑫	⑭	⑮	②
9100 Gas natural			
①	③	⑧	⑪
⑫	⑭	⑮	②
9120 Propano			
①	③	⑨	⑪
⑫	⑭	⑮	②
9100 Propano			
①	③	⑩	⑪
⑫	⑭	⑮	②



Lista de repuestos para modelos de calentadores de serie 9100S / Menos control

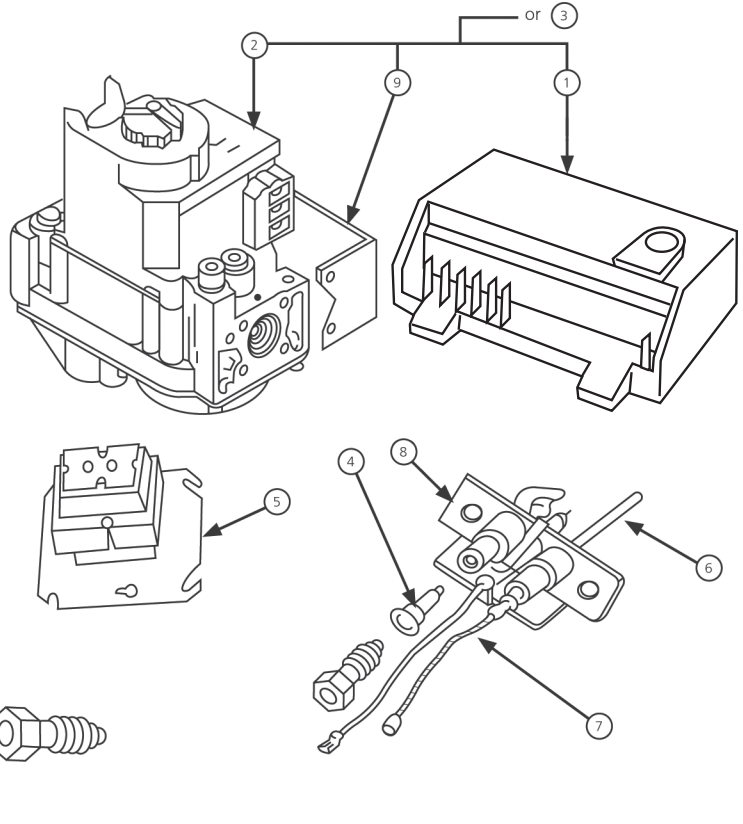
N.º de artículo	Cantidad necesaria	N.º de inventario	Descripción				
1	1	00443 A	Conjunto de reflector				
2	2	02508 A	Conjunto de quemador				
3	2	03421 P	Venturi				
4							
5							
6	2	05431	Orificio – Br. N.G. 9100S				
7	2	05432	Orificio – Br. N.G. 9090				
8	2	05437	Orificio – Br. N.G. 9080				
9	2	05446	Orificio – Br. L.P. 9100S				
10	2	05447	Orificio – Br. L.P. 9090				
11	2	05449	Orificio – Br. L.P. 9080				
12	2	06398	Conjunto del colector				
13	2	12366	Junta – Venturi				
14							
15	1	14639	Soporte del asiento central				
16	1	11381	Conjunto de soporte central				
9100S Gas natural							
1	3	6	12	13	15	16	2
9090 Gas natural							
1	3	7	12	13	15	16	2
9080 Gas natural							
1	3	8	12	13	15	16	2
9100S Propano							
1	3	9	12	13	15	16	2
9090 Propano							
1	3	10	12	13	15	16	2
9080 Propano							
1	3	11	12	13	15	16	2



PARA HEAT STAR DE SERIE 4000, 8000

LISTA DE REPUESTOS PARA EL SUFIDO DEL SISTEMA DE CONTROL NDSP-5

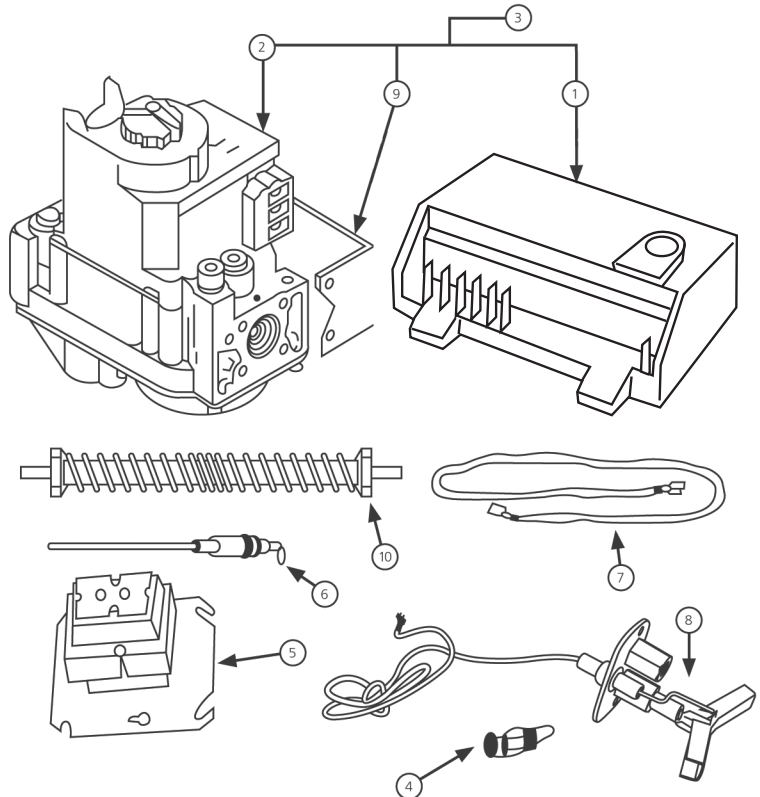
N.º de artículo	Cantidad necesaria	N.º de inventario	Descripción
1	1	00061	Módulo de encendido, Honeywell, S8600C
2	1	00037	Válvula de gas DSP-5/VR8204A2001/SWC
3	1	00228	Conj. De control NDSP-5
4	1	05573	Orificio para el piloto GN
5	1	08353	Transformador 40 VA
6	1	09374	Sonda t/c 1 12,7/81,28 cm (5/32") de largo
7	1	09375	Cable para sondas 4000, 8000, 9000 hrs.
8	1	11403	Conj. De quemador del piloto
9	1	14615	Montaje del soporte A5,745RS, I & Hon.V.
10	1	16425	Tubo del piloto flex c/acoples



PARA HEAT STAR DE SERIE 9000, 9000S

LISTA DE REPUESTOS PARA EL SUFIDO DEL SISTEMA DE CONTROL NDSP-5

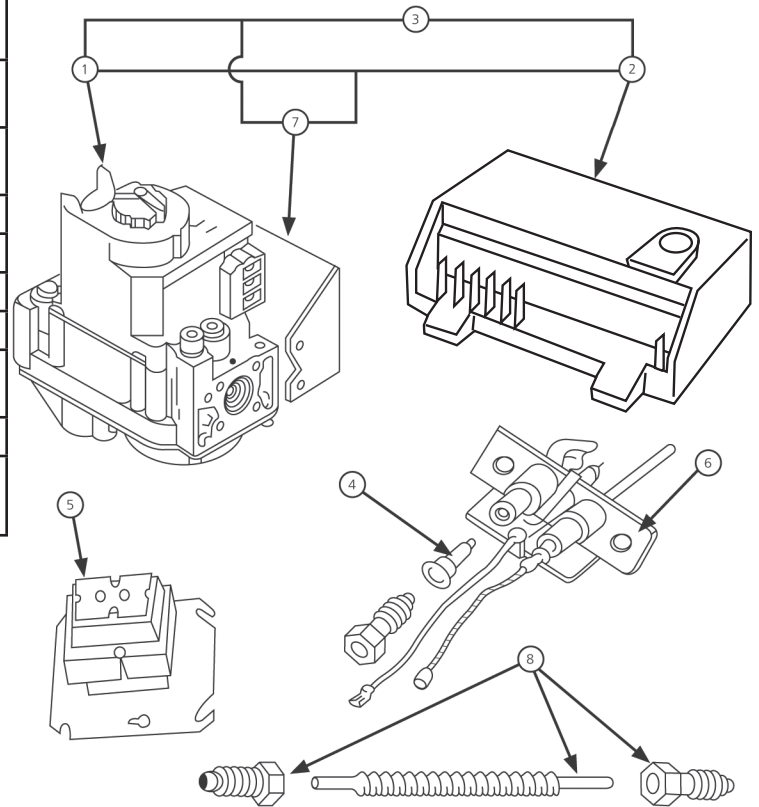
N.º de artículo	Cantidad necesaria	N.º de inventario	Descripción
1	1	00061	Módulo de encendido, Honeywell, S8600C
2	1	00037	Válvula de gas DSP-5/VR8204A2001/SWC
3	1	00228	Conj. De control NDSP-5
4	1	05383	Orificio para el piloto – GN
5	1	08353	Transformador 40 VA
6	1	09374	Sonda t/c 1 12,7/81,28 cm (5/32") de largo
7	1	09375	Cable para sondas 4000, 8000, 9000 HTRS.
8	1	11385	Conj. De quemador del piloto
9	1	14615	Montaje del soporte A5,745RS, I & Hon.V.
10	1	16425	Tubo del piloto flex c/acoples



PARA HEAT STAR DE SERIE 4000, 8000

LISTA DE REPUESTOS PARA EL SUFIDO DEL SISTEMA DE CONTROL LA5

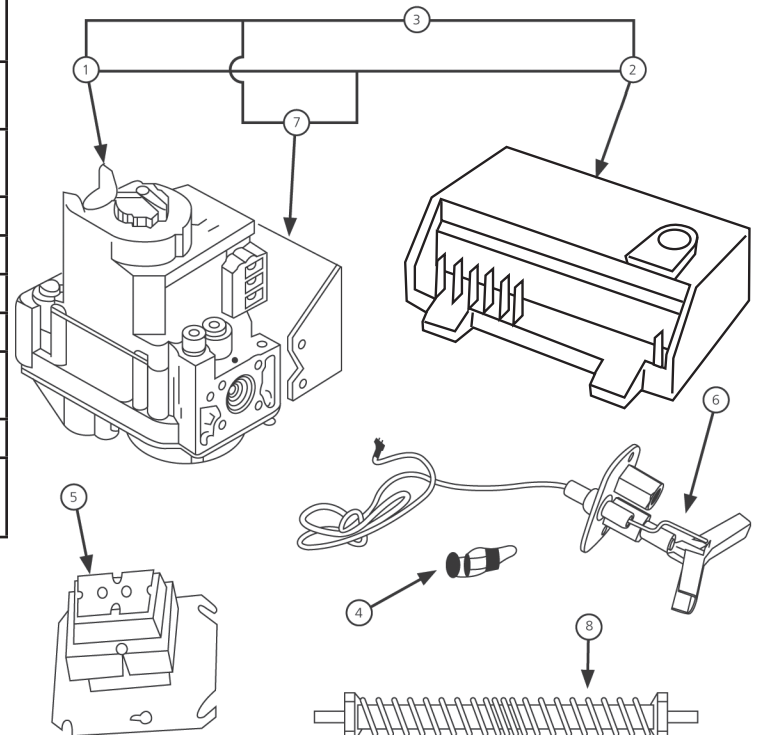
N.º de artículo	Cantidad necesaria	N.º de inventario	Descripción
1	1	00036	Válvula de gas A5/ VR8204A2092/11" WC
2	1	00039	Módulo de encendido Honeywell S8600M
3	1	00329	Conj. De control LA5
4	1	05577	Orificio para el piloto - LP
5	1	08353	Transformador 40 VA
6	1	11407	Conj. De quemador del piloto
7	1	14615	Montaje del soporte A5, 745RS. I. & Hon.V.
8	1	16425	Tubo del piloto flex c/acoples



PARA HEAT STAR DE SERIE 9000, 9000S

LISTA DE REPUESTOS PARA EL SUFIDO DEL SISTEMA DE CONTROL LA5

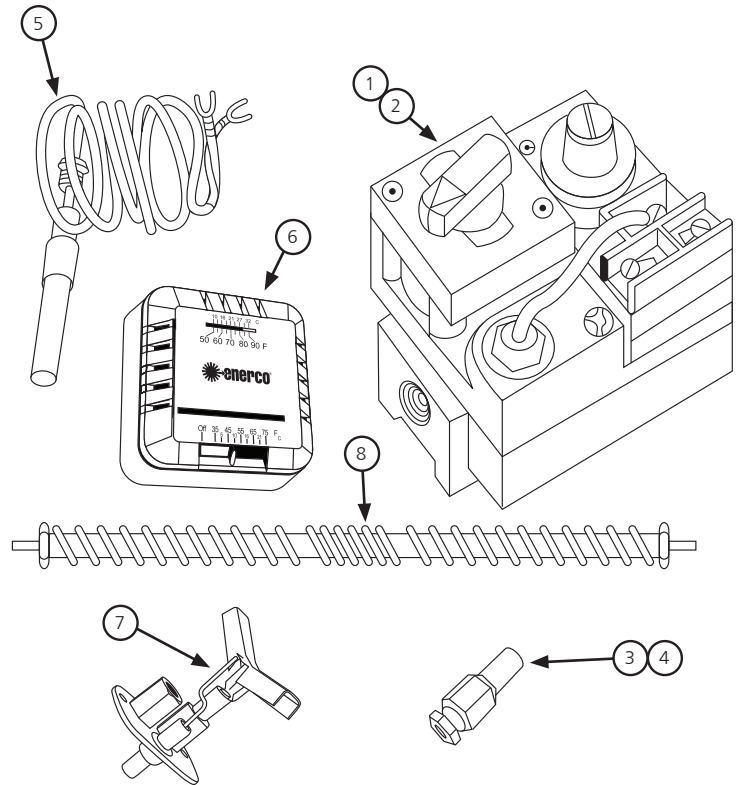
N.º de artículo	Cantidad necesaria	N.º de inventario	Descripción
1	1	00036	Válvula de gas A5/ VR8204A2092/11" WC
2	1	00062	Módulo de encendido Honeywell S8600M
3	1	00329	Conj. De control LA5
4	1	05384	Orificio para el piloto - LP
5	1	08353	Transformador 40 VA
6	1	11385	Conj. De quemador del piloto
7	1	14615	Montaje del soporte A5, 745RS. I. & Hon.V.
8	1	16425	Tubo del piloto flex c/acoples



PARA HEAT STAR DE SERIE 9000, 9000S

LISTA DE REPUESTOS PARA EL SUFIDO DEL SISTEMA DE CONTROL NPP, LPP

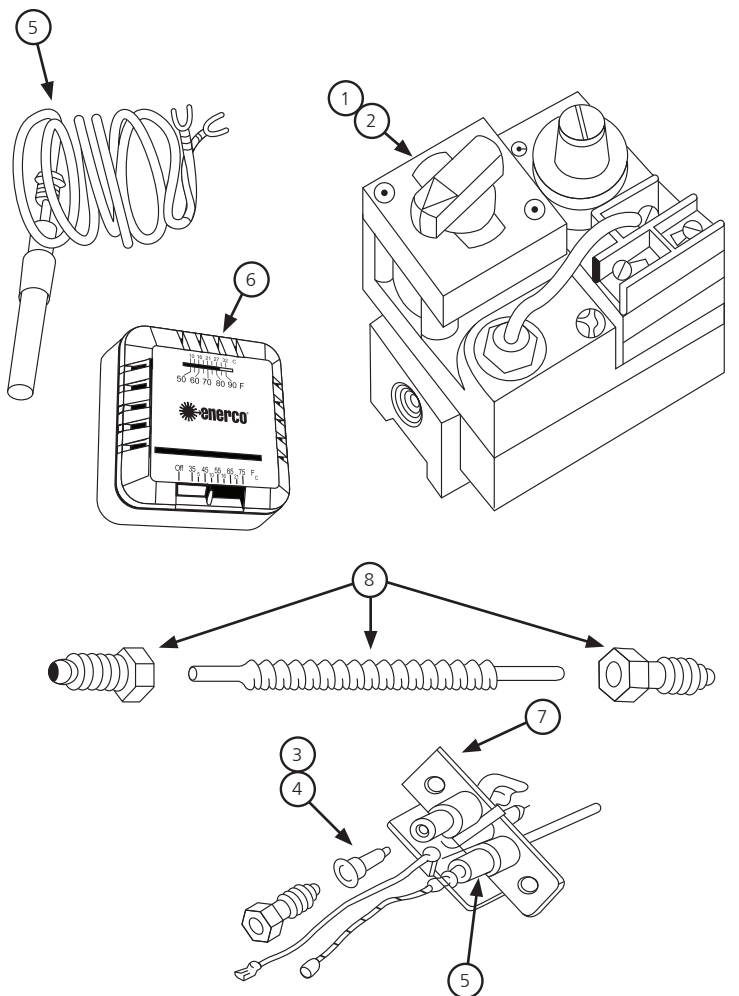
N.º de artículo	Cantidad necesaria	N.º de inventario	Descripción
1	1	00024	Válvula de gas combinada (PP) GN 1/2x1/2 NPT
2	1	00025	Válvula de gas combinada (PP) LP 1/2x1/2 NPT
3	1	05384	Orificio para el piloto LP
4	1	05383	Orificio para el piloto GN
5	1	09360	Termocupla PP Honeywell
6	1	10367	Termostato "PP" Heatstar
7	1	11385	Quemador del piloto-9000HTR
8	1	16425	Tubo del piloto flex con acoples
			NPP ① ④ ⑤ ⑥ ⑦ ⑧
			LPP ② ③ ⑤ ⑥ ⑦ ⑧



PARA HEAT STAR DE SERIE 4000, 8000

LISTA DE REPUESTOS PARA EL SUFIDO DEL SISTEMA DE CONTROL NPP, LPP

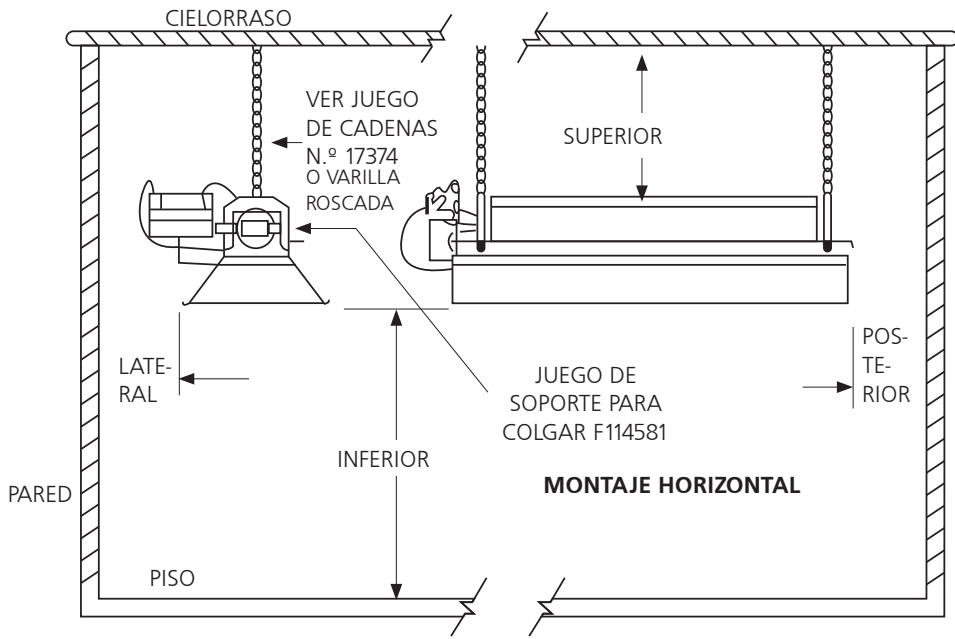
N.º de artículo	Cantidad necesaria	N.º de inventario	Descripción
1	1	00024	Válvula de gas combinada (PP) GN 1/2x1/2 NPT
2	1	00025	Válvula de gas combinada (PP) LP 1/2x1/2 NPT
3	1	05577	Orificio para el piloto LP
4	1	05573	Orificio para el piloto GN
5	1	09360	Termocupla PP Honeywell
6	1	10367	Termostato "PP" Heatstar
7	1	11405	Piloto-PP-4K, 8K HTR GN
7	1	11408	Piloto-PP-4K, 8K HTR LP
8	1	16425	Tubo del piloto flex con acoples
			NPP ① ④ ⑤ ⑥ ⑦ ⑧
			LPP ② ③ ⑤ ⑥ ⑦ ⑧



NOTA: 1 – AL HACER UN PEDIDO DE REPUESTOS PROPORCIONE SIEMPRE EL N.º DE MODELO, N.º DE INVENTARIO, N.º DE SERIE Y TIPO DE CALENTADOR O GAS UTILIZADO.

2 – AL DESARMAR LAS PIEZAS DEL CALENTADOR PARA SU REPARACIÓN, PRESTE ATENCIÓN A LA POSICIÓN DE LAS PIEZAS, Y LUEGO INVIERTA EL PROCEDIMIENTO CUANDO LAS ENSAMBLE.

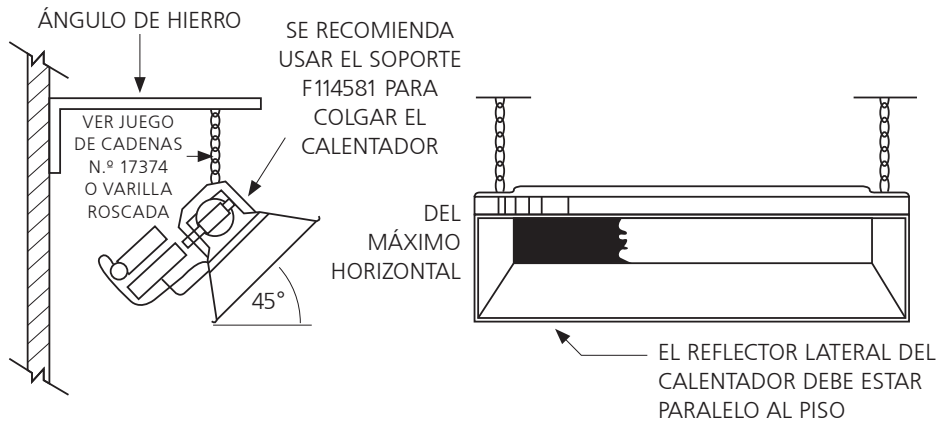
FIGURA 4 DISTANCIA A COMBUSTIBLES



LEA LAS INSTRUCCIONES DE INSTALACIÓN PARA OBTENER INFORMACIÓN DETALLADA SOBRE LAS DISTANCIAS

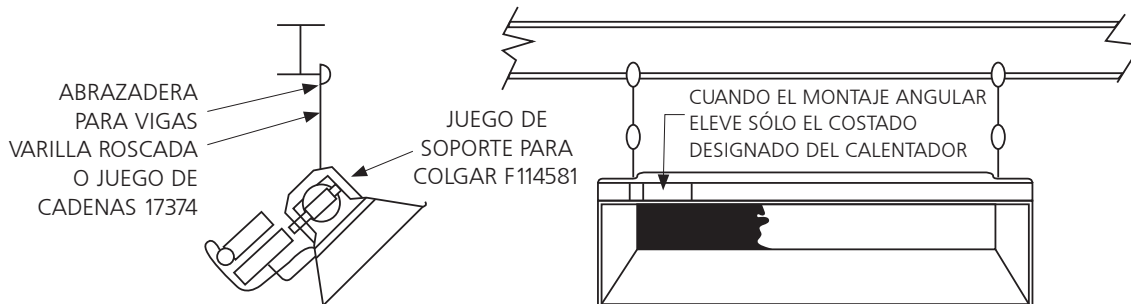
FIGURA 5 MONTAJE

MONTAJE TÍPICO PARA PAREDES



MONTAJE TÍPICO PARA VIGAS

MÉTODO SUGERIDO PARA EL COLGADO
MODELOS: 4000, 8000, 9000, MH40



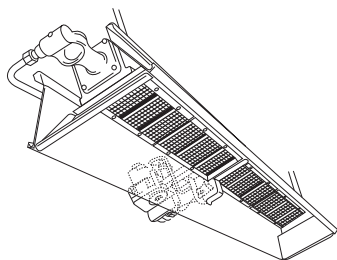
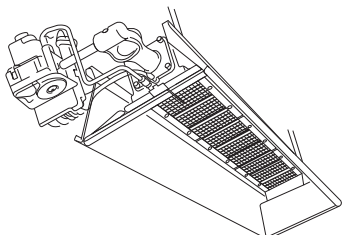
INSTRUCCIONES DE USO Y MANUAL DEL USUARIO

Calentadores infrarrojos de alta intensidad HEATSTAR

MODELOS

HS4030 HS8070 HS9100
HS4040 HS9080 HS9120
HS8050 HS9090 HS9140
HS8060 HS9100S

LEA CUIDADOSAMENTE LAS INSTRUCCIONES: Lea y siga todas las instrucciones. Conserve estas instrucciones en un lugar seguro para futura referencia. No permita que nadie que no haya leído estas instrucciones arme, encienda, ajuste o use el calentador.



⚠ ADVERTENCIA: USE SOLAMENTE REPUESTOS DEL FABRICANTE. EL USO DE CUALQUIER OTRA PIEZA PODRÍA CAUSAR HERIDAS O LA MUERTE. LOS REPUESTOS ESTÁN DISPONIBLES ÚNICAMENTE EN LA FÁBRICA Y DEBEN SER INSTALADOS POR UNA AGENCIA DE SERVICIO CALIFICADA.

INFORMACIÓN PARA PEDIR REPUESTOS:

COMPRAS: Puede comprar accesorios en cualquier distribuidor local de Mr. Heater/Heatstar o directamente de la fábrica.

SI DESEA OBTENER INFORMACIÓN ACERCA DE REPARACIONES

Llame sin cargo al 800-251-0001 • www.enerco-mrheater.com

Nuestro horario de trabajo es de 8:30 a. m. a 5:00 p. m., hora del este, de lunes a viernes.

Envíe un correo electrónico a: techservice@enerco-mrheater.com

Incluya el número de modelo, la fecha de compra y la descripción del problema en todas sus comunicaciones.

GARANTÍA LIMITADA

La compañía da garantías de que este producto está libre de imperfecciones materiales y de fabricación, bajo condiciones de uso normales y adecuadas de acuerdo con las instrucciones de la Compañía, por un período de un año a partir de la fecha de entrega al comprador. La Compañía, según decida, reparará o reemplazará los productos que el comprador devuelva a la fábrica, con transportación prepagada dentro del mencionado período de un año y que la Compañía determine que presentan imperfecciones materiales o de fabricación.

Garantía prorrateada de 10 años sólo para el conjunto del quemador.

Si alguna de las piezas está dañada o si le falta alguna, llame al Departamento de Asistencia Técnica al 800-251-0001.

Dirija sus reclamos de garantía al Departamento de Servicio a la siguiente dirección: Enerco Group, Inc., 4560 W. 160th St., Cleveland, Ohio 44135. Incluya su nombre, dirección y número telefónico en su comunicación, y los detalles relacionados con el reclamo. Además, infórmenos la fecha de la compra y el nombre y la dirección del proveedor de quien adquirió nuestro producto.

Lo anterior describe las responsabilidades de la Compañía en toda su extensión. No hay otras garantías, ni explícitas ni implícitas. Específicamente, no hay garantías acerca de la adecuación para un propósito particular y no hay garantías de comerciabilidad. En ningún caso la Compañía será responsable por demoras causadas por imperfecciones, por daños consecuentes ni por ningún otro cargo de gastos de ninguna naturaleza realizados sin su consentimiento escrito. El costo de reparación o reemplazo será la única compensación por cualquier incumplimiento de la garantía. No hay garantía ni se derivará garantía implícita alguna del proceso de comercialización ni de las prácticas comerciales comunes. Esta garantía no será válida para productos que hayan sido reparados o alterados fuera de la fábrica en cualquier sentido que a nuestro criterio afecte su estado o funcionamiento.

Algunos estados no permiten la exclusión o limitación de daños incidentales ni consecuentes, así que la limitación o exclusión anterior puede no tener validez en su caso. Esta Garantía le otorga derechos legales específicos, y usted puede tener otros derechos que varían de un estado a otro.

Enerco Group, Inc., se reserva el derecho de hacer cambios en cualquier momento, sin previo aviso, en los colores, especificaciones, accesorios, materiales y modelos.

REGISTRO DEL PRODUCTO: Gracias por su compra.
Inicie sesión en <http://www.egiregistration.com> para registrar su producto.

ENERCO GROUP, INC., 4560 W. 160TH ST., CLEVELAND, OHIO 44135 • 216-916-3000
Mr. Heater es una marca comercial registrada de Enerco Group, Inc.
© 2008, Enerco Group, Inc. Todos los derechos reservados.



ANSI Z83.19a-2011/CSA 2.35a-2011

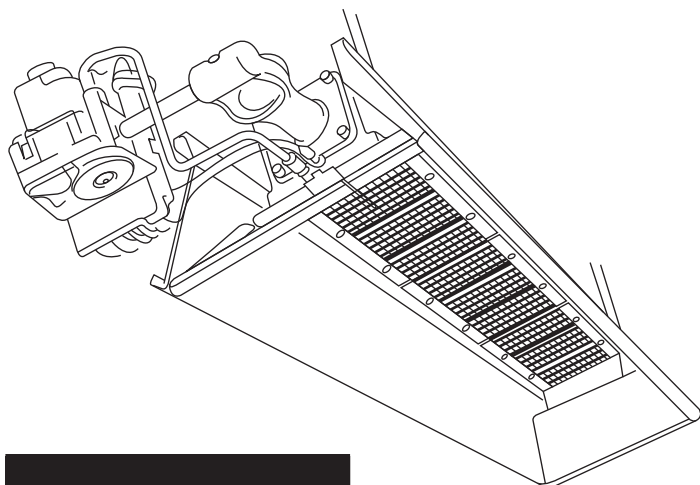
GUIDE D'UTILISATION ET MANUEL DU PROPRIÉTAIRE

Radiateurs infrarouges à forte intensité HEATSTAR

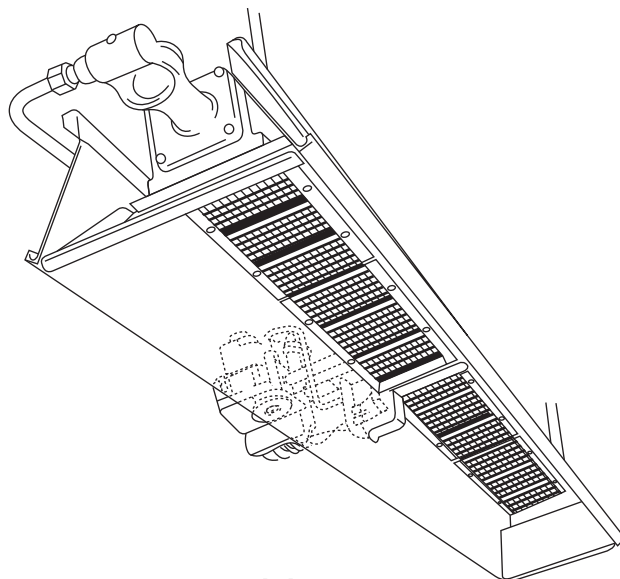
MODÈLE N° :

HS4030	HS8070	HS9100
HS4040	HS9080	HS9120
HS8050	HS9090	HS9140
HS8060	HS9100S	

LISEZ SOIGNEUSEMENT LES INSTRUCTIONS : Lisez et suivez toutes les instructions. Conservez ces instructions dans un endroit sécuritaire pour vous y référer ultérieurement. Ne permettez pas à quiconque n'ayant pas lu les présentes instructions d'assembler, d'allumer, de régler ou de faire fonctionner le radiateur.



Modèles 4000 et 8000



Modèles 9000

LANGUES

ANGLAIS

Pages E1 — E16

ESPAGNOL

Pages S1 — S16

▶ FRANÇAIS

Pages F1 — F16

AVERTISSEMENT : Si les informations contenues dans ce manuel ne sont pas suivies à la lettre, cela pourrait provoquer un incendie ou une explosion qui pourrait causer des dommages à la propriété, des blessures ou des pertes de vie.

- Ne pas entreposer ni utiliser d'essence ou d'autres vapeurs et liquides inflammables à proximité de cet appareil ou de tout autre appareil.
- QUE FAIRE SI VOUS PERCEVEZ UNE ODEUR DE GAZ
 - Ouvrez la fenêtre.
 - **NE PAS** tenter d'allumer l'appareil.
 - **NE PAS** utiliser les interrupteurs électriques.
 - **NE PAS** utiliser un téléphone dans votre maison. Appelez immédiatement votre fournisseur de gaz à partir du téléphone d'un voisin. Suivez les instructions du fournisseur de gaz.
 - **NE TOUCHEZ** à aucun interrupteur électrique ; n'utilisez aucun téléphone dans votre immeuble.
 - L'installation et l'entretien doivent être effectués par un installateur qualifié, une agence de service ou le fournisseur de gaz.
 - Si vous ne pouvez pas joindre votre fournisseur de gaz, appelez les pompiers.

Il s'agit d'un radiateur non ventilé alimenté au gaz naturel. Il utilise l'air (oxygène) de la zone dans laquelle il fonctionne. On doit assurer un apport suffisant d'air de combustion et de ventilation. Reportez-vous à la page 4.

AVERTISSEMENT : Une mauvaise installation, réglage, entretien ou maintenance peut causer des dommages matériels, des blessures ou la mort. Veuillez lire minutieusement les instructions d'installation, d'exploitation et d'entretien avant d'installer ou d'entretenir cet équipement. Pour de l'aide ou des renseignements supplémentaires, consultez un installateur qualifié, une agence de service ou le fournisseur de gaz.

AVERTISSEMENT : Lorsqu'il est utilisé sans apport d'air frais, le radiateur peut produire du MONOXYDE DE CARBONE, un gaz toxique inodore. OUVREZ UNE FENÊTRE D'ENVIRON CINQ CENTIMÈTRES POUR PERMETTRE UN APPORT D'AIR FRAIS LORSQUE VOUS UTILISEZ LE RADIATEUR.

AVERTISSEMENT : Ce radiateur est équipé d'un SYSTÈME DE VEILLEUSE DE SÉCURITÉ. NE PAS ALTÉRER LE SYSTÈME DE VEILLEUSE DE SÉCURITÉ.

AVERTISSEMENT : Si le radiateur s'éteint, veuillez assurer un apport d'air frais avant de le rallumer. Si le radiateur continue à s'éteindre, faites-le réparer. Maintenez la propreté du brûleur et des commandes. Ouvrez la porte pendant 5 minutes.

Maintenir les dégagements indiqués à la figure 1 ou sur la plaque signalétique du radiateur.

- NE PAS UTILISER D'ALLUMETTE OU D'AUTRE FLAMME POUR DÉTECTER LES FUITES.
- LA PRESSION D'ENTRÉE DU RADIATEUR NE DOIT PAS DÉPASSER 0,03 KG/CM² (½ L/PO²).

MISE EN GARDE :

Une intoxication au monoxyde de carbone peut entraîner la mort.

Intoxication au monoxyde de carbone :

Les premiers signes d'intoxication au monoxyde de carbone ressemblent aux symptômes de la grippe, c.-à-d. des maux de tête, des vertiges ou des nausées. Si vous avez ces symptômes, le radiateur ne fonctionne peut-être pas correctement. Allez respirer immédiatement de l'air frais ! Faites réparer le radiateur. Certaines personnes sont plus affectées par le monoxyde de carbone que d'autres. Il s'agit notamment des femmes enceintes, des personnes souffrant de problèmes cardiaques, de maladies pulmonaires ou d'anémie, les personnes sous l'influence de l'alcool et celles se trouvant à haute altitude.

MISE EN GARDE :

- Ne jamais connecter une valve de gaz ou un thermostat à la ligne de tension ou au transformateur.
- Si la couleur infrarouge de la grille devient terne lorsque l'appareil de chauffage du bâtiment fonctionne, consultez votre fournisseur de gaz pour ajuster les tailles de la tuyauterie d'alimentation en gaz.
- Ce radiateur est conçu uniquement pour une installation d'intérieur !

REMARQUE Le matériau du liant à joint utilisé dans ce dispositif de radiateur dégagera temporairement une odeur ou de la vapeur. Celles-ci disparaîtront dans les 20 minutes environ et cette situation ne se reproduira plus par la suite. Reportez-vous à la page 4 pour la ventilation.

L'ÉTAT DE CALIFORNIE EXIGE QUE L'AVERTISSEMENT SUIVANT SOIT FOURNI :

AVERTISSEMENT : Les sous-produits de combustion émis lors de l'utilisation de cet appareil contiennent du monoxyde de carbone, un produit chimique reconnu par l'état de Californie comme pouvant causer le cancer et des malformations congénitales (ou d'autres dommages au système reproducteur).

TABLE DES MATIÈRES

Informations générales	F3
Dégagements	F3
Alimentation en gaz.....	F3
Pression du gaz.....	F4
Système électrique.....	F5
Thermostat et emplacement	F5
Ventilation	F5
Fonctionnement.....	F5
Information sur le nettoyage.....	F5
Thermostat.....	F6
Dépannage.....	F7
Schéma de connexion du courant du détecteur de flamme pour les systèmes de rectification de la flamme.	F8
Pièces de rechange.....	F9
Pièces de rechange du système de contrôle.....	F12

1. INFORMATIONS GÉNÉRALES

- Votre radiateur est complètement assemblé et a été testé en usine pour vérifier le fonctionnement adéquat de ses systèmes de gaz et d'alimentation, tel qu'indiqué sur la plaque signalétique.
- Avant de procéder à l'installation, assurez-vous de vérifier que l'appareil n'est pas endommagé. La compagnie de transport qui a livré le radiateur doit être avisée de tout dommage avant l'installation. HEATSTAR enverra les pièces de rechange pour les pièces endommagées uniquement après avoir reçu un rapport d'inspection signé qui prouve la responsabilité de la compagnie de transport.
- Ne tentez pas de faire fonctionner le radiateur avec aucun autre gaz que celui indiqué sur la plaque signalétique du radiateur.
- L'installation du radiateur doit être conforme aux codes du bâtiment locaux ou, en l'absence de codes locaux, avec la norme du National Fuel Gas Code, ANSI Z223.1/NFPA54. Au Canada, reportez-vous à la norme CAN 1-B146.1.
- Un raccordement de jauge de test NPT de 0,12 cm (1/8 po) branché est situé sur le contrôle du gaz du radiateur ou un raccordement NPT est situé à l'extérieur du Cast Venturi.

2. DÉGAGEMENTS Dégagements minimums par rapport aux matériaux combustibles. (Reportez-vous à la figure 1)

Prévoyez un dégagement suffisant par rapport aux combustibles, figure 1, entre le côté de contrôle du radiateur pour l'entretien et des dégagements minimums au-dessus et sur les côtés, ainsi que pour l'alimentation en air de ventilation et de combustion.

Un dégagement minimum de 2,4 m (8 pi) à partir du sol dans les garages publics, conformément à la norme ANSI/NFPA no 88, version la plus récente, ou à la figure 1, selon la valeur la plus grande. Au Canada, reportez-vous aux Codes d'installation pour les appareils utilisant les combustibles gazeux CAN 1-B149.1.

Un dégagement minimum de 3 m (10 pi) à partir du bas du radiateur jusqu'à l'aile, ou l'enceinte du moteur, où les avions sont garés, et de 2,4 m (8 pi) à partir du sol dans les autres endroits du hangar, conformément à la norme ANSI/NFPA no 409, version la plus récente, ou à la figure 1 ; la valeur la plus grande doit être utilisée. Au Canada, reportez-vous à la norme ACC B149-1-M91.

⚠ AVERTISSEMENT : RESPECTER LES DÉGAGEMENTS ILLUSTRÉS À LA FIGURE 1 OU SUR LA PLAQUE SIGNALÉTIQUE DU RADIATEUR DANS LES INSTALLATIONS DE GARAGE OÙ LES VÉHICULES STATIONNÉS SONT DIRECTEMENT AU-DESSOUS DU RADIATEUR.

3. SUSPENSION

Le radiateur a quatre trous de montage, deux à chaque extrémité, pour fixer la tige ou l'équerre de fixations métalliques et doit être fixé d'une manière suffisamment sûre dans une position indépendante des conduites d'alimentation en gaz et en électricité. Reportez-vous aux figures 4, 5, et 7 aux pages 13 et 14 pour les suspensions recommandées.

4. ALIMENTATION EN GAZ

Assurer une alimentation en gaz adéquate à l'entrée nominale de chaque radiateur, à l'aide des normes d'installation américaines ANSI/223 sur les tuyaux de gaz et les appareils alimentés au gaz dans un bâtiment. Le tableau C-3 de la

brochure 1a/NFPA54 indique la capacité des tuyaux de différents diamètres et de différentes longueurs en pieds cubes par heure pour le gaz naturel avec une chute de pression de 0,76 cm (0,3 po) et une gravité de 0,60. Pour la capacité du gaz de pétrole liquéfié (GPL), reportez-vous aux tableaux C-3 et C-15 de la même brochure. Pour le raccordement recommandé du gaz au radiateur, reportez-vous à la figure no 5, page 15. Au Canada, reportez-vous aux normes CAN 1-B149.1 et CSA B63.

Si les conduites de gaz doivent être testées sous pression à l'air comprimé, débranchez chaque radiateur pour éviter d'endommager les contrôles et les capuchons de sortie. Après avoir rebranché tous les radiateurs, videz les conduites de gaz de leur air et vérifiez que les raccordements ne fuient pas en utilisant une solution savonneuse.

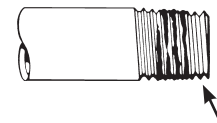
⚠ AVERTISSEMENT : NE PAS UTILISER D'ALLUMETTE OU D'AUTRE FLAMME POUR DÉTECTER LES FUITES.

5. EXIGENCES DE TUYAUTERIE

La tuyauterie installée doit se conformer aux codes et aux règlements locaux ou à la norme du National Fuel Gas Code, ANSI Z223.1 (NFPA 54), selon la norme qui a prépondérance. Lors de l'installation de la tuyauterie, les exigences suivantes doivent être prises en compte :

- Utilisez un tuyau noir neuf, bien alésé et exempt de copeaux.
- Appliquez une pâte à joint de bonne qualité sur tous les filetages mâles avant l'assemblage. Si le gaz PL est utilisé comme carburant, veillez à ce que la pâte à joint soit résistante au gaz propane. NE PAS UTILISER DE RUBAN DE TEFLON™.
- Avant l'installation, appliquez la pâte à joint sur tous les filetages mâles, tel qu'illustré à la figure 1.

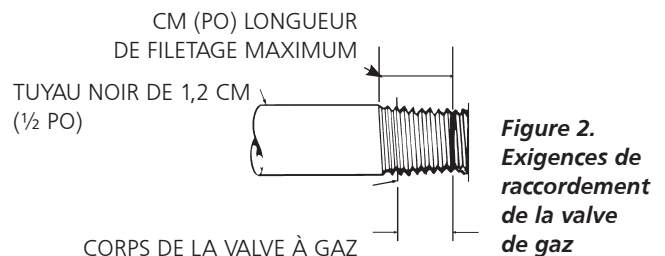
UTILISEZ UNE QUANTITÉ MODÉRÉE DE PÂTE À JOINT



LAISSEZ LES DEUX PREMIERS FILETAGES DÉNUDÉS

Figure 1. Application de la pâte à joint

- Les filetages mâles sur les tuyaux destinés à être installés dans la valve de gaz doivent satisfaire aux exigences de la figure 2. Les filetages plus longs que ceux indiqués à la figure 2 peuvent provoquer une distorsion et un dysfonctionnement de la valve de gaz.
- Un collecteur de sédiments qui satisfait aux exigences normales de la figure 3 doit être installé sur la conduite de la valve de gaz.
- Une valve d'arrêt dédiée au radiateur doit être installée sur la conduite d'alimentation en gaz.



REMARQUE :

1. Utilisez uniquement une pâte à joint résistante aux gaz liquéfiés sur les installations de PL.
2. Les raccords illustrés ne sont pas inclus avec le radiateur.

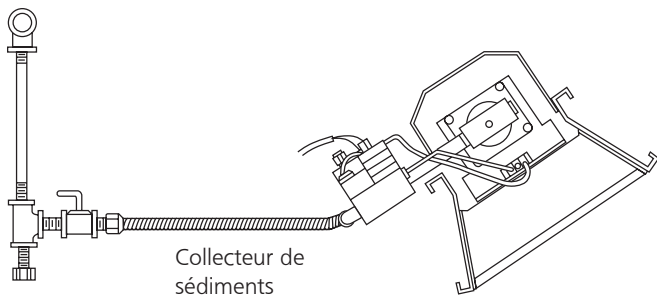


Figure 3. Installation normale de la tuyauterie

6. PRESSION DU GAZ

Lorsqu'une pression de gaz supérieure au maximum recommandé est maintenue à la conduite principale de gaz, un régulateur indépendant doit être installé en amont du radiateur. Reportez-vous à la figure 2 pour connaître la pression maximale autorisée en fonction du modèle et du type de gaz.

Voir la plaque signalétique du radiateur pour connaître la pression minimale d'alimentation en gaz « Aux fins d'ajustement de l'entrée ».

Sur une installation à plusieurs radiateurs, il est possible d'utiliser un régulateur de grande capacité ou un régulateur individuel pour chaque radiateur. Néanmoins, il est recommandé d'organiser le système de conduite de manière à ce qu'il forme une boucle complète. Communiquez avec votre représentant local ou l'usine pour connaître la phase de conception adéquate pour réduire la pression du gaz.

⚠ AVERTISSEMENT : NE PAS DÉPASSER 0,03 KG/CM² (½ L/PO²) DE PRESSION D'ENTRÉE POUR LES RADIATEURS, TEL QUE LE MONTRENT LES FIGURES 1 ET 2

FIGURE 1

NUMÉRO DE MODÈLE	DÉBIT BTU/H.		POSITION NORMALE DE MONTAGE	DÉGAGEMENTS PAR RAPPORT AUX COMBUSTIBLES			
	GAZ			DESSUS	CÔTÉS	ARRIÈRE	DESSOUS
	NATUREL	PROPANE					
4030**	30 000	30 000	Horiz.-45°	76 cm (30 po)	76 cm (30 po)	76 cm (30 po)	1,38 m (54 po)
4040*	40 000	40 000	Horiz.-45°	91 cm (34 po)	76 cm (30 po)	76 cm (30 po)	1,7 m (68 po)
8050**	50 000	50 000	Horiz.-45°	1,16 m (36 po)	76 cm (30 po)	76 cm (30 po)	2 m (78 po)
8060*	60 000	60 000	Horiz.-45°	1,02 m (40 po)	76 cm (30 po)	76 cm (30 po)	2,13 m (84 po)
8070**	70 000	–	Horiz.-45°	1,02 m (40 po)	76 cm (30 po)	76 cm (30 po)	2,13 m (84 po)
9080**	80 000	80 000	Horiz.-45°	1,16 m (46 po)	1,02 m (40 po)	1,02 m (40 po)	2,7 m (104 po)
9090**	90 000	90 000	Horiz.-45°	1,16 m (46 po)	1,16 m (46 po)	1,16 m (46 po)	2,9 m (114 po)
9100S*	100 000	100 000	Horiz.-45°	1,22 m (48 po)	1,16 m (46 po)	1,16 m (46 po)	3 m (118 po)
9100**	100 000	100 000	Horiz.-45°	1,12 m (44 po)	1,02 m (40 po)	1,02 m (40 po)	2,7 m (104 po)
9120*	120 000	120 000	Horiz.-45°	1,16 m (46 po)	1,16 m (46 po)	1,16 m (46 po)	2,9 m (114 po)
9140**	140 000	–	Horiz.-45°	1,16 m (46 po)	1,16 m (46 po)	1,16 m (46 po)	2,9 m (114 po)

*Seuls les modèles de radiateurs à haute intensité suivants sont vendus : 4040, 8060, 9100S et 9120

**Il est possible d'obtenir les autres numéros de modèle en utilisant les orifices supplémentaires inclus avec les radiateurs pour modifier la production de chaleur.

Les dégagements aux combustibles représentent une température de surface de 90 °F (32 °C) supérieure à la température ambiante. Les matériaux de construction avec tolérance à la chaleur basse peut être soumis à une dégradation à des températures inférieures. Il est de la responsabilité de l'installateur

7. SYSTÈME ÉLECTRIQUE

Tout le câblage externe doit être en conformité avec les codes électriques existants. Utilisez le schéma fourni avec le radiateur. Assurez-vous que les caractéristiques d'alimentation électrique correspondent à celles qui sont indiquées sur la plaque signalétique. L'appareil doit être relié à la terre conformément à la norme du National Electrical Code, ANSI/NFPA70, dernière révision. Au Canada, reportez-vous au Code canadien de l'électricité CSA C22.1

8. THERMOSTAT ET EMPLACEMENT

Assurez-vous que les caractéristiques électriques du thermostat correspondent à celles des contrôles du radiateur. Pour de meilleurs résultats, le thermostat devrait être installé à 1,5 m (5 pi) au-dessus du sol, où l'air peut circuler librement autour de l'appareil. NE PAS INSTALLER le thermostat directement sur le côté froid d'un mur, dans un débit d'air direct ou directement au-dessous du radiateur infrarouge.

9. VENTILATION

- Les espaces minimums d'apport et d'échappement d'air doivent prévoir au moins 11,3 m³/min (400 pi³/min) pour chaque 100 000 BTU, à l'exception que la zone d'infiltration peut être incluse dans la zone d'apport. Le ventilateur d'échappement doit être relié au thermostat du radiateur. Si un ventilateur autodébrayable d'échappement est utilisé, il doit être contrôlé par le thermostat ou l'humidostat.
- Si une ventilation naturelle (par gravité) est utilisée pour l'échappement, les espaces doivent être répartis au-dessus des radiateurs (de préférence au sommet du toit) et les zones d'ouverture ne doivent pas être inférieures à 0,20 m² (300 po²) pour chaque 100 000 BTU.

10. FONCTIONNEMENT

Après avoir installé le câblage électrique et la tuyauterie de gaz et avoir vidé les conduites de gaz menant aux radiateurs, reportez-vous à la plaque d'instruction de l'allumage sur le radiateur pour connaître la procédure adéquate d'allumage.

11. INFORMATION SUR LE NETTOYAGE

Soufflez à l'air comprimé le Venturi et le devant du brûleur (pression max. de 11 kg/cm² (25 l/po²)) ; nettoyez également les orifices (voir la figure 2 pour le calibre de perceuse adéquat). Pour obtenir des instructions détaillées d'entretien et de nettoyage, contactez votre représentant local ou l'usine.

⚠ AVERTISSEMENT : LE MATÉRIAU DE LIANT À JOINT UTILISÉ DANS CE DISPOSITIF DE RADIATEUR DÉGAGERA TEMPORAIREMENT UNE ODEUR OU DE LA VAPEUR. UTILISEZ LA VENTILATION (a OU b) ET CELLES-CI DISPARAÎTRONT DANS LES 20 MINUTES ENVIRON ET CETTE SITUATION NE SE REPRODUIRA PLUS PAR LA SUITE.

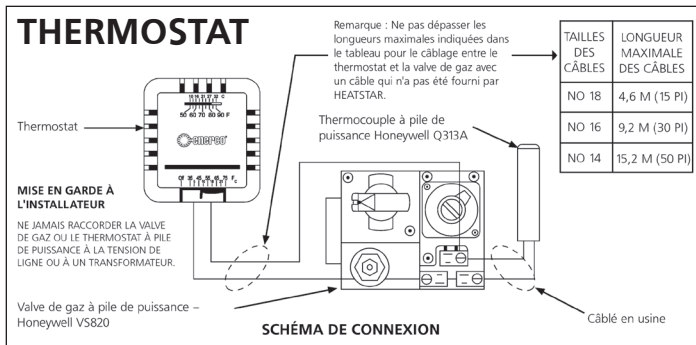
⚠ AVERTISSEMENT : NE PAS TENTER D'ALLUMER LA VEILLEUSE À LA MAIN SUR LES RADIATEURS ÉQUIPÉS D'UN ALLUMAGE AUTOMATIQUE PAR ÉTINCELLE.

⚠ AVERTISSEMENT : L'ÉTAT DE CALIFORNIE EXIGE QUE L'AVERTISSEMENT SUIVANT SOIT FOURNI : LES SOUS-PRODUITS DE COMBUSTION ÉMIS LORS DE L'UTILISATION DE CET APPAREIL CONTIENNENT DU MONOXYDE DE CARBONE, UN PRODUIT CHIMIQUE RECONNU PAR L'ÉTAT DE CALIFORNIE COMME POUVANT CAUSER LE CANCER ET DES MALFORMATIONS CONGÉNITALES (OU D'AUTRES DOMMAGES AU SYSTÈME REPRODUCTEUR).

⚠ REMARQUE : UTILISEZ LA DERNIÈRE ÉDITION DE TOUTES LES NORMES ANSI ET CANADIENNES.

FIGURE 2

MODÈLE NO	DÉBIT BTU/H.		PRESSION DE L'ALIMENTATION EN GAZ (COLONNE D'EAU)						TAILLE DE L'ORIFICE	
	GAZ		MIN.		MAX.		COLLECTEUR		NAT.	G.P.L.
	NATUREL	PROPANE	NAT.	G.P.L.	NAT.	G.P.L.	NAT.	G.P.L.		
4030	30 000	30 000	16,7 cm (6,6 po)	28 cm (11 po)	35,6 cm (14 po)	35,6 cm (14 po)	14,2 cm (5,6 po)	25,4 cm (10 po)	43	52
4040	40 000	40 000	17,2 cm (6,8 po)	28 cm (11 po)	35,6 cm (14 po)	35,6 cm (14 po)	14,7 cm (5,8 po)	25,4 cm (10 po)	37	49
8050	50 000	50 000	18 cm (7 po)	28 cm (11 po)	35,6 cm (14 po)	35,6 cm (14 po)	11 cm (4,3 po)	25,4 cm (10 po)	30	45
8060	60 000	60 000	18 cm (7 po)	28 cm (11 po)	35,6 cm (14 po)	35,6 cm (14 po)	14,7 cm (5,8 po)	25,4 cm (10 po)	30	43
8070	70 000	-	18 cm (7 po)	-	35,6 cm (14 po)	-	15,2 cm (6 po)	-	29	-
9080	80 000	80 000	18 cm (7 po)	28 cm (11 po)	35,6 cm (14 po)	35,6 cm (14 po)	14,7 cm (5,8 po)	25,4 cm (10 po)	37	49
9090	90 000	90 000	18 cm (7 po)	28 cm (11 po)	35,6 cm (14 po)	35,6 cm (14 po)	12,7 cm (5 po)	25,4 cm (10 po)	32	47
9100S	100 000	100 000	18 cm (7 po)	28 cm (11 po)	35,6 cm (14 po)	35,6 cm (14 po)	12,7 cm (5 po)	25,4 cm (10 po)	31	46
9100	100 000	100 000	18 cm (7 po)	28 cm (11 po)	35,6 cm (14 po)	35,6 cm (14 po)	11 cm (4,3 po)	25,4 cm (10 po)	30	45
9120	120 000	120 000	18 cm (7 po)	28 cm (11 po)	35,6 cm (14 po)	35,6 cm (14 po)	14,7 cm (5,8 po)	25,4 cm (10 po)	30	43
9140	140 000	-	18 cm (7 po)	-	35,6 cm (14 po)	-	14 cm (5,5 po)	-	29	-



12. PROCÉDURE DE DÉMARRAGE

OUVRIER LA VALVE OU LES VALVES DE GAZ.

Réglez le thermostat à la position OFF. Voir la figure 5. Si le bouton de contrôle de gaz manuel sur la valve de gaz n'est pas en position OFF, enfoncez partiellement le bouton et tournez-le à la position OFF. Voir la figure 6.

Attendez 5 minutes pour permettre au gaz qui s'est accumulé dans le brûleur principal de sortir (cela est particulièrement important après l'installation).

Tournez le bouton de contrôle de gaz manuel à la position PILOT.

Appuyez sur le bouton de contrôle de gaz manuel. À l'aide d'une allumette, allumez la veilleuse. Voir la figure 6. Maintenez le bouton pendant environ 30 secondes pour permettre à l'air se trouvant dans les conduites de gaz de passer à travers la veilleuse et, une fois que la veilleuse est allumée, laissez le thermocouple chauffer suffisamment pour activer la valve de sécurité dans une position ouverte.

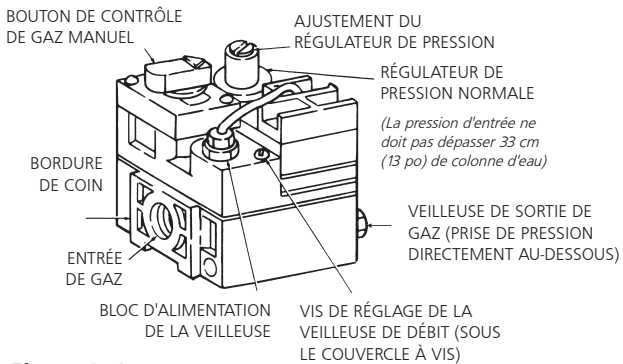


Figure 6. Composants de la valve de gaz

Relâchez le bouton de contrôle de gaz manuel et réglez-le à la position ON. Réajustez le thermostat à la température désirée.

REMARQUE :

Lors du démarrage initial de MR. HEATER, une odeur et, peut-être, un peu de vapeur se dégageront du radiateur. C'est le matériau du liant à joint qui émet cette odeur ou cette vapeur. Après environ 20 minutes, cette odeur disparaîtra et ne se reproduira plus.

13. MISE À L'ARRÊT

1. Réglez le thermostat à OFF.
2. Tournez le bouton de contrôle de gaz manuel sur la valve de gaz à la position PILOT.
3. Enfoncez partiellement le bouton et tournez-le à la position OFF.
4. Fermez les valves d'alimentation en gaz.

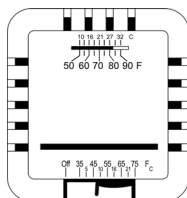


Figure 5. Contrôles du thermostat

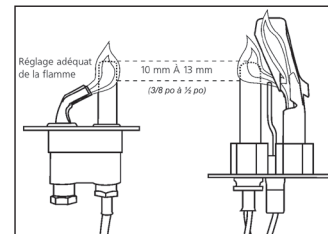
14. INSTRUCTIONS D'UTILISATION DE L'OPÉRATEUR

1. DÉPANNAGE

- a. Le tableau 4 énumère les problèmes du système qui pourraient survenir lors de l'utilisation ou de l'entretien de votre radiateur.
- b. Pour des renseignements supplémentaires, consultez le Bulletin technique Honeywell inclus dans la boîte du radiateur.
- c. Si les solutions énumérées ne permettent pas d'obtenir de résultat, appelez votre revendeur Mr. Heater ou le service à la clientèle de l'usine au 1-800-251-0001.

2. AJUSTEMENT DE LA FLAMME DE LA VEILLEUSE

La flamme de la veilleuse devrait recouvrir environ de 10 à 13 mm (3/8 à 1/2 po) de la pointe du thermocouple ou du générateur. Pour régler la flamme de la veilleuse :



- a. Retirez le couvercle de la vis d'ajustement de la veilleuse. Reportez-vous à la figure 8.
- b. Tourner la vis de réglage intérieure dans le sens horaire pour diminuer ou dans le sens antihoraire pour augmenter la flamme de la veilleuse.
- c. Toujours replacer le couvercle à vis après l'ajustement et serrer fermement pour assurer un bon fonctionnement.

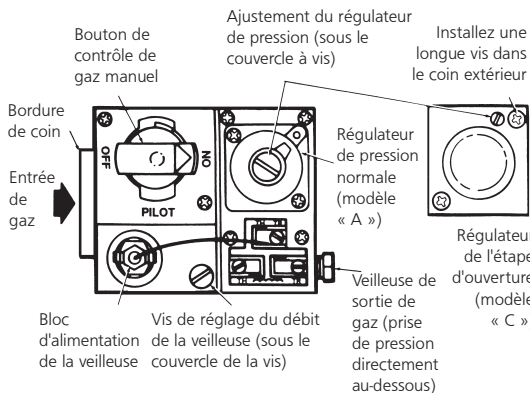


Figure 8. Vue du haut du contrôle du gaz de capacité standard

15. REMPLACEMENT DE L'UNITÉ DE LA VALVE DE GAZ

- a. Retirez les deux fils de l'unité de la valve de gaz sur la valve de contrôle du gaz portant la mention « PP ».
 - b. Dévissez la valve de gaz de la tuyauterie de gaz.
 - c. Rebranchez la valve de gaz et les fils de l'unité aux bornes « PP ».
- N'oubliez pas de laisser un fil du thermostat sur un terminal.

16. FRÉQUENCE DES CONTRÔLES DE L'OPÉRATEUR

Utilisation intermittente

Les appareils qui sont utilisés de façon saisonnière doivent être vérifiés avant la mise à l'arrêt et de nouveau avant la prochaine utilisation.

Environnement poussiéreux, humide ou corrosif. Étant donné que ces environnements peuvent détériorer plus rapidement le contrôle du gaz, le système doit être vérifié plus souvent.

Le contrôle du gaz doit être remplacé si :

- a. Il ne fonctionne pas correctement lors de la vérification ou du dépannage.
- b. Le bouton de contrôle du gaz peut difficilement être tourné ou enfoncé, ou s'il ne parvient pas à rebondir une fois relâché.

TABLEAU 4. TABLEAU DE DÉPANNAGE

Les différents symptômes d'un dysfonctionnement du système, les défauts possibles qui causent ces symptômes et les mesures correctives suggérées sont présentés ci-dessous sous forme d'un

tableau. Le tableau suppose qu'une pression de gaz adéquate est disponible pour le radiateur et que la procédure d'allumage correspond à celle indiquée sur la plaque fixée au radiateur.

SYMPTÔMES	CAUSES	SOLUTIONS
Le brûleur s'allume très lentement	L'orifice de la veilleuse est partiellement bloqué. La veilleuse est mal ajustée.	Réajuster la veilleuse Remplacer
Le brûleur s'allume très lentement. La couleur reste terne.	L'orifice de la veilleuse est partiellement bloqué.	Remplacer
Retour de flamme du brûleur (on entend un bruit de grondement lors du fonctionnement et la surface de la grille en céramique est sombre).	Faible pression de gaz Brûleur endommagé	Corriger la pression du conduit ou appeler votre fournisseur de gaz. Remplacer
Encrassement de la grille en céramique ou du brûleur (lorsque neuf ou après un nettoyage).	Vérifiez d'abord si l'orifice du brûleur est endommagé. Si l'orifice du brûleur n'est pas endommagé, vérifiez si le collecteur est endommagé.	Remplacer si endommagé Remplacer
La veilleuse ne peut pas être allumée.	L'orifice de la veilleuse est bloqué. Le robinet de gaz n'est pas en position. La vis de réglage de la veilleuse de débit de gaz est peut-être fermée.	Remplacer Le bouton de contrôle de gaz doit être réglé sur PILOT et maintenu enfoncé. Ouvrir et ajuster (voir figure 8)
La veilleuse s'allume puis s'éteint.	Thermocouple défectueux Contrôle défectueux	Remplacer Remplacer
La veilleuse reste allumée, mais le brûleur principal ne s'allume pas.	Fil desserré ou mal câblé Contrôle défectueux Orifice du brûleur bloqué	Serrer les connexions, vérifier le schéma de câblage Remplacer Nettoyer ou remplacer l'orifice
Ne s'allume pas.	L'alimentation principale en gaz est coupée. Air dans la conduite de gaz Les connexions de câbles sont desserrées. Les connexions de câbles sont sales.	Ouvrir les valves manuelles Vider la conduite de gaz Serrer les connexions de câbles Nettoyer les bornes et fixer les terminaux

UTILISATION EN HAUTE ALTITUDE

1. Veuillez contacter l'usine pour un kit détaillé de conversion pour une utilisation en haute altitude en fonction de vos besoins spécifiques. 1.1 Soyez prêt à répondre aux questions de l'usine concernant : le type de combustible de l'appareil proposé pour la conversion, la pression de gaz disponible sur le site et l'altitude précise du site.
2. « La conversion doit être faite par le représentant autorisé du fabricant, conformément aux exigences du fabricant et conformément aux exigences des autorités provinciales ou territoriales ayant compétence. »
3. Les kits de conversion pour une utilisation en haute altitude comprendront une plaque signalétique de haute altitude avec des données horodatées, les orifices ou brûleurs requis pour vos besoins spécifiques et des instructions d'installation supplémentaires.
4. Au Canada, les installations de radiateur de haute altitude doivent être conformes aux dispositions de construction applicables en vertu de la norme actuelle CAN1-2.17, appareils alimentés au gaz pour une utilisation en haute altitude.

SCHÉMA DE CONNEXION DU COURANT DU DÉTECTEUR DE FLAMME POUR LES SYSTÈMES DE RECTIFICATION DE FLAMME (DSP -5, A5)

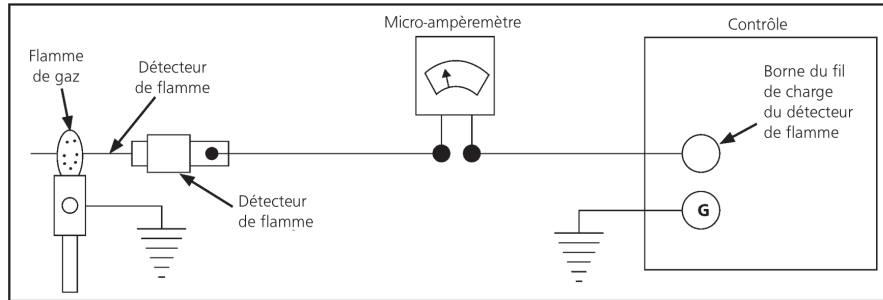


Figure 3 – Utilisation d'un micro-ampèremètre pour tester la zone de mise à la terre adéquate.

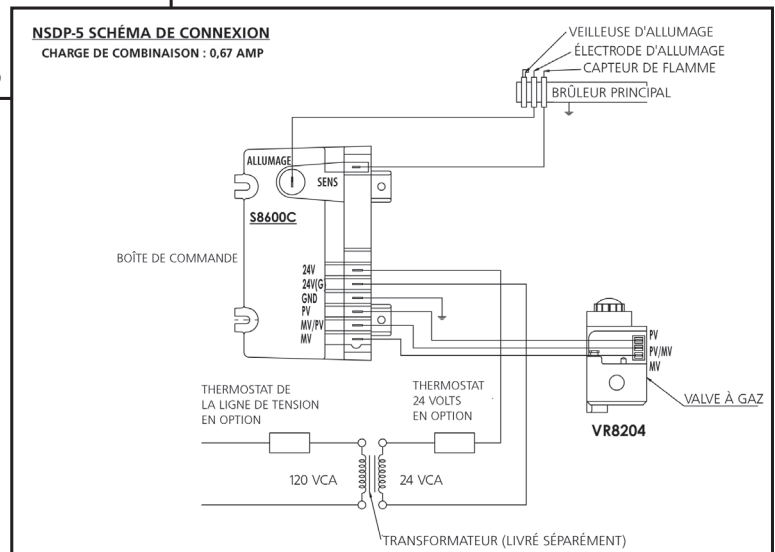
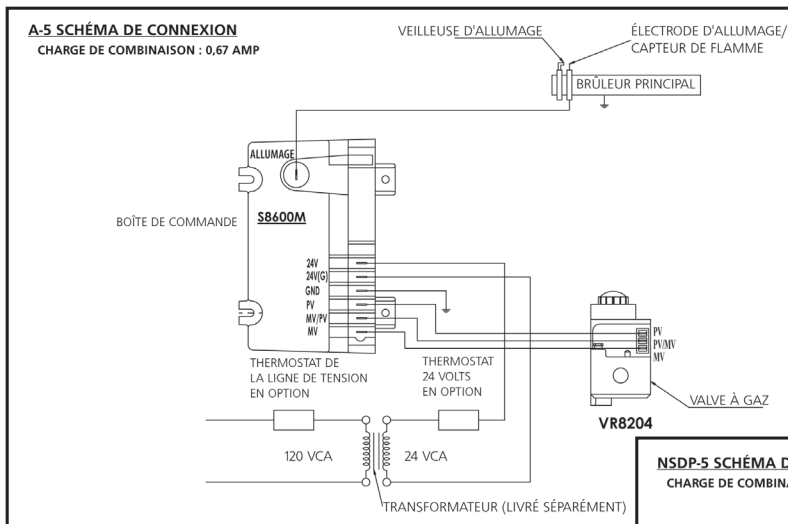
TESTER SI LA ZONE DE MISE À LA TERRE EST ADÉQUATE

Le ratio adéquat entre le détecteur de flamme et la zone de mise à la terre ne peut pas toujours être déterminé par un examen visuel ou une mesure physique. Un moyen certain de vérifier l'installation est de mesurer le courant du détecteur de flamme dans des conditions réelles d'allumage. Il est fortement recommandé que l'installateur mesure le débit de courant entre la tête de l'unité du détecteur de flamme et la borne sur la plaque de contrôle (voir figure 3). Mesurer le courant avec un microampèremètre de CC ou l'équivalent. Nous recommandons une sortie régulière de 0,9 microampère ou plus. Un débit constant de courant de cette grandeur dans des conditions

réelles d'allumage indique généralement que la mise à la terre de la veilleuse est adéquate.

REMARQUE :

1. Lire toutes les fiches techniques de contrôle fournies avec ce radiateur.
2. Vérifier si le détecteur de flamme entre en contact avec des pièces du radiateur. Le détecteur de flamme doit être exempt de tout contact avec le radiateur. Un contact avec le radiateur aura pour effet de court-circuiter le détecteur de flamme.
3. La porcelaine craquelée sur le détecteur de flamme aura pour effet de court-circuiter le capteur. Remplacer le détecteur de flamme.

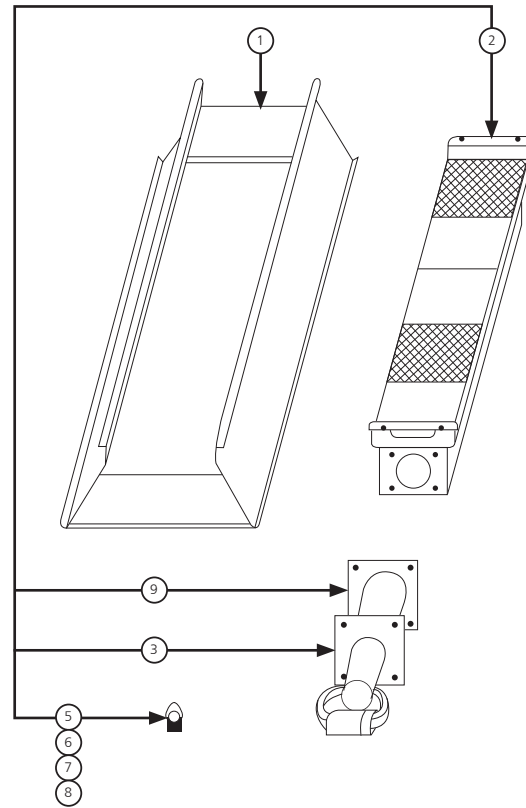


LES THERMOSTATS DE 24 VOLTS OU DE LIGNE SONT APPROUVÉS ET DOIVENT ÊTRE UTILISÉS À LA DISCRÉTION DES INSTALLATEURS

P/N-18651

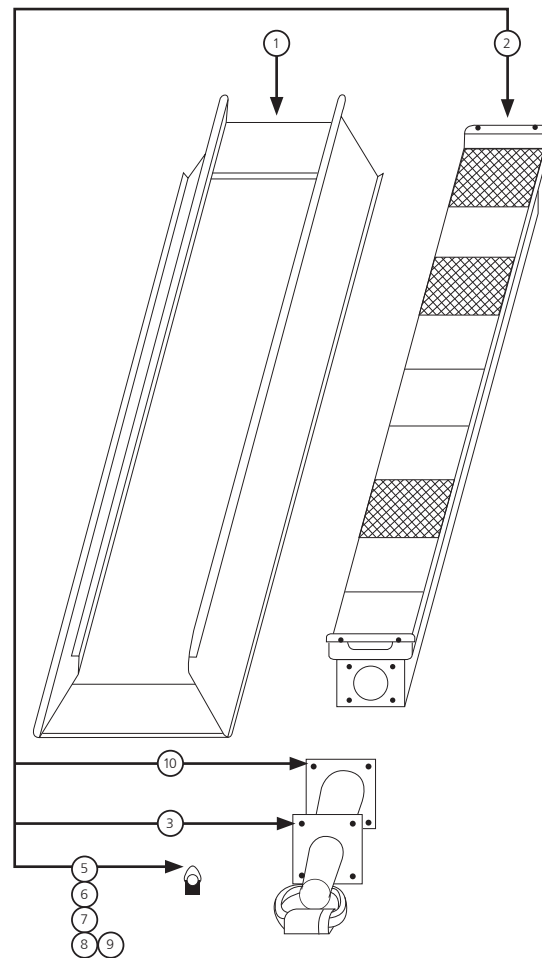
**Liste des pièces de rechange pour les radiateurs
Modèles des séries 4000 / Moins de contrôle**

Article no	No requis	No de stock	Description
1	1	00435 A	Réflecteur
2	1	02523 A	Brûleur
3	1	03397 P	Venturi
4			
5	1	05437	Orifice – Br. G.N. 4040
6	1	05443	Orifice – Br. G.N. 4030
7	1	05449	Orifice – Br. G.P.L. 4040
8	1	05452	Orifice – Br. G.P.L. 4030
9	1	12366	Joint – Venturi
10			
11			
<p>4040 Gaz nat. — ou 2</p> <p>① ③ ⑤ ⑨</p>			
<p>4040 Gaz nat. — ou 2</p> <p>① ③ ⑥ ⑨</p>			
<p>4040 Propane — ou 2</p> <p>① ③ ⑦ ⑨</p>			
<p>4040 Propane — ou 2</p> <p>① ③ ⑧ ⑨</p>			



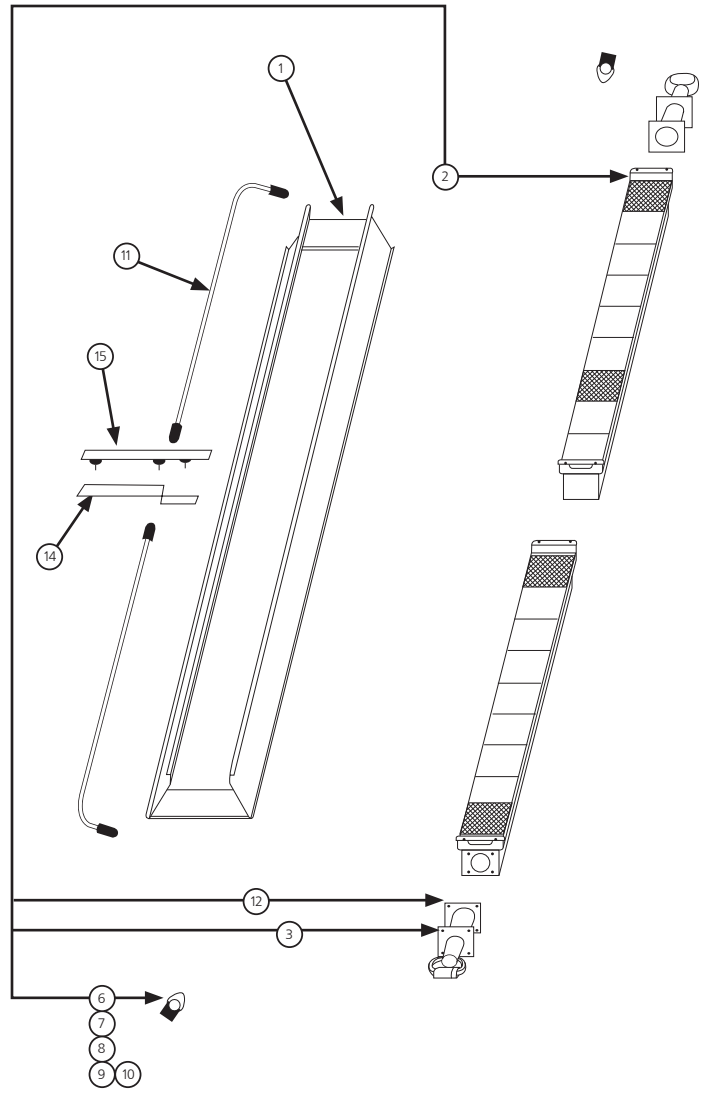
**Liste des pièces de rechange pour les radiateurs
Modèles des séries 8000 / Moins de contrôle**

Article no	No requis	No de stock	Description
1	1	00442 A	Réflecteur
2	1	02524 A	Brûleur
3	1	03421 P	Venturi
4			
5	1	05429	Orifice – Br. G.N. 8070
6	1	05430	Orifice – Br. G.N. 8060
7	1	05430	Orifice – Br. G.N. 8050
8	1	05443	Orifice – Br. G.P.L. 8060
9	1	05445	Orifice – Br. G.P.L. 8050
10	1	12366	Joint – Venturi
11			
12			
<p>8070 Gaz nat. — ou 2</p> <p>① ③ ⑤ ⑩</p>			
<p>8060 Gaz nat. — ou 2</p> <p>① ③ ⑥ ⑩</p>			
<p>8050 Gaz nat. — ou 2</p> <p>① ③ ⑦ ⑩</p>			
<p>8060 Propane — ou 2</p> <p>① ③ ⑧ ⑩</p>			
<p>8050 Propane — ou 2</p> <p>① ③ ⑨ ⑩</p>			



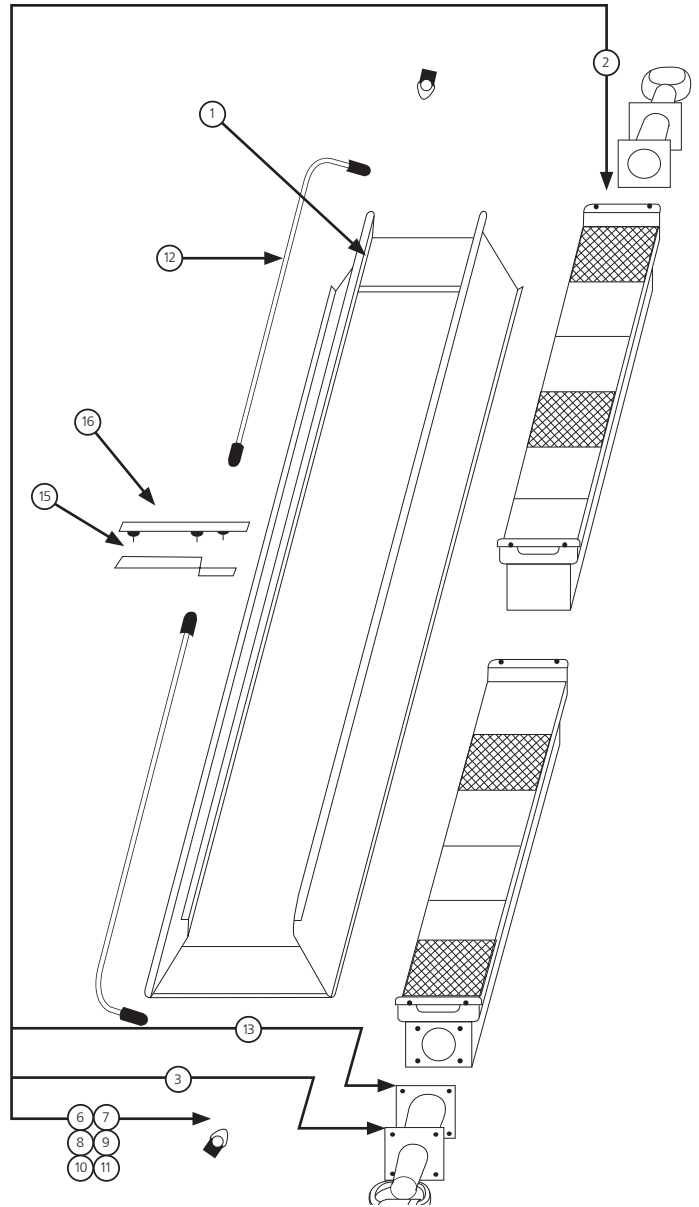
**Liste des pièces de rechange pour les radiateurs
Modèles des séries 9000 / Moins de contrôle**

Article no	No requis	No de stock	Description
1	1	00444 A	Réflecteur
2	2	02694	Brûleur
3	2	03421 P	Venturi
4			
5			
6	2	05429	Orifice – Br. G.N. 9140
7	2	05430	Orifice – Br. G.N. 9120
8	2	05430	Orifice – Br. G.N. 9100
9	2	05443	Orifice – Br. G.P.L. 9120
10	2	05445	Orifice – Br. G.P.L. 9100
11	2	06396	Collecteur
12	2	12366	Joint – Venturi
13			
14	1	14639	Support de centre de selle
15	1	11381	Support central
16			
17			
9140 Gaz nat.			
①	③	⑥	⑪
⑫	⑭	⑮	②
9120 Gaz nat.			
①	③	⑦	⑪
⑫	⑭	⑮	②
9100 Gaz nat.			
①	③	⑧	⑪
⑫	⑭	⑮	②
9120 Propane			
①	③	⑨	⑪
⑫	⑭	⑮	②
9100 Propane			
①	③	⑩	⑪
⑫	⑭	⑮	②



**Liste des pièces de rechange pour les radiateurs
Modèles des séries 9100S / Moins de contrôle**

Article no	No requis	No de stock	Description
1	1	00443 A	Réflecteur
2	2	02508 A	Brûleur
3	2	03421 P	Venturi
4			
5			
6	2	05431	Orifice – Br. G.N. 9100S
7	2	05432	Orifice – Br. G.N. 9090
8	2	05437	Orifice – Br. G.N. 9080
9	2	05446	Orifice – Br. G.P.L. 9100S
10	2	05447	Orifice – Br. G.P.L. 9090
11	2	05449	Orifice – Br. G.P.L. 9080
12	2	06398	Collecteur
13	2	12366	Joint – Venturi
14			
15	1	14639	Support de centre de selle
16	1	11381	Support central
9100S Gaz nat.			
①	③	⑥ ⑫ ⑬ ⑮ ⑯	ou ②
9090 Gaz nat.			
①	③	⑦ ⑫ ⑬ ⑮ ⑯	ou ②
9080 Gaz nat.			
①	③	⑧ ⑫ ⑬ ⑮ ⑯	ou ②
9100S Propane			
①	③	⑨ ⑫ ⑬ ⑮ ⑯	ou ②
9090 Propane			
①	③	⑩ ⑫ ⑬ ⑮ ⑯	ou ②
9080 Propane			
①	③	⑪ ⑫ ⑬ ⑮ ⑯	ou ②



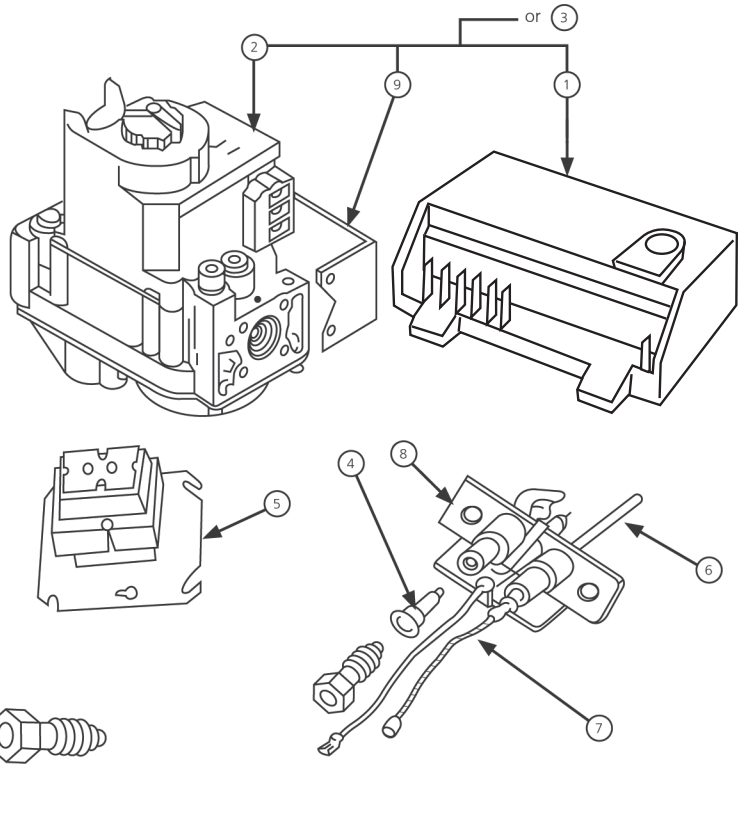
POUR LES SÉRIES HEATSTAR 4000, 8000

LISTE DES PIÈCES DE RECHANGE POUR LE SYSTÈME DE CONTRÔLE DE SUFFIXE NDSP-5

Article no	No requis	No de stock	Description
1	1	00061	Module d'allumage Honeywell 58600c
2	1	00037	Valve à gaz DSP-5/VR8204A2001/SWC
3	1	00228	Ensemble de contrôle NDSP-5
4	1	05573	Orifice de la veilleuse G.N.
5	1	08353	Transformateur 40va
6	1	09374	Sonde du t/c longue de 30 mm (1 5/32 po)
7	1	09375	Fil de sonde des appareils 4000, 8000, 9000.
8	1	11403	Veilleuse d'allumage
9	1	14615	Support de montage a5, 745rs, l. et Hon.V.
10	1	16425	Tuyau flexible de la veilleuse avec raccords

NDSP-5 ou 2

1
2
4
5
6
7
8
9
10



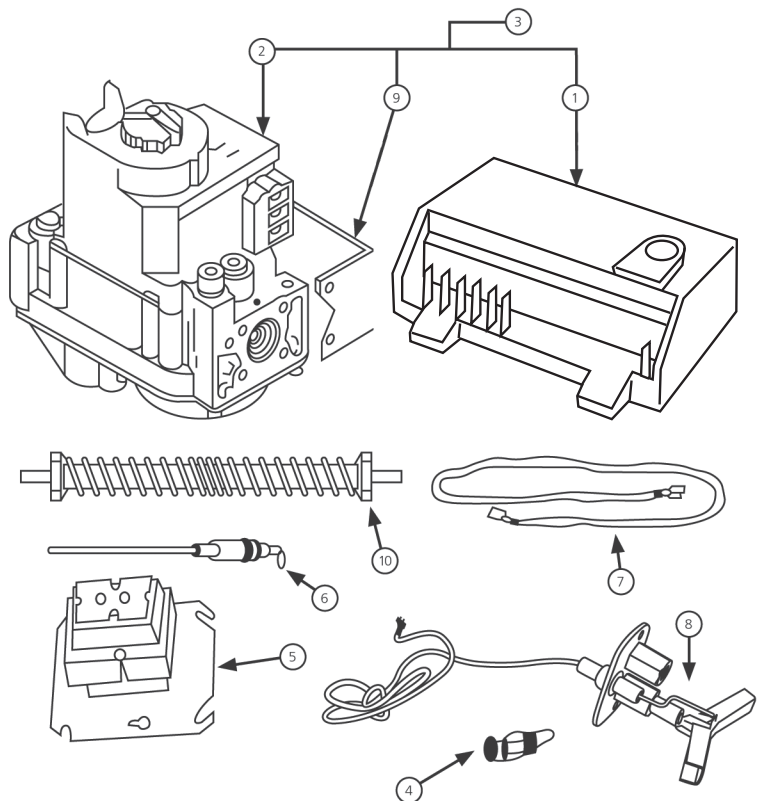
POUR LES SÉRIES HEATSTAR 9000, 9000S

LISTE DES PIÈCES DE RECHANGE POUR LE SYSTÈME DE CONTRÔLE DE SUFFIXE NDSP-5

Article no	No requis	No de stock	Description
1	1	00061	Module d'allumage Honeywell 58600c
2	1	00037	Valve à gaz DSP-5/VR8204A2001/SWC
3	1	00228	Ensemble de contrôle NDSP-5
4	1	05383	Orifice de la veilleuse G.N.
5	1	08353	Transformateur 40va
6	1	09374	Sonde du t/c longue de 30 mm (1 5/32 po)
7	1	09375	Fil de sonde des appareils 4000, 8000, 9000.
8	1	11385	Veilleuse d'allumage
9	1	14615	Support de montage a5, 745rs, l. et Hon.V.
10	1	16425	Tuyau flexible de la veilleuse avec raccords

NDSP-5 ou 2

1
2
4
5
6
7
8
9
10

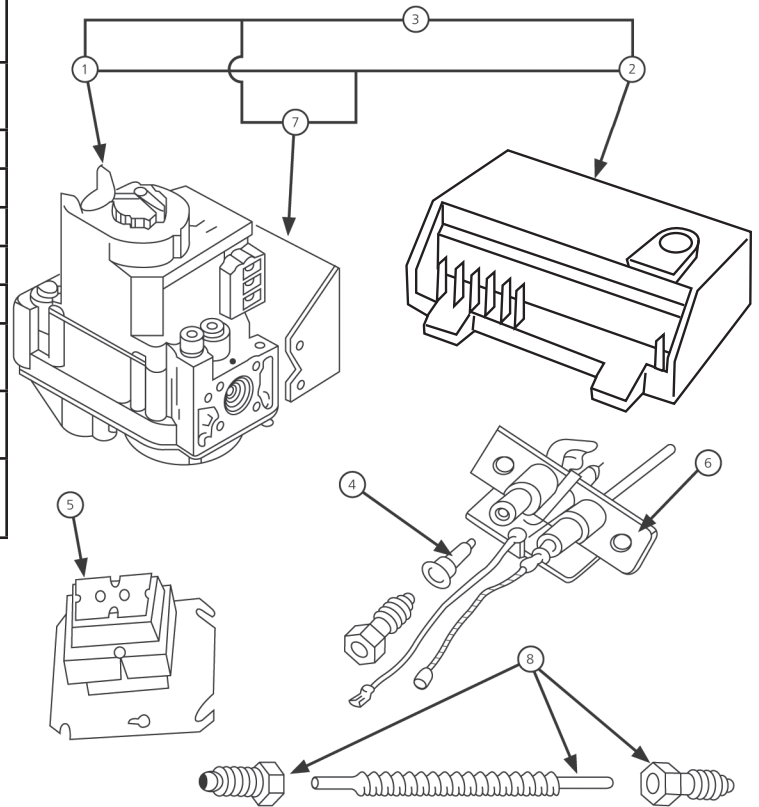


POUR LES SÉRIES HEATSTAR 4000, 8000

LISTE DES PIÈCES DE RECHANGE POUR LE SYSTÈME DE CONTRÔLE DE SUFFIXE LA5

Article no	No requis	No de stock	Description
1	1	00036	Valve à gaz DSP-5/VR8204A2092/ 28 cm (11 po)
2	1	00062	Module d'allumage Honeywell 58600M
3	1	00329	Ensemble de contrôle LA5
4	1	05577	Orifice de veilleuse - GPL
5	1	08353	Transformateur 40va
6	1	11407	Veilleuse d'allumage
7	1	14615	Support de montage a5, 745rs, l. et Hon.V.
8	1	16425	Tuyau flexible de la veilleuse avec raccords

LA5 ① ② ④ ⑤ ⑥ ⑦ ⑧ ou ③

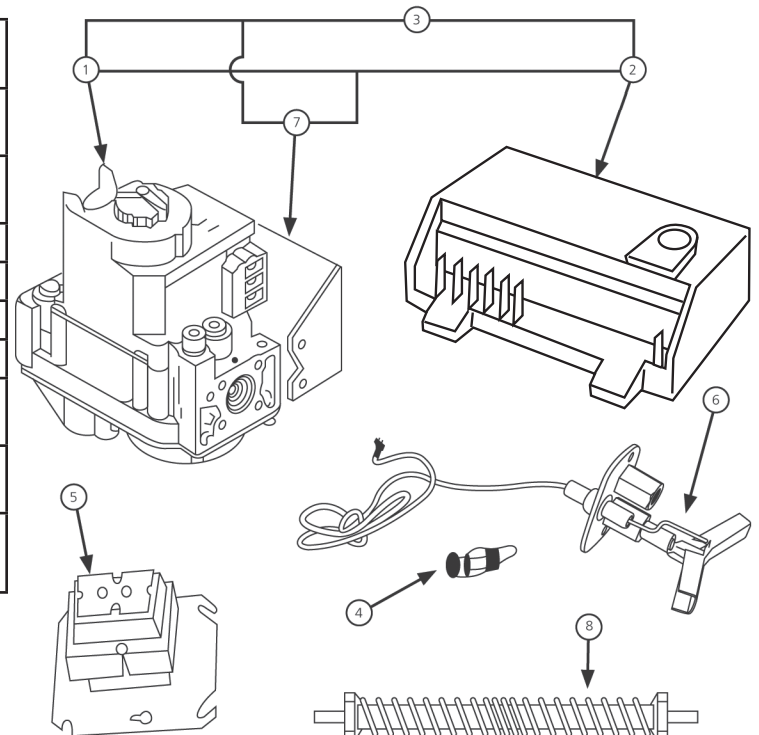


POUR LES SÉRIES HEATSTAR 9000, 9000S

LISTE DES PIÈCES DE RECHANGE POUR LE SYSTÈME DE CONTRÔLE DE SUFFIXE LA5

Article no	No requis	No de stock	Description
1	1	00036	Valve à gaz DSP-5/VR8204A2092/ 28 cm (11 po)
2	1	00062	Module d'allumage Honeywell 58600M
3	1	00329	Ensemble de contrôle LA5
4	1	05384	Orifice de veilleuse - GPL
5	1	08353	Transformateur 40va
6	1	11385	Veilleuse d'allumage
7	1	14615	Support de montage a5, 745rs, l. et Hon.V.
8	1	16425	Tuyau flexible de la veilleuse avec raccords

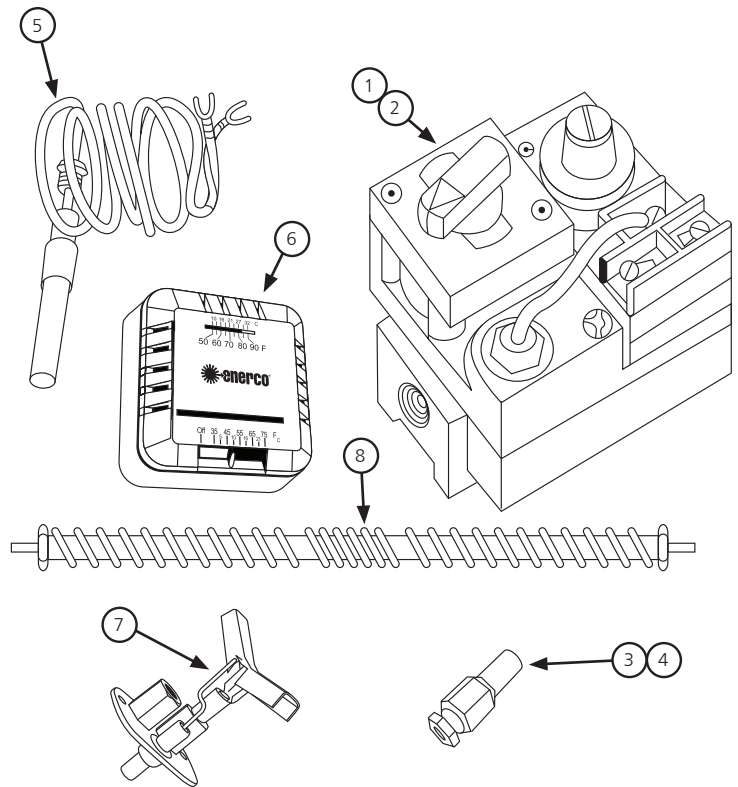
LA5 ① ② ④ ⑤ ⑥ ⑦ ⑧ ou ③



POUR LES SÉRIES HEATSTAR 9000, 9000S

LISTE DES PIÈCES DE RECHANGE POUR LE SYSTÈME DE CONTRÔLE DE SUFFIXE NPP, LPP

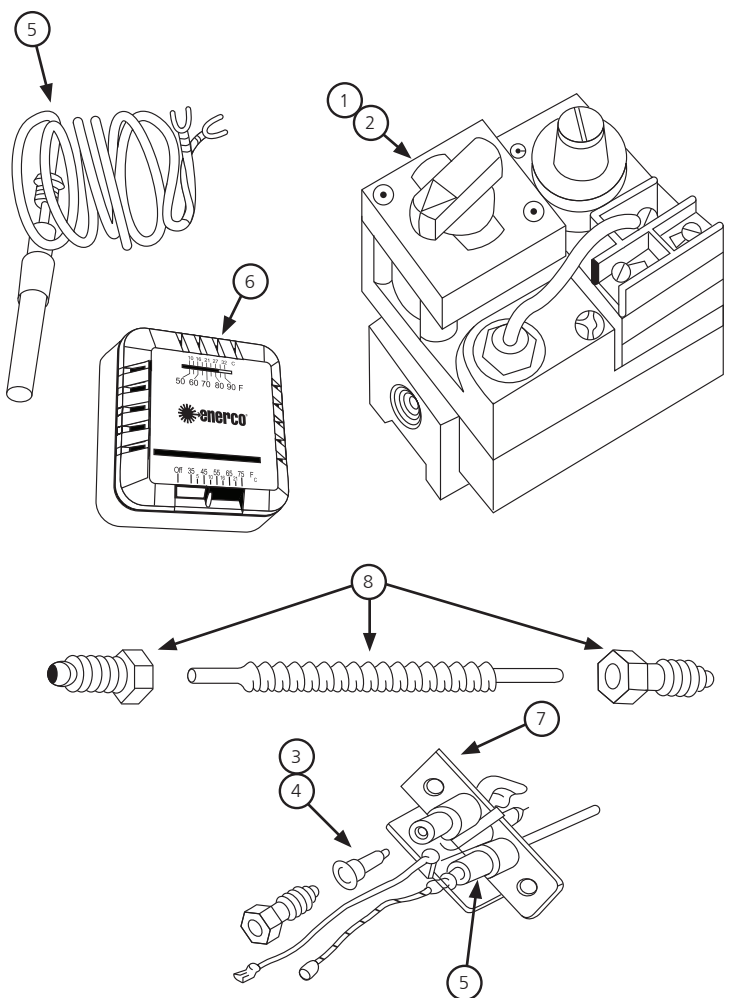
Article no	No requis	No de stock	Description
1	1	00024	Valve à gaz comb. (PP) G.N. NPT 13 mm x 13 mm (1/2 po x 1/2 po)
2	1	00025	Valve à gaz comb. (PP) G.P.L. NPT 13 mm x 13 mm (1/2 po x 1/2 po)
3	1	05384	Orifice de veilleuse - GPL
4	1	05383	Orifice de veilleuse G.N.
5	1	09360	Thermocouple PP Honeywell
6	1	10367	Thermostat « PP » Heatstar
7	1	11385	Veilleuse d'allumage-9000HTR
8	1	16425	Tuyau flexible de la veilleuse avec raccords
			NPP ① ④ ⑤ ⑥ ⑦ ⑧
			LPP ② ③ ⑤ ⑥ ⑦ ⑧



POUR LES SÉRIES HEATSTAR 4000, 8000

LISTE DES PIÈCES DE RECHANGE POUR LE SYSTÈME DE CONTRÔLE DE SUFFIXE NPP, LPP

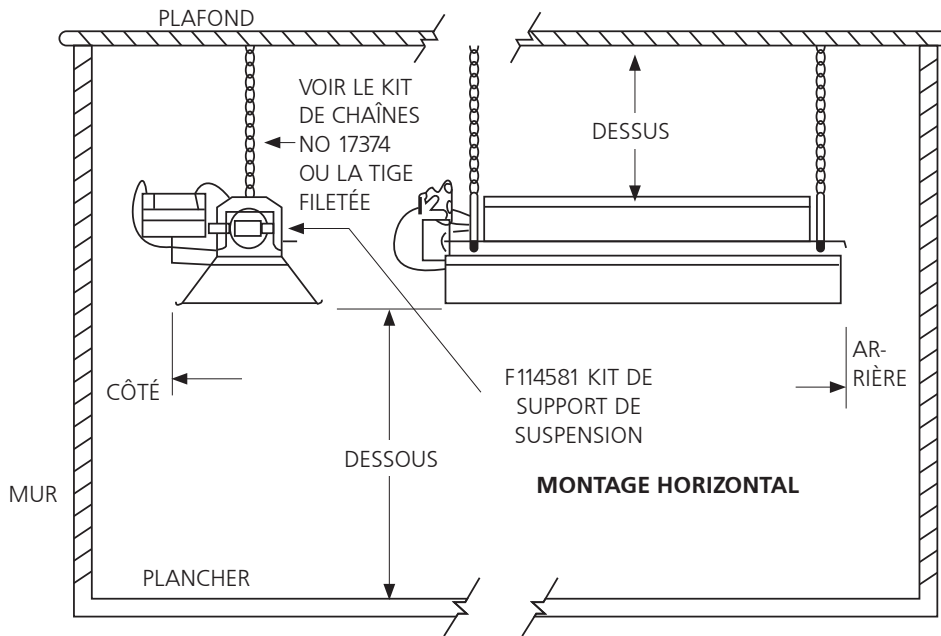
Article no	No requis	No de stock	Description
1	1	00024	Valve à gaz comb. (PP) G.N. NPT 13 mm x 13 mm (1/2 po x 1/2 po)
2	1	00025	Valve à gaz comb. (PP) G.P.L. NPT 13 mm x 13 mm (1/2 po x 1/2 po)
3	1	05577	Orifice de veilleuse - GPL
4	1	05573	Orifice de veilleuse G.N.
5	1	09360	Thermocouple PP Honeywell
6	1	10367	Thermostat « PP » Heatstar
7	1	11405	Veilleuse d'allumage - 9000HTR
7	1	11408	Tuyau flexible de la veilleuse avec raccords
8	1	16425	Tuyau flexible de la veilleuse avec raccords
			NPP ① ④ ⑤ ⑥ ⑦ ⑧
			LPP ② ③ ⑤ ⑥ ⑦ ⑧



REMARQUE : 1 – EN CAS DE COMMANDE DE PIÈCES DE RECHANGE, TOUJOURS DONNEZ LE NO DE MODÈLE DU RADIATEUR, LE NO DE STOCK, LE NO DE SÉRIE ET LE TYPE OU LE GAZ UTILISÉ.

2 – LORS DU DÉMONTAGE DU RADIATEUR POUR LA RÉPARATION, PORTEZ ATTENTION À L'ORIENTATION DES PIÈCES, PUIS REPRODUISEZ À L'INVERSE LA PROCÉDURE LORS DU MONTAGE.

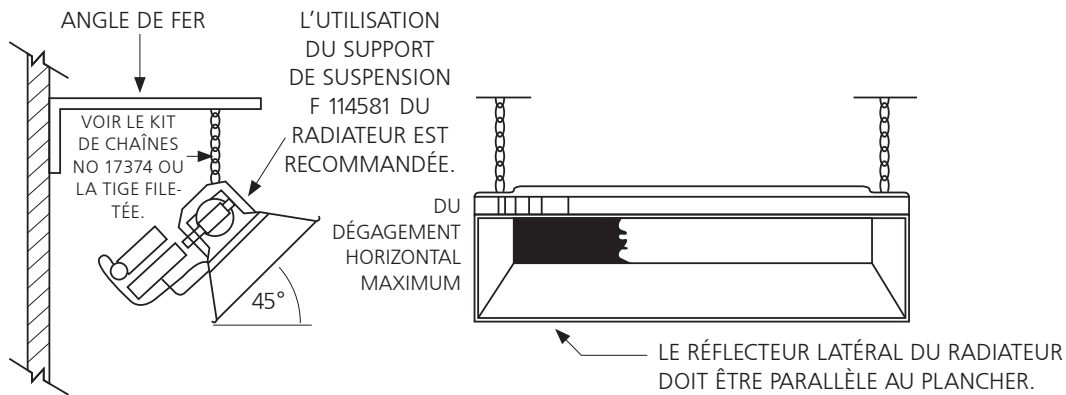
FIGURE 4 DÉGAGEMENTS PAR RAPPORT AUX COMBUSTIBLES



VOIR LES INSTRUCTIONS D'INSTALLATION POUR DES RENSEIGNEMENTS DÉTAILLÉS SUR LES DÉGAGEMENTS.

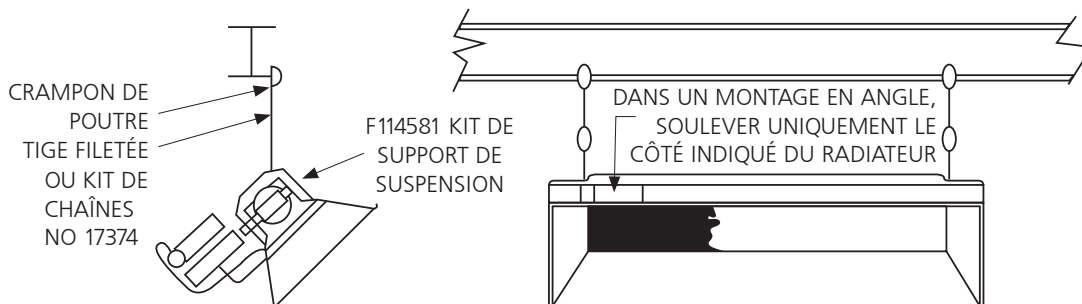
FIGURE 5 MONTAGE

MONTAGE MURAL NORMAL



MONTAGE SUR POUTRE NORMAL

MÉTHODE SUGGÉRÉE DE SUSPENSION
MODÈLES : 4000, 8000, 9000, MH40



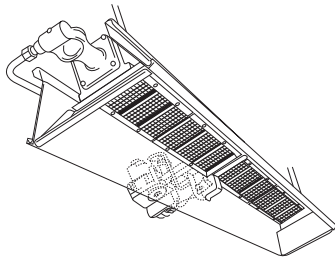
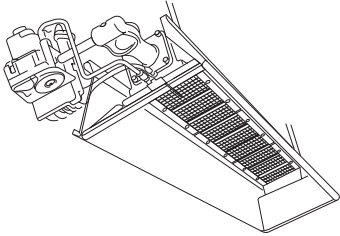
GUIDE D'UTILISATION ET MANUEL DU PROPRIÉTAIRE

Radiateurs infrarouges à forte intensité HEATSTAR

MODÈLE N° :

HS4030	HS8070	HS9100
HS4040	HS9080	HS9120
HS8050	HS9090	HS9140
HS8060	HS9100S	

LISEZ SOIGNEUSEMENT LES INSTRUCTIONS : Lisez et suivez toutes les instructions. Conservez ces instructions dans un endroit sécuritaire pour vous y référer ultérieurement. Ne permettez pas à quiconque n'ayant pas lu les présentes instructions d'assembler, d'allumer, de régler ou de faire fonctionner le radiateur.



⚠ AVERTISSEMENT : UTILISER UNIQUEMENT LES PIÈCES DE RECHANGE DU FABRICANT. L'UTILISATION DE TOUTE AUTRE PIÈCE POURRAIT CAUSER DES BLESSURES OU LA MORT. LES PIÈCES DE RECHANGE SONT OFFERTES UNIQUEMENT DIRECTEMENT DE L'USINE ET DOIVENT ÊTRE INSTALLÉES PAR UNE AGENCE QUALIFIÉE.

RENSEIGNEMENTS POUR COMMANDER DES PIÈCES :

POUR ACHETER : Les accessoires peuvent être achetés chez n'importe quel revendeur local Mr. Heater/HeatStar ou directement de l'usine.

POUR DES INFORMATIONS SUR LE SERVICE

Veuillez appeler sans frais le 800-251-0001 • www.enerco-mrheater.com

Nos heures de bureau sont de 8 h 30 à 17 h, fuseau horaire de l'Est, du lundi au vendredi.

Par adresse électronique à : techservice@enerco-mrheater.com

Veuillez inclure le numéro du modèle, la date d'achat et la description du problème dans toute communication.

GARANTIE LIMITÉE

La Société garantit que ce produit est exempt d'imperfections d'équipement ou de fabrication, sous utilisation normale et appropriée, conformément aux instructions de la Société, pour une période d'un an à compter de la date de livraison à l'acheteur. La Société, à sa discrétion, réparera ou remplacera les produits retournés par l'acheteur à l'usine, le transport payé d'avance au sein de ladite période d'un an et jugés par la Société comme ayant des imperfections d'équipement ou de fabrication.

Garantie au prorata de 10 ans sur le brûleur uniquement.

Si un article est endommagé ou manquant, appelez notre service de soutien technique au 800-251-0001.

Adressez toute réclamation au département du service à la clientèle, Enerco Group, Inc., 4560 W. 160th St., Cleveland, Ohio 44135. Inclure votre nom, adresse et numéro de téléphone et les détails concernant la réclamation. Nous fournir également la date d'achat et le nom et l'adresse du concessionnaire auprès duquel vous avez acheté notre produit.

Ce qui précède relève entièrement de la responsabilité de la Société. Il n'existe aucune autre garantie, explicite ou implicite. Plus précisément, il n'existe aucune garantie d'adéquation à un usage particulier et aucune garantie de qualité marchande. En aucun cas la Société ne sera responsable d'un retard causé par les imperfections, pour les dommages indirects ou des frais de toute nature engagés sans son consentement écrit. Le coût de la réparation ou du remplacement doit être la seule réparation pour toute violation de la garantie. Il n'y a pas de garantie contre la violation analogue et aucune garantie implicite découlant du cours de la transaction ou d'usages du commerce. Cette garantie ne s'applique à aucun produit qui a été réparé ou modifié en dehors de l'usine à tout égard ce qui, selon notre jugement, affecterait son état ou son fonctionnement.

Certains États ne permettent pas l'exclusion ou la limitation des dommages fortuits ou consécutifs, de sorte que la limitation ou l'exclusion peut ne pas s'appliquer à vous. Cette garantie vous donne des droits légaux spécifiques, et vous pouvez avoir d'autres droits qui varient selon les États.

Enerco Group, Inc. se réserve le droit de modifier en tout temps, sans préavis ni obligation, les couleurs, spécifications, accessoires, matériaux et modèles.

ENREGISTREMENT DU PRODUIT : Nous vous remercions pour votre achat.

Veuillez vous connecter à <http://www.egiregistration.com> pour enregistrer votre produit.



ANSI Z83.19a-2011/CSA 2.35a-2011

ENERCO GROUP, INC., 4560 W. 160TH ST., CLEVELAND, OHIO 44135 • 216-916-3000
Mr. Heater est une marque déposée de Enerco Group, Inc
© 2008, Enerco Group, Inc. Tous droits réservés.