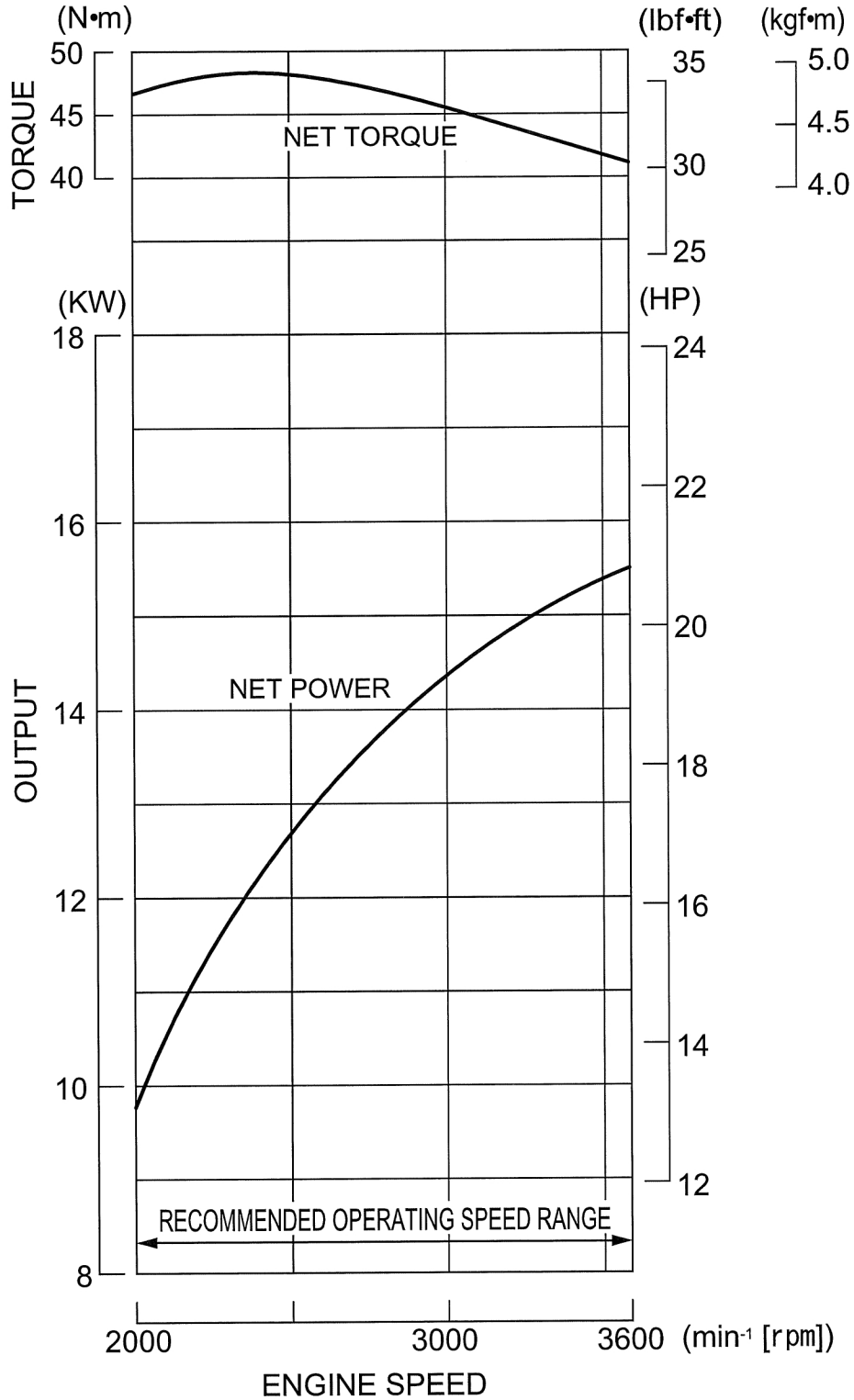
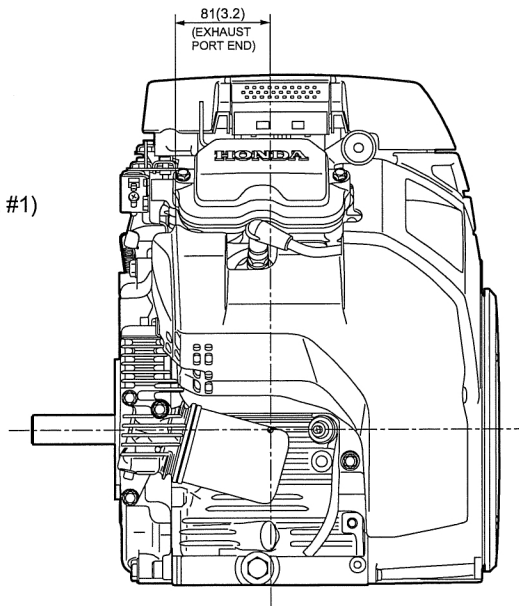
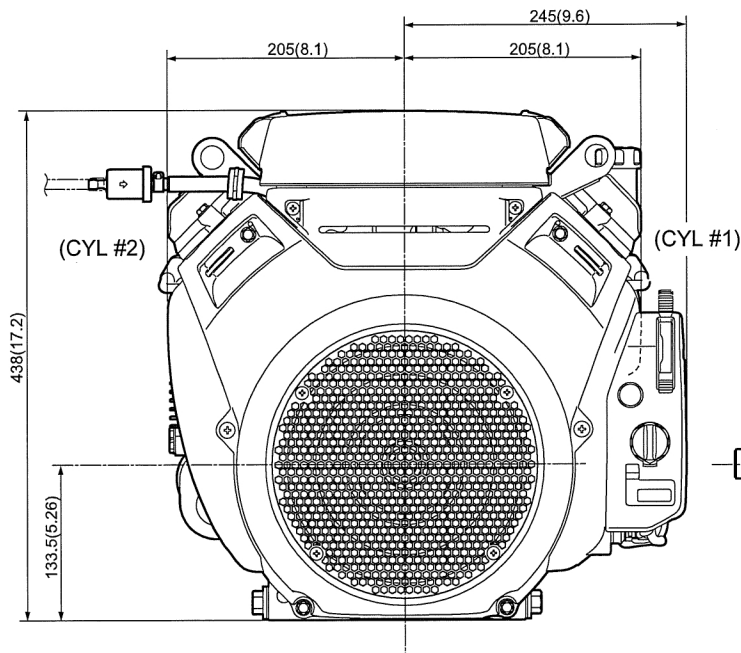
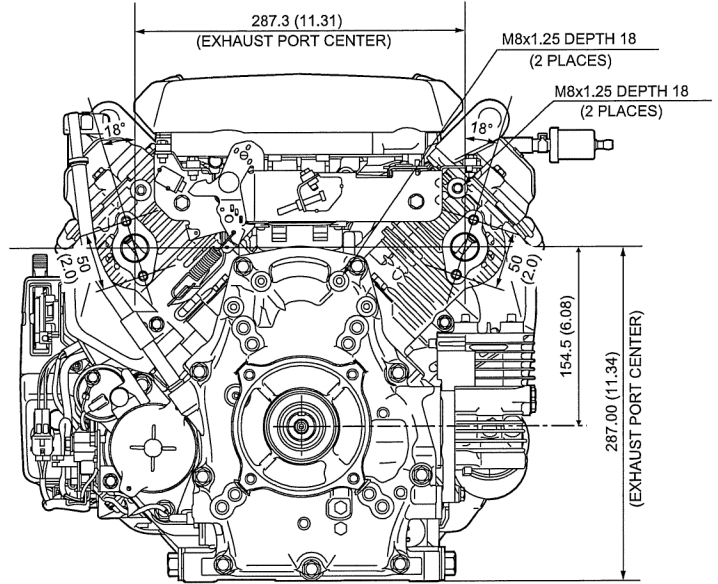
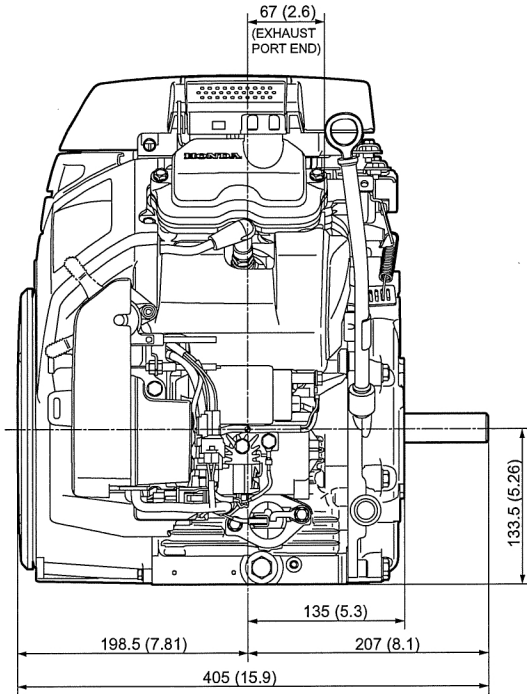


PERFORMANCE CURVES



DIMENSIONAL DRAWINGS

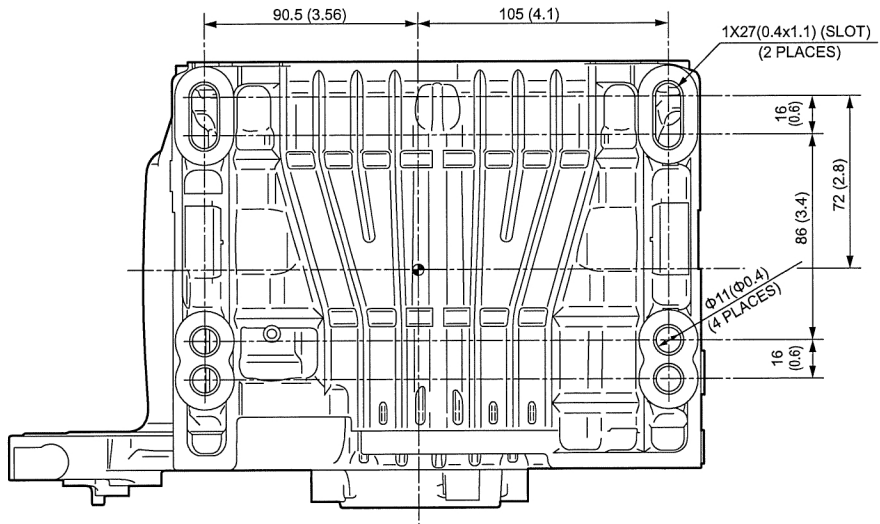
Unit: mm (in)



GX630R

ENGINE BASE MOUNT DIMENSIONAL DRAWING

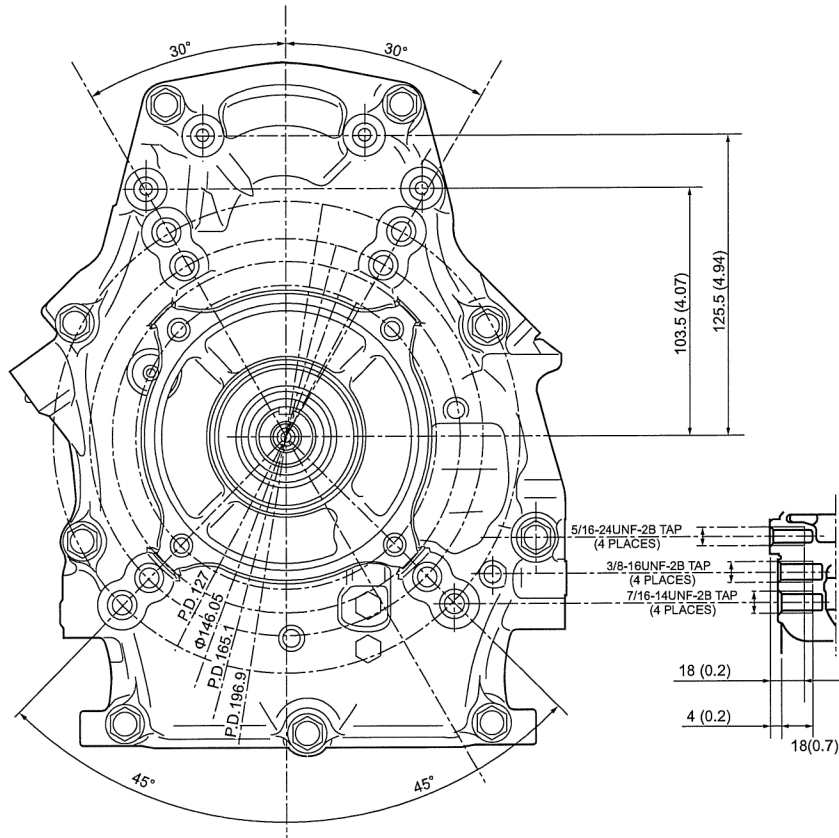
Unit: mm (in)



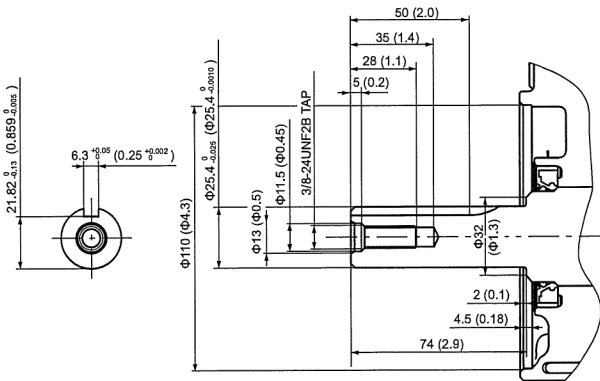
PTO DIMENSIONAL DRAWINGS

MOUNT PART

Unit: mm (in)



Q TYPE



V TYPE

