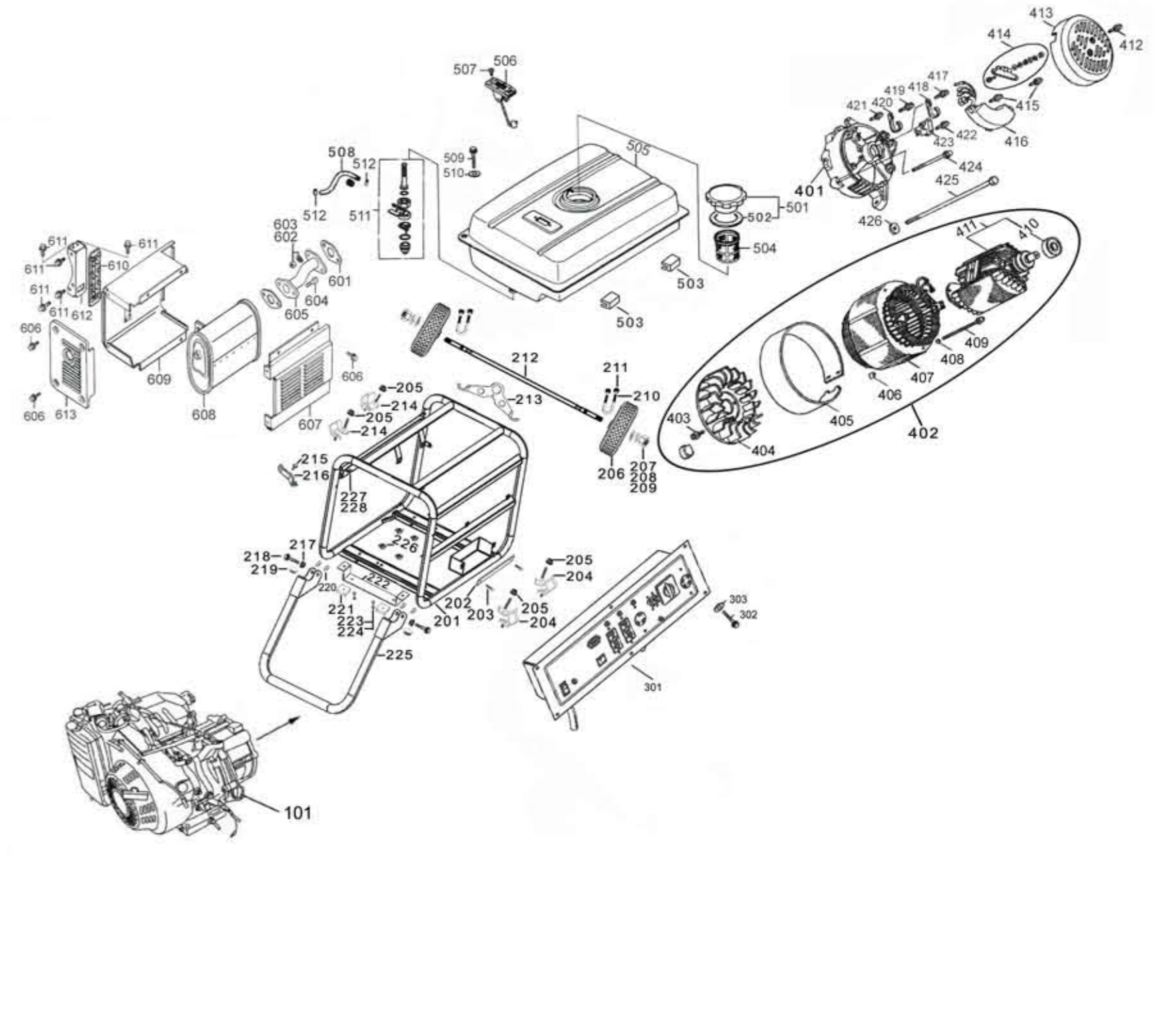
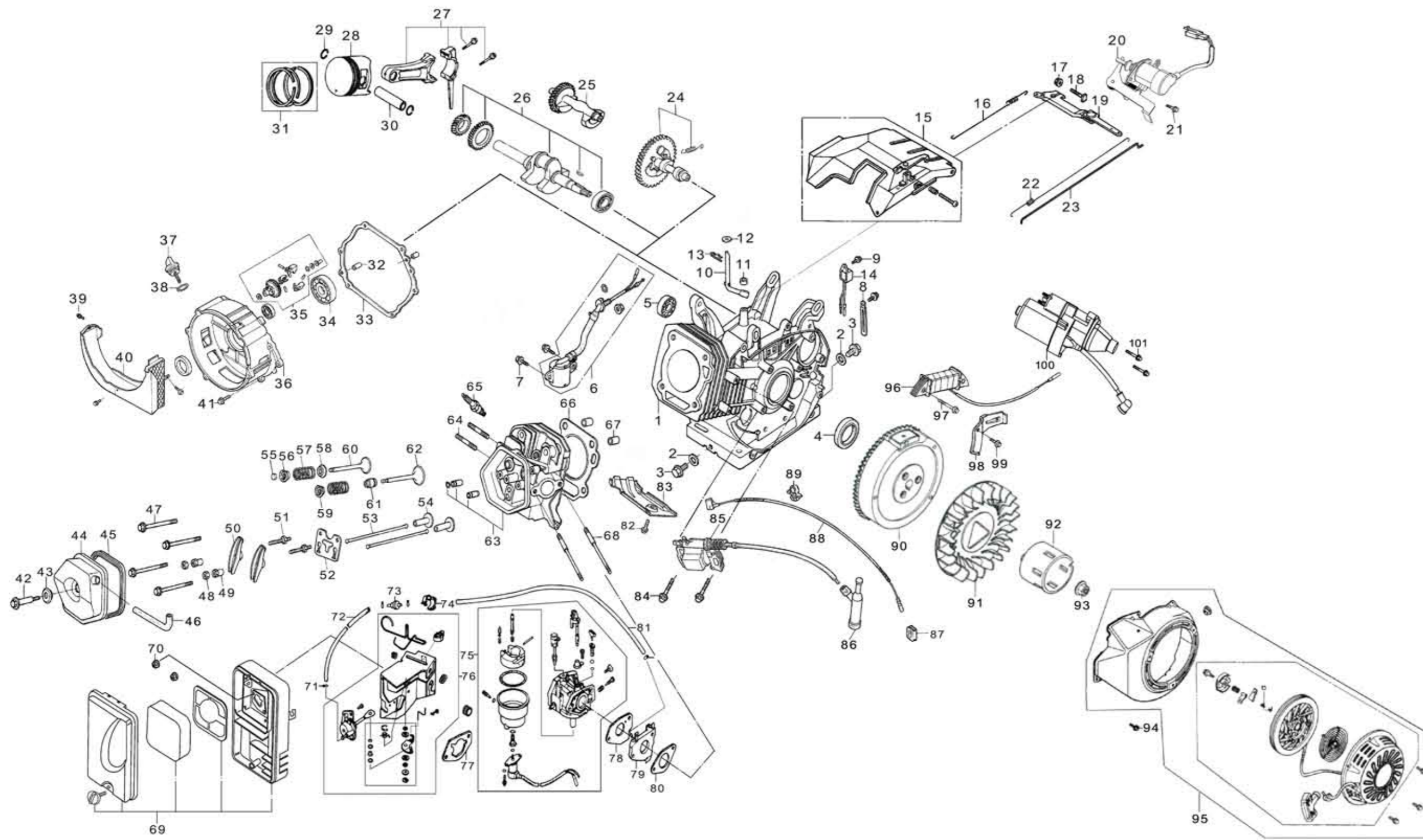


TG72K12



NO.	PART NUMBER	DESCRIPTION	QTY	NO.	PART NUMBER	DESCRIPTION	QTY	NO.	PART NUMBER	DESCRIPTION	QTY
1	12000-190-00	CRANKCASE (HOLE)	1	35	16506-188-00	GOVERNOR ASSY(7.0g)	1	69	17250-188-00	AIR/C	1
2	94109-12000-00	WASHER,DRAIN PLUG,12MM	2	36	11300-188-00	COVER ASSY.,CRANK CASE	1	70	94050-06000-00	NUT,FLANGE M6	2
3	92800-12016-00	BOLT,PLUG,DRAIN 12*16	2	37	15620-188-00	CAP ASSY,OIL FILLER(YELLOW)	1	71	95003-188-00	CLIP,TUBE (B8)	4
4	91201-188-00	OIL SEAL 34X52X8	2	38	91301-188-00	O-RING 26*2.7	1	72	16962-188-00	LATEX PIPE B	1
5	96110-188-00	BEARING BALL RADIAL 6202	2	39	95701-05012-00	BOLT,FLANGE 5X12	3	73	16965-188-00	CHECK VALVE	1
6	15510-188-00	SWITCH ASSY,OIL LEVEL	1	40	11315-188-00	COVER DUCT	1	74	45460-188-00	BANDWIRE,CHECK VALVE	1
7	95701-06016-00	BOLT,FLANGE,6X16	2	41	95701-08040-00	BOLT,FLANGE 8X40	7	75	16100-190-00	CARBURETOR ASSY	1
8	44832-188-00	CLAMPER,METAL CABLE	1	42	95528-06060-00	ABNORMITY BOLT,FLANGE ASSY	1	76	16960-188-00	CHECK VALVE ASSY	1
9	95701-06012-00	BOLT,FLANGE,6X12	2	43	91262-188-00	ABNORMITY LATEX 6MM	1	77	16269-188-00	PKG,AIR/C	2
10	16541-188-00	SHAFT,GOVERNOR ARM	1	44	12310-188-00	COVER COMP,HEAD	1	78	16221-188-00	PKG,CARB	1
11	91203-168-00	OIL SEAL 8*14*5	1	45	12391-188-00	PKG,HEAD COVER	1	79	16211-188-00	INSULATOR,CARB	1
12	90442-08000-00	WASHER,PLAIN,8MM(1.5MM)	1	46	15721-188-00	TUBE,BREATHER(ARC)	1	80	16212-188-00	GASKET,INLET	1
13	94251-08000-00	PIN,LOCK	1	47	95801-10080-00	BOLT,FLANGE 10*80	4	81	16961-188-00	LATEX PIPE A	1
14	15520-188-00	SAFEGUARD ASSY,OIL LEVEL	1	48	90206-188-00	NUT,PIVOT ADJUSTING	2	82	95701-06012-00	BOLT,FLANGE 6X12	1
15	16550-188-00	REGULATING CONTROL SYSTEM	1	49	14451-188-00	PIVOT,ROCKER ARM	2	83	19631-188-00	LEAD WIND COVER	1
16	16562-188-00	SPRING THROTTLE RETURN	1	50	14431-188-00	ARM,VALVE ROCKER	2	84	95701-06025-00	BOLT,FLANGE 6X25	2
17	94050-06000-00	NUT,FLANGE 6MM	1	51	90012-188-00	BOLT PIVOT	2	85	30500-190-00	COIL ASSY.,IGNITION	1
18	72880-06021-00	BOLT,GOV.ARM(T) 6*21	1	52	14791-188-00	PLATE,PUSH ROD GUIDE	1	86	30600-188-00	TERMINAL ASSY.,HIGE TENSION	1
19	16551-190-00	ARM COMP., GOVERNOR	1	53	14410-188-00	ROD,PUSH 5*165	2	87	31512-188-00	GROMMET,CORD	1
20	35810-188-00	ELECTROMAGNETISM VALVE,IDLE	1	54	14441-188-00	LIFTER VALVE 9*46	2	88	36101-188-00	CORD, STOP SWITCH	1
21	95701-06012-00	BOLT,FLANGE 6X12	2	55	14781-188-00	ROTATOR,VALVE	1	89	90650-188-00	BAND WIRE	1
22	16584-188-00	SPRING,CONTL ADJ	1	56	14773-188-00	RETAINER,EXH VALVE SPRING	1	90	31110-190-00-FD	FLYWHEEL COMP (2SLICE)	1
23	16555-188-00	ROD,GOVERNOR	1	57	14751-188-00	SPRING,VALVE	2	91	19511-188-00	FAN,COOLING	1
24	14100-190-00	CAM SHAFT ASSY	1	58	14775-188-00	RETAINER,EXH VALVE DOWN SPRING	1	92	28451-188-00	STARTING CUP	1
25	13315-190-00	COUNTERPOISE SHAFT	1	59	14771-188-00	RETAINER,IN,VALVE SPRING	1	93	94050-16000-00	NUT,SPECIALFLANGE M16*1.5-H24	1
26	13310-190-00	CRANK SHAFT COMP	1	60	14721-188-00	VALVE,EXHAUST	1	94	95701-06012-00	BOLT,FLANGE,6X12	6
27	13200-190-00	CONN ROD ASSY	1	61	12209-188-00	SEAL,VALVE STEM	1	95	28400-188-00	STARTER ASSY,RECOIL(BLACK)	1
28	13101-190-00	PISTON	1	62	14711-188-00	VALVE,INLET	1	96	35850-188-00	ELECTRICIZE WINDING	1
29	90551-188-00	CLIP PISTON PIN	2	63	12210-190-00	HEAD COMP., CYLINDER	1	97	95701-06030-00	BOLT,FLANGE 6X30	2
30	13111-188-00	PIN,PISTON	1	64	90035-08040-00	BOLT,STUD 8X40	2	98	44831-188-00-FD	STAY LINE BOARD	1
31	13010-190-00	RING SET,PISTON (STD)	1	65	98097-188-00	SPARK PLUG F7TC	1	99	95701-06012-00	BOLT,FLANGE 6X12	1
32	90701-08014-00	PIN DOWEL 8*14	2	66	12251-190-00	GASKET,CYLINDER HEAD	1	100	31210-188-00	MOTOR UNIT, STARTER	1
33	11381-188-00	PKG,CASE COVER	1	67	94301-12020-00	DOWEL,PIN,12X20	2	101	95701-08035-00	BOLT,FLANGE 8X35	2
34	96100-188-00	BEARING BALL RADIAL 6207	2	68	90043-06110-00	BOLT,STUD M6XM8*110	2				

NO.	PART NUMBER	DESCRIPTION	QTY	NO.	PART NUMBER	DESCRIPTION	QTY	NO.	PART NUMBER	DESCRIPTION	QTY
101		ENGINE	1	228	95701-08016-00	BOLT,FLANG M8*16	2	425	92101-10285-00	FASTNESS BOLT(ROTOR)	1
201	50310-T80-00	FRAME COMP	1	301	33100-T80-00	CONTROL PANEL ASSY	1	426	94111-10000-00	WASHER,SPRING(ROTOR)	1
202	82350-T80-00	IMMOBILITY BOARD(BATTERY)	1	302	95701-06012-00	BOLT,FLANG M6*12	6	501	17620-168-00	CAP COMP,FUEL FILLER	1
203	95701-06016-00	BOLT,FLANGE,6X16	2	303	94101-06000-00	WASHER,PLAIN(RED)	6	502	17631-188-00	PACKING, FUEL FILLER CAP	1
204	77320-188-00	BOTTOM RUBBER A	2	401	31170-188-00	GENERATOR STAY	1	503	53136-T80-00	IMMOBILITY PIECE(RUBBER)	2
205	94050-10000-00	NUT,FLANGE M10-H14	4	402	31200-D70-00	MOTOR ASSY (7.25KW)	1	504	15420-188-00	FUEL FILLER	1
206	42710-188-01	FOAM WHEEL 10"	2	403	95701-05016-00	BOLT,FLANGE 5*16	2	505	17510-T80-00	TANK COMP,FUEL(BLUE)	1
207	90486-12000-00	WASHER,PLAIN 12MM	2	404	19512-188-00	GENERATOR FAN	1	506	17640-190-00	FUEL SENSOR ASSY	1
208	94111-12000-00	WASHER, SPRING 12MM	2	405	31150-D70-00	STATOR COVER	1	507	93800-05010-00	SCREW 5*10	2
209	94050-10000-00	NUT,FLANGE M10-H18	2	406	90305-05000-00	NUT (STATOR) M5	2	508	95001-188-00	TUBE,FUEL 4.5*205	1
210	94113-16028-00	BRIDGE FORK(AXLE WHEEL)	2	407	31200-D70-00	STATOR COMP	1	509	95701-06012-00	BOLT,FLANGE M6X12	2
211	94050-06000-00	FLANGE NUM 6MM	4	408	94111-05000-00	WASHER, SPRING 5MM	2	510	90486-06022-00	WASHER,PLAIN 6*22*2.0	2
212	44300-T80-00	AXLE WHEEL	1	409	92101-05235-00	FLANGE BOLT(STATOR)	2	511	16950-168-00	COCK ASSY,FUEL	1
213	87529-T80-00	SUSPEND	1	410	91005-188-00	BEARING 6205RS	1	512	95003-188-00	CLIP,TUBE (B8)	2
214	77330-188-00	BOTTOM RUBBER B	2	411	31130-D70-00	ROTOR,COMP	1	601	18381-188-00	GASKET,MUFFLER	3
215	95701-06012-00	BOLT,FLANG M6*12	1	412	95701-05016-00	BOLT,FLANGE 5*16	2	602	94111-08000-00	WASHER,SPRING(ROTOR) 8MM	2
216	17239-188-00	STAY,AIR/C	1	413	31203-188-00	BRACKET,RR.,MOTOR(BLACK)	1	603	90305-08000-00	NUT,FLANGE 8MM	2
217	94050-08000-00	NUT,FLANGE M8	2	414	19620-188-00	CONNECTION FLAT	1	604	95701-08025-00	BOLT,FLANGE 8X25	2
218	95701-08060-00	BOLT,FLANG M8*60	2	415	95701-05016-00	BOLT,FLANGE 5*16	4	605	18335-188-00	PIPE,EXH	1
219	90490-T70-00	ABNORMITY WASHER	2	416	30300-188-00	VOLTAGE REGULATOR (7KW)	1	606	95701-06012-00	BOLT,FLANGE 6X12	7
220	90490-T70-01	ABNORMITY WASHER	4	417	95701-05016-00	BOLT,FLANGE 5*16	1	607	18320-188-01	PROTR,OUT MUFFLER	1
221	50710-T70-00	RUBBER UNDERLAY (STAND COMP)	2	418	90650-00300-00	BAND WIRE(SINGLE)	1	608	18310-T80-01	MUFFLER COMP(SPARK ELIMINATE UTENSI)	1
222	50500-T80-00	STAND COMP.,MAIN	1	419	95701-05016-00	BOLT,FLANGE 5*16	2	609	18321-188-00	PROTR,IN MUFFLER	1
223	95701-06016-00	BOLT,FLANG M6*16	2	420	90650-00300-00	BAND WIRE(SINGLE)	1	610	18323-188-00	LATEX (PROTR,IN MUFFLER)	1
224	94050-06000-00	NUT,FLANGE M6	2	421	95701-05016-00	BOLT,FLANGE 5*16	1	611	95701-08016-00	BOLT,FLANGE 8X16	4
225	53131-190-00	HANDLE PIPE	1	422	95701-05016-00	BOLT,FLANGE 5*16	1	612	18382-188-00	MUFFLER STAY	1
226	94050-08000-00	NUT,FLANGE M8-H13	4	423	31160-188-00	BRUSH ASSY	1	613	18322-188-00	SAFEGUAR BOARD MUFFLER	1
227	50410-T80-00	CROSSBAND(FRAME)	1	424	95701-06195-00	FLANGE BOLT(STATOR)	4				