

Swann Technical Support
All Countries E-mail: tech@swann.com.au
Telephone Helpdesk
UNITED STATES toll free
877-274-3695
(Sun-Thurs, 2pm-10.30pm PST)
800-627-2799
(Mon-Fri, 9am-1pm PST)
USA Exchange & Repairs
562-777-2551
(Mon-Fri, 9am-5pm PST)
AUSTRALIA toll free
1300 13 8324
(Mon-Fri, 9am-5.30pm Aus EST)
International
+61 3 8412 4610
(Mon-Fri, 9am-5.30pm Aus EST)

See <http://www.worldtimeserver.com> for information on different time zones and the time in Melbourne Australia compared to your local time.

Warranty Information

Swann Communications warrants this product against defects in workmanship and material for a period of one (1) year from its original purchase date. You must present your receipt as proof of date of purchase for warranty validation. Any unit which proves defective during the stated period will be repaired without charge for parts or labour or replaced at the sole discretion of Swann. The repair or replacement will be warranted for either ninety days or the remainder of the original one year warranty period, whichever is longer. The end user is responsible for all freight charges incurred to send the product to Swann's repair centres. The end user is responsible for all shipping costs incurred when shipping from and to any country other than the country of origin. The warranty does not cover any incidental, accidental or consequential damages arising from the use of or the inability to use this product. Any costs associated with the fitting or removal of this product by a tradesman or other person or any other costs associated with its use are the responsibility of the end user. This warranty applies to the original purchaser of the product only and is not transferrable to any third party.

Unauthorised end user or third party modifications to any component or evidence of misuse or abuse of the device will render all warranties void.



HD420 Hi-Res Camera

High Powered, Discreet Surveillance



 **Swann Helpdesk**
Has the answers

If this device does not work when you first plug it in, do not take it back to the store.

- ✓ Contact the Swann Helpdesk using our fast e-mail service tech@swann.com.au or call us on one of the Toll-Free numbers shown on the back cover of this booklet.
- ✓ Most problems can be quickly and easily fixed with a simple e-mail or a quick chat with one of our friendly technical staff. (Toll-Free available in the US and Australia only)

Installation Guide

This package comes with...

1. Swann HD420 Colour Security Camera
2. Manual Focus Lens
3. Adjustable Camera Stand
4. 12 Volt Power Adaptor
5. Video Extension Cable
6. Male BNC to Female RCA Adaptor
7. This Instruction Manual

FCC WARNING STATEMENT

This device complies with Part 15 of FCC Rules. Operation is subject to the following two conditions:
 (1) This device may not cause harmful interference, and
 (2) this device must accept any interference received, including interference that may cause undesired operation.

WARNING: IMPORTANT NOTICE ABOUT CORRECT USE OF POWER ADAPTER

The correct orientation for the enclosed power adapter is in a vertical or floor mount position.

L'orientation correcte pour l'adaptateur secteur fourni est dans une position verticale ou plancher-monte.

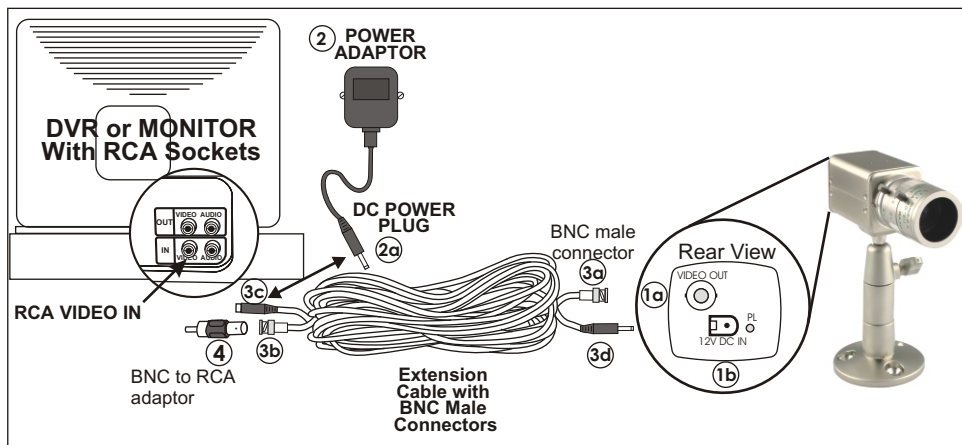
La orientacion correcta para el adaptador electrico incluido es en posicion vertical o instalado en el suelo.



Connect the camera to your monitoring device

Your HD420 Camera is designed to transmit high quality color images to your Security Monitoring Device, Television or VCR and is operated by mains power. To help guide you through the process of setting up the HD420 Camera, we have outlined the steps and numbered each of the components required in the diagram below.

Connection to VCR, TV or MONITOR with RCA Sockets



Troubleshooting

No Image on Screen - Ensure power is correctly connected and turned on. Check that Video cable is correctly connected and that BNC connectors have been turned to lock position.

Blurry Image - Ensure lens is correctly fitted and if necessary re-adjust focus until image is clear

Spotty or Hazy Image - This usually happens when the available light is very low, please provide additional lighting to area.

Image is too bright - Adjust **Aperture Ring** to close aperture and let less light in to sensor.

Background appears to have Blue tinge - This can be caused by some types of lighting. Try different lighting methods to obtain the best image.

Image is upside-down - This can happen if you have mounted the camera the wrong way up. Connect the stand to the mounting point on the opposite side of the camera.

Technical Specifications

TV System:	SSC Technology Sensor
Camera Sensor:	1/3"/8.5mm Color
Effective Element:	PAL/CCIR (AU, UK, EC) NTSC/EIA (USA)
Definition:	PAL: 628*582 NTSC: 510*492
Scanning Frequency:	400 TV lines PAL/CCIR: 50HZ NTSC: 60HZ
Minimum Illumination:	0.8 Lux
Signal Noise Ratio:	>+40dB
Electronic Shutter:	1/60~1/15000 second
Power Supply:	12V DC
View Angle:	35° to 50° Variable
Construction:	Aluminum
Operation Temperature:	-4°F-140°F / -20°C-+60°C

Tips for locating your camera

You should position your cameras to cover the areas most exposed to risk. See our suggestions below for some ideas:



1. Doorways



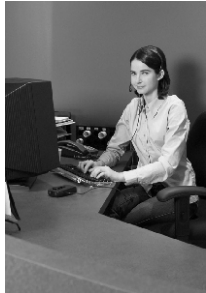
2. Windows



3. Car Parks



4. Verandahs



5. Reception areas



6. Cash register



7. Mix dummies & real cameras

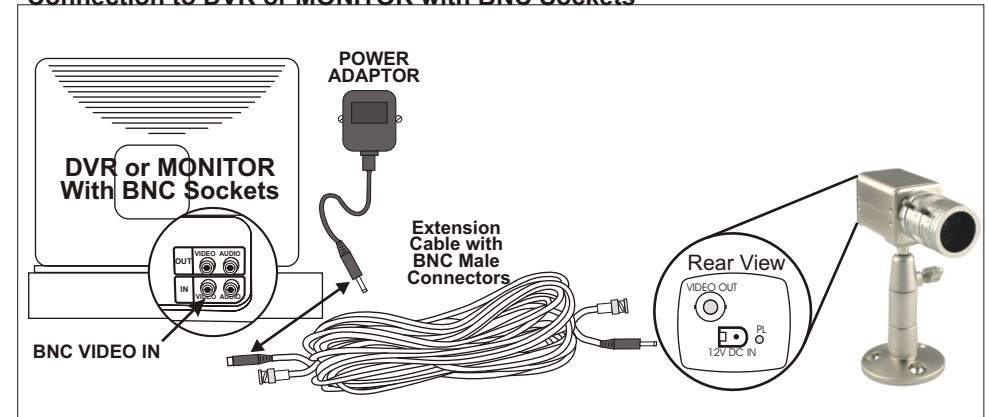
Where to Place The Security Stickers:

1. On your front window
2. On side windows
3. Near entrance points - doors, gates
4. Next to a dummy camera mounted outside
5. On the front counter
6. On the cash register
7. Next to an obvious camera



Connect the camera to your monitoring device (continued)

Connection to DVR or MONITOR with BNC Sockets



These step by step instructions are provided for you to enable a quick and simple installation of your camera. Please refer to the diagram for component identification details.

Step 1: At the back of your camera you will find two plugs:


- Video-Out BNC Female Connector (1a)
- 12V DC IN Power Socket (1b)

Step 2: Plug the BNC Male Connector (3a) on the extension cable into the **Video-Out BNC Female** (1a) and turn the outer ring to lock the connectors. Plug the **BNC to RCA Adaptor** (4) into the other BNC Male Connector (3b) at the other end of the extension cable and then into the RCA Video In socket on your TV or VCR (usually located at the back). This is the best method of connecting the camera initially to test it for correct operation.

Step 3: Connect the **DC Power Plug** (2a) at the end of the **power adaptor** (2) into the **DC Power Socket** (3c) on the extension cable, and plug **DC power plug** (3d) into your Camera's 12V DC-IN Socket (1b).

Step 4: Plug the **power adaptor** (2) into the mains power point on your wall and switch on.

Step 5: If you have an **A/V TV** with RCA sockets you will need to switch the **TV** to the **AV** channel to view the camera.

To view the camera connected to your **VCR**, you will need to select the AV input you have connected the camera to on the **VCR**, turn your **TV** onto the channel you would normally use to view a tape or movie on your **VCR**. This channel may be activated by a button on your remote that is marked with this symbol , or L1 or L2 or possibly AV1 or AV2. Please read the **instructions** for your **VCR** or **TV** for more information on using their **A/V inputs**.

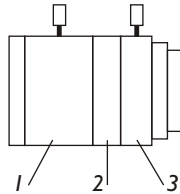
Fitting and setting the lens

Adjust the lens to suit your application:

Loosen the adjuster screw on the **Focal Length Ring** (also called Zoom) (1) and turn the ring clockwise to show a distant (**Wide**) view of the subject with a wider view angle and anti-clockwise to show a close up (**Telephoto**) view of the subject with a narrow view angle. Gently tighten the locking screw when finished.

Turn the **Aperture Adjustment Ring** (2) clockwise to decrease the amount of light available to the sensor and anti-clockwise to increase the amount of light until you achieve the desired image quality.

Loosen the adjuster screw on the **Focus Adjustment Ring** (3) and turn it clockwise or anti-clockwise to focus the camera. Once this is done gently tighten the locking screw.



Description of controls and connectors on the back panel of the Swann HD420 camera

PL:

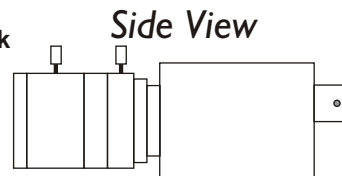
Power LED - Lights up when power to camera is on

Video Out:

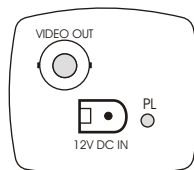
BNC Female connector - Connects to Male BNC to Female RCA adaptor then connect to the extension cable.

12V DC IN:

Power connector - Connect using supplied 12Volt Regulated Power Adaptor or extension cable



Rear View



NOTE:

All jurisdictions have specific laws and regulations relating to the use of cameras. Before using any camera for any purpose, it is the buyer's responsibility to be aware of all applicable laws and regulations that prohibit or limit the use of cameras and to comply with the applicable laws and regulations. The legality of watching people other than yourself changes from country to country and even state to state. Contact your local government's privacy information body or your local Police for more information on what if any restrictions you may face.

Mounting the camera on your wall of ceiling

1. Once you have chosen the best position for the camera, switch the power to the camera off, and unplug the power lead from the camera.
2. When mounting the HD420 Hi-Res Camera to your ceiling, please ensure that you use the camera mounting holes for the stand at the top of the camera, otherwise you will find that your pictures are displayed upside down. (see picture)
3. Hold the camera base in the position you wish to fix it, and mark the holes with an appropriate pen or pencil. Once this is done, remove the stand and drill a hole with the appropriate drill bit for the material you are mounting your camera to and the screws you are using.
4. Run the camera cable back to the TV/VCR, any holes that you drill need to be at least 14mm in diameter to allow the connectors to pass through.
5. Reconnect the power lead to the camera and switch the camera power back on.



Important information

1. The best viewing angle is achieved by placing the camera in a position where it is looking down on the subject.
Please note: the video cable will limit your ability to mount the camera on a wall.
2. Test the picture produced by the camera before fixing it in to a location. You may need to experiment with placing the camera at different locations and angles at different times of the day to ensure that optimal picture quality is obtained.
3. The camera must NOT be placed where it looks directly into the sun or any other bright light source as this will not only result in a poor image, but will eventually damage the electronics of the camera.
4. Areas with a high degree of contrast in light levels may require re-positioning of the camera or adjustment of the controls to obtain the best image.
5. Best results will be obtained where there is a reasonable amount of light, preferably from behind the camera.
IMPORTANT: For night-time use or when situated in a dimly-lit environment the camera requires the aid of suitable additional lighting to ensure a clear picture is achieved. Swann recommends the use of a movement activated floodlight to provide illumination at night, and when available light is poor.
6. The Swann HD420 can help you monitor your child while playing or sleeping, but it is not a substitute for correct parental supervision. This product should not be used to prevent or monitor any medical conditions. Monitoring of premature babies, or babies considered to be at risk, should be carried out only under the supervision of a doctor or health professional.
7. This camera does not support Auto Iris lenses.