

WHELEN[®]

ENGINEERING COMPANY INC.

Route 145, Winthrop Road,
Chester, Connecticut 06412

Phone: (860) 526-9504

Fax: (860) 526-4078

Internet: www.whelen.com

Sales e-mail: autosale@whelen.com

Canadian Sales e-mail: autocan@whelen.com

Customer Service e-mail: custserv@whelen.com

Installation Manual: LED Strip-Lite™ Series

Safety First

This document provides all the necessary information to allow your Whelen product to be properly and safely installed. Before beginning the installation and/or operation of your new product, the installation technician and operator must read this manual completely. Important information is contained herein that could prevent serious injury or damage.

- **Proper installation of this product requires the installer to have a good understanding of automotive electronics, systems and procedures.**
- **If mounting this product requires drilling holes, the installer MUST be sure that no vehicle components or other vital parts could be damaged by the drilling process. Check both sides of the mounting surface before drilling begins. Also de-burr any holes and remove any metal shards or remnants. Install grommets into all wire passage holes.**
- **If this manual states that this product may be mounted with tape or Velcro™, clean the mounting surface with a 50/50 mix of isopropyl alcohol and water and dry thoroughly.**
- **Do not install this product or route any wires in the deployment area of your air bag. Equipment mounted or located in the air bag deployment area will damage or reduce the effectiveness of the air bag, or become a projectile that could cause serious personal injury or death. Refer to your vehicle owners manual for the air bag deployment area. The User/Installer assumes full responsibility to determine proper mounting location, based on providing ultimate safety to all passengers inside the vehicle.**
- **For this product to operate at optimum efficiency, a good electrical connection to chassis ground must be made. The recommended procedure requires the product ground wire to be connected directly to the NEGATIVE (-) battery post.**
- **If this product uses a remote device to activate or control this product, make sure that this control is located in an area that allows both the vehicle and the control to be operated safely in any driving condition.**
- **Do not attempt to activate or control this device in a hazardous driving situation.**
- **This product contains either strobe light(s), halogen light(s), high-intensity LEDs or a combination of these lights. Do not stare directly into these lights. Momentary blindness and/or eye damage could result.**
- **Use only soap and water to clean the outer lens. Use of other chemicals could result in premature lens cracking (crazing) and discoloration. Lenses in this condition have significantly reduced effectiveness and should be replaced immediately. Inspect and operate this product regularly to confirm its proper operation and mounting condition. Do not use a pressure washer to clean this product.**
- **It is recommended that these instructions be stored in a safe place and referred to when performing maintenance and/or reinstallation of this product.**
- **FAILURE TO FOLLOW THESE SAFETY PRECAUTIONS AND INSTRUCTIONS COULD RESULT IN DAMAGE TO THE PRODUCT OR VEHICLE AND/OR SERIOUS INJURY TO YOU AND YOUR PASSENGERS!**

For warranty information regarding this product, visit www.whelen.com/warranty

	Compartment Light	Warning or Flasher Light	Brake-Tail-Turn	Brake-Tail-Turn (Amber Turn)	Tank Fluid Level
Input Voltage	12VDC	12VDC	12VDC	12VDC	12VDC
Input Current	48 LED - 350 mA 96 LED - 650 mA 06 LED - .525Amps 03 LED - .260 Amps	175 mA	Brake - 500 mA Tail - 500 mA	Brake - 150 mA Tail - 40 mA Turn - 225 mA	Green - 100 mA Blue - 100 mA Yellow - 75 mA Red - 100 mA
Default	Steady Burn	SignalAlert™	SignalAlert™ Brake	SignalAlert™ Brake	180 SFPM
Wiring	Wht - +24VDC Blk/Wht - Ground or Wht - +12VDC Black - Ground Wht/Vio - Scan-Lock™ 48 & 96 LED only	LED Color - +12VDC Black - Chassis Ground Wht/Vio - Scan-Lock™	Yellow - Brake / +12VDC Brown - Taillight / +12VDC White - Chassis Ground	Red - Brake / +12VDC Brown - Taillight / +12VDC Yellow - Left Turn / +12VDC Green - Right Turn / +12VDC White - Chassis Ground	LED Color Grn - Green +12VDC Blu - Blue +12VDC Yel - Yellow +12VDC Red - Red +12VDC Black - Ground

Mounting:

Drill mounting holes so the wire hole (located very close to the mounting hole in the lighthouse) will line up with the wires, but not interfere with the mounting holes.

1. Mark the location of the 2 mounting holes onto the mounting surface using the dimensions shown, or remove the lens and use it as a template. Always check behind the mounting surface to be sure you will not harm other vehicle components.
2. Drill the 2 mounting holes using a drill sized for a #6 sheet metal screw, then drill the 9/32" wire access hole 5/16" away from the mounting hole.
3. Feed wires through wire hole then secure StripLite™ to mounting surface with the supplied hardware.

Scan-Lock™ - white/violet

(Not available with all models)

CHANGE PATTERNS: To cycle forward to the next pattern, apply +12 volts to the WHITE/VIOLET wire for less than 1 second and release. To cycle back to the previous pattern apply +12 volts to the WHT/VIO wire for more than 1 second and release.

CHANGE THE DEFAULT PATTERN: When the desired pattern is displayed, allow it to run for more than 5 seconds. The lighthouse will now display this pattern when initially activated.

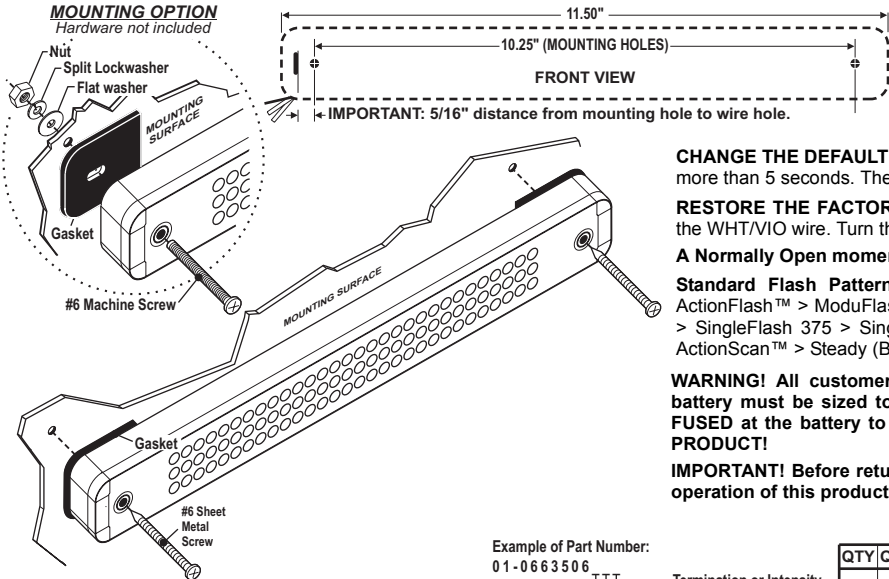
RESTORE THE FACTORY DEFAULT PATTERN: With the lighthouse off, apply +12 volts to the WHT/VIO wire. Turn the lighthouse on. The factory default pattern will now be displayed.

A Normally Open momentary switch can be used to control Scan-Lock™ operation.

Standard Flash Patterns: DoubleFlash 150 > DoubleFlash 75 > CometFlash® 75 > ActionFlash™ > ModuFlash™ > SignalAlert™ 150 > SignalAlert™ 75 > SignalAlert™ Steady > SingleFlash 375 > SingleFlash 15 > SingleFlash 75 > ComAlert™ > ActionScan™ > Steady (Brake) **B-T-T Patterns:** SignalAlert™ Steady > Steady (Brake)

WARNING! All customer supplied wires that connect to the positive terminal of the battery must be sized to supply at least 125% of the maximum operating current and FUSED at the battery to carry the load. **DO NOT USE CIRCUIT BREAKERS WITH THIS PRODUCT!**

IMPORTANT! Before returning this vehicle to active service, visually confirm the proper operation of this product, as well as all vehicle components/equipment.



Strip-Lite™ Tank Fluid Light

QTY	ITEM	PART NUMBER	DESCRIPTION
*	01-0663612-00	ASSY / LED TANK FLUID LEVEL LT	
2	25	15-061416-200	SCREW / #6 X 1 1/4" PPHSMS
1	26	68-3963453-30	LENS / NON OPTIC - CLEAR
1	27	01-0263612-00	SUB ASSY / LED TANK FLUID LEVEL LT
2	28	38-0142889-00	GASKET

Example of Part Number:
01-0663506

STYLE

0 = STEADY 5 = FLASHER B = B-T-T (MAX)
M = B/T/T (w/Amber Turn) N = STEADY / 24VOLT

LED/LENS COLOR

A = AMBER/AMBER B = BLUE/BLUE C = WHITE/CLEAR
G = GREEN/GREEN R = RED/RED 1 = AMBER/CLEAR
2 = BLUE/CLEAR 4 = GREEN/CLEAR 5 = RED/CLEAR
K = RED/AMB/CLR

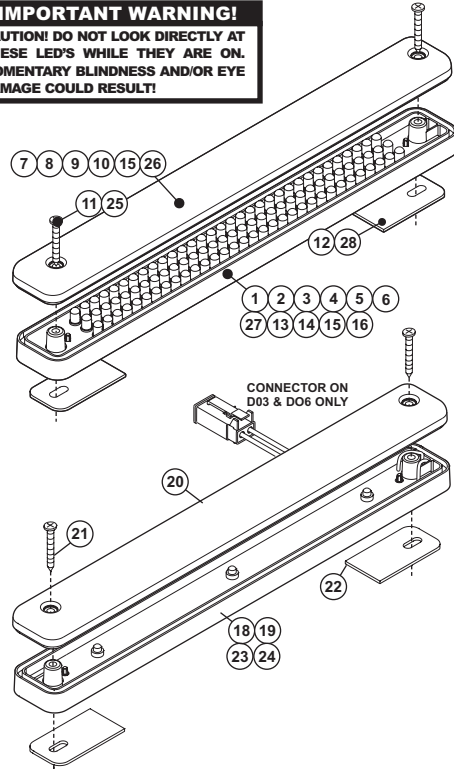
INTENSITY

4 = 48 LEDs 9 = 96 LEDs

TERMINATION

0 = NONE

IMPORTANT WARNING!
CAUTION! DO NOT LOOK DIRECTLY AT THESE LED'S WHILE THEY ARE ON. MOMENTARY BLINDNESS AND/OR EYE DAMAGE COULD RESULT!



Strip-Lite™ Compartment Light

QTY	QTY	QTY	QTY	ITEM	PART NUMBER	DESCRIPTION
			*		01-0664962-03	3LED STRIP LT / COMP.
		*			01-0664962D03	6LED STRIP LT / COMP / Not Shown
	*				01-0664962-06	3LED STRIP LT / COMP. / DEUT.
*					01-0664962D06	6LED STRIP LT / COMP / DEUT. / Not Shown
-	-	-	1	18	01-0264961-03	SUB ASSY / 3LED STRIP LT / COMP
-	-	1	-	19	01-0264961-06	SUB ASSY / 6LED STRIP LT / COMP
1	1	1	1	20	68-3984778-30	LENS / CLEAR COMP. / STRIP LIGHT
2	2	2	2	21	15-061416-200	SCREW / #6 X 1 1/4" PPHSMS
2	2	2	2	22	38-0142889-00	GASKET
-	1	-	-	23	01-0264961D03	SUB ASSY / 3LED STRIP LT / COMP. / DEUT.
1	-	-	-	24	01-0264961D06	SUB ASSY / 6LED STRIP LT / COMP. / DEUT.

Strip-Lite™ Steady / Flasher / BTT

QTY	QTY	QTY	QTY	QTY	QTY	QTY	QTY	QTY	QTY	QTY	ITEM	PART NUMBER	DESCRIPTION
									*			01-06635060C4	LED STRIP LT / STEADY / WHITE / 48 LEDs
									*			01-06635060C9	LED STRIP LT / STEADY / WHITE / 96 LEDs
									*			01-06635065B0	LED STRIP LT / FLASHER / BLUE
									*			01-06635065C0	LED STRIP LT / FLASHER / WHITE
									*			01-06635065G0	LED STRIP LT / FLASHER - GREEN
									*			01-0663506BR0	LED STRIP LT / B-T-T - RED
									*			01-06635065A0	LED STRIP LT / FLASHER - AMBER
									*			01-06635065R0	LED STRIP LT / FLASHER - RED
	*											01-0663506MK0	LED STRIP LT / B-T-T with AMB TURN
*												01-0663506NC9	LED STRIP LT / STEADY / WHT 24V / 96LEDs
-	-	-	-	-	-	-	-	1	-	-	1	01-0263505-25	SUB ASSY / LED STRIP / FLASHER / BLUE
-	-	-	-	-	-	-	-	1	-	-	2	01-0263505-34	SUB ASSY / LED STRIP / STDY-WHT / 48 LEDs
-	-	-	-	-	-	-	-	1	-	-	3	01-0263505-35	SUB ASSY / LED STRIP / FLASHER-WHT
-	-	-	-	-	-	-	-	1	-	-	4	01-0263505-39	SUB ASSY / LED STRIP / STDY-WHT / 96 LEDs
-	-	-	-	-	-	-	-	1	-	-	5	01-0263505-45	SUB ASSY / LED STRIP / FLASHER - GREEN
-	-	-	-	-	-	-	-	1	-	-	6	01-0263505-5B	SUB ASSY / LED STRIP / B-T-T / RED
-	-	-	-	-	-	-	-	1	-	-	7	68-3963453-20	LENS / NON OPTIC - BLUE
1	1	-	-	-	-	-	-	1	-	1	8	68-3963453-30	LENS / NON OPTIC / CLEAR
-	-	-	-	-	-	-	-	1	-	-	9	68-3963453-40	LENS / NON OPTIC / GREEN
-	-	1	-	-	-	-	-	1	-	-	10	68-3963453-50	LENS / NON OPTIC / RED
2	2	2	2	2	2	2	2	2	2	2	11	15-061416-200	SCREW / #6 X 1 1/4" PPHSMS
2	2	2	2	2	2	2	2	2	2	2	12	38-0142889-00	GASKET
-	-	-	1	-	-	-	-	-	-	-	13	01-0263505-15	SUB ASSY / LED STRIP / FLASHER / AMBER
-	-	-	1	-	-	-	-	-	-	-	14	01-0263505-55	SUB ASSY / LED STRIP / FLASHER - RED
-	-	-	1	-	-	-	-	-	-	-	15	68-3963453-10	LENS / NON OPTIC / AMBER
-	1	-	-	-	-	-	-	-	-	-	16	01-0263505-KM	SUB ASSY / LED STRIP B/T/T: AMB / TURN
1	-	-	-	-	-	-	-	-	-	-	17	01-0263505239	SUB AS. / LED STRIP STDY / WHT / 96 LEDs / 24V