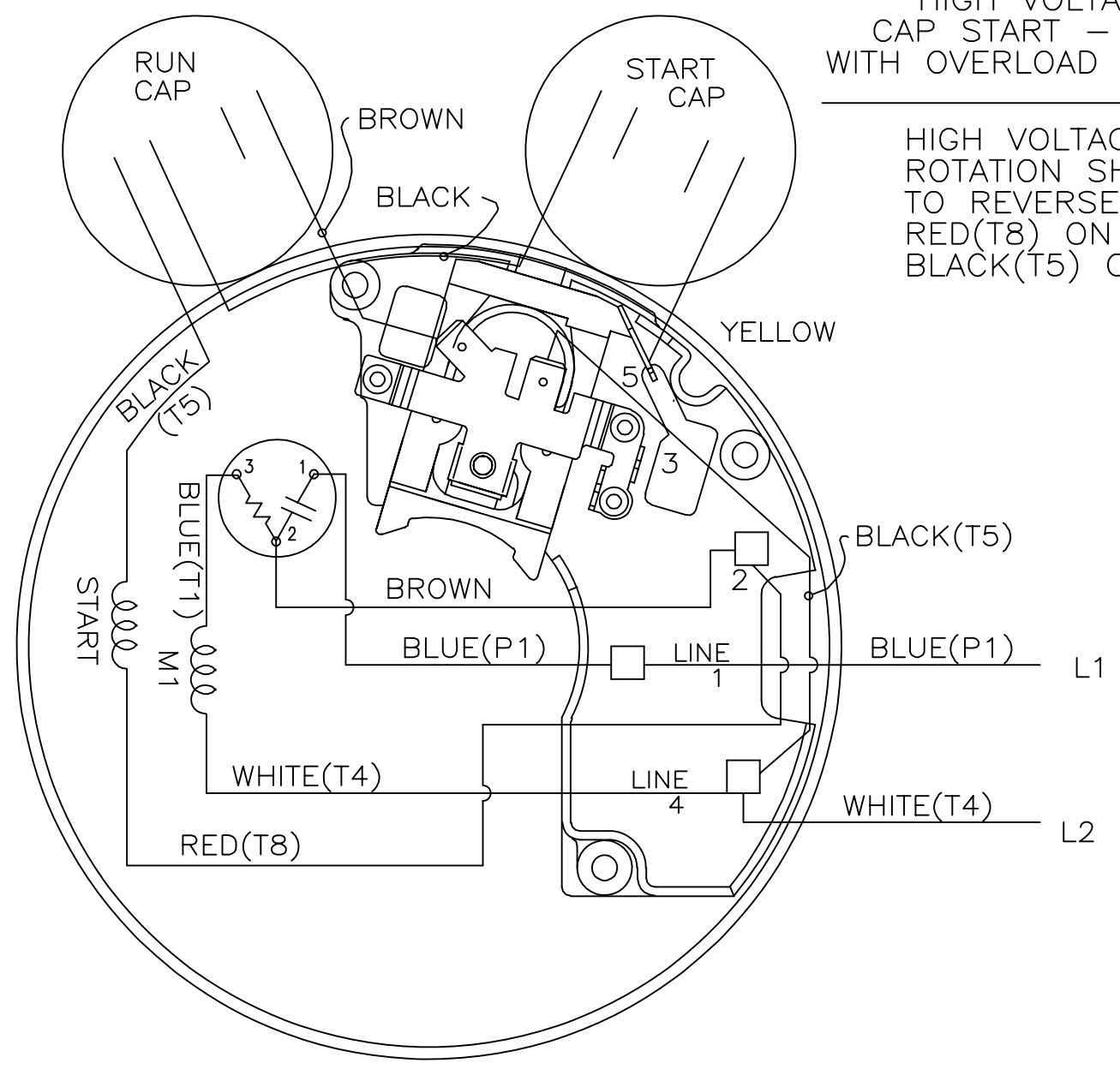
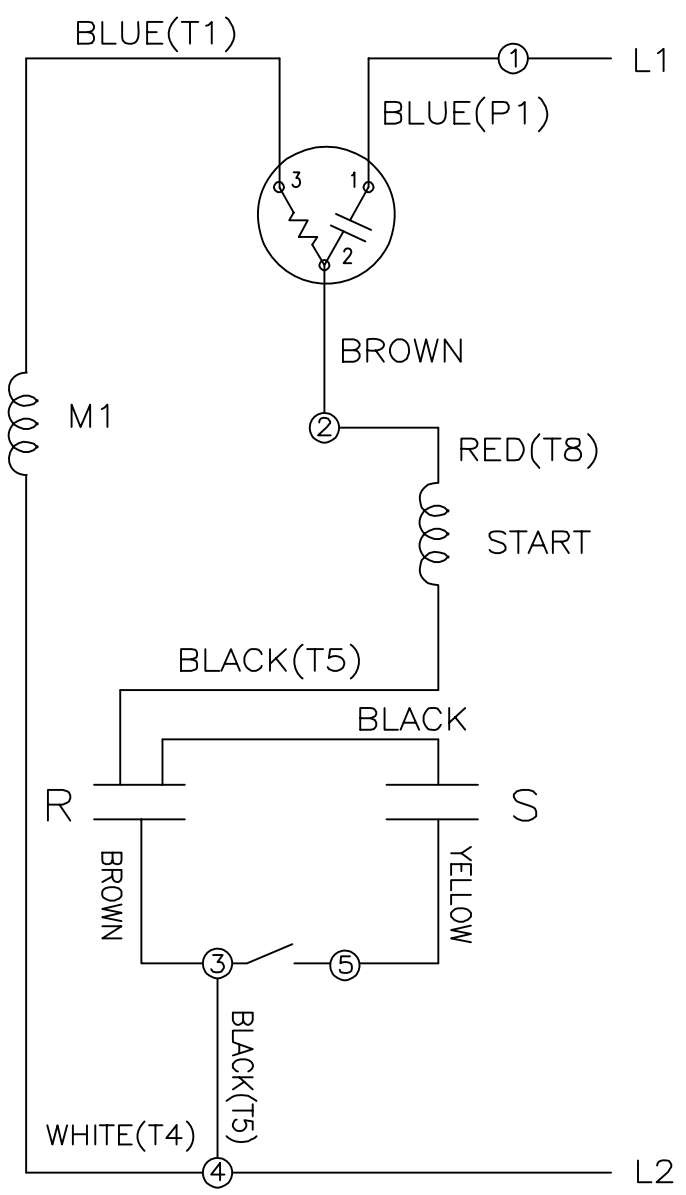


102006-14LE

HIGH VOLTAGE - CCW

HIGH VOLTAGE
CAP START - CAP RUN
WITH OVERLOAD - SELECT ROT.

HIGH VOLTAGE CCW
ROTATION SHOWN
TO REVERSE INTERCHANGE
RED(T8) ON TERM. 2 WITH
BLACK(T5) ON TERM. 4



NOTE: USE P AND T TERMNALS WHEN CALLED IN BOM

		TOLERANCES UNLESS SPECIFIED		LEESON	ELECTRIC MOTORS GEARMOTORS AND DRIVES	DRAWN RWR 04/02/2004
		DEC.	INCHES			CHK ML 04/02/2004
		.X	±.1	TITLE CONNECTION DIAGRAM		APPD JET 04/02/2004
		.XX	±.03			SCALE 5=8
		.XXX	±.005			REF MU50225
B	ADDED P AND T TERMINALS	PST 2/20/2014	SKM .XXXX ±.0005	MAT'L.		FMF
NO.	REVISION	BY & DATE	CHK ANG ±7'30"	FINISH		PREV
THIS DRAWING IN DESIGN AND DETAIL IS OUR PROPERTY AND MUST NOT BE USED EXCEPT IN CONNECTION WITH OUR WORK ALL RIGHTS OF DESIGN AND INVENTION ARE RESERVED THIS IS AN ELECTRONICALLY GENERATED DOCUMENT - DO NOT SCALE THIS PRINT			RFP	CAD FILE 102006_14LE	SIZE A	DRAWING NO. PAGE 1 OF 1 REV.
			DIST WP-LE			102006-14LE