



A Regal Brand

Northern Tool

Catalog # : 116514.00

Model: M6C17FB147D

Product Type: AC MOTOR

Stock: Non Stock

Description: 1HP..1725RPM.56.TEFC./V.1PH.60HZ.CONT.MANUAL.40C.1.15SF.RIGID..M6C17FB147C

Quote: Price:

Date: 05/05/2014



A Regal Brand

Northern Tool

Catalog # : 116514.00

Model: M6C17FB147D

Product Type: AC MOTOR

Stock: Non Stock

Description: 1HP..1725RPM.56.TEFC./V.1PH.60HZ.CONT.MANUAL.40C.1.15SF.RIGID..M6C17FB147C

Engineering Data

Volts	115	Volts	208-230	Volts	
F.L. Amps	12.8	F.L. Amps	6.4	F.L. Amps	
S. F Amps	13.6	S. F Amps	6.8	S. F Amps	

RPM	1800	Hertz	60	TYPE	CF
HP	1	Duty	CONTINUOUS	Phase	1
KW	0.75	Serv. Factor	1.15	Code	K
Frame	56	Design	L	Therm.Prot.	CEJ53CB
Max Amb	40	Protection	MANUAL	PF	68
Insul Class	B	Eff 75%		Bearing OPE	6203
Eff 100%	75	CSA	Yes	Bearing PE	6203
UL	Y-(LEESON UL REC)	CE	No	Speed Range	NONE
CC Number	EXEMPT	Inverter Type			

Motor Wt.	32 LB	Enclosure	TEFC	Lubrication	POLYREX EM
Nameplate	993500	Mounting	RIGID	Rotation	SELECTIVE CW
Assembly	NONE	Shaft Dia.	5/8 IN	Ext. Diag.	005003.03
Cust Part No		Outline	OL116514-650	Ext. Diag2	
Packaging	B	Outline Dash No		Winding	C634256
Carton Label	INDIVIDUAL - CUST PART NO	Paint	STANDARD	GROUP :	3
Iris				Test Card	01

Form Factor		RMS Amps		Const TorqueSpeed Range	
Torque		Peak			
AB Code		Peak@DegC			
Resistance					
Connection					

Rework Status	Rework TYPE
---------------	-------------

Hazardous Loc
Explosion Proof
Class
Class

NONE

Temp Op Code
GROUP
GROUP

Brake Motors
FORCE
VDC
ADC

Brake Coil OHMs @25 C

Performance						
Torque UOM	LB-FT		Inertia (WK ²)	0		
Torque	3(Full Load)		7(Break Down)	6.7(Pull Up)	9(Locked Rotor)	
CURRENT (amps)	6.4(Full Load)		0(Break Down)	0(Pull Up)	33(Locked Rotor)	
Efficiency (%)	0(Full Load)		72.8(75% Load)	69.7(50% Load)	56(25% Load)	
PowerFactor	0(Full Load)		58(75% Load)	45.6(50% Load)	31.1(25% Load)	

Load Curve Data @60 HzVolts,1Horsepower

Load	Amps	KW	RPM	Torque	Eff	PF	Rise By Resis	Frame Rise
0.0	4.6	0.148	1798	0.0	0.0	14.0	0.0	-
0.25	4.76	0.34	1786	0.75	56.0	31.1	0.0	-
0.5	5.17	0.542	1774	1.5	69.7	45.6	0.0	-
0.75	5.8	0.774	1762	2.25	72.8	58.0	0.0	-
1.0	6.42	0.993	1747	3.0	75.0	67.2	73.0	50.0
1.15	6.85	1.135	1737	3.45	75.0	72.0	0.0	-
1.25	7.56	1.271	1728	3.75	72.4	73.1	0.0	-
1.5	8.82	1.552	1708	4.5	70.3	76.5	0.0	-

SOURCE: CALCULATED GROUP: 3

Load Curve Data @60HzVolts,1Horsepower

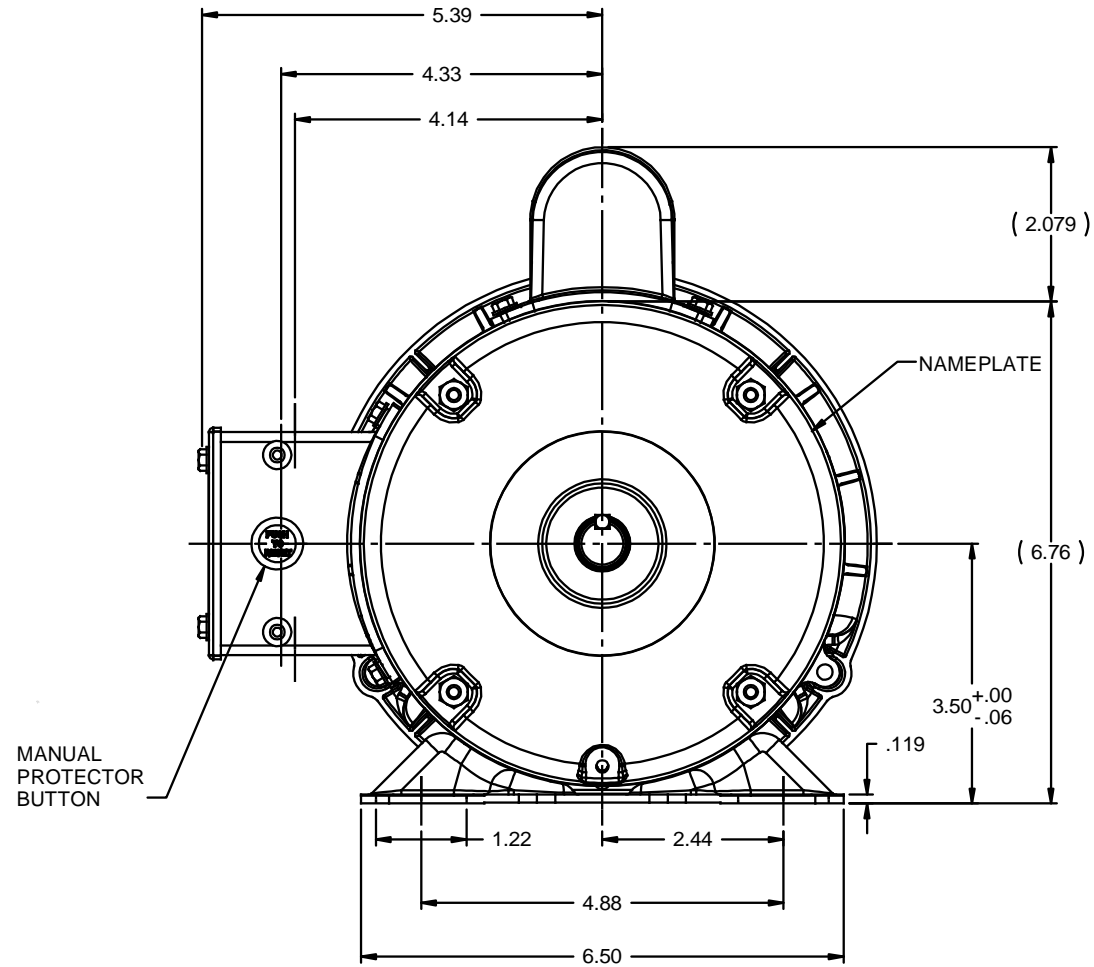
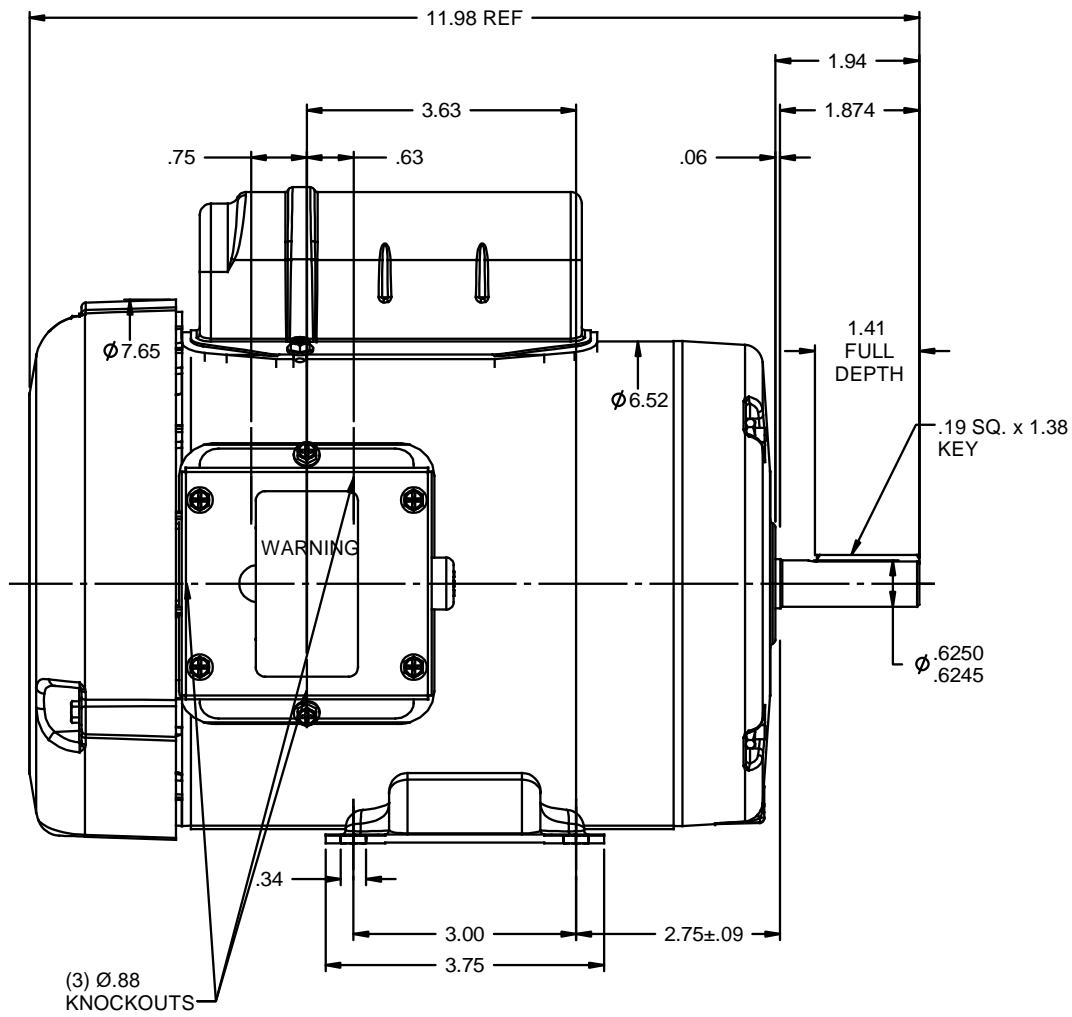
Load	Amps	KW	RPM	Torque	Eff	PF	Rise By Resis	Frame Rise
------	------	----	-----	--------	-----	----	---------------	------------

Load Curve Data Not Available

Quote: Price:

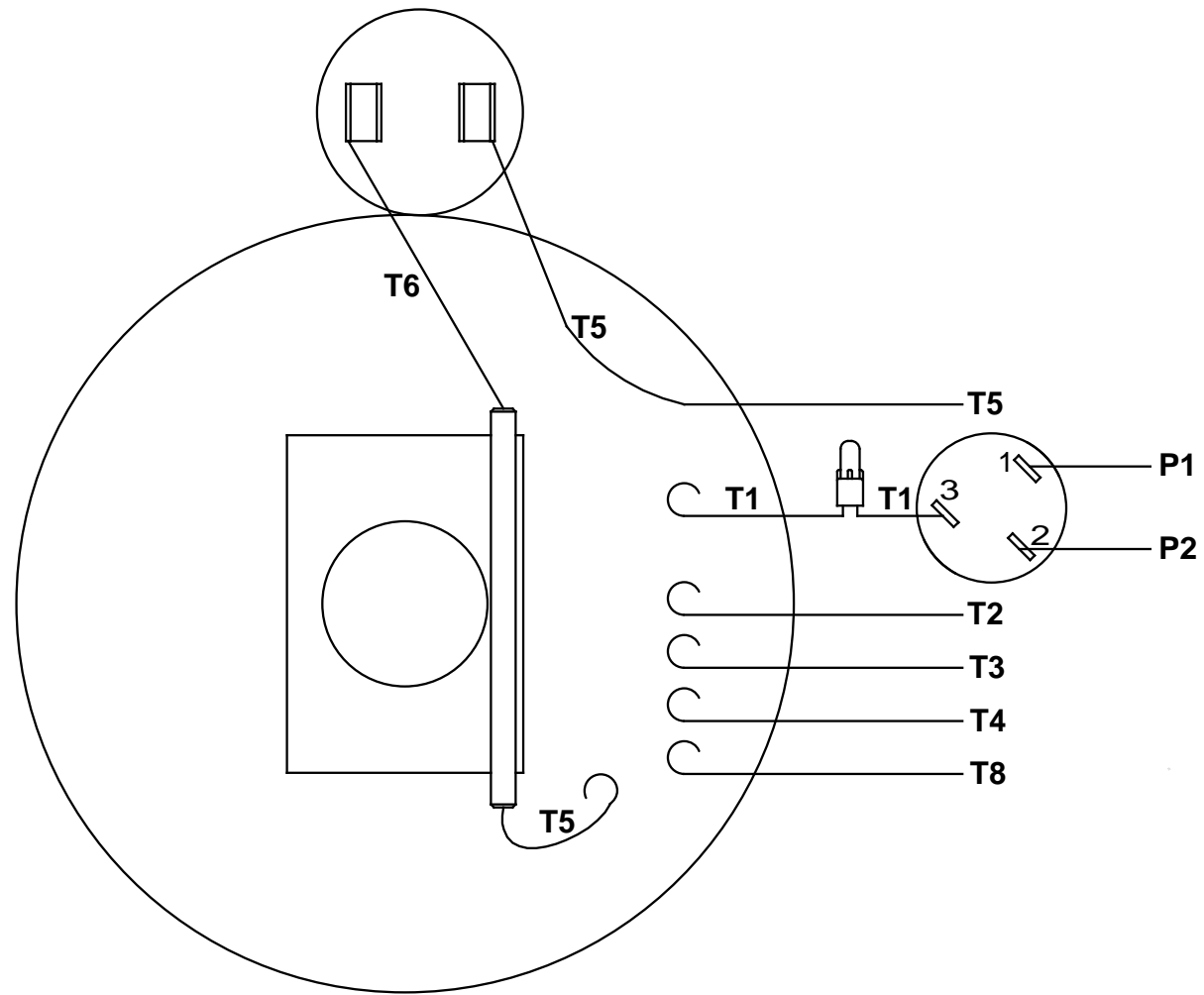
Date: 05/05/2014

RBC PROPRIETARY AND CONFIDENTIAL INFORMATION
 This document is the property of REGAL BELOIT CORPORATION ("RBC") including its subsidiaries and divisions and contains proprietary information of RBC. This document is loaned on the express condition that neither it nor the information contained therein shall be disclosed to others without the express written consent of RBC, and that the information shall be used by the recipient only as approved expressly by RBC. This document shall be returned to RBC upon its request. This document may be subject to certain restrictions under U.S. export control laws and regulations.

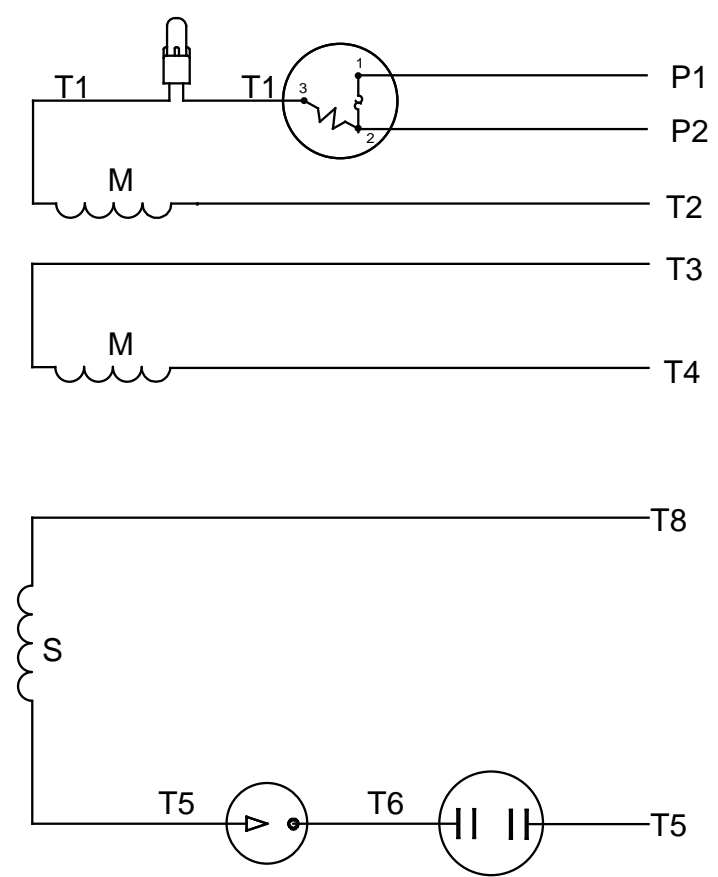


		TOLERANCES UNLESS SPECIFIED		LEESON ELECTRIC MOTORS GEARMOTORS AND DRIVES	DRAWN DJ 04/13/10			
		DEC	INCHES		CHK DJ 04/13/10			
		X	±.1	TITLE OUTLINE - 56 FRAME TEFC - RIGID	APPR			
		.XX	±.03		SCALE 1:2			
		.XXX	±.005		REF OL116514.00			
01	CHANGED TO 56 REDESIGN	DJ	04/13/10	DJ	XXX ±.0005	MATL	FMF 116514.00	
NO	REVISION	BY & DATE	CHK	ANG	±1/2°	FINISH GENERAL PURPOSE	PAGE OF	
THIRD ANGLE PROJECTION				RFP	PREV	SIZE	DRAWING NO	REV
				NETWORK FILE NAME	OL116514	B	OL116514	01

VIEW FROM OUTSIDE OF MOTOR AT SWITCH END



LINE LEADS



	ROTATION FACING LEAD END	L1	L2	JOIN	INSULATE SEPARATELY
HIGH VOLT	C.C.W.	P1	T4 T5	T2,T3 T8	P2
	C.W.	P1	T4 T8	T2,T3 T5	P2
LOW VOLT	C.C.W.	P1	T2,T4 T5	P2,T3 T8	---
	C.W.	P1	T2,T4 T8	P2,T3 T5	---

RBC PROPRIETARY AND CONFIDENTIAL INFORMATION
 This document is the property of REGAL BELOIT CORPORATION ("RBC") including its subsidiaries and divisions and contains proprietary information of RBC. This document is loaned on the express condition that neither it nor the information contained therein shall be disclosed to others without the express written consent of RBC, and that the information shall be used by the recipient only as approved expressly by RBC. This document shall be returned to RBC upon its request. This document may be subject to certain restrictions under U.S. export control laws and regulations.

		TOLERANCES UNLESS SPECIFIED		ELECTRIC MOTORS GEARMOTORS AND DRIVES	DRAWN WLW 08/20/79 CHK ADN 08/27/76 APPR WRK 08/27/76
		DEC	INCHES		TITLE EXTERNAL WIRING DIAGRAM TYPE "C" W/PROTECTOR
		.X	±.1	MAT'L DECAL - 004011	REF
		.XX	±.01	FINISH	FMP
06	REDRAWN IN SOLIDWORKS	VJB 7/22/2011	.XXX	±.005	PAGE
05	REDRAWN ON CAD	DBT 05/27/97	.XXXX	±.0005	OF
NO	REVISION	BY & DATE	CHK	ANG ±1/2°	
THIRD ANGLE PROJECTION		RFP	PREV	SIZE	DRAWING NO
		NETWORK FILE NAME 00500303		A	005003-03
					REV
					06