

159654



REELCRAFT INDUSTRIES, INC.  
P.O. Box 248 • One Reelcraft Center •  
Columbia City, Indiana 46725  
260-248-8188  
1-800-444-3134  
Fax: 260-248-2605

# HOSE REEL

## OPERATING INSTRUCTIONS & PARTS LIST

### MODELS

#### LOW -MEDIUM-HIGH PRESSURE

- 5605 OLP
- 5605 OMP
- 5405 OHP
- 5650 OLP
- 5435 OHP

### SAFETY

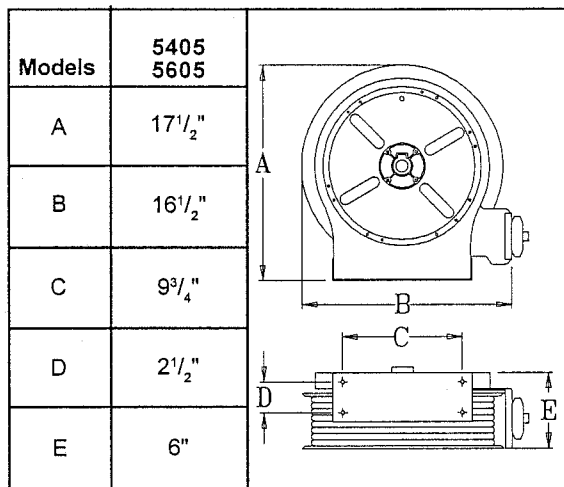
- I. Do not use reels at higher pressures or temperatures than listed on the back of this bulletin.
- II. Remove all spring tension before beginning disassembly process.

## LIMITED WARRANTY

Reelcraft affirms its product confidence with the following warranty.

All products manufactured by Reelcraft Industries, Inc. are warranted to be free of defects in material and workmanship for 12 months from the date of shipment, except hose. Reelcraft's liability shall be limited to repair or replacement of defective material within the warranty period when returned freight prepaid to its plant or to a service depot designated by Reelcraft.

The warranty does not cover damage caused by accident, abuse or faulty installation. Reelcraft products must be installed and maintained in compliance with the manual of instructions furnished with each reel.



Four 5/16" Mounting holes.

## INSTRUCTIONS

### Installation:

A flexible hose connection must be used between the hose reel inlet and the source of supply to prevent possible misalignment and binding.

The hose reel is equipped with a universal mounting bracket so that it can be mounted on the floor, wall or ceiling; whichever place is convenient. The hose guide arm can be moved to the position desired by removing the screws fastening the guide bracket to the reel base. Shift the guide arm bracket so the hose comes off the reel at the desired position and replace the screws.

### Lubrication:

Hose reel spring and bearings are factory lubricated and require no further lubrication.

### Replacing Hose:

1. Wind spool flange clockwise-facing swivel-until spring is tight.
2. Back off three turns and latch.
3. Insert hose through roller guide and hole in spool flange.
4. Connect hose fitting to swivel joint and secure hose with clamps.

### Adjustments:

To adjust spring tension, add or remove wraps of hose from the spool, one wrap at a time until desired tension is obtained.

### Repairs:

Extensive repairs should be performed only by an authorized serviceman or factory to avoid damage which may void your warranty. Remove all spring tension before beginning disassembly process.

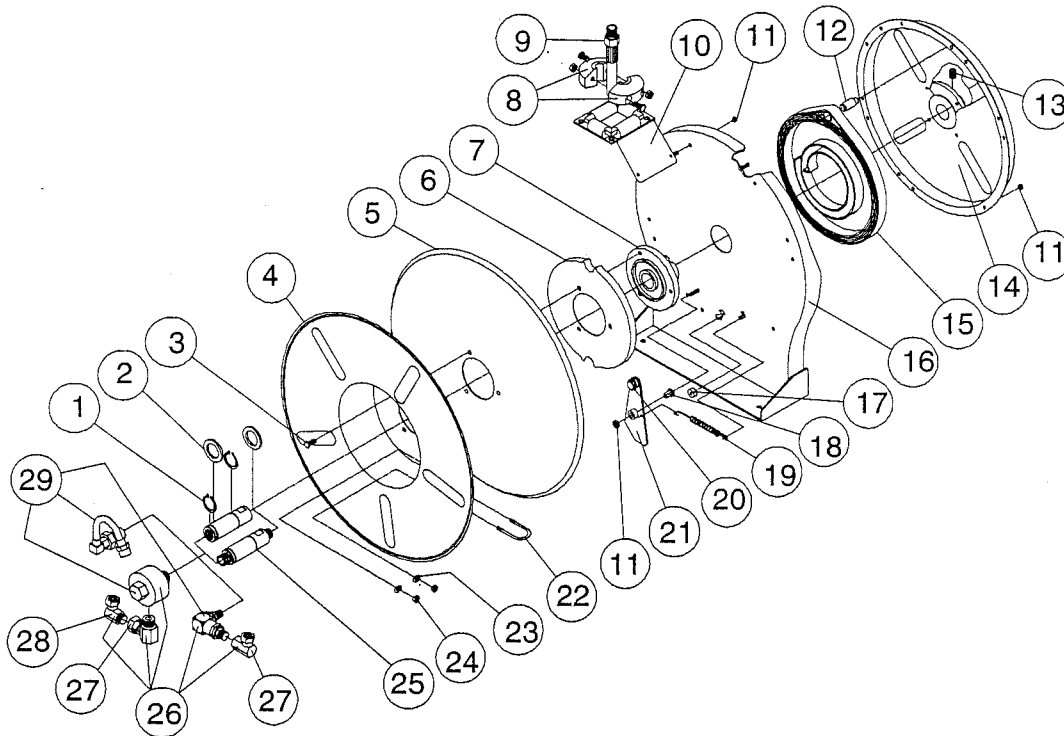
# Replacement Parts List

## MODELS-LOW- MEDIUM - HIGH PRESSURE

5605 OLP  
5650 OLP

5605 OMP

5405 OHP  
5435 OHP



ITEM #	PART NO.	NO. REQ.	DESCRIPTION	ITEM #	PART NO.	NO. REQ.	DESCRIPTION	ITEM #	PART NO.	NO. REQ.	DESCRIPTION
1	300031	2	1" Snap Ring	10	500107	1	Guide Arm Ass'y	17	400021	1	Latch Bumper
2	300034	3	Spacing Washer	11	300011	9	Hex Lock Nut	18	400012	1	Latch Bushing
3	S295-102	3	Hex Screw	12	261360	1	Spring Case Stud	19	400018	1	Latch Spring
4	260149	1	Reel Flange	13	300006	1	3/8-16 x 1/2" Set Screw	20	400020	1	O'Ring
5	260151	1	Sheave Disk	14	600094	1	Spring Case & Hub Ass'y	21	400109	1	Latch Plate Ass'y
6	500019	1	Latch Cam	15	600050	1	Drive Spring Ass'y	22	2-117440	1	U-Bolt Hose Clamp
7	260648	1	Spring Arbor	16	600029	1	Base Ass'y	24	300070	2	1/4-20 Nylock Nut

ITEM #	DESCRIPTION	NO. REQ.	MODEL 5605 OLP	MODEL 5650 OLP	MODEL 5605 OMP	MODEL 5405 OHP	MODEL 5435 OHP
8	Hose Bumper Ass'y	1	None	1-HR1004	None	None	1-HR1004
9	Hose Ass'y	1	None	601013-50	None	None	20-260044
23	Washer	2	None	None	300039	300039	300039
25	Main Shaft	1	400015	400015	500008	500015	500015
26	Swivel & Ell Ass'y	1	None	None	600358-1	600034	600034
27	90° Elbow	1	None	None	S257-72	S257-10	S257-10
28	90° Elbow	1	None	None	S257-25	None	None
29	Swivel Ass'y	1	600051	600051	600595-1	260042	260042

Hose I.D. & Length	None	3/8" x 50'	None	None	1/4" x 35'
Reel Inlet Connection	3/8" F.P.T.	3/8" F.P.T.	3/8" F.P.T.	1/4" F.P.T.	1/4" F.P.T.
Max. Operating Pressure	500 P.S.I.	300 P.S.I.	3000 P.S.I.	9000 P.S.I.	5000 P.S.I.
Max. Operating Temperature	210°F	150°F	210°F	210°F	210°F

### HOW TO ORDER REPLACEMENT PARTS

Please provide the following information:

- Model Number
- Serial Number
- Parts Description and Number as shown in Parts List

Address order to: Reelcraft Industries, Inc.  
One Reelcraft Center  
P.O. Box 248  
Columbia City, IN 46725

For assistance phone 260-248-8188