

J&D Manufacturing

IS183-09H

MEGA STORM 72" Fiberglass Exhaust Fan



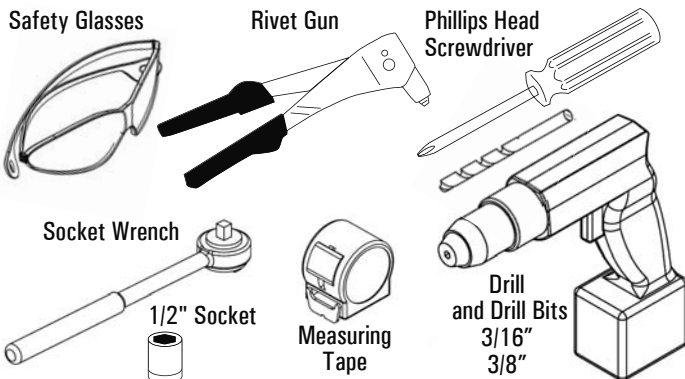
NOTE: Read ALL instructions over carefully before attempting to install the Mega Storm.

If you have any questions please call your local dealer or
J&D Manufacturing at: 1-800-998-2398.
Or visit our website at: www.jdmfg.com

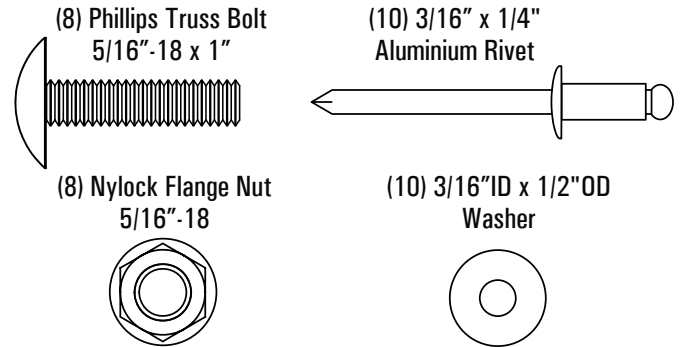
WARRANTY

J&D Mfg. warrants all products are free from defects in materials and workmanship under normal use for the period of one year from date of purchase and our warranty does not cover normal or regular wear and tear. J&D Mfg can repair or replace at our option, any product or part of the product that is found to be defective. Our warranty applies to materials only and does not include return freight, delivery, loss or damage to personal property, cost of removal or installation, any incidental or consequential damages or labor. This warranty does not apply to products which are misused, abused, altered, improperly installed or subject to negligence. All warranties must be approved through our warranty department. The original purchaser must present a copy of the invoice for the defective product. One year is our standard warranty unless specified on our literature or in the installation instructions/user manuals.

RECOMMENDED TOOLS FOR INSTALLATION AND ASSEMBLY (NOT PROVIDED)

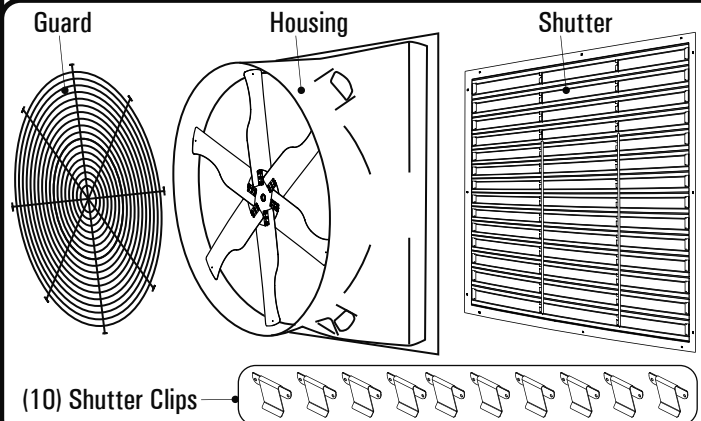


INCLUDED ASSEMBLY HARDWARE - TO SCALE

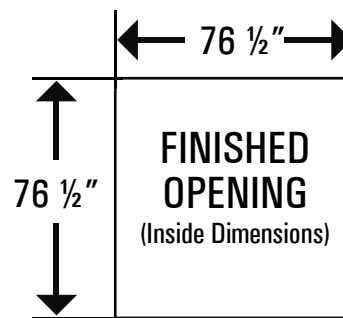


INSTALLATION HARDWARE IS NOT PROVIDED

PARTS LEGEND

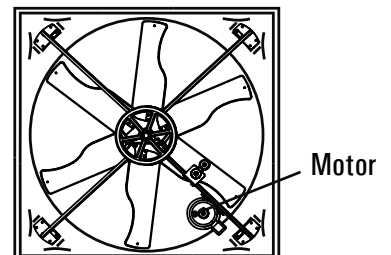


Construct structurally sound 76 1/2" square finished opening.



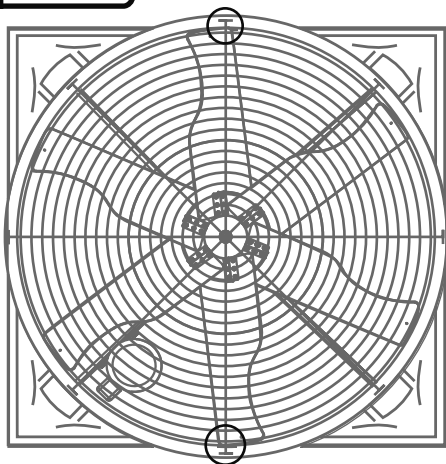
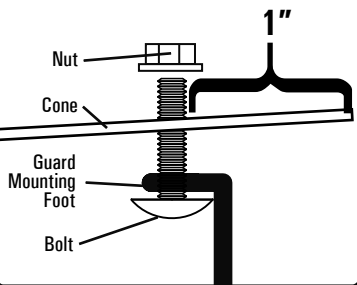
Correct orientation of fan. From the inlet side the motor will be located in the bottom right corner.

View from inlet side of fan



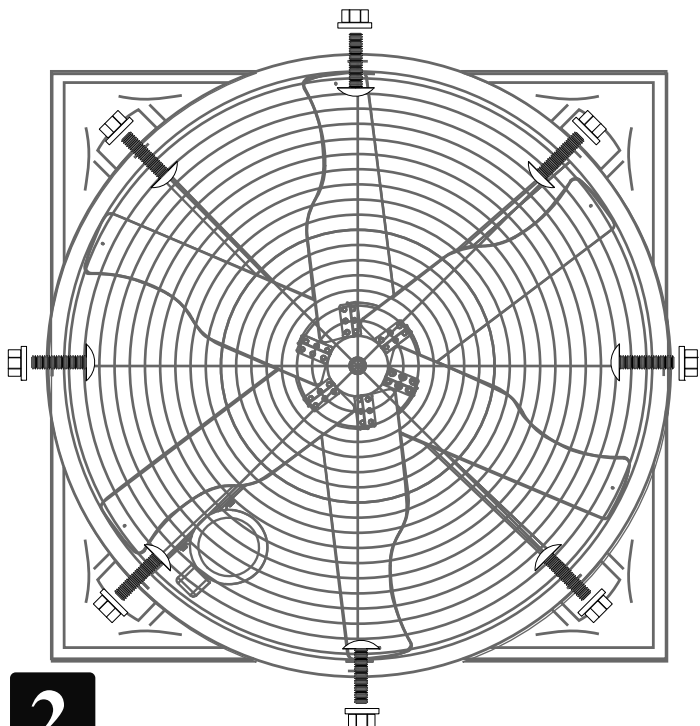
Using a 3/8" drill bit, drill a hole in the top of the venturi 1" from the edge. Place guard inside venturi opening and secure top of guard to top of venturi by inserting a 5/16" Phillips Truss Bolt through guard mounting foot, then through recently drilled hole in venturi. Secure with a 5/16" Nylock Nut. Do the same for the bottom guard mounting foot. Do not tighten nuts and bolts at this time.

Assembly Side View



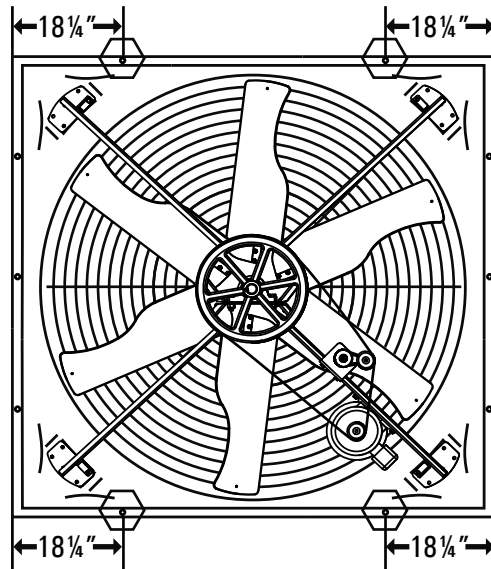
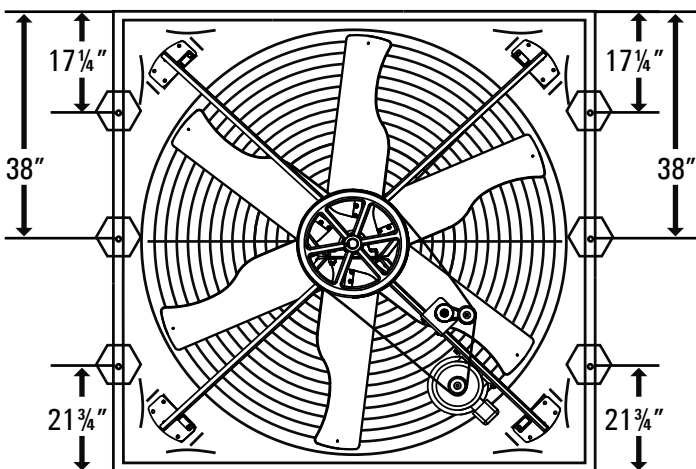
1

Mark all remaining guard footing locations 1" from venturi edge. Drill holes using 3/8" bit and insert bolts and nuts exactly as you did in step #1. Once all bolts and nuts are installed, go back and tighten each securely.



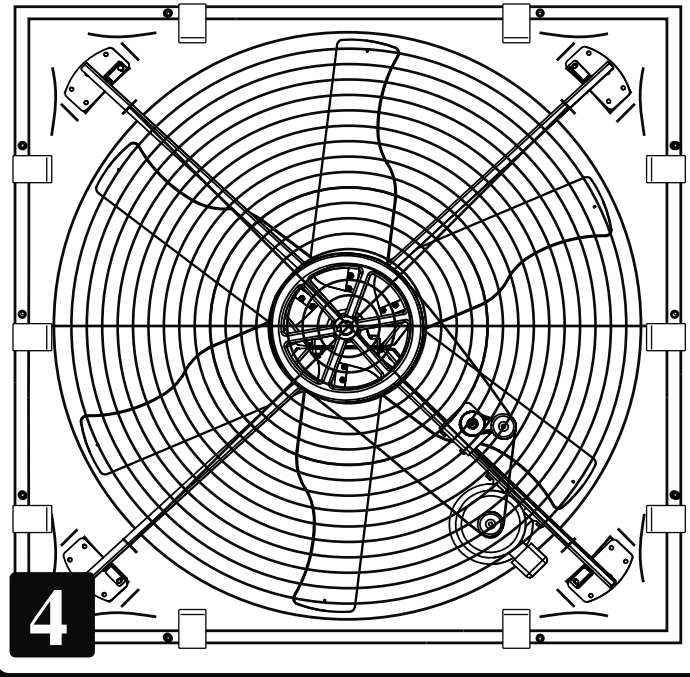
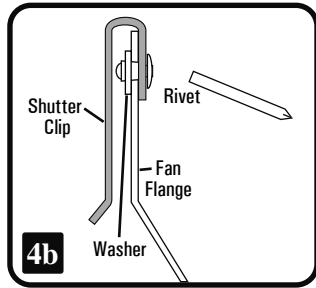
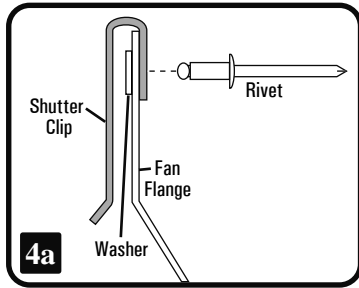
2

Using the measurements below and a 3/16" drill bit, drill a total of 10 holes in the housing flange 1/2" from the flange edge.

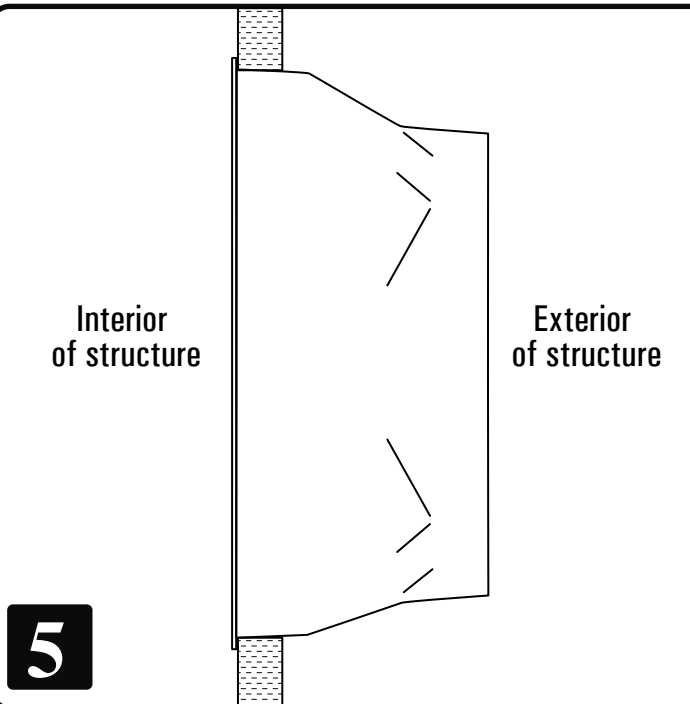


3

Attach all (10) shutter clips with a rivet gun using (10) 3/16" rivets and (10) 3/16" washers. Review the illustrations below for placement and assembly.



From the inside of your structure, rotate the fan housing until the motor is located in the lower right corner. Insert fan housing into the finished opening and secure to structure using suitable fasteners and washers (not included).



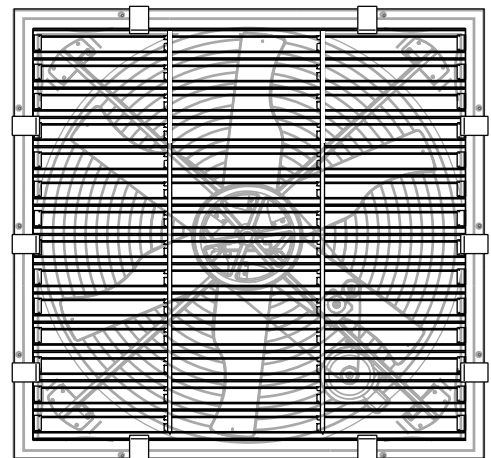
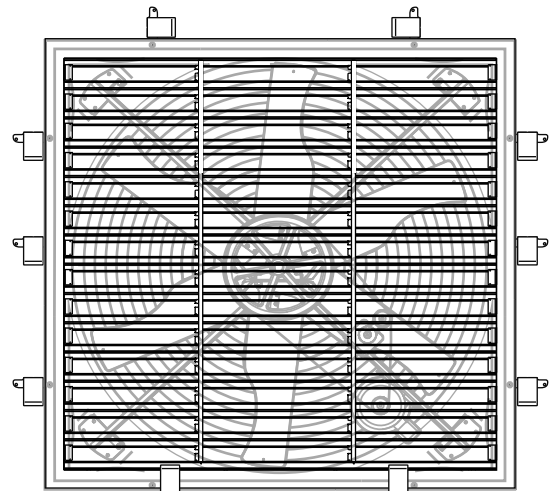
ALL ELECTRICAL WORK SHOULD BE COMPLETED BY QUALIFIED PERSONNEL AND MEET NATIONAL, REGIONAL AND LOCAL CODES

Connecting power to the unit.

- Install manual disconnect switch inside building adjacent to fan.
- Route wire to motor with drip loop and secure. Drip loop will drain accumulated moisture away from the motor.
- Configure internal wires to match supply voltage and wire according to motor nameplate. Test to verify correct rotation.
- Shut off manual disconnect for remainder of install. Only permit power to unit when shutter and guard is fully installed to prevent injury.

6

Swivel top and side shutter clips open. Set bottom shutter flange between housing flange and bottom shutter clips. Secure shutter by swiveling top and side shutter clips over shutter flange.



7