

E-200-#159477

Industrial Parts Cleaner Operator's Manual

I. Introduction

A. General Information

Read and understand all labels, MSDS, and this instruction manual before use.

The Industrial Parts Cleaner is an economical, safe, and innovative system designed to clean parts, using a mineral spirits based solvent.

Install your parts cleaner on a flat level surface in an area provided with adequate ventilation. Avoid repeated or prolonged breathing of vapors. Use of compressed air to dry parts may cause a high concentration of vapors in the immediate area. Local exhaust ventilation should be used in areas of high vapor concentration. Provisions for determining and maintaining adequate ventilation are the responsibility of the operator.

Do not allow the parts cleaner to operate unattended.

Make sure the parts cleaner is connected to a properly grounded 120 volt/60 HZ. Or 220VAC/50-60Hz electrical power supply, see serial number plate for proper voltage.

This equipment is designed for use with mineral spirits based solvents with a flash point greater than 38°C. (100.4°F.). Use only mineral spirits based solvents. Do not add any other chemicals to the cleaning solvent including, but not limited to, kerosene, fuel oil, gasoline, chlorinated solvents, or detergents. The use of any other solvents could potentially cause a hazardous condition.

Under certain conditions the solvent could burn. For your protection, a fusible link automatically closes the cover of the parts cleaner in the event that a fire occurs in the sink work area. The closed cover contains and smothers the fire inside the metal sink. Do not leave large objects in the parts cleaner or hang anything on the cover that could prevent it from closing in the event of a fire. Do not replace fusible link with any other device to hold cover up.

Do not block drain or modify equipment in any way.

B. Safety

Complete safety in use is dependent upon proper use and handling of the parts cleaner in your workplace.

It is important that you follow the instructions provided in this manual. If you fail to read, understand, and follow all of the procedures in this manual, you may cause or suffer personal injury.

Fountain Industries

800-328-3594

Industrial Parts Cleaner Operator's Manual

II. Safety Instructions and information

A. Fire

In case of a fire:

Use a Type ABC or Type BC fire extinguisher.

Do not use water.

Contact your local fire department.

This equipment is designed to be used with mineral spirits based solvents with a flash point greater than 38°C. (100.4°F.). Never mix other chemicals with the cleaning solvent, including but not limited to kerosene, fuel oil, gasoline, chlorinated solvents, or detergents. The use of any other solvents could potentially cause a hazardous condition.

When cleaning carburetors or other fuel supplying components, remove all gasoline into a proper disposal container before placing the component into the parts cleaner. Gasoline has a lower flash point than mineral spirits solvent. If gasoline is added, the flash point of the solvent may be lowered.

Do not spray aerosols into or around this machine. Install the equipment in an area away from heat, sparks, and open flame. Never put hot parts into the solvent.

Do not obstruct the cover. It is designed to close automatically in the event of a fire. The safety link and cover closing mechanism must be intact. Do not substitute with any other type of cover positioning device. Do not leave large objects in the parts cleaner or hang anything on the cover that could prevent the cover from closing in the event of a fire.

Do not modify the equipment in any way.

Do not leave solvent-soaked rags in parts cleaner, wadded up on workbenches, or in uncovered containers.

Soak up all solvent spills with absorbent material. Remove all solvent-soaked material in accordance with regulatory requirements.

Industrial Parts Cleaner Operator's Manual

B. First Aid (Medical instructions)

1. **EYES:** Contact may cause slight to moderate irritation. High vapor concentrations (<500ppm) are irritating to the eyes. **For direct contact, flush eyes with water for 15 minutes. If irritation from vapors or mists develops, move victim into fresh air.**

2. **SKIN:** Prolonged or repeated contact tends to remove skin oils, possibly leading to dermatitis. **Remove contaminated clothing, wash skin with soap and water. If irritation or pain develops or persists, consult a physician.**

3. INHALATION (Breathing):

High concentrations of vapor or mist may be irritating to the respiratory tract and may have other central nervous system effects. **Remove to fresh air immediately. Do not leave victim unattended. Consult a physician if necessary.**

4. INGESTION (Swallowing):

Low order of acute oral toxicity. **Drink 4 to 8 ounces of water and seek medical attention. DO NOT induce vomiting.**

C. Environmental

1. **Avoid spilling solvent.** If solvent is spilled, clean it up immediately. Consult Material Safety Data Sheet for instructions on clean up and disposal.

2. **Contain leaks promptly.** Notify local environmental authorities if necessary.

3. **Proper housekeeping in the area of the parts cleaner is the responsibility of the user.**

4. **Check with your local jurisdiction for any other applicable hazardous materials compliance requirements.**

5. **Do not remove devices designed to reduce solvent evaporation except to process work or to perform maintenance.**

6. **For further information consult the Material Safety Data Sheet provided by the solvent supplier.**

Industrial Parts Cleaner Operator's Manual

III. Installation

1. Remove the shelves, open the cover and remove the parts basket.
2. Close the cover and flaps on the carton.
3. Turn the carton upside down, and open the bottom flaps.
4. Assemble the legs to the brackets on the bottom of the tank. The bolt package is located in the parts basket. DO NOT tighten the bolts at this time (See figure 1).
5. Remove the packing from the shelves, and assemble the lower shelf inside the four (4) legs using the remainder of the bolts from the bolt package (See figure 2).
6. Turn the assembly over onto its legs and remove the carton and packaging.
7. Tighten all screws.
8. Open the tank and place the inner shelf and basket inside the machine (See figure 3).
9. Fill the machine with 20 to 35 gallons of a mineral spirits based solvents with a flash point greater than 38°C. (100.4°F.).
10. Plug the power cord into an 115VAC/60Hz or 220VAC/50-60Hz grounded receptacle. See serial number plate for proper voltage.

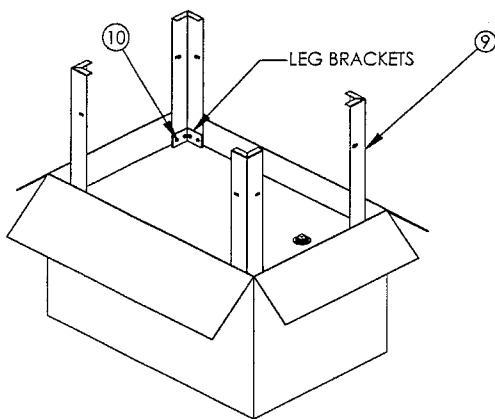


FIGURE 1

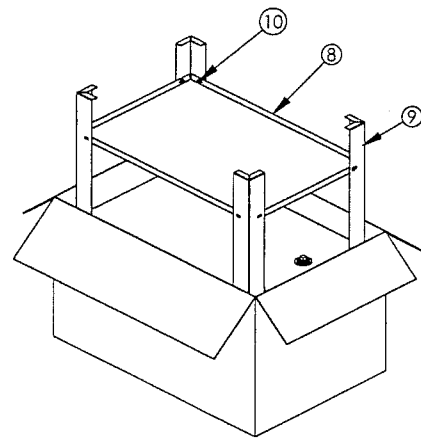


FIGURE 2

Industrial Parts Cleaner Operator's Manual

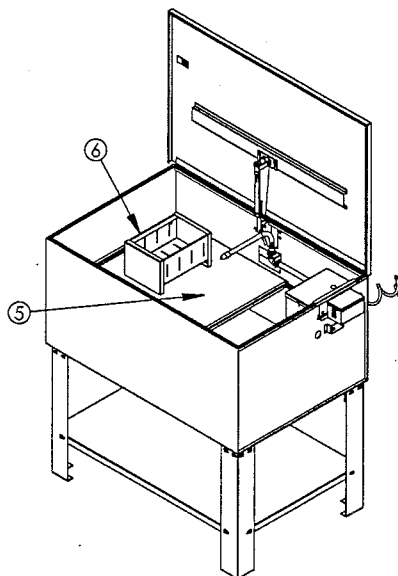
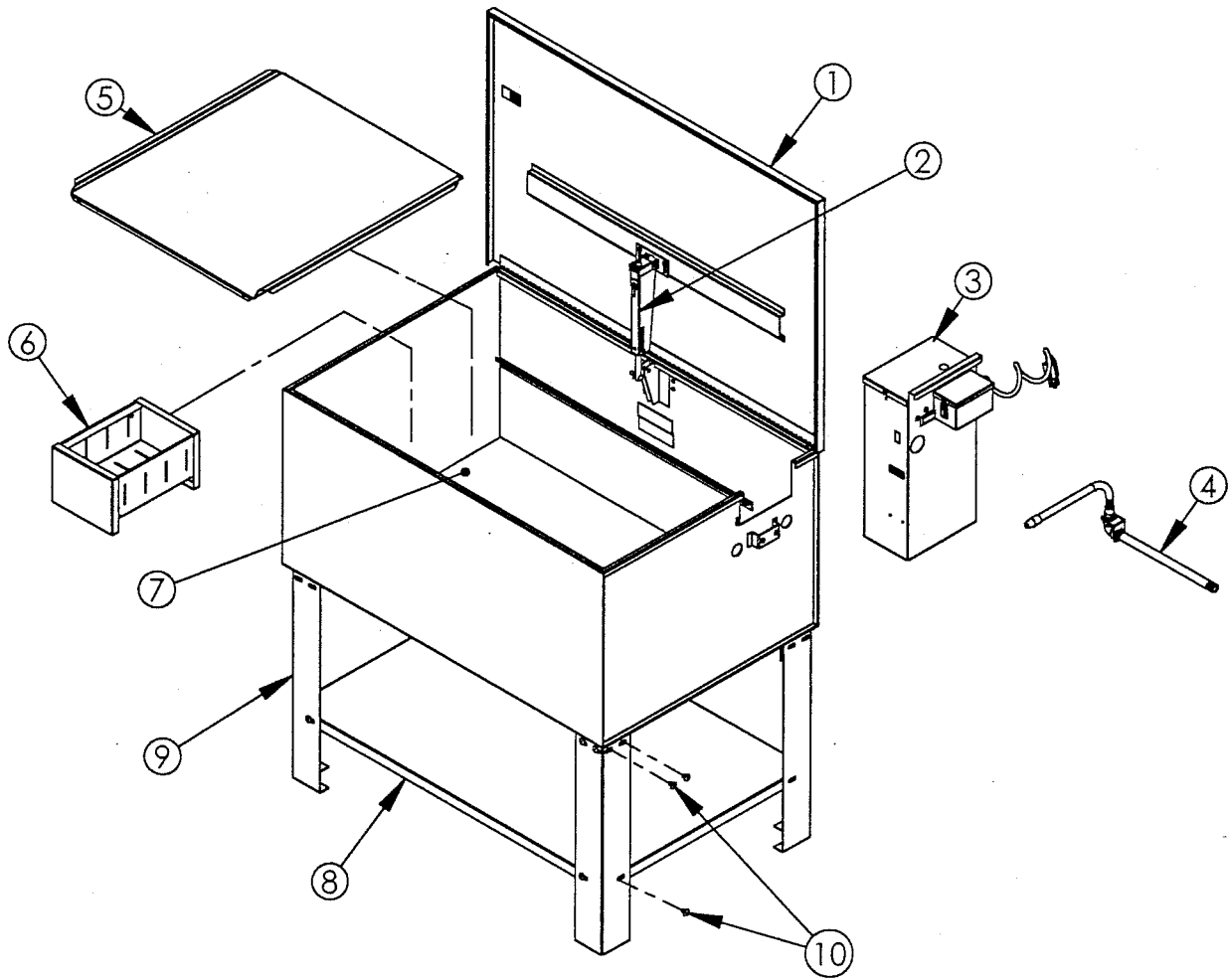


FIGURE 3

IV. Operation

- A. **Avoid prolonged contact with hands.** Use gloves or barrier cream.
- B. **Wear protective safety glasses** suitable to prevent solvent splashing into eyes.
- C. **Wear a protective apron or garment** to avoid absorption of solvent into clothing.
- D. **Open cover** of parts cleaner.
- E. **Load the parts onto the shelf.**
DO NOT EXCEED 150 LBS!
DO NOT DROP PARTS ON SHELF!
- F. **Adjust solvent flow** over parts to be cleaned.
- G. **Energizing the pump switch** located on the right side of the machine will start the flow of solvent.
- H. **Use of a stiff bristled brush** to scrub parts while the solvent is flowing will maximize cleaning efficiency.
- I. **Turn off unit** when operation is complete. Do not allow unit to operate unattended.
- J. **Close cover** to reduce solvent loss due to evaporation.

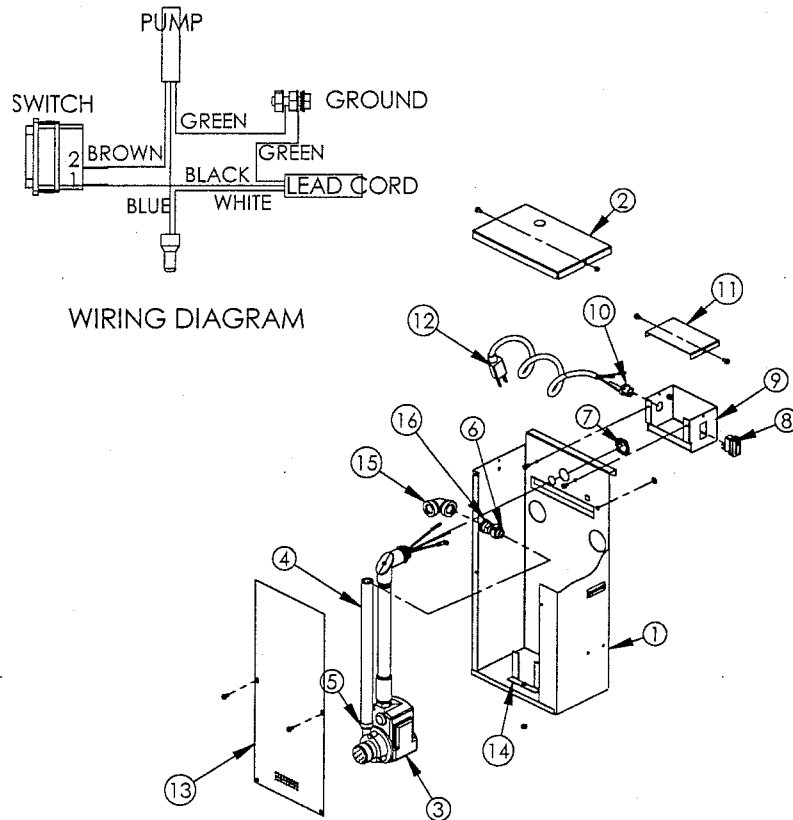
Industrial Parts Cleaner Operator's Manual



ITEM #	QTY	PART #	DESCRIPTION
1	1	50553	COVER
2	1	54268	DOOR CLOSURE
3	1	50510	MODULE ASSEMBLY 120VAC
	1	55953	MODULE ASSEMBLY 220VAC
4	1	51688	FLEX-HOSE ASSEMBLY
5	1	50560	INNER SHELF
6	1	50542	PARTS BASKET
7	1	50576	FILTER, HOG HAIR
8	1	50562	LOWER SHELF
9	4	50563	LEG
10	1	6932	HARDWARE PACKAGE (24 NUTS, 24 BOLTS)

Industrial Parts Cleaner Operator's Manual

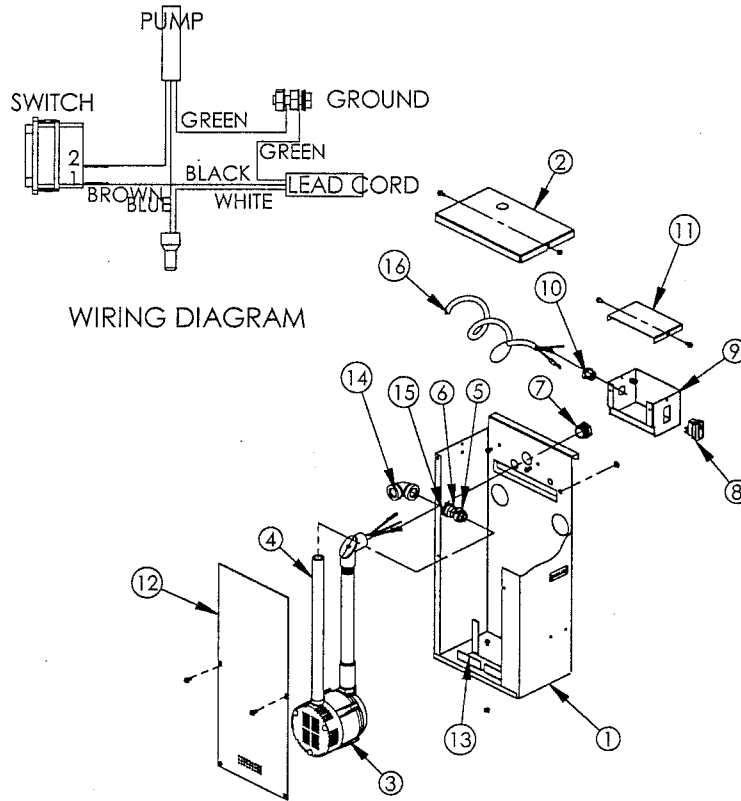
50510 MODULE ASSEMBLY 120VAC



ITEM #	QTY	PART #	DESCRIPTION
1	1	53182	MODULE HOUSING
2	1	51683	MODULE COVER
3	1	50270	PUMP ASSEMBLY
4	1	53557-18	HOSE, 1/2" F&O CTL
5	2	3287	HOSE CLAMP
6	1	7224	BARB, 1/2 HOSE X 3/8 MPT BRASS
7	1	6165	NUT, 1/2" CONDUIT
8	1	01122	SWITCH, ROCKER
9	1	55600	CONTROL BOX
10	1	3040	HEYCO, CORD GRIP, 18/3
11	1	50274	CONTROL BOX COVER
12	1	8612	POWER CORD
13	1	50566	FILTER PANEL
14	1	53699	PUMP BRACKET
15	1	6126	ELBOW, 3/8" BLACK
16	1	6170	NUT, 3/8 NPT

Industrial Parts Cleaner Operator's Manual

55953 MODULE ASSEMBLY 220V



ITEM #	QTY	PART #	DESCRIPTION
1	1	53182-3	MODULE HOUSING
2	1	51683-3	MODULE COVER
3	1	55951	PUMP ASSEMBLY, 220VAC
4	1	53557-18	HOSE, 1/2" F&O CTL
5	2	3287	HOSE CLAMP
6	1	7224	BARB, 1/2" HOSE X 3/8MPT BRASS
7	1	6745	NIPPLE, 1/2" CONDIUT
8	1	01122	SWITCH
9	1	55600-3	CONTROL BOX
10	1	3040	CORD GRIP, 18/3
11	1	50274-3	COVER, CONTROL BOX
12	1	50566-3	FILTER PANEL
13	1	51653	PUMP BRACKET
14	1	6126	ELBOW, 3/8NPT BLACK
15	1	6170	NUT, 3/8NPT
16	1	55601	POWER CORD, 220V