

**IMPORTANT INFORMATION! READ AND FOLLOW THESE INSTRUCTIONS. RETAIN FOR REFERENCE.**

**SAFETY**

**DEFINITIONS**

- △ DANGER** WILL cause DEATH, SEVERE INJURY or substantial property damage.
- △ WARNING** CAN cause DEATH, SEVERE INJURY or substantial property damage.
- △ CAUTION** WILL or CAN cause MINOR INJURY or property damage.

**GENERAL SAFETY PRECAUTIONS**

- △ DANGER** INTAKE AIR. Can contain carbon monoxide or other contaminants. Will cause serious injury or death. Ingersoll-Rand air compressors are not designed, intended or approved for breathing air. Compressed air should not be used for breathing air applications unless treated in accordance with all applicable codes and regulations.
- △ WARNING** HAZARDOUS VOLTAGE. Can cause serious injury or death. Disconnect power and bleed pressure from tank before servicing. Lockout/Tagout machine. Compressor must be connected to properly grounded circuit. See grounding instructions in manual. Do not operate compressor in wet conditions. Store indoors.  
**MOVING PARTS.** Can cause serious injury. Do not operate with guards removed. Machine may start automatically. Disconnect power before servicing. Lockout/Tagout machine.  
**HOT SURFACES.** Can cause serious injury. Do not touch. Allow to cool before servicing. Do not touch hot compressor or tubing.  
**HIGH PRESSURE AIR.** Bypassing, modifying or removing safety/relief valves can cause serious injury or death. Do not bypass, modify or remove safety/relief valves. Do not direct air stream at body. Rusted tanks can cause explosion and severe injury or death. Drain tank daily or after each use. Drain valve located at bottom of tank.
- △ CAUTION** RISK OF BURSTING. Use only suitable air handling parts acceptable for pressure of not less than the maximum allowable working pressure of the machine.

**GENERAL INFORMATION**

Your air compressor unit is suitable for operating air tools, caulking guns, grease guns, sandblasters, etc. Depending on your application, the following accessories may be required:

- An air pressure regulator to adjust the air pressure entering the tool or accessory.
- An air line filter for removal of moisture and oil vapor in compressed air.
- An in-line lubricator to prolong the life of air tools.
- Separate air transformers which combine the functions of air regulation and/or moisture and dirt removal.

Contact your nearest authorized dealer or call 1-800-AIR-SERV for more information on air tools and accessories for your application.

**PREPARATION FOR USE**

**TRANSPORTING THE UNIT**

- △ CAUTION** The wheels and handle do not provide adequate clearance, stability or support for pulling the unit up and down stairs or steps. The unit must be lifted or pushed up a ramp. Do not use the handle to lift the unit.

**SELECTING A LOCATION**

**GENERAL.** Select a clean, dry, well-lighted area with plenty of space for proper cooling air flow and accessibility. Locate the unit on a solid level surface at least 12 inches (30 cm) from walls. Ensure unit is as level as possible.

**TEMPERATURE.** Ideal operating temperatures are between 32°F and 100°F (0°C and 37.8°C). In lower temperatures, you must protect safety/relief valves and drain valves from freezing.

- △ CAUTION** Never operate in temperatures below 20°F (-6.6°C) or above 125°F (51.0°C).

**HUMID AREAS.** In frequently humid areas, moisture may form in the bare pump and produce sludge in the lubricant, causing running parts to wear out prematurely. Excessive moisture is especially likely to occur if the unit is located in an unheated area that is subject to large temperature changes. Two signs of excessive humidity are external condensation on the bare pump when it cools down and a "milky" appearance in petroleum compressor lubricant. You may be able to prevent moisture from forming in the bare pump by increasing ventilation or operating for longer intervals.

**NOISE CONSIDERATIONS.** Consult local officials for information regarding acceptable noise levels in your area. To reduce excessive noise, use vibration mounts or intake silencers, relocate the unit or construct total enclosures or baffle walls. Contact your dealer for assistance.

## INSTALLING THE AIR INLET FILTER

**△ CAUTION** Do not operate without air inlet filter.

Install the air inlet filter at the inlet connection at the bare pump. If heavy duty filtration is required, contact your dealer for information.

## INSTALLING DISCHARGE PIPING

If it is necessary to install air discharge piping or condensate discharge piping, adhere to the following general guidelines. Contact your dealer for more information.

**△ WARNING** If an aftercooler, check valve, block valve, or any other restriction is added to the compressor discharge, install a properly-sized ASME approved safety/relief valve between the compressor discharge and the restriction.

**△ CAUTION** If you will be using Ingersoll-Rand synthetic compressor lubricant, all downstream piping material and system components must be compatible. Refer to the following material compatibility list. If there are incompatible materials present in your system, or if there are materials not included in the list, contact your dealer.

### Suitable:

Viton®, Teflon®, Epoxy (Glass Filled), Oil Resistant Alkyd, Fluorosilicone, Fluorocarbon, Polysulfide, 2-Component Urethane, Nylon, Delrin®, Celcon®, High Nitrile Rubber (Buna N. NBR more than 36% Acrylonitrile), Polyurethane, Polyethylene, Epichlorohydrin, Polyacrylate, Melamine, Polypropylene, Baked Phenolics, Epoxy, Modified Alkyds  
(® indicates trademark of DuPont Corporation)

### Not Recommended:

Neoprene, Natural Rubber, SBR Rubber, Acrylic Paint, Lacquer, Varnish, Polystyrene, PVC, ABS, Polycarbonate, Cellulose Acetate, Low Nitrile Rubber (Buna N. NBR less than 36% Acrylonitrile), EPDM, Ethylene Vinyl Acetate, Latex, EPR, Acrylics, Phenoxy, Polysulfones, Styrene Acrylonitrile (San), Butyl

**GENERAL REQUIREMENTS.** The piping, fittings, receiver tank, etc. must be certified safe for at least the maximum working pressure of the unit. Use hard-welded or threaded steel or copper pipes, cast iron fittings and hoses that are certified safe for the unit's discharge pressure and temperature. **DO NOT USE PVC PLASTIC.** Use pipe thread sealant on all threads, and make up joints tightly to prevent air leaks.

**CONDENSATE DISCHARGE PIPING.** If installing a condensate discharge line, the piping must be at least one size larger than the connection, as short and direct as possible, secured tightly and routed to a suitable drain point. Condensate must be disposed of in accordance with local, state, and federal laws and regulations.

**NOTE:** All compressed air systems generate condensate which accumulates in any drain point (e.g. tanks, filters, drip legs, aftercoolers, dryers). This condensate contains lubricating oil and/or substances which may be regulated and must be disposed of in accordance with local, state, and federal laws and regulations.

## ELECTRICAL WIRING & GROUNDING

**△ WARNING** Any electrical installation and service required should be performed by a qualified electrician who is familiar with all applicable local, state and federal laws and regulations.

**NOTE** This product should be connected to a grounded, metallic, permanent wiring system, or an equipment-grounding terminal or lead on the product.

**GENERAL.** The motor rating, as shown on the motor nameplate, and the power supply must have compatible voltage, phase and hertz characteristics.

**WIRE SIZE.** The electrical wiring between the power supply and electric motor varies according to motor horsepower. Power leads must be adequately sized to protect against excessive voltage drop

during start-up. Information for selecting the proper wire size and securing connections should be provided with the motor. If not, refer to the National Electric Code (NEC) or applicable local, state and federal laws and regulations. If other electrical equipment is connected to the same circuit, the total electrical load must be considered in selecting the proper wire size. **DO NOT USE UNDERSIZE WIRE.**

**FUSES.** Refer to the National Electric Code to determine the proper fuse or circuit breaker rating required. When selecting fuses, remember the momentary starting current of an electric motor is greater than its full load current. Time-delay or "slow-blow" fuses are recommended.

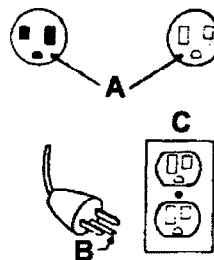
**GROUNDING.** The unit is equipped with a power cord having a grounding wire and an appropriate grounding plug. The plug must be used with an outlet that has been installed and grounded in accordance with all local codes and ordinances. The outlet must have the same configuration as the plug. **DO NOT USE AN ADAPTER.**

**△ WARNING** In the event of a short circuit, grounding reduces the risk of shock by providing an escape for the electric current. The unit must be properly grounded.

**△ DANGER** Improper installation of the grounding plug can result in a risk of electric shock. If repair or replacement of the cord or plug is necessary, do not connect the grounding wire to either flat blade terminal. The wire with insulation having an outer surface that is green with or without yellow stripes is the grounding wire.

Check with a qualified electrician or serviceman if the grounding instructions are not completely understood, or if in doubt as to whether the product is properly grounded. Do not modify the plug provided; if it will not fit the outlet, have the proper outlet installed by a qualified electrician.

This product is for use on a nominal 120-volt circuit and has a grounding plug that looks like the plug illustrated below. Make sure the product is connected to an outlet having the same configuration as the plug. No adapter should be used with this product.



A=Ground

B=Grounding Pin

C=Outlet

**EXTENSION CORDS.** It is preferable to use extra air hose instead of an extension cord to avoid voltage drop and power loss to the motor, and to prevent overheating. If an extension cord must be used, ensure it meets the following criteria:

- Three wire cord with a three blade grounding plug, and a three slot receptacle that will accept the plug on the unit.
- Good condition
- No longer than 50 feet.
- 12 gauge or larger.

**NOTE** Wire size increases as gauge number decreases. For example, 10 AWG and 8 AWG wire is acceptable, whereas 14 or 16 AWG are NOT acceptable.

## COMPRESSOR LUBRICATION

**△ CAUTION** Do not operate without lubricant or with inadequate lubricant. Ingersoll-Rand is not responsible for compressor failure caused by inadequate lubrication.

**SYNTHETIC LUBRICANT.** We recommend Ingersoll-Rand synthetic compressor lubricant from start-up. See the WARRANTY section for extended warranty information.

**ALTERNATE LUBRICANTS.** You may use a petroleum-based lubricant that is premium quality, does not contain detergents, contains only anti-rust, anti-oxidation, and anti-foam agents as additives, has a flashpoint of 440°F (227°C) or higher, and has an auto-ignition point of 650°F (343°C) or higher.

See the petroleum lubricant viscosity table below. The table is intended as a general guide only. Heavy duty operating conditions require heavier viscosities. Refer specific operating conditions to your dealer for recommendations.

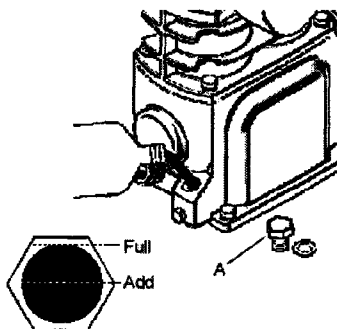
Temperature Around Unit		Viscosity @ 100°F (37.8°C)		Viscosity Grade	
°F	°C	SUS	Centistokes	ISO	SAE
40 & below	4.4 & below	150	32	32	10
40 - 80	4.4 - 26.7	500	110	100	30
80 - 125	26.7 - 51.0	750	165	150	40

If you use a petroleum-based compressor lubricant at start-up and decide to convert to Ingersoll-Rand synthetic compressor lubricant later on, the compressor valves must be thoroughly decarbonized and the crankcase must be flushed before conversion.

### COMPRESSOR PUMP FILLING PROCEDURES:

1. Unscrew and remove the oil fill plug (A).
2. Slowly fill the crankcase with lubricant until the lubricant reaches the top thread of the oil fill opening and the top of the sight glass. Crankcase capacity is one (1) pint (0.5 liters).
3. Replace the oil fill plug HAND TIGHT ONLY.

#### Filling Procedures



## OPERATION

### GENERAL

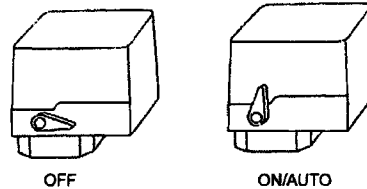
Your air compressor was designed for 100% continuous duty operation with the use of Ingersoll-Rand synthetic compressor lubricant and 60% continuous duty operation with the use of petroleum lubricant. In other words, synthetic lubricant allows the

compressor to pump continuously without cycling. Petroleum lubricant limits the compressor to a maximum of 36 minutes of pumping time per hour. The compressor should not cycle more than 10 times per hour.

## NORMAL START-UP

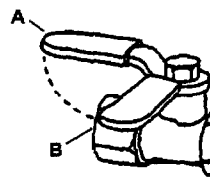
1. Set the pressure switch lever to "OFF".

#### Pressure Switch Lever



2. Close the service valve.

#### Service Valve

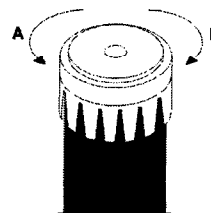


3. Attach hose and accessory.
4. Move the pressure switch lever to "ON/AUTO". The unit will start.
5. Allow tank pressure to build. The motor will stop when tank pressure reaches cut-out pressure.
6. Open the service valve. The unit is now ready for use.

**NOTE:** When the receiver tank pressure drops below the factory pre-set minimum, the pressure switch resets and restarts the unit.

If your unit is equipped with a regulator, adjust the regulator to the desired secondary pressure by pulling the adjustment dial out and turning it clockwise (B) to increase the pressure or counterclockwise (A) to decrease the pressure. Push the dial in when the desired pressure is reached.

#### Regulator



## SHUTDOWN

1. Set the pressure switch lever to "OFF".
2. Close the service valve fully.
3. Remove the air tool or accessory.
4. Slowly open the service valve to bleed air pressure down to 20 psig.
5. Slowly open the manual drain valve at the bottom of the tank to drain all condensate (water).
6. Close the drain valve and the service valve for the next use.

## MAINTENANCE

- △ WARNING** Unplug the unit and release air pressure from the tank before performing maintenance.
- NOTE** All compressed air systems contain maintenance parts (e.g. lubricating oil, filters, separators) which are periodically replaced. These used parts may be, or may contain, substances that are regulated and must be disposed of in accordance with local, state, and federal laws and regulations.
- NOTE** Take note of the positions and locations of parts during disassembly to make reassembly easier. The assembly sequences and parts illustrated may differ for your particular unit.
- NOTE** Follow engine owner's manual for engine maintenance schedules and procedures.
- NOTE** Any service operations not included in this section should be performed by an authorized service representative.

### ROUTINE MAINTENANCE SCHEDULE

Daily or Before Each Operation	<ul style="list-style-type: none"> <li>● Check lubricant level. Fill as needed.</li> <li>● Drain receiver tank condensate. Open the manual drain valve and collect and dispose of condensate accordingly.</li> <li>● Check for unusual noise and vibration.</li> <li>● Ensure covers are securely in place.</li> <li>● Ensure area around compressor is free from rags, tools, debris, and flammable or explosive materials.</li> </ul>
Weekly	<ul style="list-style-type: none"> <li>● Inspect air filter element. Clean or replace if necessary.</li> </ul>
Monthly	<ul style="list-style-type: none"> <li>● Inspect for air leaks. Squirt soapy water around joints during compressor operation and watch for bubbles.</li> <li>● Check tightness of screws and bolts. Tighten as needed.</li> <li>● Clean exterior.</li> </ul>
3/500 *	<ul style="list-style-type: none"> <li>● Change petroleum lubricant while crankcase is warm.</li> </ul>
12/2000 *	<ul style="list-style-type: none"> <li>● Change synthetic lubricant while crankcase is warm.</li> <li>● Replace filter element.</li> </ul>

\* indicates months/operating hours, whichever occurs first.

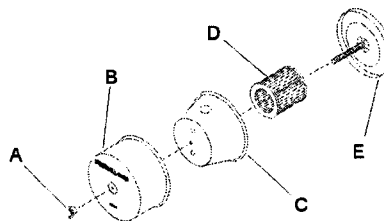
### FILTER REPLACEMENT

1. Unscrew and remove the wing nut (A).
2. Remove the filter cover (B), baffle (C) and element (D) from the base (E).
3. Install a new element and reassemble the filter assembly.

**NOTE** The air intake holes in the baffle and cover must be staggered 180°. When reinstalling the assembly at the inlet connection, ensure the intake hole in the

cover is on the bottom to minimize the entry of foreign matter from the air.

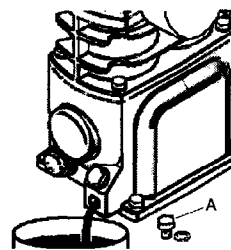
### Filter Replacement



### COMPRESSOR PUMP OIL CHANGE

1. Remove the oil drain plug (A) and allow the lubricant to drain into a suitable container.
2. Replace the oil drain plug.
3. Follow the filling procedures in OPERATION section.

### Compressor Pump Oil Change



### BELT ADJUSTMENT

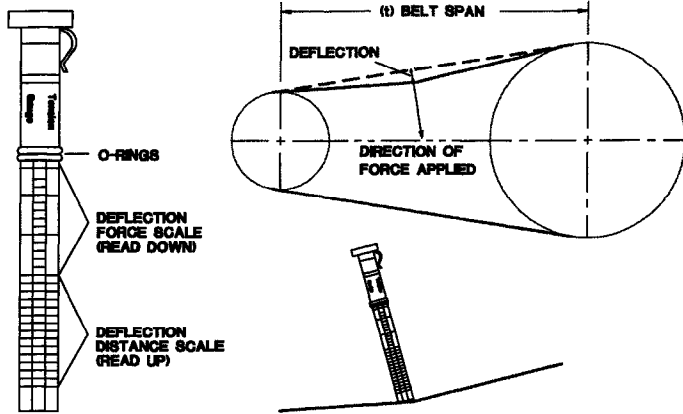
**CHECKING BELT TENSION** Check belt tension occasionally, especially if looseness is suspected. A quick check to determine if adjustment is proper may be made by observing the slack side of the belt for a slight bow when the unit is in operation. If a slight bow is evident, the belt is usually adjusted satisfactorily.

**TENSIONING BELTS** Belt tensioning can be achieved by loosening the motor anchor screws, pushing the motor away from the pump, and retightening the motor anchor screws. The motor can be easily moved by placing a prying tool beneath it. A commercially available spreader or other belt tensioning device can also be helpful should tensioning be necessary.

Follow the procedures outlined below to correctly set and measure belt tension.

1. Lay a straight edge across the top outer surface of the belt drive from pulley to sheave.
2. At the center of the span, perpendicular to the belt, apply pressure to the outer surface of the belt with a tension gauge. Force the belt to the deflection indicated in the table at right. Compare the reading on the tension gauge to the table below.

Deflection in Inches	Min. Tension (Lbs.)	Max. Tension (Lbs.)
0.17	3.0	6.0



Ensure the pulley and sheave are properly aligned and the motor anchor screws are adequately retightened prior to restarting the compressor.

**△ CAUTION** Improper pulley/sheave alignment and belt tension can result in motor overload, excessive vibration, and premature belt and/or bearing failure.

To prevent these problems from occurring, ensure the pulley and sheave are aligned and belt tension is satisfactory after installing new belts or tensioning existing belts.

## TANK INSPECTION

The life of an air receiver tank is dependent upon several factors including, but not limited to, operating conditions, ambient environments, and the level of maintenance. The exact effect of these factors on tank life is difficult to predict; therefore, Ingersoll-Rand recommends that you schedule a certified tank inspection within the first five years of compressor service. To arrange a tank inspection, contact the nearest I-R Air Center or distributor, or call 1-800-AIR SERV.

If the tank has not been inspected within the first 10 years of compressor service, the receiver must be taken out of service until it has passed inspection. Tanks that fail to meet requirements must be replaced.

**△ WARNING** Failure to replace a rusted air receiver tank could result in air receiver tank rupture or explosion, which could cause substantial property damage, severe personal injury, or death. Never modify or repair tank. Obtain replacement from service center.

## TROUBLESHOOTING

PROBLEM	POSSIBLE CAUSE	POSSIBLE SOLUTION
Abnormal piston, ring or cylinder wear	<ol style="list-style-type: none"> <li>1. Lubricant viscosity too low.</li> <li>2. Lubricant level too low.</li> <li>3. Detergent type lubricant being used.</li> <li>4. Cylinder(s) or piston(s) scratched, worn or scored.</li> <li>5. Extremely dusty atmosphere.</li> <li>6. Worn cylinder finish.</li> </ol>	<ol style="list-style-type: none"> <li>1. Drain existing lubricant and refill with proper lubricant.</li> <li>2. Add lubricant to crankcase to proper level.</li> <li>3. Drain existing lubricant and refill with proper lubricant.</li> <li>4. Repair or replace as required.</li> <li>5. Install remote air inlet piping and route to source of cleaner air. Install more effective filtration.</li> <li>6. Deglaze cylinder with 180 grit flex-hone.</li> </ol>
Air delivery drops off	<ol style="list-style-type: none"> <li>1. Clogged or dirty inlet and/or discharge line filter.</li> <li>2. Air leaks in air discharge piping.</li> <li>3. Lubricant viscosity too high.</li> <li>4. Compressor valves leaky, broken, carbonized or loose.</li> <li>5. Piston rings damaged or worn (broken, rough or scratched). Excessive end gap or side clearance.</li> <li>6. Piston rings not seated, are stuck in grooves or end gaps not staggered.</li> <li>7. Cylinder(s) or piston(s) scratched, worn or scored.</li> <li>8. Defective safety/relief valve.</li> </ol>	<ol style="list-style-type: none"> <li>1. Clean or replace.</li> <li>2. Check tubing and connections.</li> <li>3. Drain existing lubricant and refill with proper lubricant.</li> <li>4. Inspect valves. Clean or replace as required. Install valve kit.</li> <li>5. Install ring kit.</li> <li>6. Adjust piston rings.</li> <li>7. Repair or replace as required.</li> <li>8. Replace.</li> </ol>
Unit does not come up to speed	<ol style="list-style-type: none"> <li>1. Loose beltwheel or motor pulley, excessive end play in motor shaft or loose drive belts.</li> <li>2. Lubricant viscosity too high.</li> <li>3. Improper line voltage.</li> <li>4. Compressor valves leaky, broken, carbonized or loose.</li> <li>5. Defective ball bearings on crankshaft or motor shaft.</li> </ol>	<ol style="list-style-type: none"> <li>1. Check beltwheel, motor pulley, crankshaft, drive belt tension and alignment. Repair or replace as required.</li> <li>2. Drain existing lubricant and refill with proper lubricant.</li> <li>3. Check line voltage and upgrade lines as required. Contact electrician.</li> <li>4. Inspect valves. Clean or replace as required. Install valve kit.</li> <li>5. Inspect bearings and replace crankshaft assembly if required.</li> </ol>
Unit is slow to come up to speed	<ol style="list-style-type: none"> <li>1. Lubricant viscosity too high.</li> <li>2. Leaking check valve or check valve seat blown out.</li> <li>3. Ambient temperature too low.</li> <li>4. Bad motor.</li> </ol>	<ol style="list-style-type: none"> <li>1. Drain existing lubricant and refill with proper lubricant.</li> <li>2. Replace check valve.</li> <li>3. Relocate unit to warmer environment. Install crankcase heater kit.</li> <li>4. Replace.</li> </ol>
Unit runs excessively hot	<ol style="list-style-type: none"> <li>1. Inadequate ventilation around beltwheel.</li> <li>2. Drive belts too tight or misaligned.</li> <li>3. Compressor valves leaky, broken, carbonized or loose.</li> <li>4. Wrong beltwheel direction of rotation.</li> </ol>	<ol style="list-style-type: none"> <li>1. Relocate unit for better air flow.</li> <li>2. Adjust belts to proper tension and alignment.</li> <li>3. Inspect valves. Clean or replace as required. Install valve kit.</li> <li>4. Check motor wiring for proper connections. Reverse two leads on three-phase motors.</li> </ol>
Excessive noise during operation	<ol style="list-style-type: none"> <li>1. Loose beltwheel or motor pulley, excessive end play in motor shaft or loose drive belts.</li> <li>2. Lubricant viscosity too high.</li> <li>3. Lubricant level too low.</li> <li>4. Compressor valves leaky, broken, carbonized or loose.</li> <li>5. Carbon build-up on top of piston(s).</li> <li>6. Defective ball bearings on crankshaft or motor shaft.</li> <li>7. Leaking check valve or check valve seat blown out.</li> </ol>	<ol style="list-style-type: none"> <li>1. Check beltwheel, motor pulley, crankshaft, drive belt tension and alignment. Repair or replace as required.</li> <li>2. Drain existing lubricant and refill with proper lubricant.</li> <li>3. Add lubricant to crankcase to proper level.</li> <li>4. Inspect valves. Clean or replace as required. Install valve kit.</li> <li>5. Clean piston(s). Repair or replace as required.</li> <li>6. Inspect bearings and replace crankshaft assembly if required.</li> <li>7. Replace check valve.</li> </ol>
Excessive starting and stopping	<ol style="list-style-type: none"> <li>1. Air leaks in air discharge piping.</li> <li>2. Pressure switch differential too narrow.</li> <li>3. Leaking check valve or check valve seat blown out.</li> <li>4. Excessive condensate in receiver tank.</li> </ol>	<ol style="list-style-type: none"> <li>1. Check tubing and connections.</li> <li>2. Adjust pressure switch to increase differential, if differential adjustment is provided. Install pressure switch with differential adjustment feature if differential adjustment is desired.</li> <li>3. Replace check valve.</li> <li>4. Drain receiver tank with manual drain valve.</li> </ol>
High oil consumption	<ol style="list-style-type: none"> <li>1. Clogged or dirty inlet and/or discharge line filter.</li> <li>2. Lubricant viscosity too low.</li> <li>3. Detergent type lubricant being used.</li> <li>4. Piston rings damaged or worn (broken, rough or scratched). Excessive end gap or side clearance.</li> <li>5. Piston rings not seated, are stuck in grooves or end gaps not staggered.</li> <li>6. Cylinder(s) or piston(s) scratched, worn or scored.</li> <li>7. Connecting rod, piston pin or crankpin bearings worn or scored.</li> <li>8. Crankshaft seal worn or crankshaft scored.</li> <li>9. Worn cylinder finish.</li> </ol>	<ol style="list-style-type: none"> <li>1. Clean or replace.</li> <li>2. Drain existing lubricant and refill with proper lubricant.</li> <li>3. Drain existing lubricant and refill with proper lubricant.</li> <li>4. Install ring kit.</li> <li>5. Adjust piston rings.</li> <li>6. Repair or replace as required.</li> <li>7. Inspect all. Repair or replace as required.</li> <li>8. Replace seal or crankshaft assembly.</li> <li>9. Deglaze cylinder with 180 grit flex-hone.</li> </ol>
Knocking or rattling	<ol style="list-style-type: none"> <li>1. Loose beltwheel or motor pulley, excessive end play in motor shaft or loose drive belts.</li> <li>2. Compressor valves leaky, broken, carbonized or loose.</li> <li>3. Carbon build-up on top of piston(s).</li> <li>4. Cylinder(s) or piston(s) scratched, worn or scored.</li> <li>5. Connecting rod, piston pin or crankpin bearings worn or scored.</li> <li>6. Defective ball bearings on crankshaft or motor shaft.</li> </ol>	<ol style="list-style-type: none"> <li>1. Check beltwheel, motor pulley, crankshaft, drive belt tension and alignment. Repair or replace as required.</li> <li>2. Inspect valves. Clean or replace as required. Install valve kit.</li> <li>3. Clean piston(s). Repair or replace as required.</li> <li>4. Repair or replace as required.</li> <li>5. Inspect all. Repair or replace as required.</li> <li>6. Inspect bearings and replace crankshaft assembly if required.</li> </ol>

<b>PROBLEM</b>	<b>POSSIBLE CAUSE</b>	<b>POSSIBLE SOLUTION</b>
Lights flicker or dim when running	<ol style="list-style-type: none"> <li>1. Improper line voltage.</li> <li>2. Wiring or electric service panel too small.</li> <li>3. Poor contact on motor terminals or starter connections.</li> <li>4. Improper starter overload heaters.</li> <li>5. Poor power regulation (unbalanced line).</li> </ol>	<ol style="list-style-type: none"> <li>1. Check line voltage and upgrade lines as required. Contact electrician.</li> <li>2. Install properly sized wire or service box. Contact electrician.</li> <li>3. Ensure good contact on motor terminals or starter connections.</li> <li>4. Install proper starter overload heaters. Contact electrician.</li> <li>5. Contact power company.</li> </ol>
Moisture in crankcase or "milky" appearance in petroleum lubricant or rusting in cylinders	<ol style="list-style-type: none"> <li>1. Detergent type lubricant being used.</li> <li>2. Extremely light duty cycles.</li> <li>3. Unit located in damp or humid location.</li> </ol>	<ol style="list-style-type: none"> <li>1. Drain existing lubricant and refill with proper lubricant.</li> <li>2. Run unit for longer duty cycles.</li> <li>3. Relocate unit.</li> </ol>
Motor overload trips or draws excessive current	<ol style="list-style-type: none"> <li>1. Lubricant viscosity too high.</li> <li>2. Improper line voltage.</li> <li>3. Wiring or electric service panel too small.</li> <li>4. Poor contact on motor terminals or starter connections.</li> <li>5. Improper starter overload heaters.</li> <li>6. Poor power regulation (unbalanced line).</li> <li>7. Drive belts too tight or misaligned.</li> <li>8. Compressor valves leaky, broken, carbonized or loose.</li> <li>9. Cylinder(s) or piston(s) scratched, worn or scored.</li> <li>10. Connecting rod, piston pin or crankpin bearings worn or scored.</li> <li>11. Defective ball bearings on crankshaft or motor shaft.</li> <li>12. Leaking check valve or check valve seat blown out.</li> <li>13. Ambient temperature too low.</li> <li>14. Bad motor.</li> </ol>	<ol style="list-style-type: none"> <li>1. Drain existing lubricant and refill with proper lubricant.</li> <li>2. Check line voltage and upgrade lines as required. Contact electrician.</li> <li>3. Install properly sized wire or service box. Contact electrician.</li> <li>4. Ensure good contact on motor terminals or starter connections.</li> <li>5. Install proper starter overload heaters. Contact electrician.</li> <li>6. Contact power company.</li> <li>7. Adjust belts to proper tension and alignment.</li> <li>8. Inspect valves. Clean or replace as required. Install valve kit.</li> <li>9. Repair or replace as required.</li> <li>10. Inspect all. Repair or replace as required.</li> <li>11. Inspect bearings and replace crankshaft assembly if required.</li> <li>12. Replace check valve.</li> <li>13. Relocate unit to warmer environment. Install crankcase heater kit. Convert to synthetic lubricant.</li> <li>14. Replace</li> </ol>
Motor will not start	<ol style="list-style-type: none"> <li>1. Improper line voltage.</li> <li>2. Wiring or electric service panel too small.</li> <li>3. Poor contact on motor terminals or starter connections.</li> <li>4. Improper starter overload heaters.</li> <li>5. Bad motor.</li> </ol>	<ol style="list-style-type: none"> <li>1. Check line voltage and upgrade lines as required. Contact electrician.</li> <li>2. Install properly sized wire or service box. Contact electrician.</li> <li>3. Ensure good contact on motor terminals or starter connections.</li> <li>4. Install proper starter overload heaters. Contact electrician.</li> <li>5. Replace</li> </ol>
Oil in discharge air (oil pumping)	<ol style="list-style-type: none"> <li>1. Lubricant viscosity too low.</li> <li>2. Detergent type lubricant being used.</li> <li>3. Piston rings damaged or worn (broken, rough or scratched). Excessive end gap or side clearance.</li> <li>4. Piston rings not seated, are stuck in grooves or end gaps not staggered.</li> <li>5. Cylinder(s) or piston(s) scratched, worn or scored.</li> <li>6. Worn cylinder finish.</li> <li>7. Excessive condensate in receiver tank.</li> </ol>	<ol style="list-style-type: none"> <li>1. Drain existing lubricant and refill with proper lubricant.</li> <li>2. Drain existing lubricant and refill with proper lubricant.</li> <li>3. Install ring kit.</li> <li>4. Adjust piston rings.</li> <li>5. Repair or replace as required.</li> <li>6. Deglaze cylinder with 180 grit flex-hone.</li> <li>7. Drain receiver tank with manual drain valve.</li> </ol>
Oil leaking from shaft seal	<ol style="list-style-type: none"> <li>1. Crankshaft seal worn or crankshaft scored.</li> </ol>	<ol style="list-style-type: none"> <li>1. Replace seal or crankshaft assembly.</li> </ol>
Safety/relief valve "pops"	<ol style="list-style-type: none"> <li>1. Clogged or dirty inlet and/or discharge line filter.</li> <li>2. Compressor valves leaky, broken, carbonized or loose.</li> <li>3. Defective safety/relief valve.</li> </ol>	<ol style="list-style-type: none"> <li>1. Clean or replace.</li> <li>2. Inspect valves. Clean or replace as required. Install valve kit.</li> <li>3. Replace</li> </ol>

## WARRANTY

Ingersoll-Rand Company warrants that the Equipment manufactured by it and delivered hereunder shall be free of defects in material and workmanship for a period of twelve (12) months from the date of placing the Equipment in operation or eighteen (18) months from the date of shipment, whichever shall occur first. The foregoing warranty period shall apply to all Equipment, except for the following: (A) Compressors that are operated solely on Ingersoll-Rand synthetic compressor lubricant will have their bare compressor warranted for the earlier of twenty-four (24) months from the date of initial operation or thirty (30) months from the date of shipment. (B) Replacement parts will be warranted for six (6) months from the date of shipment. Should any failure to conform to this Warranty be reported in writing to the Company within said period, the Company shall, at its option, correct such nonconformity by suitable repair to such Equipment, or furnish a replacement part F.O.B. point of shipment, provided the purchaser has installed, maintained and operated such equipment in accordance with good industry practices and has complied with specific recommendations of the Company. Accessories or equipment furnished by the Company, but manufactured by others, shall carry whatever warranty the manufacturer conveyed to Ingersoll-Rand Company and which can be passed on to the Purchaser. The Company shall not be liable for any repairs, replacements, or adjustments to the Equipment or any costs of labor performed by the Purchaser without the Company's prior written approval.

The Company makes no performance warranty unless specifically stated within its proposal and the effects of corrosion, erosion and normal wear and tear are specifically excluded from the Company's Warranty. In the event performance warranties are expressly included, the Company's obligation shall be to correct in the manner and for the period of time provided above.

THE COMPANY MAKES NO OTHER WARRANTY OF REPRESENTATION OF ANY KIND WHATSOEVER, EXPRESSED OR IMPLIED, EXCEPT THAT OF TITLE, AND ALL IMPLIED WARRANTIES OF MERCHANTABILITY AND FITNESS FOR A PARTICULAR PURPOSE, ARE HEREBY DISCLAIMED.

Correction by the Company of nonconformities, whether patent or latent, in the manner and for the period of time provided above, shall constitute fulfillment of all liabilities of the Company and its Distributors for such nonconformities with respect to or arising out of such Equipment.

## LIMITATION OF LIABILITY

THE REMEDIES OF THE PURCHASER SET FORTH HEREIN ARE EXCLUSIVE, AND THE TOTAL LIABILITY OF THE COMPANY, ITS DISTRIBUTORS AND SUPPLIERS WITH RESPECT TO CONTRACT OR THE EQUIPMENT AND SERVICES FURNISHED, IN CONNECTION WITH THE PERFORMANCE OR BREACH THEREOF, OR FROM THE MANUFACTURE, SALE, DELIVERY, INSTALLATION, REPAIR OR TECHNICAL DIRECTION COVERED BY OR FURNISHED UNDER CONTRACT, WHETHER BASED ON CONTRACT, WARRANTY, NEGLIGENCE, INDEMNITY, STRICT LIABILITY OR OTHERWISE SHALL NOT EXCEED THE PURCHASE PRICE OF THE UNIT OF EQUIPMENT UPON WHICH SUCH LIABILITY IS BASED.

THE COMPANY, ITS DISTRIBUTORS AND ITS SUPPLIERS SHALL IN NO EVENT BE LIABLE TO THE PURCHASER, ANY SUCCESSORS IN INTEREST OR ANY BENEFICIARY OR ASSIGNEE OF THE CONTRACT FOR ANY CONSEQUENTIAL, INCIDENTAL, INDIRECT, SPECIAL OR PUNITIVE DAMAGES ARISING OUT OF THIS CONTRACT OR ANY BREACH THEREOF, OR ANY DEFECT IN, OR FAILURE OF, OR MALFUNCTION OF THE EQUIPMENT, WHETHER OR NOT BASED UPON LOSS OF USE, LOSS PROFITS OR REVENUE, INTEREST, LOST GOODWILL, WORK STOPPAGE, IMPAIRMENT OF OTHER GOODS, LOSS BY REASON OF SHUTDOWN OR NON-OPERATION, INCREASED EXPENSES OF OPERATION, COST OF PURCHASE OF REPLACEMENT POWER, OR CLAIMS OF PURCHASER OR CUSTOMERS OF PURCHASER FOR SERVICE INTERRUPTION WHETHER OR NOT SUCH LOSS OR DAMAGE IS BASED ON CONTRACT, WARRANTY, NEGLIGENCE, INDEMNITY, STRICT LIABILITY OR OTHERWISE.

**Questions? Parts? Service?**

**1-800 AIR SERV**

**Visit our website:**

**[www.air.ingersoll-rand.com](http://www.air.ingersoll-rand.com)**

**INFORMACIÓN IMPORTANTE! LEA Y SIGA ESTAS INSTRUCCIONES. GUÁRDELAS PARA EFECTOS DE REFERENCIA.**

### SEGURIDAD

#### DEFINICIONES

- △ **PELIGRO** CAUSA la MUERTE, LESIONES GRAVES o daños importantes a la propiedad.
- △ **ADVERTENCIA** PUEDE causar LA MUERTE, LESIONES GRAVES o daños importantes a la propiedad.
- △ **PRECAUCIÓN** CAUSA O PUEDE CAUSAR LESIONES MENORES o daños a la propiedad.

#### PRECAUCIONES GENERALES DE SEGURIDAD

- △ **PELIGRO** **AIRE DE ADMISIÓN.** Puede contener monóxido de carbono u otros contaminantes. Puede causar lesiones graves o la muerte. Los compresores de aire Ingersoll-Rand no están diseñados, destinados para aire respirable. No se debe usar el aire comprimido para aplicaciones de aire respirable a menos que se trate de acuerdo con todas las normas y reglamentos correspondientes.

- △ **ADVERTENCIA** **VOLTAJE PELIGROSO.** Puede causar lesiones graves o la muerte. Desconecte la energía y purgue la presión del receptáculo antes de dar mantenimiento. Bloquear/etiquetar la máquina. El compresor debe ser conectado a un circuito debidamente conectado a tierra. Vea las instrucciones de conexión a tierra en el manual. No opere el compresor en condiciones húmedas. Almacene dentro.

**PARTES MÓVILES.** Puede causar lesiones graves. No opere la máquina si se ha retirado el protector. La máquina puede empezar a funcionar automáticamente. Desconecte la energía ante de darle servicio a la máquina. Bloquear/etiquetar la máquina.

**SUPERFICIE CALIENTE.** Puede causar lesiones graves. No tocar. Deje que se enfríe antes de dar servicio. No toque el compresor o la tubería caliente.

**AIRE DE ALTA PRESIÓN** La derivación, modificación o retiro de las válvulas de seguridad/alivio puede causar lesiones graves o la muerte. No derive, modifique o retire las válvulas de seguridad/alivio. No apunte el flujo de aire a las personas. Receptáculos oxidados pueden causar una explosión y lesiones graves o la muerte. Drene el receptáculo diariamente o después cada uso. Válvula de drenaje ubicado al fondo del receptáculo.

- △ **PRECAUCIÓN** **RIESGO DE EXPLOSIÓN.** Utilice solamente piezas de manipulación de aire adecuadas que sean aceptables para presiones no menores a la presión máxima de trabajo admisible de la máquina.

### INFORMACIONES GENERALES

Su compresor de aire está adecuado para la operación de herramientas neumáticas, pistolas de calafatear, pistolas engrasadoras, chorreadoras de arena, etc. Se necesitan los siguientes accesorios según la aplicación:

- Un regulador de la presión de aire para ajustar la presión de aire entrante la herramienta o accesorio.
- Un filtro de la línea de aire para eliminar la humedad y el vapor de aceite del aire comprimido.
- Un lubricador en línea para prolongar la vida de las herramientas neumáticas.
- Transformadores de aire separados combinando las funciones de regulación de aire y/o la eliminación de la humedad y suciedad.

Comuníquese con su representante autorizado o llame al 1-800-AIR-SERV para informaciones adicionales de las herramientas neumáticas y los accesorios de aplicaciones individuales

### PREPARACIÓN PARA USO

#### TRANSPORTE DE LA UNIDAD

- △ **PRECAUCIÓN** Las ruedas y la manecilla no proveen espacio libre, estabilidad o soporte adecuados para tirar el compresor arriba y abajo escaleras. Se debe levantar o empujar el compresor en lo alto de una rampa. No use la manecilla para levantar la unidad.

#### SELECCIÓN DE UNA UBICACIÓN

**GENERALIDADES** Seleccione un área seco bien iluminada con bastante espacio para permitir una accesibilidad y un flujo de aire de enfriamiento adecuados. Ubique el compresor sobre una superficie sólida plana al menos 12 pulgadas (30 cm) de paredes. Asegúrese de que el compresor está debidamente nivelado.

**TEMPERATURA.** Las temperaturas de operación ideales fluctúan entre los 32°F y los 100°F (0°C y 37,8°C). En ambientes con temperaturas más bajas, se debe proteger las válvulas de seguridad/de descarga contra la congelación.

- △ **PRECAUCIÓN** No haga funcionar el compresor a temperaturas inferiores a -15°F (-26,1°C) o superiores a los 125°F (51,0°C).

**ÁREAS HÚMEDAS.** En áreas frecuentemente húmedas, se puede acumular humedad en la bomba y producir sedimentos en el lubricante. Esto causará el desgaste prematuro de las piezas móviles. El exceso de humedad tiene muchas probabilidades de producirse si el compresor está ubicado en un área sin calefacción sujeta a grandes cambios de temperatura. Dos signos de exceso de humedad son la condensación externa en el compresor cuando éste se enfría y una apariencia "lechosa" del lubricante de petróleo. Se puede prevenirse la acumulación de humedad en la bomba por el aumento de la ventilación o operación del compresor por intervalos más prolongados.

**CONSIDERACIONES SOBRE EL RUIDO.** Consulte a las autoridades locales sobre los niveles aceptables de ruido en su área. Para reducir el exceso de ruido, use silenciadores en la admisión o almohadillas aislantes de la vibración, ubique el compresor en otro lugar o construya recintos totalmente cerrados o paredes acústicas. Comuníquese con su distribuidor para ayuda.

## INSTALACIÓN DEL FILTRO DE ENTRADA DE AIRE

**△ PRECAUCIÓN** No opere sin el filtro de entrada de aire.

Instale el filtro de entrada de aire a la conexión de entrada de la bomba. Comuníquese con su distribuidor para más informaciones, cuando se necesita una filtración de gran rendimiento.

## INSTALACIÓN DE TUBERÍA DE DESCARGA

Para la instalación de la tubería de descarga de aire o de líquido condensado, observe las siguientes recomendaciones. Comuníquese con su distribuidor para más información.

**△ ADVERTENCIA** Si se añade un posenfriador, válvula de retención, válvula de bloqueo o cualquier otra restricción a la descarga del compresor, debe instalarse una válvula de seguridad adecuadamente dimensionado y aprobada por ASME entre la descarga del compresor y la restricción.

**△ PRECAUCIÓN** Si usa el lubricante sintético Ingersoll-Rand para compresores, todo el material de la tubería descendente y los componentes del sistema deben ser compatibles. Consulte la lista de compatibilidad de materiales que se indica a continuación. Si existen materiales no compatibles en su sistema, o si hay materiales no incluidos en la lista, comuníquese con su distribuidor.

### Adecuados:

Viton®, Teflon®, epoxia (relleno con vidrio), alquid resistente al aceite, fluorosilicona, fluorocarbono, polisulfuro, uretano de dos componentes, nilón, Delrin®, Celcon®, goma con alto contenido de nitrilo (Buna N, NBR con más de un 36% de acrilonitrilo), poliuretano, polietileno, epiclorhidrina, poliacrilato, melamina, polipropileno, fenólicos secados, epoxias, alquidos modificados  
(® indica una marca registrada de DuPont Corporation)

### No recomendados:

Neoprén, goma natural, goma SBR, pintura acrílica, laca, barniz, poliestireno, PVC, ABS, policarbonatos, acetato de celulosa, goma con bajo contenido de nitrilo (BUNA N, NBR con menos de un 36% de acrilonitrilo), EPDM, acetato de vinilo etileno, látex, EPR, acrílicos, fenoxi, polisulfones, acrilonitrilo estireno (San), butilo

**REQUISITOS GENERALES.** Las tuberías, accesorios, estanque del recibidor, etc. deben tener seguridad certificada para al menos la presión de trabajo de la unidad. Use conductos de cobre o acero roscados o cobresoldados, accesorios de hierro fundido y tubos que tienen seguridad certificada para la presión y temperatura de descarga del compresor. NO USE PLÁSTICO DE PVC. Use sellante de roscas de tubos en todas las roscas y junte estrechamente las uniones para evitar fugas de aire.

**TUBERÍA DE DESCARGA DE LÍQUIDO CONDENSADO.** Caso de que se instala un tubo de descarga de líquido condensado, el tubo debe tener un tamaño más grande que la conexión, y debe ser tan corta y directa como sea posible y debe estar adecuadamente encaminada al punto de colección. Se debe desechar el líquido condensado en conformidad con las leyes y normativas locales, federales y estatales.

**NOTA:** Todos los sistemas de aire comprimido producen líquido condensado que acumula en todos los puntos de drenaje (por ejemplo, tanques, filtros, tubos de goteo, posrefrigeradores, secadores, etc). Esto líquido condensado contiene aceite lubricante y/o otras materias que deben ser desechadas en conformidad con las leyes y normativas locales, federales y estatales.

## CABLEADO ELÉCTRICO Y CONEXIÓN A TIERRA

**△ ADVERTENCIA** La instalación y el mantenimiento eléctrico deben ser realizados por un electricista calificado que esté familiarizado con todas las leyes y normativas locales, estatales y federales correspondientes.

### NOTA

Este compresor debe ser conectado a un sistema de cableado permanente, metálico, de conexión a tierra o a un terminal de conexión a tierra o un conductor de conexión a tierra del compresor.

**GENERALIDADES** La capacidad nominal del motor indicada en la placa del motor y la fuente de energía deben tener características compatibles de voltaje, fase y hertzios.

**DIÁMETRO DEL CABLE.** El cableado eléctrico entre la fuente de energía y el motor eléctrico varía de acuerdo con los caballos de fuerza del motor. Los conductores de energía deben tener el diámetro adecuado para garantizar protección contra una caída extrema del voltaje durante el arranque. El motor debe incluir información para seleccionar el diámetro de cable adecuado y para fijar las conexiones. Otramente, consulte al Código eléctrico nacional (NEC) o las regulaciones municipales, estatales y federales aplicables. Si se conectan otros equipos eléctricos al mismo circuito, debe considerarse la carga eléctrica total durante la selección de los tamaños apropiados de cable. NO USE CABLES DE DIÁMETRO INSUFICIENTE.

**FUSIBLES.** Consulte el Código Eléctrico Nacional para determinar la capacidad adecuada de los fusibles e interruptores automáticos que se requieren. Al seleccionar los fusibles, recuerde que la corriente de arranque momentánea de un motor eléctrico es mayor que su corriente a plena carga. Se recomiendan fusibles temporizados o de acción retardada.

**CONEXIÓN A TIERRA.** El compresor tiene un cable de potencia con un conductor de conexión a tierra y una toma de conexión a tierra adecuada. La toma debe usarse con un conector instalado y conectado a tierra según todos los códigos y regulaciones locales. Las configuraciones del conector y del enchufe deben ser idénticas. NO USE UN ADAPTADOR.

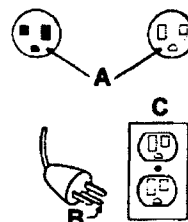
**△ ADVERTENCIA** En caso de un cortocircuito, la conexión a tierra disminuye el riesgo de choque para proveer un escape a la corriente eléctrica. El compresor debe ser debidamente puesto a tierra.

### △ PELIGRO

La instalación incorrecta de la toma de conexión a tierra puede causar un choque eléctrico. Cuando se necesita reparar o reemplazar el cordón o el enchufe, no conecte el hilo de conexión a tierra a cualquier terminal de hoja plana. Un conductor aislado con una cubierta verde con o sin bandas amarillas es el conductor de conexión a tierra.

Comuníquese con un electricista o el personal de servicio si las instrucciones de conexión a tierra no están completamente entendidas o si tiene algún incertidumbre si el compresor está correctamente puesta a tierra. No modifique el enchufe suministrado, cuando el enchufe no está adecuado para la toma; una toma adecuada debe ser instalado por un electricista cualificada.

Este producto debe ser utilizado con un circuito nominal de 120 voltios y tiene un enchufe de conexión a tierra ilustrada en la figura abajo. Asegúrese de que el producto está conectada a un enchufe con una configuración idéntica a la configuración del enchufe. No use un adaptador con este producto.



A=Tierra

B=Clavija de conexión a tierra

C=Salida

**PROLONGACIONES ELÉCTRICAS.** La utilización de tubos de aire adicionales está preferible en lugar de una prolongación eléctrica para evitar una caída de voltaje y pérdida de potencia del motor, y para evitar recalentamiento. Cuando se debe utilizar una prolongación eléctrica, asegúrese de que esta satisfice los siguientes criterios:

- Cordon trafilado con una toma de conexión a tierra con tres hojas, y un receptáculo con tres ranuras para insertar la toma.
- Condición correcta
- No más de 50 pies.
- Calibre 12 o más grande.

**NOTA**

El diámetro de los hilos se aumenta cuando el número del diámetro disminuye. Por ejemplo, los hilos de 10 AWG y 8 AWG están aceptables, mientras los hilos 14 o 16 AWG NO están aceptables.

## LUBRICACIÓN DEL COMPRESOR

**⚠ PRECAUCIÓN** No haga funcionar el compresor sin lubricante o con un lubricante inadecuado. Ingersoll-Rand no se hace responsable en caso de fallas del compresor causadas por una lubricación inadecuada.

**LUBRICANTE SINTÉTICO.** Se recomienda usar el Lubricante sintético Ingersoll-Rand para compresores desde el inicio de las operaciones. Consulte la sección de GARANTÍA para obtener información respecto a la garantía ampliada.

**OTROS LUBRICANTES.** Puede usar un lubricante basado en petróleo que sea de primera calidad, que no contenga detergentes, que contenga sólo agentes anticorrosivos, antioxidantes y antiespumantes como aditivos, con una temperatura de desprendimiento de gases explosivos de 440°F (227°C) o superior y un punto de autoencendido de 650°F (343°C) o superior..

Consulte la tabla de viscosidad del lubricante de petróleo a continuación. La tabla pretende servir sólo como guía general. Las condiciones de operación de trabajos pesados requieren una mayor viscosidad. Para obtener más recomendaciones, consulte a su Distribuidor sobre sus condiciones de operación específicas.

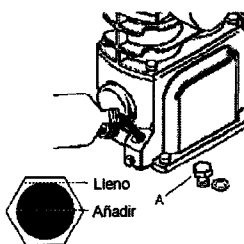
Temperatura alrededor del compresor		Viscosidad a 100°F (37,8°C)		Grado de viscosidad	
°F	C.	SUS	Centistokes	ISO	SAE
40 y inferior	4,4 y inferior	150	32	32	10
40 - 80	4,4 - 26,7	500	110	100	30
80 - 125	26,7 - 51,0	750	165	150	40

Si usa un lubricante basado en petróleo para el compresor al comenzar la operación y luego decide cambiarse al Lubricante sintético Ingersoll-Rand para compresores, se debe completamente descarbonizar las válvulas del compresor y lavar abundantemente el cárter antes de la conversión.

### PROCEDIMIENTOS DE LLENADO DE LA BOMBA DEL COMPRESOR:

1. Destornille y saque el tapón de llenado de aceite (A).
2. Llène el cárter de aceite lentamente con lubricante hasta el lubricante llega a la rosca superior de la apertura de llenado de aceite y la parte superior de la ventanilla de nivel. La capacidad del cárter está una (1) pinta (0,5 litro).
3. Vuelva a poner el tapón del aceite y **APRIETE ÚNICAMENTE A MANO.**

#### Procedimientos de llenado



## OPERACIÓN

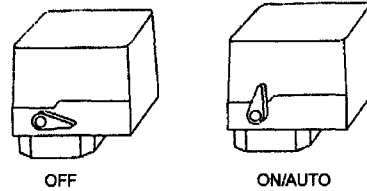
### GENERALIDADES

El compresor fue diseñado para funcionar a un régimen continuo de 100% con el uso el lubricante sintético Ingersoll-Rand para compresores y un régimen continuo de 60% con el uso de otros lubricantes de petróleo. O sea, el uso de un lubricante sintético permite al compresor de bombear continuamente sin ciclación. Un lubricante de petróleo limita al compresor de funcionar un máximo de 36 minutos de tiempo de bombeo por hora. El compresor no debe ciclar más de 10 veces por hora..

### ARRANQUE NORMAL

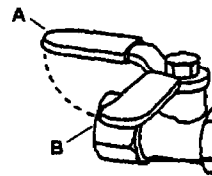
1. Ponga la palanca del disyuntor neumático en la posición "OFF".

#### Palanca del disyuntor neumático



2. Cierre la válvula de servicio.

#### Válvula de servicio



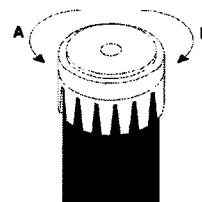
3. Conecte el tubo y los accesorios
4. Ponga la palanca del disyuntor neumático en "ON/AUTO". La unidad se arranque.
5. Permite que la presión del tanque receptor aumenta. El motor se para cuando la presión del tanque receptor se llenará a la presión de corte.
6. Abre la válvula de servicio. La unidad está lista para operación.

**NOTA**

Cuando la presión del tanque receptor baja a menos del mínimo preestablecido en la fábrica,, el disyuntor neumático se ponga a cero y re arranque la unidad.

Si su unidad es equipada con un regulador, ajuste el regulador a la presión secundaria deseada sacando fuera el disco de ajuste y girando dextrorso (B) para aumentar la presión, o sinistrorso (A) para disminuir la presión. Oprima el disco cuando la presión deseada está establecida.

#### Regulador



### PARADA

1. Ponga la palanca del disyuntor neumático en la posición "OFF".
2. Cierre la válvula de servicio completamente.
3. Saque la herramienta neumática o los accesorios.
4. Lentamente abra la válvula de servicio para purgar la presión de aire a 20 psig.
5. Lentamente abra la válvula de drenaje manual al fondo del tanque receptor para drenar todo el condensado (agua).
6. Cierre la válvula de drenaje y la válvula de servicio para su uso futuro.

## MANTENIMIENTO

- ADVERTENCIA** Desconecte el compresor y descargue la presión del tanque antes de ejecutar el mantenimiento.
- NOTA** Todos los sistemas de aire comprimido contienen componentes sujetos a mantenimiento (por ejemplo, aceite lubricante, filtros, separadores) que deben reemplazarse periódicamente. Estos componentes gastados pueden o no contener sustancias reguladas y se deben desechar en conformidad con las leyes y normativas locales, federales y estatales.
- NOTA** Tome nota de las posiciones y ubicaciones de piezas durante el desmontaje para facilitar el reensamblaje. Las secuencias del montaje y las piezas ilustradas pueden diferir por su unidad particular.
- NOTA** Consulte al manual del usuario para los programas y procedimientos de mantenimiento del motor.
- NOTA** Cualquier operación de servicio que no se incluya en esta sección debe ser ejecutada por un representante autorizado.

### PROGRAMA DE MANTENIMIENTO DE RUTINA

<b>Diariamente o antes de cada operación</b>	<ul style="list-style-type: none"> <li>● Revise el nivel del lubricante. Rellene según sea necesario.</li> <li>● Drene el líquido condensado del tanque receptor. Abra la válvula de drenaje manual, recoja y disponga del líquido condensado según corresponda.</li> <li>● Verifique si hay vibraciones y ruidos inusuales</li> <li>● Asegúrese de que los guardabandas y las cubiertas estén bien sujetos en su lugar.</li> <li>● Asegúrese de que el área alrededor del compresor esté libre de trapos, herramientas, escombros y materiales inflamables o explosivos.</li> </ul>
<b>Semanalmente</b>	<ul style="list-style-type: none"> <li>● Revise el elemento del filtro de aire. Limpie o reemplace si necesario.</li> </ul>
<b>Mensualmente</b>	<ul style="list-style-type: none"> <li>● Verifique si hay fugas de aire Ponga agua jabonosa alrededor de las juntas mientras el compresor está funcionando y observe si se producen burbujas.</li> <li>● Revise el apriete de los tornillos y pernos. Vuelva a apretar si es necesario.</li> <li>● Limpie el exterior.</li> </ul>
<b>3/500 *</b>	<ul style="list-style-type: none"> <li>● Cambie el lubricante de petróleo mientras el cárter esté tibio.</li> </ul>
<b>12/2000 *</b>	<ul style="list-style-type: none"> <li>● Cambie el lubricante sintético mientras el cárter esté tibio.</li> <li>● Reemplace el elemento de filtro.</li> </ul>

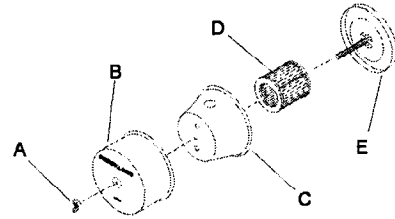
\* indica meses/horas de operación, lo que ocurra primero.

### REEMPLAZO DEL FILTRO

1. Destornille y saque la tuerca de mariposa (A).
2. Saque la cubierta del filtro (B), el deflector (C) y el elemento (D) de la base(E).
3. Instale un nuevo elemento y remonte el conjunto del filtro.

**NOTA** Las aperturas de aspiración de aire en el deflector y la cubierta deben alternarse a 180°. Durante la reinstalación del conjunto a la conexión de entrada, asegúrese de que la apertura de aspiración esta al fondo para minimizar la entrada de materias extrañas desde el aire.

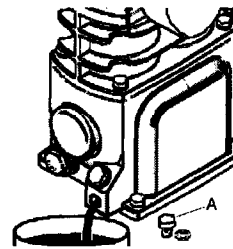
### Cambio del filtro



### CAMBIO DEL ACEITE DE LA BOMBA DEL COMPRESOR

1. Saque el tapón de drenaje de aceite (A) y deje que el lubricante se drene en un contenedor adecuado.
2. Vuelva a poner el tapón de drenaje de aceite.
3. Siga los procedimientos de llenado en la sección de OPERACIÓN.

### Cambio de aceite de la bomba del compresor



### AJUSTE DE LA CORREA

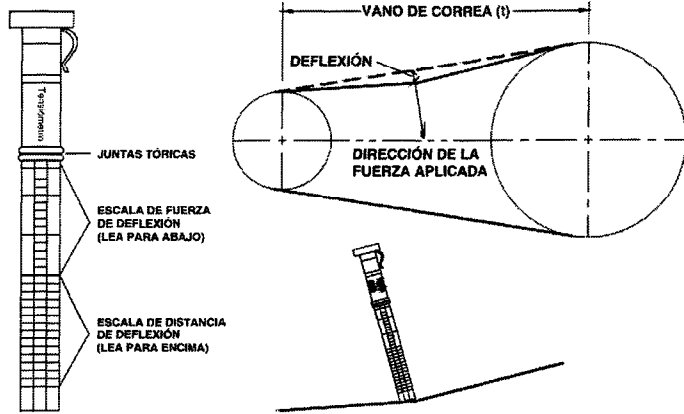
**COMPROBACIÓN DE LA TENSIÓN DE LA CORREA** Compruebe la tensión de la correa, especialmente si aflojamiento está sospechado. Se puede hacer una comprobación rápida para determinar si el ajuste es apropiado, observando si hay un leve arco en el lado flojo de la correa cuando la unidad está en operación. Si hay un leve arco, por lo común la correa está satisfactoriamente ajustada.

**TENSADO DE CORREAS** El tensado de la correa se puede lograr mediante el aflojamiento de los tornillos de anclaje del motor, alejando el motor de la bomba y volviendo a apretar los tornillos de anclaje del motor. El motor se puede mover fácilmente colocando bajo él una herramienta de palanca. Si es necesario el tensado, también puede ser útil un separador comercial u otro dispositivo de tensado de correas.

Sigue los procedimientos a continuación para fijar y medir la tensión de la correa correctamente.

1. Apoye un borde recto en la superficie exterior superior de la transmisión de la correa, desde la polea a la roldana.
2. Al centro del tramo, en forma perpendicular a la correa, aplique la presión a la superficie exterior de la correa con un medidor de tensión. Fuerce la correa hasta la flexión que aparece en la tabla de la derecha. Compare la lectura del medidor de tensión con la siguiente tabla.

Flexión en pulgadas	Tensión mín. (lbs.)	Tensión máx. (lbs.)
0,17	3,0	6,0



Antes de volver a poner en marcha el compresor, compruebe que la polea y la roldana estén adecuadamente alineadas y que los tornillos de anclaje del motor se vuelvan a apretar adecuadamente.

**△ PRECAUCIÓN** La alineación inadecuada de la polea y la roldana y la tensión inadecuada de la correa puede tener como resultado sobrecarga del motor, exceso de vibración y falla prematura de la correa y/o el rodamiento.

Para evitar estos problemas, compruebe que la polea y la roldana estén alineadas y que la tensión de la correa sea satisfactoria después de instalar correas nuevas o de tensar correas existentes.

### INSPECCIÓN DEL TANQUE RECEPTOR

La vida útil de un estanque receptor de aire depende de varios factores incluyendo, entre otras cosas, condiciones operativas, ambientes y nivel de mantenimiento. El efecto preciso de estos factores sobre la vida útil del estanque es difícil de predecir; por lo tanto, Ingersoll-Rand le recomienda programar una inspección certificada del estanque durante los primeros cinco años de uso del compresor. Para disponer la inspección de un estanque, comuníquese con I-R Air Center o con su distribuidor más cercano o llame al 1-800-AIR SERV.

Si el estanque no se ha inspeccionado dentro de los primeros 10 años de uso del compresor, se debe dejar inoperativo hasta que haya pasado la inspección. Los estanques que no cumplen con los requisitos deben ser reemplazados.

**△ ADVERTENCIA** El no reemplazar un estanque receptor de aire oxidado puede tener como resultado la ruptura o explosión del dicho estanque, lo que podría provocar importantes daños a la propiedad y graves lesiones a las personas o incluso la muerte. Nunca ni modifique ni repare el estanque. Consiga su reemplazo en el centro de servicio técnico.

## LOCALIZACIÓN DE FALLAS

PROBLEMA	CAUSA POSIBLE	SOLUCIÓN POSIBLE
Desgaste anormal del cilindro, anillo o pistón	<ol style="list-style-type: none"> <li>1. Lubricante poco viscoso.</li> <li>2. Muy poco lubricante.</li> <li>3. Se está usando lubricante tipo detergente.</li> <li>4. Cilindros o pistones rayados, gastados o cortados.</li> <li>5. Atmósfera extremadamente polvorienta.</li> <li>6. Capa superficial del cilindro desgastada.</li> </ol>	<ol style="list-style-type: none"> <li>1. Drene el lubricante y vuelva a llenar con uno adecuado.</li> <li>2. Agregue lubricante al cárter hasta el nivel adecuado.</li> <li>3. Drene el lubricante y vuelva a llenar con uno adecuado.</li> <li>4. Repare o reemplace según sea necesario.</li> <li>5. Instale tubería y acceso de aire remoto a una fuente de aire más limpio. Instale un filtro más eficaz.</li> <li>6. Limpie el cilindro con flex-hone de 180 gránulos.</li> </ol>
La entrega de aire disminuye	<ol style="list-style-type: none"> <li>1. Entrada y/o filtro del tubo de descarga sucio o atascado.</li> <li>2. Filtraciones de aire en la tubería de descarga de aire.</li> <li>3. Lubricante demasiado viscoso.</li> <li>4. Válvulas del compresor rotas, carbonizadas, sueltas o con filtraciones.</li> <li>5. Anillos del pistón dañados o gastados (rotos, rugosos o rayados). Espacio final o separación lateral excesiva.</li> <li>6. Los anillos del pistón no están asentados, están pegados a las ranuras o los espacios finales no están escalonados.</li> <li>7. Cilindros o pistones rayados, gastados o cortados.</li> <li>8. Válvula de seguridad/descarga defectuosa.</li> </ol>	<ol style="list-style-type: none"> <li>1. Limpie o reemplace.</li> <li>2. Revise la tubería y las conexiones.</li> <li>3. Drene el lubricante y vuelva a llenar con uno adecuado.</li> <li>4. Inspeccione las válvulas. Limpie o reemplace según sea necesario. Instale el Juego de válvulas.</li> <li>5. Instale el Juego de anillos.</li> <li>6. Ajuste los anillos del pistón.</li> <li>7. Repare o reemplace según sea necesario.</li> <li>8. Reemplace.</li> </ol>
El compresor no llega a la velocidad deseada	<ol style="list-style-type: none"> <li>1. Rueda de la banda o polea del motor de partida sueltas, juego excesivo en el eje del motor o bandas de la transmisión sueltas.</li> <li>2. Lubricante demasiado viscoso.</li> <li>3. Voltaje de línea incorrecta.</li> <li>4. Válvulas del compresor rotas, carbonizadas, sueltas o con filtraciones.</li> <li>5. Cojinetes de bolas defectuosos en el cigüeñal o eje del motor de partida.</li> </ol>	<ol style="list-style-type: none"> <li>1. Revise la tensión y alineación de la rueda de la banda, polea del motor de partida, cigüeñal, y banda de transmisión. Repare o reemplace según sea necesario.</li> <li>2. Drene el lubricante y vuelva a llenar con uno adecuado.</li> <li>3. Revise el voltaje de línea y mejore según necesario. Comuníquese con un electricista.</li> <li>4. Inspeccione las válvulas. Limpie o reemplace según sea necesario. Instale el Juego de válvulas.</li> <li>5. Inspeccione los cojinetes y reemplace el ensamblaje del cigüeñal si es necesario.</li> </ol>
El compresor tarda en llegar a la velocidad deseada	<ol style="list-style-type: none"> <li>1. Lubricante demasiado viscoso.</li> <li>2. Válvula de retención con filtraciones o asiento de la válvula fundido.</li> <li>3. Temperatura ambiente demasiado baja.</li> <li>4. Motor dañado.</li> </ol>	<ol style="list-style-type: none"> <li>1. Drene el lubricante y vuelva a llenar con uno adecuado.</li> <li>2. Reemplace la válvula de retención.</li> <li>3. Ubique el compresor en un ambiente más cálido. Instale juego calefactor del cárter.</li> <li>4. Reemplace.</li> </ol>
El compresor se vuelve excesivamente caliente durante el funcionamiento	<ol style="list-style-type: none"> <li>1. Ventilación inadecuada en la rueda de la banda.</li> <li>2. Bandas de transmisión muy apretadas o mal alineadas.</li> <li>3. Válvulas del compresor rotas, carbonizadas, sueltas o con filtraciones.</li> <li>4. Sentido erróneo de rotación de la rueda de banda.</li> </ol>	<ol style="list-style-type: none"> <li>1. Ubique el compresor en una posición con mejor ventilación.</li> <li>2. Ajuste las bandas a la tensión y alineación adecuadas.</li> <li>3. Inspeccione las válvulas. Limpie o reemplace según sea necesario. Instale el Juego de válvulas.</li> <li>4. Revise el cableado del motor para conexiones adecuadas. Invierte dos conductores de motores trifásicos.</li> </ol>
Ruido excesivo durante la operación	<ol style="list-style-type: none"> <li>1. Rueda de la banda o polea del motor de partida sueltas, juego excesivo en el eje del motor o bandas de la transmisión sueltas.</li> <li>2. Lubricante demasiado viscoso.</li> <li>3. Muy poco lubricante.</li> <li>4. Válvulas del compresor rotas, carbonizadas, sueltas o con filtraciones.</li> <li>5. Acumulación de carbono sobre el o los pistones.</li> <li>6. Cojinetes de bolas defectuosos en el cigüeñal o eje del motor de partida.</li> <li>7. Válvula de retención con filtraciones o asiento de la válvula fundido.</li> </ol>	<ol style="list-style-type: none"> <li>1. Revise la tensión y alineación de la rueda de la banda, polea del motor de partida, cigüeñal, y banda de transmisión. Repare o reemplace según sea necesario.</li> <li>2. Drene el lubricante y vuelva a llenar con uno adecuado.</li> <li>3. Agregue lubricante al cárter hasta el nivel adecuado.</li> <li>4. Inspeccione las válvulas. Limpie o reemplace según sea necesario. Instale el Juego de válvulas.</li> <li>5. Limpie el o los pistones. Repare o reemplace según sea necesario.</li> <li>6. Inspeccione los cojinetes y reemplace el ensamblaje del cigüeñal si es necesario.</li> <li>7. Reemplace la válvula de retención.</li> </ol>
Demasiadas partidas y paradas	<ol style="list-style-type: none"> <li>1. Filtraciones de aire en la tubería de descarga de aire.</li> <li>2. Diferencial del disyuntor neumático demasiado estrecho.</li> <li>3. Válvula de retención con filtraciones o asiento de la válvula fundido.</li> <li>4. Condensación excesiva en tanque receptor.</li> </ol>	<ol style="list-style-type: none"> <li>1. Revise la tubería y las conexiones.</li> <li>2. Ajuste el disyuntor neumático para aumentar el diferencial si hay ajuste de diferencial. Instale un disyuntor neumático con característica de ajuste de diferencial, si se desea ajuste de diferencial.</li> <li>3. Reemplace la válvula de retención.</li> <li>4. Drene el tanque receptor con la válvula de drenaje manual.</li> </ol>
Consumo alto de aceite	<ol style="list-style-type: none"> <li>1. Entrada y/o filtro del tubo de descarga sucio o atascado.</li> <li>2. Lubricante poco viscoso.</li> <li>3. Se está usando lubricante tipo detergente.</li> <li>4. Anillos del pistón dañados o gastados (rotos, rugosos o rayados). Espacio final o separación lateral excesiva.</li> <li>5. Los anillos del pistón no están asentados, están pegados a las ranuras o los espacios finales no están escalonados.</li> <li>6. Cilindros o pistones rayados, gastados o cortados.</li> <li>7. Cojinetes de la varilla de unión, pasador del pistón o del muñón gastados o cortados.</li> <li>8. Retén del cigüeñal gastado o cigüeñal cortado.</li> <li>9. Capa superficial del cilindro desgastada.</li> </ol>	<ol style="list-style-type: none"> <li>1. Limpie o reemplace.</li> <li>2. Drene el lubricante y vuelva a llenar con uno adecuado.</li> <li>3. Drene el lubricante y vuelva a llenar con uno adecuado.</li> <li>4. Instale el Juego de anillos.</li> <li>5. Ajuste los anillos del pistón.</li> <li>6. Repare o reemplace según sea necesario.</li> <li>7. Inspeccione todo. Repare o reemplace según sea necesario.</li> <li>8. Reemplace el retén o ensamblaje del cigüeñal.</li> <li>9. Limpie el cilindro con flex-hone de 180 gránulos.</li> </ol>

PROBLEMA	CAUSA POSIBLE	SOLUCIÓN POSIBLE
Golpea o tintinea	<ol style="list-style-type: none"> <li>1. Rueda de la banda o polea del motor de partida sueltas, juego excesivo en el eje del motor o bandas de la transmisión sueltas.</li> <li>2. Válvulas del compresor rotas, carbonizadas, sueltas o con filtraciones.</li> <li>3. Acumulación de carbono sobre el o los pistones.</li> <li>4. Cilindros o pistones rayados, gastados o cortados.</li> <li>5. Cojinetes de la varilla de unión, pasador del pistón o del muñón gastados o cortados.</li> <li>6. Cojinetes de bolas defectuosos en el cigüeñal o eje del motor de partida.</li> </ol>	<ol style="list-style-type: none"> <li>1. Revise la tensión y alineación de la rueda de la banda, polea del motor de partida, cigüeñal, y banda de transmisión. Repare o reemplace según sea necesario.</li> <li>2. Inspeccione las válvulas. Limpie o reemplace según sea necesario. Instale el Juego de válvulas.</li> <li>3. Limpie el o los pistones. Repare o reemplace según sea necesario.</li> <li>4. Repare o reemplace según sea necesario.</li> <li>5. Inspeccione todo. Repare o reemplace según sea necesario.</li> <li>6. Inspeccione los cojinetes y reemplace el ensamblaje del cigüeñal si es necesario.</li> </ol>
Lámparas destellantes o débiles durante la operación	<ol style="list-style-type: none"> <li>1. Voltaje de línea incorrecta.</li> <li>2. Cableado o panel de servicio demasiado pequeño.</li> <li>3. Contacto incorrecto de los terminales del motor o conexiones del arrancador.</li> <li>4. Calefactores incorrectos de sobrecarga del arrancador.</li> <li>5. 14. Deficiente regulación de la potencia (línea desbalanceada).</li> </ol>	<ol style="list-style-type: none"> <li>1. Revise el voltaje de línea y mejore según necesario. Comuníquese con un electricista.</li> <li>2. Instale cableado o caja de servicio correctamente dimensionado. Comuníquese con un electricista.</li> <li>3. Provee buen contacto de los terminales del motor o conexiones del arrancador.</li> <li>4. Instale calefactores correctos de sobrecarga del arrancador. Comuníquese con un electricista.</li> <li>5. Consulte a la compañía eléctrica.</li> </ol>
Humedad en el cárter o apariencia "lechosa" en el lubricante de petróleo o herrumbre en los cilindros	<ol style="list-style-type: none"> <li>1. Se está usando lubricante tipo detergente.</li> <li>2. Ciclos de operación muy cortos.</li> <li>3. Compresor ubicado en área húmeda o mojada.</li> </ol>	<ol style="list-style-type: none"> <li>1. Drene el lubricante y vuelva a llenar con uno adecuado.</li> <li>2. Opere el compresor con ciclos de operación más largos.</li> <li>3. Ubique el compresor en otra parte.</li> </ol>
Sobrecarga del motor se desconecta o consume corriente excesivo.	<ol style="list-style-type: none"> <li>1. Lubricante demasiado viscoso.</li> <li>2. Voltaje de línea incorrecta.</li> <li>3. Cableado o panel de servicio demasiado pequeño.</li> <li>4. Contacto incorrecto de los terminales del motor o conexiones del arrancador.</li> <li>5. Calefactores incorrectos de sobrecarga del arrancador.</li> <li>6. 14. Deficiente regulación de la potencia (línea desbalanceada).</li> <li>7. Bandas de transmisión muy apretadas o mal alineadas.</li> <li>8. Válvulas del compresor rotas, carbonizadas, sueltas o con filtraciones.</li> <li>9. Cilindros o pistones rayados, gastados o cortados.</li> <li>10. Cojinetes de la varilla de unión, pasador del pistón o del muñón gastados o cortados.</li> <li>11. Cojinetes de bolas defectuosos en el cigüeñal o eje del motor de partida.</li> <li>12. Válvula de retención con filtraciones o asiento de la válvula fundido.</li> <li>13. Temperatura ambiente demasiado baja.</li> <li>14. Motor dañado.</li> </ol>	<ol style="list-style-type: none"> <li>1. Drene el lubricante y vuelva a llenar con uno adecuado.</li> <li>2. Revise el voltaje de línea y mejore según necesario. Comuníquese con un electricista.</li> <li>3. Instale cableado o caja de servicio correctamente dimensionado. Comuníquese con un electricista.</li> <li>4. Provee buen contacto de los terminales del motor o conexiones del arrancador.</li> <li>5. Instale calefactores correctos de sobrecarga del arrancador. Comuníquese con un electricista.</li> <li>6. Consulte a la compañía eléctrica.</li> <li>7. Ajuste las bandas a la tensión y alineación adecuadas.</li> <li>8. Inspeccione las válvulas. Limpie o reemplace según sea necesario. Instale el Juego de válvulas.</li> <li>9. Repare o reemplace según sea necesario.</li> <li>10. Inspeccione todo. Repare o reemplace según sea necesario.</li> <li>11. Inspeccione los cojinetes y reemplace el ensamblaje del cigüeñal si es necesario.</li> <li>12. Reemplace la válvula de retención.</li> <li>13. Ubique el compresor en un ambiente más cálido. Instale juego calefactor del cárter. Convierta a lubricante sintético.</li> <li>14. Reemplace</li> </ol>
Motor no arranque	<ol style="list-style-type: none"> <li>1. Voltaje de línea incorrecta.</li> <li>2. Cableado o panel de servicio demasiado pequeño.</li> <li>3. Contacto incorrecto de los terminales del motor o conexiones del arrancador.</li> <li>4. Calefactores incorrectos de sobrecarga del arrancador.</li> <li>5. Motor dañado.</li> </ol>	<ol style="list-style-type: none"> <li>1. Revise el voltaje de línea y mejore según necesario. Comuníquese con un electricista.</li> <li>2. Instale cableado o caja de servicio correctamente dimensionado. Comuníquese con un electricista.</li> <li>3. Provee buen contacto de los terminales del motor o conexiones del arrancador.</li> <li>4. Instale calefactores correctos de sobrecarga del arrancador. Comuníquese con un electricista.</li> <li>5. Reemplace</li> </ol>
Aceite en descarga de aire (bombeo de aceite)	<ol style="list-style-type: none"> <li>1. Lubricante poco viscoso.</li> <li>2. Se está usando lubricante tipo detergente.</li> <li>3. Anillos del pistón dañados o gastados (rotos, rugosos o rayados). Espacio final o separación lateral excesiva.</li> <li>4. Los anillos del pistón no están asentados, están pegados a las ranuras o los espacios finales no están escalonados.</li> <li>5. Cilindros o pistones rayados, gastados o cortados.</li> <li>6. Capa superficial del cilindro desgastada.</li> <li>7. Condensación excesiva en tanque receptor.</li> </ol>	<ol style="list-style-type: none"> <li>1. Drene el lubricante y vuelva a llenar con uno adecuado.</li> <li>2. Drene el lubricante y vuelva a llenar con uno adecuado.</li> <li>3. Instale el Juego de anillos.</li> <li>4. Ajuste los anillos del pistón.</li> <li>5. Repare o reemplace según sea necesario.</li> <li>6. Limpie el cilindro con flex-hone de 180 gránulos.</li> <li>7. Drene el tanque receptor con la válvula de drenaje manual.</li> </ol>
Escape de aceite del retén del eje	<ol style="list-style-type: none"> <li>1. Retén del cigüeñal gastado o cigüeñal cortado.</li> </ol>	<ol style="list-style-type: none"> <li>1. Reemplace el retén o ensamblaje del cigüeñal.</li> </ol>
La válvula de seguridad/descarga "salta"	<ol style="list-style-type: none"> <li>1. Entrada y/o filtro del tubo de descarga sucio o atascado.</li> <li>2. Válvulas del compresor rotas, carbonizadas, sueltas o con filtraciones.</li> <li>3. Válvula de seguridad/descarga defectuosa.</li> </ol>	<ol style="list-style-type: none"> <li>1. Limpie o reemplace.</li> <li>2. Inspeccione las válvulas. Limpie o reemplace según sea necesario. Instale el Juego de válvulas.</li> <li>3. Reemplace</li> </ol>

## GARANTÍA

Ingersoll-Rand Company garantiza que los equipos que fabrica y distribuye conforme a este documento estarán libres de defectos tanto en sus materiales como en su fabricación, durante un período de doce (12) meses desde la fecha en que los Equipos se ponen en operación o de dieciocho (18) meses desde el momento del embarque, lo que suceda primero. Ese período de garantía aplicará a todos los equipos, salvo los siguientes: (A) Los compresores que operen exclusivamente con el Lubricante Sintético Ingersoll-para compresores, tendrán una garantía sobre el compresor sin accesorios de veinticuatro (24) meses desde la fecha de inicio de las operaciones o de treinta (30) meses desde la fecha de embarque, lo que ocurra primero. (B) Los repuestos tendrán una garantía de seis (6) meses desde la fecha de embarque Si dentro de dicho período se informa algún tipo de incumplimiento de las condiciones de esta garantía por escrito a la Compañía, ésta a su discreción, corregirá dicho incumplimiento reparando el equipo en forma apropiada, o proporcionará un reemplazo F.O.B. en el punto de embarque, siempre y cuando el comprador haya instalado, mantenido y operado dicho equipo en conformidad con prácticas industriales correctas y haya cumplido con las recomendaciones específicas de la Compañía. Los accesorios o equipos provistos por la Compañía pero fabricados por otros mantendrán cualquier garantía traspasada a Ingersoll-Rand Company por su fabricante y podrán ser transferidas al Comprador. La Compañía no se hará responsable de reparaciones, reemplaces o ajustes a los Equipos o de ningún tipo de costo por mano de obra en que incurra el Comprador que no cuenten con la previa autorización por escrito de la Compañía.

La Compañía no hace ningún tipo de garantía de cumplimiento, a menos que se declare específicamente dentro de sus propuestas y esta garantía excluye específicamente los efectos de la corrosión, erosión y el desgaste normal. En aquellos casos donde expresamente se incluyan garantías de cumplimiento, la obligación de la Compañía será corregirlo en la manera y durante el plazo estipulado más arriba.

LA COMPAÑÍA NO HACE NINGÚN OTRO TIPO DE REPRESENTACIÓN, EXPRESA O IMPLÍCITA, SALVO AQUELLA DE PROPIEDAD Y POR ESTE MEDIO SE DECLINAN TODAS LAS GARANTÍAS IMPLÍCITAS DE COMERCIABILIDAD Y APTITUD PARA UN FIN EN PARTICULAR.

La corrección de los incumplimientos de la Compañía, sean patentes o latentes, en la forma y durante el plazo estipulado más arriba, deberán constituir el cumplimiento de todas las responsabilidades de la Compañía y sus Distribuidores, para aquellos incumplimientos respecto a o que surjan de dichos Equipos.

## LIMITACIÓN DE RESPONSABILIDADES

LOS RECURSOS DEL COMPRADOR ESTIPULADOS EN ESTE DOCUMENTO SON EXCLUSIVOS Y LA RESPONSABILIDAD TOTAL DE LA COMPAÑÍA, SUS DISTRIBUIDORES Y SUMINISTRADORES, CON RESPECTO AL CONTRATO O EQUIPOS Y SERVICIOS PROVISTOS, EN RELACIÓN CON LA EJECUCIÓN O SU FALTA DE CUMPLIMIENTO O QUE SURJAN DE LA FABRICACIÓN, VENTA, ENTREGA, INSTALACIÓN, REPARACIÓN O DIRECCIÓN TÉCNICA CUBIERTA O PROVISTA BAJO UN CONTRATO, YA SEA QUE SE BASEN EN UN CONTRATO, GARANTÍA, NEGLIGENCIA, INDEMNIDAD, RESPONSABILIDAD LIMITADA U OTRO, NO PODRÁN EXCEDER EL PRECIO DE COMPRA DE LA UNIDAD SOBRE LA CUAL SE BASA DICHA RESPONSABILIDAD.

LA COMPAÑÍA, SUS DISTRIBUIDORES Y SUS SUMINISTRADORES NO SERÁN BAJO NINGUNA CIRCUNSTANCIA RESPONSABLES ANTE EL COMPRADOR, ALGÚN SUCESOR O BENEFICIARIO O CESIONARIO DEL CONTRATO, POR EVENTUALES DAÑOS INDIRECTOS, ACCIDENTALES, EMERGENTES, ESPECIALES O PUNITIVOS QUE SURJAN DE ESTE CONTRATO O DE CUALQUIER INCUMPLIMIENTO DE ÉL, O DE CUALQUIER DEFECTO, FALLA O MAL FUNCIONAMIENTO DEL EQUIPO, SE OCASIONEN DICHOS DAÑOS O NO EN LA FALTA DE USO, LA PÉRDIDA DE INGRESOS O UTILIDADES, INTERESES, PÉRDIDA DE PLUSVALÍA, CESE DE TAREAS, DAÑO SOBRE OTROS BIENES, PÉRDIDAS PRODUCTO DEL CIERRE O LA FALTA DE FUNCIONAMIENTO, AUMENTO EN LOS COSTOS DE OPERACIÓN, COSTO DE LA COMPRA DE ENERGÍA DE REEMPLAZO O RECLAMOS DE LOS COMPRADORES O CLIENTES DEL COMPRADOR POR LA INTERRUPCIÓN DEL SERVICIO, SE ORIGINE DICHA PÉRDIDA O DAÑO O NO EN EL CONTRATO, GARANTÍA, NEGLIGENCIA, INDEMNIZACIÓN, RESPONSABILIDAD ABSOLUTA U OTRO.

# ¿Preguntas? Piezas? Servicio?

## 1-800 AIR SERV

**Visite nuestro sitio web:**  
**[www.air.ingersoll-rand.com](http://www.air.ingersoll-rand.com)**

**INFORMATIONS IMPORTANTES ! VEUILLEZ LIRE ET SUIVRE LA PRÉSENTE NOTICE. CONSERVER LA À TITRE DE RÉFÉRENCE.**

**SÉCURITÉ**

**DÉFINITIONS**

- ⚠ **DANGER** OCCASIONNERA la MORT, des BLESSURES ou des dégâts matériels considérables.
- ⚠ **MISE EN GARDE** POURRA occasionner la MORT, des BLESSURES ou des dégâts matériels considérables.
- ⚠ **ATTENTION** OCCASIONNERA ou POURRA occasionner des BLESSURES MINEURES ou des dégâts matériels.

**PRÉCAUTIONS DE SÉCURITÉ GÉNÉRALES**

- ⚠ **DANGER** AIR D'ADMISSION. Peut contenir du monoxyde de carbone ou d'autres contaminants. Cause des blessures ou la mort. Les compresseurs Ingersoll-Rand n'ont été conçus, ni destinés, ni approuvés pour la compression d'air respirable. L'air comprimé ne doit être utilisé pour la respiration au moins qu'il ait été traité d'après les normes et règlement en vigueur pour cette application.
- ⚠ **MISE EN GARDE** TENSION DANGEREUSE. Elle peut causer des blessures graves ou la mort. Débrancher l'alimentation avant réparer. Verrouiller/étiqueter la machine. Le compresseur doit être branché sur un circuit correctement mis à la terre. Reportez-vous aux instructions de la mise à terre dans ce manuel. Ne pas faire fonctionner le compresseur dans des conditions humides. Stocker à l'intérieur.  
  
PIÈCES TOURNANTES. Peut causer des blessures graves. Ne pas opérer sans protections. La machine peut commencer automatiquement. Débrancher avant le service. Verrouiller/étiqueter la machine.  
  
SURFACE CHAUDE. Peut causer des blessures graves. Ne pas toucher. Attendre le refroidissement avant de réparer. Ne pas toucher le compresseur ou la tuyauterie chaude.  
  
AIR SOUS PRESSION ÉLEVÉE. Le contournement, la modification ou le retrait de soupapes de sécurité/détente peut causer des blessures graves ou la mort. Ne pas contourner, modifier ou retirer les soupapes de sécurité/détente. Ne pas diriger les ajutages d'air sur une personne. Les réservoirs corrodés peuvent occasionner une explosion et des blessures graves ou la mort. Vidanger le réservoir quotidiennement ou après chaque utilisation. La soupape de vidange se trouve au fond du réservoir.
- ⚠ **ATTENTION** RISQUE DE DÉLIASSAGE. Utiliser seulement des parties à manipulation d'air acceptable pour des pressions non inférieures à la pression minimale de travail consentie par la machine.

**INFORMATIONS GÉNÉRALES**

Votre compresseur d'air est approprié pour l'emploi d'outils à air, pistolets de calfatage, pistolets graisseurs, sableuses, etc. Selon votre application, les accessoires suivants sont requis :

- Un régulateur de la pression d'air pour ajuster la pression d'air air pressure admis à l'outil ou l'accessoire.
- Un filtre de la ligne d'air pour l'élimination de l'humidité et la vapeur d'huile dans l'air comprimé.
- Un graisseur en ligne pour prolonger la vie des outils pneumatiques.
- Des transformateurs à air séparés combinant les fonctions de régulation d'air et/ou d'élimination de l'humidité et saleté.

Veillez communiquer avec votre distributeur ou appeler le 1-800-AIR-SERV pour plus d'informations sur les outils pneumatiques et accessoires pour votre application.

**PRÉPARATION POUR L'UTILISATION**

**TRANSPORTATION DU COMPRESSEUR**

- ⚠ **ATTENTION** Les roues et la manette ne donnent pas un espacement, une stabilité et support pour tirer le compresseur en haut et en bas d'un escalier ou des marches. Le compresseur doit être élevé ou poussé sur une rampe. Ne pas enlever l'unité avec la manette.

**PRÉPARATION POUR L'EMPLOI**

- GÉNÉRALITÉS.** Choisir un endroit bien éclairé, sec et propre avec beaucoup d'espace de manière à assurer un accès facile aussi bien qu'une ventilation et circulation d'air suffisante pour le refroidissement. Placer l'unité sur une surface plate solide au moins 12 pouces (30 cm) de parois. S'assurer que le compresseur est proprement nivelé.
- TEMPÉRATURE.** La température de marche idéale se situe entre 0 °C et 37,8 °C (32 °F et 100 °F). Pour des températures plus bas, les soupapes de sécurité/détente et les purgeurs doivent être protégés contre la congélation.
- ⚠ **ATTENTION** Ne pas faire fonctionner l'appareil à une température inférieure à -6,6 °C (20 °F) ou supérieure à 51,0 °C (125 °F).
- LIEUX HUMIDES.** Dans un lieu qui est souvent humide, il est possible que de l'humidité se forme dans la pompe, entraînant la formation de boues dans le lubrifiant et l'usure prématurée des pièces mobiles. Une quantité excessive d'humidité aura tendance à se former si le compresseur est situé dans un lieu non chauffé qui est exposé à de grandes variations de température. Voici deux signes d'humidité excessive : la formation de condensation sur la paroi extérieure du compresseur qui refroidit et un lubrifiant à base de pétrole dont l'aspect est laiteux. Vous pouvez empêcher la formation d'humidité dans la pompe par la augmentation de la ventilation ou des intervalles de fonctionnement.
- CONSIDÉRATIONS EN MATIÈRE DE BRUIT.** Pour connaître la réglementation en vigueur concernant les niveaux de bruit, consulter les autorités locales. Pour réduire le bruit excessif, utiliser des amortisseurs de vibrations ou un silencieux d'aspiration, déplacer le compresseur ou construire des enceintes totales ou des murs déflecteurs. Communiquez avec votre distributeur pour obtenir d'assistance.

## INSTALLATION DU FILTRE D'ASPIRATION

**⚠ ATTENTION** Ne pas utiliser l'appareil sans filtre d'aspiration.

Installer le filtre d'aspiration à la connexion d'entrée de la pompe. Lorsqu'une filtration de grande puissance est requise, communiquez avec votre distributeur pour obtenir des informations.

## INSTALLATION DE LA CANALISATION DE REFOULEMENT

Pour l'installation de canalisations de refoulement d'air et de condensat, observer les suivantes lignes guides générales. Communiquer avec votre distributeur pour des informations additionnelles.

**⚠ MISE EN GARDE** Si un refroidisseur de sortie, un clapet antiretour, un robinet de sectionnement ou toute autre restriction est ajoutée au circuit de refoulement du condensat, installer entre cette restriction et le compresseur une soupape de sûreté et de décharge homologuée ASME ayant le format qui convient.

**⚠ ATTENTION** Si le lubrifiant utilisé était du Lubrifiant synthétique pour compresseur Ingersoll-Rand la tuyauterie et les composants en aval du circuit doivent être composés d'un matériau compatible. Se reporter à la liste de matériaux compatibles ci-dessous. Si votre système contient des matériaux incompatibles, ou pour des matériaux non inclus dans la liste, communiquez avec votre distributeur.

### Acceptable :

Viton®, Teflon®, époxydes (chargés à la fibre de verre), alkydes résistants aux huiles, fluorosilicones, hydrocarbures fluorés, polysulfides, uréthanes à 2 composants, nylon, Delrin®, Celcon®, caoutchoucs à forte teneur en nitrile (contenant plus de 36 % d'acrylonitrile), polyuréthane, polyéthylène, épichlorhydrine, polyacrylate, mélamine, polypropylène, résines phénoliques cuites, époxydes, alkydes modifiés  
(® Marque déposée de DuPont Corporation)

### Non recommandés :

Néoprène, caoutchouc naturel, caoutchouc SBR, peintures acryliques, laques, vernis, polystyrène, CPV (PVC), ABS, polycarbonates, acétate de cellulose, caoutchoucs à faible teneur en nitrile (contenant moins de 36 % d'acrylonitrile), EPDM, acétate de vinyle et d'éthylène, latex, caoutchoucs éthylène-propylène (EPR), acryliques, résines phénoxy, polysulfones (PSF), styrène-acrylonitrile, butyle

**GÉNÉRALITÉS.** La tuyauterie, les raccords, le réservoir, etc. doivent être homologués pour fonctionner à la pression maximale de fonctionnement de l'unité. Utiliser des tubes d'acier ou de cuivre à filetage ou à soudage fort et des raccords en fonte dont l'homologation convient à la pression et à la température de refoulement du compresseur. NE PAS UTILISER DE TUBES OU DE RACCORDS EN PLASTIQUE CPV (PVC). Utiliser un cafeutage de filets sur toute la tuyauterie et bien serrer les joints afin de prévenir toute fuite d'air.

**CANALISATIONS DE REFOULEMENT DU CONDENSAT.** Si une canalisation de refoulement du condensat doit être installée, s'assurer que le diamètre de ses tuyaux est supérieur à celui du raccord d'au moins une catégorie, que son circuit est le plus court et le plus direct possible, qu'elle est fixée solidement en place et qu'elle est dirigée vers un point de purge convenable. Le condensat doit être éliminé en conformité avec les lois et règlements en vigueur au niveau municipal, provincial et fédéral.

**REMARQUE :** Tous les systèmes à air comprimé produisent du condensat s'accumulant dans une pointe de décharge (p. ex. Réservoirs, filtres, branches d'égouttage, radiateurs secondaires, sècheurs). Ce condensat contient d'huile lubrifiant et/ou des substances réglementées qui doivent être enlevés selon les lois et les règlements municipaux, provinciaux et fédéraux.

## CÂBLAGE ÉLECTRIQUE ET MISE À TERRE

**⚠ MISE EN GARDE** L'installation et les révisions du circuit électrique doivent être effectuées par un électricien agréé qui connaît les lois et les règlements municipaux, provinciaux et fédéraux qui sont en vigueur.

**REMARQUE** Cet unité doit être connectée à une système de câblage permanente, métallique, mise à la terre, ou une borne pour la mise à terre d'équipement ou un conducteur sur le système.

**GÉNÉRALITÉS.** Les caractéristiques nominales du moteur, indiquées sur la plaquette signalétique, et l'alimentation électrique doivent correspondre aux caractéristiques de la tension, des phases et des cycles.

**CALIBRE DES FILS.** Le câblage reliant l'alimentation électrique et le moteur varie en fonction de la puissance du moteur (HP). Les fils conducteurs doivent avoir le calibre requis pour prévenir une chute excessive de la tension au démarrage. Des renseignements concernant le choix du calibre des fils et l'assujettissement des raccordements devraient vous avoir été fournis avec le moteur. Sinon, se reporter à la Code nationale d'électricité (NEC) ou aux règlements municipaux, provinciaux et fédéraux applicables. Si d'autres équipements électriques sont raccordés sur le même circuit que le compresseur, il faut prendre en considération la charge électrique totale lors de la sélection du calibre des fils. NE PAS UTILISER DE FILS TROP PETITS.

**FUSIBLES.** Se reporter au Code national de l'électricité afin de déterminer les caractéristiques nominales requises du fusible ou du disjoncteur. Au moment de choisir les fusibles, prendre en compte le fait que le courant de pointe lors du démarrage d'un moteur électrique soit supérieur au courant à pleine charge. L'usage de fusibles à retardement ou à fusion temporisée est recommandé.

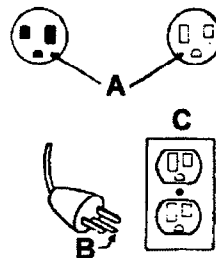
**MISE À TERRE.** Le compresseur est fourni d'un cordon de puissance avec un fil de terre et une fiche de prise de terre appropriée. La fiche doit être avec une prise installée et mise à terre selon toutes les réglementations et codes locaux La configuration de la prise doit être identique à celle de la fiche. NE PAS UTILISER UN ADAPTEUR.

**⚠ MISE EN GARDE** dans le cas d'une secousse en fournissant une sortie pour le courant électrique. Le compresseur doit être mis à la terre correctement.

**⚠ ATTENTION** L'installation incorrecte de la fiche de mise à terre peut provoquer un risque de choc électrique. Si le cordon ou la fiche devront être réparés ou remplacés, ne pas connecter le fil de terre à n'importe quel terminal à lame plate. Le conducteur avec isolation avec une surface verte avec ou sans bandes jaunes est le fil à terre.

Consultez un électricien ou le personnel de service qualifié si les instructions de la mise à terre ne seront pas complètement comprises ou dans le cas de doute que le compresseur est correctement mis à terre. Ne pas modifier la fiche fournie, dans le cas la fiche n'emboîte pas dans la prise ; une prise adéquate doit être installée par un électricien qualifié.

Ce produit est pour utilisation sur un circuit de 120 volts nominaux et contient une fiche de mise à terre illustrée ci-dessous. S'assurer que le produit est connecté à une prise avec la même configuration que la fiche. Ne pas utiliser un adaptateur avec ce produit.



A=Terre

B=Lamelle de masse

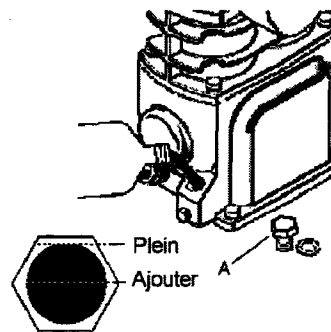
C=Prise

**CÂBLES PROLONGATEURS.** Utilisez des tuyaux d'air plus longues au lieu de câbles prolongateurs pour éviter chute de tension ou perte de puissance du moteur, et pour empêcher surchauffage. Les critères suivants s'appliquent si un câble prolongateur doit être utilisé :

- Câble à trois fils avec une fiche de terre à trois lames, et une prise à trois fentes pour insérer la fiche dans le compresseur.
- Condition appropriée
- Longueur maximale 50 pieds.
- Calibre 12 ou plus large.

**REMARQUE** La dimension du fil augmente avec la diminution du nombre de calibre. Par exemple, les fils 10 AWG et 8 AWG sont acceptables, mais 14 ou 16 AWG NE le sont PAS.

### Procédures de remplissage



## LUBRIFICATION DU COMPRESSEUR

**⚠ ATTENTION** Ne pas faire fonctionner le compresseur sans lubrifiant ou avec un lubrifiant qui ne convient pas. Ingersoll-Rand décline toute responsabilité pour les pannes du compresseur causées par une lubrification inadéquate.

**LUBRIFIANT SYNTHÉTIQUE.** Nous recommandons d'utiliser le lubrifiant synthétique Ingersoll-Rand pour compresseurs dès la mise en marche. Pour de plus amples renseignements concernant la garantie prolongée, se reporter à la section GARANTIE.

**LUBRIFIANTS DE RECHANGE.** On peut utiliser un lubrifiant à base de pétrole à condition qu'il soit de qualité supérieure, qu'il ne contienne aucun détergent, qu'il contienne comme additifs seulement des agents anti-rouille, antioxydants et antimousse, que son point d'éclair soit de 227 °C (440 °F) ou plus et que sa température d'inflammation spontanée soit de 343 °C (650 °F) ou plus.

Se reporter ci-dessous au tableau de viscosité des lubrifiants à base de pétrole. Il est fourni exclusivement à titre d'information. Des conditions de marche rigoureuses nécessitent une viscosité plus élevée. Pour obtenir des recommandations, discuter avec le distributeur des conditions réelles de fonctionnement.

Température autour du compresseur		Viscosité à 100°F (37,8°C)		Catégorie de viscosité	
°F	°C	SUS	Centistokes	ISO	SAE
40 et moins	4,4 et moins	150	32	32	10
40 - 80	4,4 - 26,7	500	110	100	30
80 - 125	26,7 - 51,0	750	165	150	40

Si, après avoir utilisé un lubrifiant pour compresseur à base de pétrole depuis la mise en marche, il est décidé de passer au lubrifiant synthétique Ingersoll-Rand pour compresseurs alors il faudra faire décrocher le compresseur par le distributeur avant d'effectuer la conversion.

### PROCÉDURES POUR LE REMPLISSAGE DE LA POMPE DU COMPRESSEUR :

1. Dévisser et enlever le bouchon du réservoir à huile (A).
2. Remplir le carter lentement avec le lubrifiant, jusqu'à ce que le lubrifiant atteigne le filet supérieur de l'ouverture pour remplissage d'huile et le sommet du voyant. La capacité du carter principal est 0,5 litres (une (1) pinte).
3. Refermer le bouchon d'huile et le SERRER SEULEMENT AVEC LES DOIGTS.

## OPÉRATION

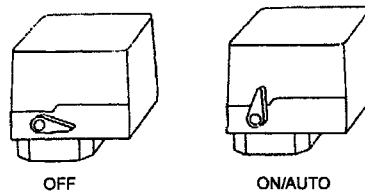
### GÉNÉRALITÉS

Ce compresseur d'air est conçu pour un service continu de 100% en utilisant le lubrifiant synthétique Ingersoll-Rand pour compresseurs et pour un service continu de 60% en utilisant un lubrifiant à base de pétrole. L'utilisation d'un lubrifiant synthétique permet le compresseur de pomper continuellement sans cyclage. Un lubrifiant à base de pétrole limite le compresseur à un maximum de 36 minutes de pompage par heure. La limite de cyclage de la pompe est 10 cycles par heure.

### DÉMARRAGE NORMAL

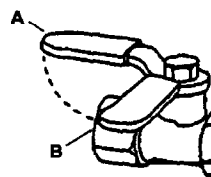
1. Mettre le levier du pressostat dans la position "OFF".

#### Palier du pressostat



2. Fermer la soupape de service.

#### Soupape de service

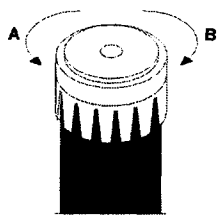


3. Connecter le tuyau et les accessoires.
4. Mettre le levier du pressostat dans la position "ON/AUTO". Le compresseur se démarre.
5. Laisser augmenter la pression dans le réservoir. Le moteur s'arrêtera quand la pression dans le réservoir atteint la pression de disjonction.
6. Ouvrir la soupape de service. Le compresseur est prêt pour l'utilisation.

**REMARQUE :** Si la pression du réservoir se diminue au-dessous du minimum préétabli en usine, le pressostat se remet à zéro et relance le compresseur.

Si votre unité est fournie d'un régulateur, ajuster le régulateur à la pression secondaire voulue en retirant le cadran d'ajustage et le tournant dans le sens horaire (B) pour augmenter la pression ou dans le sens inverse horaire (A) pour diminuer la pression. Enfoncer le cadran quand la pression voulue est établie.

Régulateur



## ARRÊT

1. Mettre le levier du pressostat dans la position "OFF".
2. Fermer la soupape de service complètement.
3. Déconnecter l'outil pneumatique ou l'accessoire.
4. Ouvrir lentement la soupape de service pour purger la pression d'air jusqu'à 20 psig.
5. Ouvrir lentement le purgeur manuel au fond du réservoir pour vidanger tout condensat (eau).
6. Fermer la soupape de vidange et la soupape de service pour l'utilisation future.

## ENTRETIEN

**△ MISE EN GARDE** Débrancher le compresseur et purger la pression d'air avant d'effectuer l'entretien.

**REMARQUE** Tous les systèmes d'air comprimé comportent des éléments (par ex. l'huile lubrifiante, les filtres, les séparateurs) qui sont remplacés périodiquement. Ces éléments peuvent être ou peuvent contenir des substances réglementées qui doivent être éliminées en conformité avec les lois et les règlements en vigueur au niveau municipal, provincial et fédéral.

**REMARQUE** Lors du démontage, prendre note de la position et de l'orientation des pièces afin de faciliter leur assemblage éventuel. Les séquences d'assemblage ainsi que les pièces figurant dans les illustrations peuvent ne pas correspondre à votre appareil.

**REMARQUE** Référez-vous au manuel de l'utilisateur pour les calendriers et les procédures d'entretien.

**REMARQUE** Tout entretien ne figurant pas dans la présente section doit être effectué par un agent d'entretien autorisé.

## CALENDRIER POUR L'ENTRETIEN DE ROUTINE

- |   |  |
|---|--|
| <p><b>Tous les jours ou avant chaque mise en marche</b></p> | <ul style="list-style-type: none"> <li>● Vérifier le niveau de lubrifiant. Remplir au besoin.</li> <li>● Vidanger le réservoir de condensat. Ouvrir le purgeur manuel, capter le condensat et l'éliminer de la manière appropriée.</li> <li>● Vérifier si l'appareil émet un bruit ou des vibrations inhabituels.</li> <li>● S'assurer que les carters de courroies et autres sont fixés solidement en place.</li> <li>● S'assurer que l'espace autour du compresseur ne comporte pas de chiffons, d'outils, de débris et de matières inflammables ou explosives.</li> </ul> |
| <p><b>Une fois par semaine</b></p>                          | <ul style="list-style-type: none"> <li>● Inspecter les éléments filtrants du filtre d'aspiration. Les nettoyer au besoin.</li> </ul>   |
| <p><b>Une fois par mois</b></p>                             | <ul style="list-style-type: none"> <li>● Vérifier s'il y a des fuites d'air. Asperger de l'eau savonneuse autour des joints pendant que le compresseur est en marche et vérifier si des bulles se forment.</li> <li>● S'assurer que les vis et les boulons sont bien serrés. Les serrer au besoin.</li> <li>● Nettoyer l'extérieur.</li> </ul>   |
| <p><b>3/500 *</b></p>                                       | <ul style="list-style-type: none"> <li>● Vidanger le lubrifiant à base de pétrole pendant que le carter principal est encore tiède.</li> </ul>   |
| <p><b>12/2000 *</b></p>                                     | <ul style="list-style-type: none"> <li>● Vidanger le lubrifiant synthétique pendant que le carter principal est encore tiède.</li> <li>● Remplacer l'élément filtrant.</li> </ul>  |

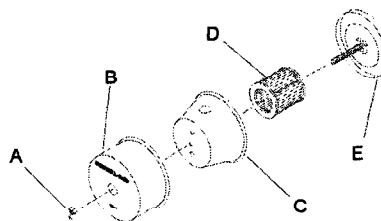
\* indique le nombre de mois ou d'heures de fonctionnement, selon la première éventualité.

## REPLACEMENT DU FILTRE

1. Dévisser et retirer l'écrou à ailettes (A).
2. Retirer le capot du filtre (B), déflecteur (C) et l'élément filtrant (D) de la base (E).
3. Installer un nouvel élément et remonter l'assemblage du filtre

**REMARQUE :** Les trous d'aspiration dans le déflecteur et le capot doivent être décalés à 180°. Pendant l'installation de l'assemblage à la connexion d'aspiration, s'assurer que le trou dans le capot est à bas afin de minimiser l'entrées d'impuretés de l'air.

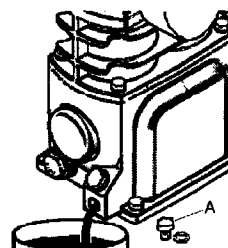
Remplacement du filtre



## VIDANGE D'HUILE DE LA POMPE DU COMPRESSEUR

1. Ouvrir le bouchon de vidange d'huile (A) et laisser le lubrifiant s'écouler dans un contenant propice.
2. Refermer le bouchon de vidange d'huile.
3. Suivre les directives de remplissage de la section MODE D'EMPLOI.

Vidange de l'huile de la pompe du compresseur



## AJUSTEMENT DE LA COURROIE

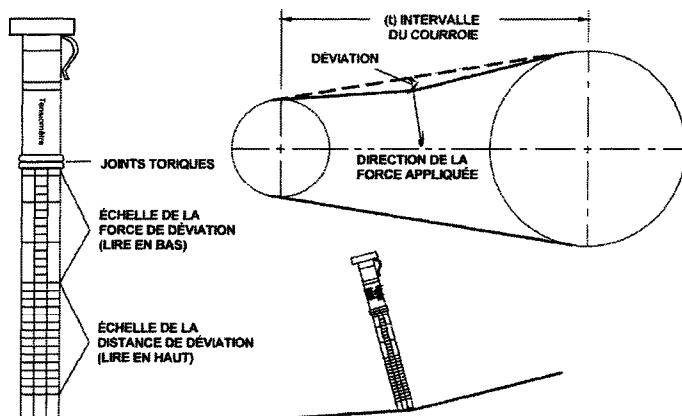
**VÉRIFICATION DE LA TENSION** Vérifier occasionnellement la tension de la courroie, particulièrement si elle semble lâche. Pour une vérification rapide, observer si le brin mou de la courroie est légèrement arqué lorsque l'appareil est en marche. Si c'est le cas, alors l'ajustement de la courroie est généralement adéquat.

**TENSIONNEMENT D'UNE COURROIE** On tensionne la courroie en dévissant les boulons d'ancrage du moteur, puis en écartant le moteur de la pompe en le glissant le long de la base, pour ensuite serrer à nouveau les boulons. Le moteur se déplace facilement en plaçant un levier dessous. Si le tensionnement s'avérait nécessaire, on peut aussi employer un écarteur disponible dans le commerce ou tout autre dispositif de tensionnement pour courroies.

Suivre la procédure ci-dessous pour régler et mesurer correctement la tension de la courroie.

1. Déposer une règle le long de la surface supérieure et extérieure de la courroie, entre la poulie motrice et le volant.
2. À mi-chemin entre les deux et perpendiculairement à la courroie, jauger la pression à la surface extérieure de la courroie en y appuyant un dynamomètre de tension. Faire fléchir la courroie à la distance figurant au tableau. Comparer la tension lue sur l'instrument à celle qui figure au tableau.

Déflexion (pouces)	Tension min.	Tension max.
0,17	3,0	6,0



Avant de faire démarrer le compresseur, assurer l'alignement exact du centre des rainures de la poulie motrice et du volant ainsi que le serrage des boulons d'ancrage du moteur.

**⚠ ATTENTION** Un alignement incorrect de la poulie et du volant ou un tensionnement inadéquat de la courroie pourrait entraîner une surcharge du moteur, des vibrations excessives et un bris prématuré de la courroie ou du palier.

Afin de prévenir ces problèmes, s'assurer, après avoir installé une nouvelle courroie ou tensionné une courroie existante, que la poulie et le volant sont bien alignés et que la tension de la courroie est adéquate.

## INSPECTION DE LA BOUTEILLE ACCUMULATRICE

La longévité de la bouteille accumulatrice dépend de plusieurs facteurs, y compris, sans s'y restreindre, les conditions d'exploitation, le milieu ambiant et le niveau d'entretien. L'effet exact propre à chacun de ces facteurs est difficile à juger ; voilà pourquoi Ingersoll Rand vous recommande de prévoir une inspection agréée de la bouteille dans les cinq premières années de service du compresseur. Pour commander une inspection de bouteille accumulatrice, communiquer avec le centre IR ou le distributeur de votre région ou composer le 1800AIR SERV.

Une bouteille qui n'a pas subi d'inspection au cours des 10 premières années de service du compresseur doit être retirée du service jusqu'à ce qu'elle ait été inspectée. Une bouteille qui ne répond pas aux normes doit être remplacée.

### ⚠ MISE EN GARDE

Si une bouteille accumulatrice rouillée n'est pas remplacée, elle risque d'éclater ou d'exploser, entraînant la possibilité de dommages importants, de blessures graves ou même de décès. Ne jamais modifier ou réparer une bouteille : obtenir une bouteille de rechange dans un centre de service.

## DÉPANNAGE

PROBLÈME	CAUSE POSSIBLE	SOLUTION POSSIBLE
Usure anormale des pistons, des segments ou des cylindres	<ol style="list-style-type: none"> <li>1. Viscosité trop faible du lubrifiant.</li> <li>2. Niveau de lubrifiant trop faible.</li> <li>3. Le lubrifiant utilisé est du type à détergent.</li> <li>4. Les cylindres ou les pistons sont égratignés, usés ou entaillés.</li> <li>5. Atmosphère chargée de poussières.</li> <li>6. Paroi de cylindre usée.</li> </ol>	<ol style="list-style-type: none"> <li>1. Vidanger le lubrifiant actuel et le remplacer par un lubrifiant qui convient.</li> <li>2. Verser du lubrifiant dans le carter principal jusqu'au niveau requis.</li> <li>3. Vidanger le lubrifiant actuel et le remplacer par un lubrifiant qui convient.</li> <li>4. Réparer ou remplacer au besoin.</li> <li>5. Installer une canalisation d'aspiration à distance et l'acheminer vers une source d'air propre. Installer un système de filtration plus efficace.</li> <li>6. Roder le cylindre à l'aide d'un rodoir flexible de 180 grains.</li> </ol>
Chute du débit d'air	<ol style="list-style-type: none"> <li>1. Filtre sale à l'aspiration et/ou au refoulement.</li> <li>2. Fuites d'air dans les canalisations de refoulement.</li> <li>3. Viscosité trop élevée du lubrifiant.</li> <li>4. Fuites, bris ou accumulation de calamine dans les clapets du compresseur.</li> <li>5. Segments de pistons endommagés ou usés (cassés, rugueux ou égratignés). Coupe ou dégagement latéral trop grand.</li> <li>6. Les segments sont hors de leur logement ou coincés dans leurs gorges ou leurs coupes ne sont pas décalées.</li> <li>7. Les cylindres ou les pistons sont égratignés, usés ou entaillés.</li> <li>8. Soupape de sûreté et de décharge défectueuse.</li> </ol>	<ol style="list-style-type: none"> <li>1. Nettoyer ou remplacer.</li> <li>2. Vérifier les tubes et les raccords.</li> <li>3. Vidanger le lubrifiant actuel et le remplacer par un lubrifiant qui convient.</li> <li>4. Inspecter les clapets. Les nettoyer ou les remplacer au besoin. Installer une trousse de rechange clapets et joints.</li> <li>5. Installer une trousse de rechange segments et joints.</li> <li>6. Ajuster les segments.</li> <li>7. Réparer ou remplacer au besoin.</li> <li>8. Remplacer.</li> </ol>
Le compresseur n'atteint pas sa vitesse de marche	<ol style="list-style-type: none"> <li>1. Poulie motrice ou volant de courroie mal serré, trop de jeu dans l'arbre moteur ou courroies d'entraînement lâches.</li> <li>2. Viscosité trop élevée du lubrifiant.</li> <li>3. Tension de ligne inadéquate.</li> <li>4. Fuites, bris ou accumulation de calamine dans les clapets du compresseur.</li> <li>5. Paliers à billes défectueux sur le vilebrequin ou l'arbre moteur.</li> </ol>	<ol style="list-style-type: none"> <li>1. Vérifier le volant, la poulie motrice, le vilebrequin, la tension et l'alignement de la courroie d'entraînement. Réparer ou remplacer au besoin.</li> <li>2. Vidanger le lubrifiant actuel et le remplacer par un lubrifiant qui convient.</li> <li>3. Vérifier la tension de ligne et améliorer les lignes au besoin. Contacter un électricien.</li> <li>4. Inspecter les clapets. Les nettoyer ou les remplacer au besoin. Installer une trousse de rechange clapets et joints.</li> <li>5. Inspecter les paliers et les remplacer au besoin.</li> </ol>
Le compresseur met trop de temps à atteindre sa vitesse de marche	<ol style="list-style-type: none"> <li>1. Viscosité trop élevée du lubrifiant.</li> <li>2. Fuite de la soupape de sûreté ou siège de soupape usé.</li> <li>3. La température de l'air ambiant est trop faible.</li> <li>4. Mauvais moteur.</li> </ol>	<ol style="list-style-type: none"> <li>1. Vidanger le lubrifiant actuel et le remplacer par un lubrifiant qui convient.</li> <li>2. Remplacer la soupape de sûreté.</li> <li>3. Installer le compresseur dans un lieu plus chaud. Installer une trousse de chauffage du carter principal.</li> <li>4. Remplacer.</li> </ol>
Le compresseur devient extrêmement chaud	<ol style="list-style-type: none"> <li>1. Ventilation insuffisante autour du volant de la courroie.</li> <li>2. Courroies d'entraînement trop lâches ou mal alignées.</li> <li>3. Fuites, bris ou accumulation de calamine dans les clapets du compresseur.</li> <li>4. Direction de rotation du volant à contre-voie.</li> </ol>	<ol style="list-style-type: none"> <li>1. Déplacer le compresseur pour un débit d'air amélioré.</li> <li>2. Ajuster les courroies pour leur donner la tension et l'alignement qui convient.</li> <li>3. Inspecter les clapets. Les nettoyer ou les remplacer au besoin. Installer une trousse de rechange clapets et joints.</li> <li>4. Vérifier le câblage du moteur pour des connexions adéquates. Inverser deux conducteurs sur moteurs triphasés.</li> </ol>
Bruit excessif à l'usage	<ol style="list-style-type: none"> <li>1. Poulie motrice ou volant de courroie mal serré, trop de jeu dans l'arbre moteur ou courroies d'entraînement lâches.</li> <li>2. Viscosité trop élevée du lubrifiant.</li> <li>3. Niveau de lubrifiant trop faible.</li> <li>4. Fuites, bris ou accumulation de calamine dans les clapets du compresseur.</li> <li>5. Accumulation de calamine sur le fond des pistons</li> <li>6. Paliers à billes défectueux sur le vilebrequin ou l'arbre moteur.</li> <li>7. Fuite de la soupape de sûreté ou siège de soupape usé.</li> </ol>	<ol style="list-style-type: none"> <li>1. Vérifier le volant, la poulie motrice, le vilebrequin, la tension et l'alignement de la courroie d'entraînement. Réparer ou remplacer au besoin.</li> <li>2. Vidanger le lubrifiant actuel et le remplacer par un lubrifiant qui convient.</li> <li>3. Verser du lubrifiant dans le carter principal jusqu'au niveau requis.</li> <li>4. Inspecter les clapets. Les nettoyer ou les remplacer au besoin. Installer une trousse de rechange clapets et joints.</li> <li>5. Nettoyer les pistons. Réparer ou remplacer au besoin.</li> <li>6. Inspecter les paliers et les remplacer au besoin.</li> <li>7. Remplacer la soupape de sûreté.</li> </ol>
Arrêts et démarrages trop fréquents	<ol style="list-style-type: none"> <li>1. Fuites d'air dans les canalisations de refoulement.</li> <li>2. Différentiel du contacteur manométrique trop étroit.</li> <li>3. Fuite de la soupape de sûreté ou siège de soupape usé.</li> <li>4. Trop de condensat dans le réservoir.</li> </ol>	<ol style="list-style-type: none"> <li>1. Vérifier les tubes et les raccords.</li> <li>2. Ajuster le contacteur manométrique pour augmenter le différentiel, si l'ajustage du différentiel est possible. Installer un presssure contacteur manométrique avec un fonctionnalité d'ajustage du différentiel, si l'ajustage du différentiel est souhaité.</li> <li>3. Remplacer la soupape de sûreté.</li> <li>4. Purger le réservoir à l'aide du purgeur manuel.</li> </ol>

PROBLÈME	CAUSE POSSIBLE	SOLUTION POSSIBLE
Consommation excessive d'huile	<ol style="list-style-type: none"> <li>1. Filtre sale à l'aspiration et/ou au refoulement.</li> <li>2. Viscosité trop faible du lubrifiant.</li> <li>3. Le lubrifiant utilisé est du type à détergent.</li> <li>4. Segments de pistons endommagés ou usés (cassés, rugueux ou égratignés). Coupe ou dégagement latéral trop grand.</li> <li>5. Les segments sont hors de leur logement ou coincés dans leurs gorges ou leurs coupes ne sont pas décalées.</li> <li>6. Les cylindres ou les pistons sont égratignés, usés ou entaillés.</li> <li>7. Une bielle, un axe de piston ou des paliers du maneton sont usés ou entaillés.</li> <li>8. Le joint d'huile est usé ou le vilebrequin est entaillé.</li> <li>9. Paroi de cylindre usée.</li> </ol>	<ol style="list-style-type: none"> <li>1. Nettoyer ou remplacer.</li> <li>2. Vidanger le lubrifiant actuel et le remplacer par un lubrifiant qui convient.</li> <li>3. Vidanger le lubrifiant actuel et le remplacer par un lubrifiant qui convient.</li> <li>4. Installer une trousse de rechange segments et joints.</li> <li>5. Ajuster les segments.</li> <li>6. Réparer ou remplacer au besoin.</li> <li>7. Tout inspecter. Réparer ou remplacer au besoin.</li> <li>8. Remplacer le joint ou le vilebrequin.</li> <li>9. Roder le cylindre à l'aide d'un rodoir flexible de 180 grains.</li> </ol>
Cognements ou cliquetis	<ol style="list-style-type: none"> <li>1. Poulie motrice ou volant de courroie mal serré, trop de jeu dans l'arbre moteur ou courroies d'entraînement lâches.</li> <li>2. Fuites, bris ou accumulation de calamine dans les clapets du compresseur.</li> <li>3. Accumulation de calamine sur le fond des pistons</li> <li>4. Les cylindres ou les pistons sont égratignés, usés ou entaillés.</li> <li>5. Une bielle, un axe de piston ou des paliers du maneton sont usés ou entaillés.</li> <li>6. Paliers à billes défectueux sur le vilebrequin ou l'arbre moteur.</li> </ol>	<ol style="list-style-type: none"> <li>1. Vérifier le volant, la poulie motrice, le vilebrequin, la tension et l'alignement de la courroie d'entraînement. Réparer ou remplacer au besoin.</li> <li>2. Inspecter les clapets. Les nettoyer ou les remplacer au besoin. Installer une trousse de rechange clapets et joints.</li> <li>3. Nettoyer les pistons. Réparer ou remplacer au besoin.</li> <li>4. Réparer ou remplacer au besoin.</li> <li>5. Tout inspecter. Réparer ou remplacer au besoin.</li> <li>6. Inspecter les paliers et les remplacer au besoin.</li> </ol>
Les voyants clignotent ou s'affaiblissent lors du fonctionnement	<ol style="list-style-type: none"> <li>1. Tension de ligne inadéquate.</li> <li>2. Câblage ou panneau de service électrique trop petit.</li> <li>3. Mauvais contact sur les bornes du moteur ou mauvaises connexions du démarreur.</li> <li>4. Mauvais réchauffeurs de surcharge du démarreur.</li> <li>5. Mauvais réglage du puissance (ligne déséquilibré).</li> </ol>	<ol style="list-style-type: none"> <li>1. Vérifier la tension de ligne et améliorer les lignes au besoin. Contacter un électricien.</li> <li>2. Installer un fil ou boîte de service proprement dimensionné. Contacter un électricien.</li> <li>3. Assurer un contact adéquat sur les bornes du moteur ou les connexions du démarreur.</li> <li>4. Installer réchauffeurs de surcharge de démarreur adéquats. Contacter un électricien.</li> <li>5. Contacter la compagnie d'électricité.</li> </ol>
Humidité dans le carter principal ou aspect laiteux du lubrifiant à base de pétrole ou rouille dans les cylindres	<ol style="list-style-type: none"> <li>1. Le lubrifiant utilisé est du type à détergent.</li> <li>2. Cycles de marche extrêmement légers.</li> <li>3. Le compresseur est situé dans un lieu humide.</li> </ol>	<ol style="list-style-type: none"> <li>1. Vidanger le lubrifiant actuel et le remplacer par un lubrifiant qui convient.</li> <li>2. Faire fonctionner le compresseur par cycles plus longs.</li> <li>3. Déplacer le compresseur.</li> </ol>
Surcharge du moteur se déclenche ou tire courant excessif	<ol style="list-style-type: none"> <li>1. Viscosité trop élevée du lubrifiant.</li> <li>2. Tension de ligne inadéquate.</li> <li>3. Câblage ou panneau de service électrique trop petit.</li> <li>4. Mauvais contact sur les bornes du moteur ou mauvaises connexions du démarreur.</li> <li>5. Mauvais réchauffeurs de surcharge du démarreur.</li> <li>6. Mauvais réglage du puissance (ligne déséquilibré).</li> <li>7. Courroies d'entraînement trop lâches ou mal alignées.</li> <li>8. Fuites, bris ou accumulation de calamine dans les clapets du compresseur.</li> <li>9. Les cylindres ou les pistons sont égratignés, usés ou entaillés.</li> <li>10. Une bielle, un axe de piston ou des paliers du maneton sont usés ou entaillés.</li> <li>11. Paliers à billes défectueux sur le vilebrequin ou l'arbre moteur.</li> <li>12. Fuite de la soupape de sûreté ou siège de soupape usé.</li> <li>13. La température de l'air ambiant est trop faible.</li> <li>14. Mauvais moteur.</li> </ol>	<ol style="list-style-type: none"> <li>1. Vidanger le lubrifiant actuel et le remplacer par un lubrifiant qui convient.</li> <li>2. Vérifier la tension de ligne et améliorer les lignes au besoin. Contacter un électricien.</li> <li>3. Installer un fil ou boîte de service proprement dimensionné. Contacter un électricien.</li> <li>4. Assurer un contact adéquat sur les bornes du moteur ou les connexions du démarreur.</li> <li>5. Installer réchauffeurs de surcharge de démarreur adéquats. Contacter un électricien.</li> <li>6. Contacter la compagnie d'électricité.</li> <li>7. Ajuster les courroies pour leur donner la tension et l'alignement qui convient.</li> <li>8. Inspecter les clapets. Les nettoyer ou les remplacer au besoin. Installer une trousse de rechange clapets et joints.</li> <li>9. Réparer ou remplacer au besoin.</li> <li>10. Tout inspecter. Réparer ou remplacer au besoin.</li> <li>11. Inspecter les paliers et les remplacer au besoin.</li> <li>12. Remplacer la soupape de sûreté.</li> <li>13. Installer le compresseur dans un lieu plus chaud. Installer une trousse de chauffage du carter principal. Convertir l'appareil au lubrifiant synthétique.</li> <li>14. Remplacer</li> </ol>
Moteur ne démarre pas	<ol style="list-style-type: none"> <li>1. Tension de ligne inadéquate.</li> <li>2. Câblage ou panneau de service électrique trop petit.</li> <li>3. Mauvais contact sur les bornes du moteur ou mauvaises connexions du démarreur.</li> <li>4. Mauvais réchauffeurs de surcharge du démarreur.</li> <li>5. Mauvais moteur.</li> </ol>	<ol style="list-style-type: none"> <li>1. Vérifier la tension de ligne et améliorer les lignes au besoin. Contacter un électricien.</li> <li>2. Installer un fil ou boîte de service proprement dimensionné. Contacter un électricien.</li> <li>3. Assurer un contact adéquat sur les bornes du moteur ou les connexions du démarreur.</li> <li>4. Installer réchauffeurs de surcharge de démarreur adéquats. Contacter un électricien.</li> <li>5. Remplacer</li> </ol>

<b>PROBLÈME</b>	<b>CAUSE POSSIBLE</b>	<b>SOLUTION POSSIBLE</b>
De l'huile dans l'air de refoulement (pompage d'huile)	<ol style="list-style-type: none"> <li>1. Viscosité trop faible du lubrifiant.</li> <li>2. Le lubrifiant utilisé est du type à détergent.</li> <li>3. Segments de pistons endommagés ou usés (cassés, rugueux ou égratignés). Coupe ou dégagement latéral trop grand.</li> <li>4. Les segments sont hors de leur logement ou coincés dans leurs gorges ou leurs coupes ne sont pas décalées.</li> <li>5. Les cylindres ou les pistons sont égratignés, usés ou entaillés.</li> <li>6. Paroi de cylindre usée.</li> <li>7. Trop de condensat dans le réservoir.</li> </ol>	<ol style="list-style-type: none"> <li>1. Vidanger le lubrifiant actuel et le remplacer par un lubrifiant qui convient.</li> <li>2. Vidanger le lubrifiant actuel et le remplacer par un lubrifiant qui convient.</li> <li>3. Installer une trousse de rechange segments et joints.</li> <li>4. Ajuster les segments.</li> <li>5. Réparer ou remplacer au besoin.</li> <li>6. Roder le cylindre à l'aide d'un rodoir flexible de 180 grains.</li> <li>7. Purger le réservoir à l'aide du purgeur manuel.</li> </ol>
Fuite du joint d'huile	<ol style="list-style-type: none"> <li>1. Le joint d'huile est usé ou le vilebrequin est entaillé.</li> </ol>	<ol style="list-style-type: none"> <li>1. Remplacer le joint ou le vilebrequin.</li> </ol>
La soupape de sûreté et de décharge crépite	<ol style="list-style-type: none"> <li>1. Filtre sale à l'aspiration et/ou au refoulement.</li> <li>2. Fuites, bris ou accumulation de calamine dans les clapets du compresseur.</li> <li>3. Soupape de sûreté et de décharge défectueuse.</li> </ol>	<ol style="list-style-type: none"> <li>1. Nettoyer ou remplacer.</li> <li>2. Inspecter les clapets. Les nettoyer ou les remplacer au besoin. Installer une trousse de rechange clapets et joints.</li> <li>3. Remplacer</li> </ol>

## GARANTIE

La société Ingersoll-Rand garantit que l'équipement fabriqué et livré par les présentes ne comporte aucun défaut de matériel ou de malfaçon et ce pendant une période douze (12) mois à partir de la date de mise en service de l'équipement ou de dix-huit (18) mois à partir de la date de livraison, selon la première éventualité. Cette période de garantie s'appliquera à tout équipement, sauf les suivants : (A) Compressors that are operated solely on Ingersoll-Rand synthetic compressor lubricant will have their bare compressor warranted for the earlier of twenty-four (24) months from the date of initial operation or thirty (30) months from the date of shipment. (B) Replacement parts will be warranted for six (6) months from the date of shipment. Si la société est avisée par écrit d'une violation des dispositions de la présente garantie à l'intérieur de la période requise, alors la société s'engage, à son gré, à y remédier soit en réparant correctement l'équipement, soit en fournissant une pièce de rechange FAB du point d'origine, pourvu que l'acheteur ait installé, exploité et entretenu l'équipement conformément aux pratiques acceptées de l'industrie et qu'il ait suivi les recommandations particulières de la société. Les accessoires et les équipements fournis par la société mais fabriqués par un tiers seront protégés par la garantie obtenue du tiers par Ingersoll-Rand et ayant pu être cédée à l'acheteur. La société ne sera en aucun cas tenue responsable des réparations, des remplacements ou des réglages effectués à l'équipement ou du coût de main-d'œuvre engagé par l'acheteur sans l'autorisation écrite préalable de la société.

La société ne fait aucune garantie quant à la performance, exception faite des déclarations particulières faites dans sa proposition. Les effets de la corrosion, de l'érosion ainsi que de l'usure normale sont explicitement exclus des protections assurées par la garantie. Si des garanties de performance ont été explicitement incluses, alors les obligations de la société seront limitées à assurer un correctif de la manière et durant la période précisés ci-dessus.

LA SOCIÉTÉ NE FAIT AUCUNE AUTRE GARANTIE OU DÉCLARATION DE QUELQUE SORTE QUE CE SOIT, DE NATURE IMPLICITE OU EXPLICITE, SAUF EN CE QUI CONCERNE LE TITRE, ET ELLE RENONCE PAR LES PRÉSENTES À TOUTE GARANTIE IMPLICITE DE QUALITÉ LOYALE ET MARCHANDE.

La correction par la société de tout vice, qu'il soit apparent ou caché, de la manière et pendant la période établis ci-dessus, constituera l'accomplissement de toutes les responsabilités de la société et de ses distributeurs en vertu de tout vice qui concerne l'équipement ou qui en découle.

## LIMITATION DE RESPONSABILITÉ

LES RECOURS DE L'ACHETEUR EN VERTU DE LA PRÉSENTE SONT EXCLUSIFS ET LA RESPONSABILITÉ TOTALE DE LA SOCIÉTÉ, DE SES DISTRIBUTEURS ET DE SES FOURNISSEURS EN CE QUI CONCERNE L'EXÉCUTION OU LA VIOLATION DU CONTRAT OU DE L'ÉQUIPEMENT ET DES SERVICES FOURNIS, OU EN CE QUI CONCERNE LA FABRICATION, LA VENTE, LA LIVRAISON, L'INSTALLATION, LA RÉPARATION OU LA DIRECTION TECHNIQUE PRÉVUE AU CONTRAT OU FOURNIE EN VERTU DE CÉ DERNIER, QUE CE SOIT EN VERTU D'UN CONTRAT, D'UNE GARANTIE, DE LA NÉGLIGENCE, D'UNE INDEMNISATION, DE LA RESPONSABILITÉ STRICTE OU AUTREMENT, NE POURRA PAS DÉPASSER LE PRIX D'ACHAT DE L'UNITÉ D'ÉQUIPEMENT SUR LAQUELLE LA RESPONSABILITÉ EST FONDÉE.

LA SOCIÉTÉ, SES DISTRIBUTEURS ET SES FOURNISSEURS NE SERONT DANS AUCUNE ÉVENTUALITÉ TENUS RESPONSABLES ENVERS L'ACHETEUR, SES AYANTS DROIT, SES BÉNÉFICIAIRES OU SES CESSIONNAIRES EN VERTU D'UN CONTRAT DES DOMMAGES-INTÉRÊTS INDIRECTS, ACCESSOIRES, FORTUITS, PARTICULIERS OU EXEMPLAIRES SURVENANT EN VERTU DU PRÉSENT CONTRAT OU DE SA VIOLATION OU D'UN DÉFAUT, D'UNE DÉFECTUOSITÉ OU D'UNE ANOMALIE DE L'ÉQUIPEMENT, QU'ILS SOIENT FONDÉS SUR LA PERTE DE JOUISSANCE, LA PERTE DE PROFITS OU DE REVENUS, L'INTÉRÊT, LA PERTE D'ACHALANDAGE, L'ARRÊT DU TRAVAIL, LES DOMMAGES À D'AUTRES BIENS, LES PERTES EN RAISON D'UN ARRÊT DE FONCTIONNEMENT, L'ACCROISSEMENT DES DÉPENSES D'EXPLOITATION, LE COÛT D'ACHAT D'UNE ALIMENTATION DE RECHANGE OU LES RÉCLAMATIONS DE CLIENTS OU D'ACHETEURS DE CLIENTS EN RAISON D'UNE INTERRUPTION DE SERVICE, PEU IMPORTE QUE TELLE PERTE OU QUE DE TELS DOMMAGES SOIENT FONDÉS SUR UN CONTRAT, UNE GARANTIE, UNE NÉGLIGENCE, UNE INDEMNITÉ, UNE RESPONSABILITÉ STRICTE OU AUTREMENT.

**Questions ? Pièces ? Service ?**

**1-800 AIR SERV**

**Visiter notre site de web :  
[www.air.ingersoll-rand.com](http://www.air.ingersoll-rand.com)**





