



M1572215A

ITEM NUMBER: 1572215

SERIAL NUMBER: _____

Owner's Manual

Instructions for Assembly, Testing, Operation, Servicing, and Storage

Soft wash brush: For using with soft wash systems to gently agitate soft wash mix**

▲ WARNING

READ and UNDERSTAND this Owner's Manual completely before using this brush.

Assemble, test, and use only in accordance with this Owner's Manual instructions.

EXERCISE CAUTION when mixing chemicals as incorrect ratios or mixtures could release harmful gases.

READ and FOLLOW chemical label instructions.

KNOW emergency procedures BEFORE handling chemicals. Leaks, bodily chemical contact, poisoning, and spills require immediate response.

AVOID inhaling, ingesting, or coming into contact with any chemicals.

WEAR personal protective gear when using the brush.

KEEP chemicals away from children and pets. Some chemicals are especially toxic to them.

SOAK vegetation in the area surrounding the work zone well prior to and after applying bleach. Bleach can kill vegetation if not rinsed thoroughly.

ALWAYS keep a fire extinguisher rated "ABC" nearby.

Improper handling of chemicals could result in serious injury or illness to the operator or nearby persons/animals or could cause damage to the environment.

**This brush is recommended for use in applying bleach concentrations of 3% or less. The brush will be damaged, and warranty voided if used to apply any petroleum-based product (gasoline, diesel, kerosene, or oil). WE RECOMMEND THAT THE BRUSH NOT BE USED FOR OTHER PURPOSES ONCE IT HAS BEEN USED FOR BLEACH. Any chemical will leave some residual, even after the brush has been properly cleaned. These residual chemicals can have unexpected effects on future uses. This brush should not be used by people with reduced physical, sensory or mental capabilities or lack of experience and knowledge.

Any Questions, Comments, Problems, or Parts Orders

Call NorthStar Product Support at 1-800-270-0810

Hazard Signal Word Definitions






	<p>This is the safety alert symbol. It is used to alert you to potential personal injury hazards. Obey all safety messages that follow this symbol to avoid possible injury or death.</p>
	<p>DANGER (red) indicates an imminently hazardous situation which, if not avoided, will result in death or serious injury.</p>
	<p>WARNING (orange) indicates a potentially hazardous situation which, if not avoided, could result in death or serious injury.</p>
	<p>CAUTION (yellow) indicates a potentially hazardous situation which, if not avoided, may result in minor or moderate injury.</p>
	<p>CAUTION (yellow) used without the safety alert symbol indicates a potentially hazardous situation which, if not avoided, may result in property damage.</p>

fig01453

Table of Contents

Intended Use	4
Summary of Important Safety Information	5-6
During Assembly	
During Operation	
• General Chemical Safety	
• Chemical Application Safety	
• Chemical Accident Procedures	
Warning Label Locations	7
Component Inventory	
Unpacking	8
Assembly	9
Operation	
Preparing the Brush for Each Use	10
Using the Brush	
Step One: Clear work area	11
Step Two: Using the brush	11
Step Three: Clean brush and decontaminate after use	12
Exploded View and Parts Breakdown	13
Limited Warranty	14

Intended Use

The soft wash brush is intended for use with bleach concentrations of 3% or less.

APPLYING CHEMICALS:

Hazardous chemicals must be handled with caution as directed throughout this manual and on the chemical label.

Always rinse the brush after each use to clean the chemical out of the lance, brush head, and coupler. The life of the brush will be shortened if it is not rinsed after each use.

WE RECOMMEND THAT THE BRUSH NOT BE USED FOR OTHER PURPOSES ONCE IT HAS BEEN USED WITH BLEACH. Any chemical will leave some residual, even after the brush has been properly cleaned. These residual chemicals can have unexpected effects on future uses.

NOTE: The brush will be damaged, and warranty voided, if used to apply any petroleum-based product (gasoline, diesel, kerosene, or oil).

NOTICE: Not for use on painted wood surfaces. Use only on hard, non-porous surfaces.

Contact NorthStar Product Support at 1-800-270-0810 for any questions about the appropriate use of the brush.

Summary of Important Safety Information

⚠ WARNING

Read and understand **this owner's manual** completely before using the brush.
Read each **chemical label's instructions** before handling the chemical.

Improper handling of chemicals could result in serious injury or illness for the operator or nearby persons/animals, or cause damage to the environment.

LISTED BELOW is a summary of safety information of particular importance. See individual sections of this owner's manual for more details.

----- DURING ASSEMBLY -----

- **CHECK and TEST completed assembly** as directed in this manual. Serious injury could result from chemical leaks.

----- DURING OPERATION -----

General Chemical Safety

- **READ and FOLLOW** all chemical label instructions and warnings.
- **AVOID inhaling, ingesting, or coming into contact with any chemicals.**
- **KNOW applicable licensing and regulatory requirements** for the chemical you plan to use.
- **KNOW emergency procedures before handling chemicals.** Carefully review Chemical Accident Procedures listed below and later in this manual. Also see First Aid instructions on the chemical label.
- **WEAR protective clothing, eye protection, and chemical resistant gloves** when using chemical. Wear additional protective gear, such as facemask or apron, as recommended on the chemical label.
- **EXERCISE EXTRA CAUTION around children and pets.** Some chemicals are especially toxic to them. Always keep chemicals away from them.
- **DO NOT MIX OR POUR chemicals in an enclosed, unventilated area.**
- **STORE chemicals in a correctly labeled container and in a secure location.**
- **MONITOR the health of operators frequently exposed to chemicals,** as recommended by the chemical label or local/federal regulations.

Chemical Application Safety

Before Use

- **INSPECT and PREPARE brush before each use** as directed in this manual.
- **CLEAR work area of people/ pets and POST warning notices** to restrict access for the period recommended on chemical label.
- **SOAK** vegetation in the area surrounding the work zone prior to applying bleach. Bleach can kill vegetation if not soaked thoroughly.
- **KEEP chemicals away from children/pets.** Some chemicals can be especially toxic to children and animals.
- **DO NOT ALLOW anyone younger than 16 to handle chemicals** since some chemicals are especially toxic to children.

During Use

- **DO NOT OVERAPPLY chemicals.** Apply at rate recommended by chemical manufacturer. Excess chemicals can be dangerous to humans and animals, damage desirable plants, and contaminate soil and water sources.
- **DO NOT EAT, DRINK, SMOKE, RUB YOUR EYES, or TOUCH YOUR BARE SKIN while handling chemicals.**
- **NEVER POINT THE BRUSH at people or animals.**
- **EXERCISE EXTRA CAUTION when using chemicals near areas accessible to children and pets.**
- **CLEAN up spills immediately** per instructions on chemical labels.

After Use

- **SOAK** vegetation in the area surrounding the work zone immediately after applying bleach. Bleach can kill vegetation if not soaked thoroughly.
- **CLEAN brush immediately after use** according to the directions provided in this manual.
- **DECONTAMINATE yourself after you are done working** and have cleaned the brush. Wash all exposed areas of the body with soap and water and remove and launder clothing.
- **DISPOSE OF or STORE remaining chemicals in secure storage with correctly marked container.**

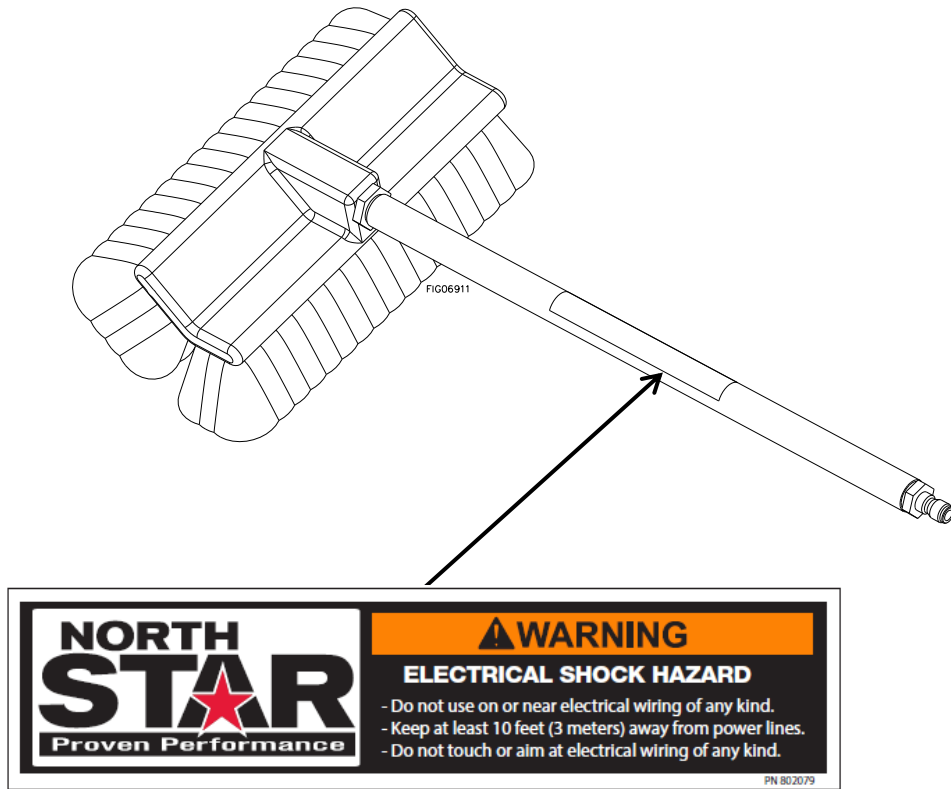
Summary of Important Safety Information (continued)

Chemical accident procedures

Immediate response is necessary in the event of leaks, bodily chemical contact, poisoning, or spills. See instructions below:

Brush leak	If the brush develops a leak, <i>immediately stop use</i>. Follow directions below, as applicable.
Bodily chemical contact	<p>Personal contamination can occur when chemicals splash, spill, or spray directly onto a person.</p> <ol style="list-style-type: none"> 1. Immediately follow First Aid instructions on chemical label. <u>General procedures for contact with bleach or surfactant includes:</u> <ol style="list-style-type: none"> a) Eyes – immediately rinse with water for 15 minutes. If irritation persists, contact a doctor. b) Skin – rinse all contaminated skin surfaces with water. If irritation persists, contact a doctor. c) Clothing – remove contaminated clothing. Dispose of heavily contaminated clothing per chemical label instructions. 2. Seek medical advice if instructed on the label or the victim experiences symptoms of harmful effects. Bring the chemical label for reference.
Poisoning by ingestion or inhalation	<p>In case of poisoning from ingestion or inhalation: <i>If the victim has collapsed or is not breathing, call 911.</i> Otherwise:</p> <ol style="list-style-type: none"> 1. If you are the victim, immediately seek assistance from nearby personnel because you may become incapacitated. 2. Immediately follow first aid instructions on chemical label. <u>General procedures for ingestion or inhalation of bleach or surfactant includes:</u> <ol style="list-style-type: none"> a) For ingestion: Drink a glassful of water. Call a doctor or poison control center. DO NOT induce vomiting unless instructed to do so by a doctor or poison control center. b) For inhalation: Immediately move to fresh air. 3. Call a poison control center for further advice. In the U.S., call 1-800-222-1222. Have the chemical label available for reference.
Chemical spills	<p>Chemical spills must be quickly contained and properly cleaned up.</p> <p>Refer to the chemical label for any specific clean-up instructions.</p> <p><u>General procedures include:</u></p> <ol style="list-style-type: none"> 1. Controlling the spill by stopping the source of the spill. 2. Containing the spill so that it does not spread and get into water sources. 3. Cleaning up the spill immediately. 4. Seeking additional advice from: <ul style="list-style-type: none"> - <u>Chemical manufacturer</u>. See chemical label for contact information. - <u>State pesticide regulatory agency</u>. In the U.S., call the National Pesticide Info. Ctr. at 800-858-7378 for assistance in contacting your state's agency.

Warning Label Location



Part#	Description
802079	Warning Label

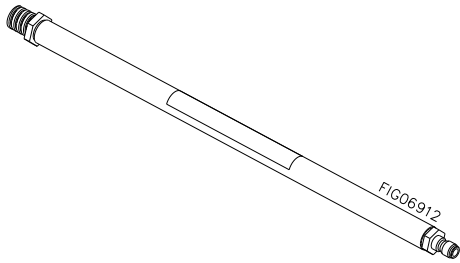
Always make sure safety labels are in place and in good condition. If a safety label is missing or not legible, order new labels or unsafe operation could result.

To order replacement safety labels, call NorthStar Product Support at: 1-800-270-0810.

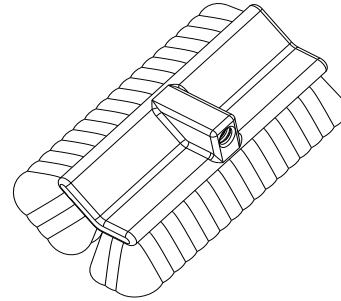
Unpacking

Closely inspect all contents in the shipping carton.

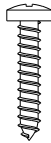
If you have missing or damaged components, please contact NorthStar Product Support at:
1-800-270-0810.



Brush Lance Assembly
Fitting, G1/4" x 3/4" ACME – 801322 (Qty 1)
Fitting, G1/4" x QC Plug – 801323 (Qty 1)
Lance – 801324 (Qty 1)
Gasket – 801326 (Qty 2)



Brush Head
801319
(Qty 1)



801392
Screw, M4 x 20mm self-tapping
(Qty 1)

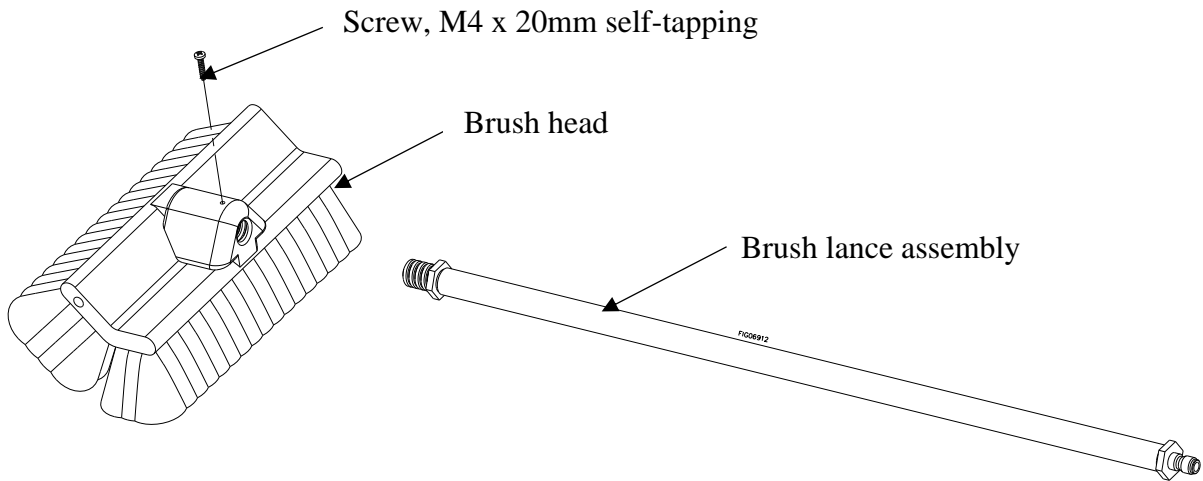
Assembly

Step One: Install brush head.

- Thread brush lance assembly into brush head until tight.
- Install screw to keep head from rotating during use.

Tools Needed

- Screwdriver



Operation – Preparing the Brush for Each Use

If brush has been used previously, it must be prepared BEFORE EACH SUBSEQUENT USE.

⚠ WARNING

- Read instructions below carefully for inspecting and preparing the brush.
- Damaged or clogged equipment could result in leaks or uncontrolled spray.
- Leaks could result in injury to the operator or bystanders from chemical exposure or cause damage to the environment.

Important safety rules:

- **Replacement parts.** If a part needs replacement, only use parts that meet the manufacturer's specifications. Replacement parts that do not meet specifications may result in a safety hazard or poor operation.

1. Ensure clean bristles	Ensure the brush has been thoroughly rinsed of all residual chemicals from prior uses.
2. Inspect & repair	<p style="text-align: center;">⚠ WARNING</p> <p style="text-align: center;"><u>Check and test completed assembly</u></p> <p>Serious injury could result from chemical leaks.</p> <p>Follow the steps below to ensure the brush is properly assembled. Never modify the brush's design.</p> <ol style="list-style-type: none"> a) Inspect fittings for cracks and leaks. Replace all damaged fittings with original NorthStar parts. b) Attach brush to a spray gun and run water through the system and check for leaks throughout the system. If a leak is detected, fix the leak and re-test the system with water. <p><i>IMPORTANT: After any repair work has been done, ALWAYS test for leaks with water one final time before using.</i></p>

Operation – Using the Brush


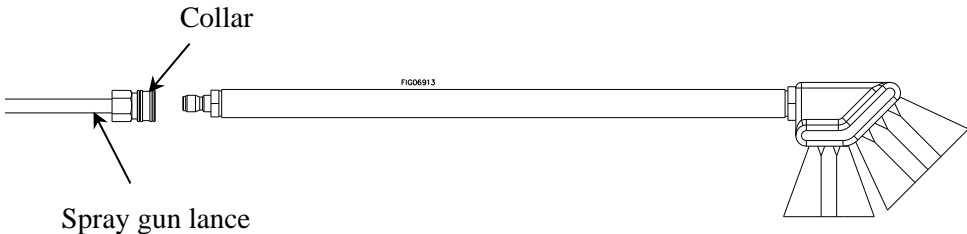
Step 1: Clear work area.

1. Clear work area	<p>Clear the work area of all bystanders and pets.</p> <p>Restrict access by the public for the period recommended on chemical labels.</p>
2. Prep work area	<p>Complete the following before use:</p> <ol style="list-style-type: none"> Cover all electrical outlets and light fixtures on surfaces near the work area. Remove any decorations in proximity to work area. Using fresh water from a garden hose, soak any vegetation that may come into contact with soft wash mix. If cleaning roof with gutters, soak area around downspouts with fresh water.

Step 2: Using the brush.

⚠ WARNING

- ALWAYS wear personal protective equipment as directed on the chemical label.
- Long pants and sleeves, chemical-resistant gloves, and eye protection are strongly recommended. Additional protective gear may be required depending on the particular chemical.

1. Review safety information	<p>Review the <u>Summary of Important Safety Information</u> section provided in this manual.</p>
2. Wear personal protective equipment	<p>Wear personal protective equipment as directed on the chemical label. Goggles, gloves, long sleeves, and pants are recommended while mixing chemical.</p> <p>NOTE: Clothes may be damaged by bleach.</p> <div style="text-align: center;">  </div>
3. Attach to spray gun or soft wash telescoping wand	<p>To attach brush to spray gun:</p> <ol style="list-style-type: none"> Make sure the system is off and depressurized. To install the brush, pull the collar back on the spray gun to be used and twist the brush firmly into the coupler on the end of the spray gun lance. Release the collar, making sure it springs back and re-seats to its original (non-retracted) position. Check the connection by pulling on the brush to ensure a tight connection. If correctly inserted, the brush will rotate but not pull out. <div style="text-align: center;">  </div>
4. Operating the brush	<p>To operate the brush:</p> <p>Pull the trigger of the spray gun or telescoping wand it is attached to. The soft wash mix will begin to flow to the bristles. Once there is flow from the bristles the surface can be agitated with the bristles.</p>

Operation - Using the Brush (continued)

Step 3: Clean brush and decontaminate after use.

When finished using the brush, it is important to clean the brush and decontaminate yourself.

⚠ WARNING

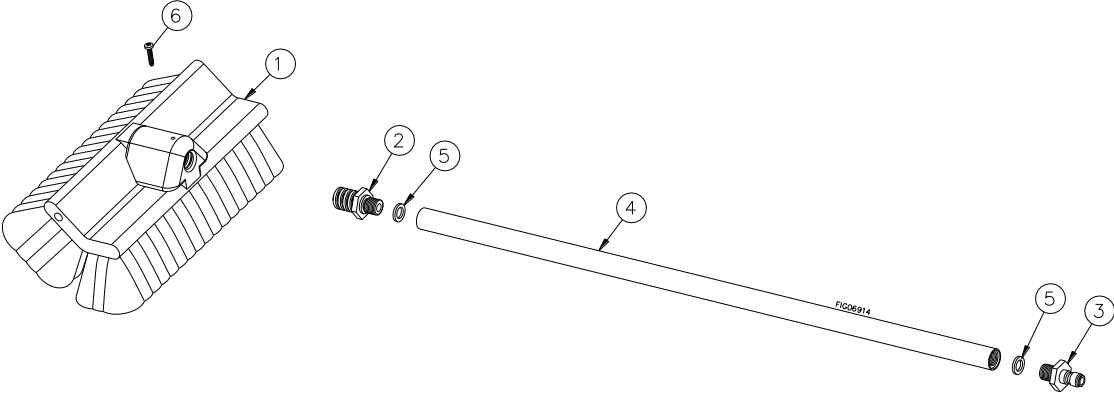
- Clean-up and decontamination procedures must be followed after each use.
- Improper equipment clean-up and disposal of chemicals can result in dangerous chemical exposure to humans and the environment, as well as equipment damage.
- Personal decontamination is required after use to minimize unsafe exposure to chemicals and potential illness.

Rinse brush

A general procedure is as follows:

- a) Add fresh water to the system.
- b) Operate the system and discharge all rinse water onto a hard surface such as a driveway.
- c) Use a garden hose to rinse off bristles.
- d) After rinsing, disconnect power and be sure all system pressure is relieved.

Exploded View and Parts Breakdown – Rev A



Ref #	Part #	Description	Qty
1	801319	Brush head	1
2	801322	Fitting, G1/4" x 3/4"-5 ACME	1
3	801323	Fitting, G1/4" x QC plug	1
4	801324	Lance	1
5	801326	Gasket, fitting	2
6	801392	Screw, M4 x 20mm self-tapping	1

Limited Warranty

Dear Valued Customer:

The NorthStar product you just purchased is built with the finest material and craftsmanship. Use this product properly and enjoy the benefits from its high performance. By purchasing a NorthStar product, you show a desire for quality and durability. Like all mechanical equipment this unit requires a due amount of care. Treat this unit like the high-quality piece of machinery it is. Neglect and improper handling may impair its performance. Please thoroughly read the instructions and understand the operation before using your product.

Limited Warranty

NorthStar shall warranty any piece of equipment manufactured, or parts of equipment manufactured, to be free from defects in material or workmanship for a period of 2 years for noncommercial/nonrental use and a period of 90 days for commercial/rental use from the date of purchase by user.

NorthStar shall warranty any wear item to be free from defects in material or workmanship for a period of 90 days from the date of purchase by user. This warranty applies to the original purchaser of the equipment and is non-transferable. Verification of purchase is the responsibility of the buyer. Parts will be replaced or repaired at no charge, except when the equipment has failed due to lack of proper maintenance, such as flushing the system after each use. Any misuse, abuse, alteration or improper installation or operations will void warranty. Determining whether a part is to be replaced or repaired is the sole decision of NorthStar.

NOTE: Some services performed by parties other than NorthStar may void warranty.

This warranty covers parts only. It will not provide for replacement of complete products due to defective parts.

Components not manufactured by NorthStar are guaranteed by their manufacturer and can be serviced at factory-authorized locations near you. Any costs incurred due to replacement or repair of items outside of a NorthStar approved facility is the responsibility of the buyer and not covered under warranty. NorthStar can supply you with the service center location in your area.

This warranty specifically excludes the following; failure of parts due to damage caused by accident, fire, flood, windstorm, acts of God, applications not approved by NorthStar in writing, corrosion caused by chemicals, use of replacement parts which do not conform to manufacturer's specifications, and damage caused by vandalism. Additional exclusions: loss of running time, inconvenience, loss of income, or loss of use, including any implied warranty of merchantability of fitness for a specific use.

Warranty does not cover items subject to normal wear such as pump cartridges, hoses, spray guns, nozzles, filter elements, tires, receptacles or any part subject to direct physical contact by the public. This warranty does not cover any personal injury or damage to surrounding property caused by failure of any part.

This warranty is in lieu of any other warranty expressed or implied and NorthStar assumes no other responsibility or liability outside that expressed within this warranty.

Please fill in the following information and have it on hand when you call in on a warranty claim.

Customer Number: _____

Date of Purchase: _____

NorthStar Serial Number: _____

Item Number: _____

This page has intentionally been left blank.



Manufactured by
Northern Tool & Equipment Company, Inc.
Burnsville, Minnesota 55306
www.northerntool.com
Made in China