



M1571711A.1

KIT NUMBER : 1571711
SERIAL NUMBER: _____

Owner's Manual

Instructions for Installation of Full Feature Pressure Washer Hose Reel Kit

KIT PART#	USED ON NorthStar ITEM:
1571711	157117

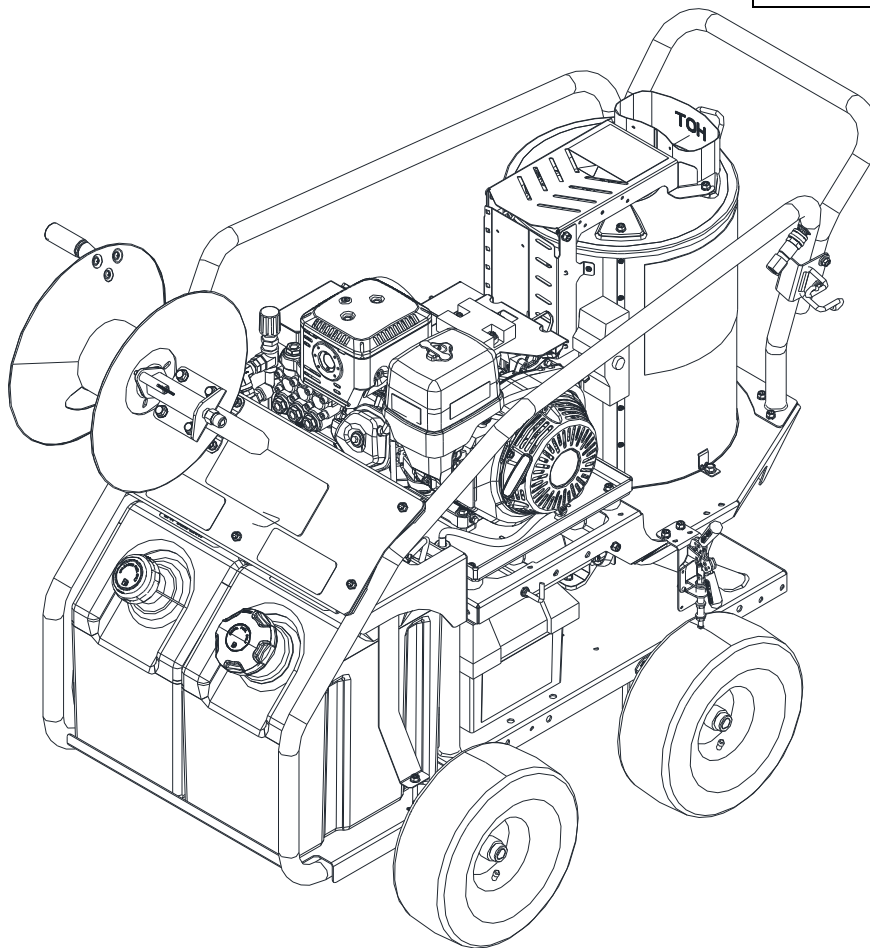


Table of Contents

TABLE OF CONTENTS.....	2
KIT SPECIFICATIONS	3
<i>KIT COMPONENT IDENTIFICATION</i>	4
INITIAL SET-UP	5
Inspect & Unpack	5
HARDWARE BAG.....	6
ASSEMBLY	7
Hose Reel Mounting Instructions	7
Step 1: Install hose reel to billboard plate	7
Step 2: Connect Fittings.....	8
Step 3: Connect 50 ft. hose to hose reel.....	9
Step 4: Connect 68" Hose to Hose Reel.....	9

Any Questions, Comments, Problems, or Parts Orders
Call NorthStar Product Support 1-800-270-0810

Kit Specifications

1571711	
Hose Reel	
Hose Reel	Included
Mounting Kit	N/A, reel mounts to billboard plate on 157117
High Pressure Hose	
Pressure Range	6000 PSI
Max. Temp.	250°F
Length	50 ft.

Kit Component Identification

1. **Hose Reel:** Allows for convenient hose storage.

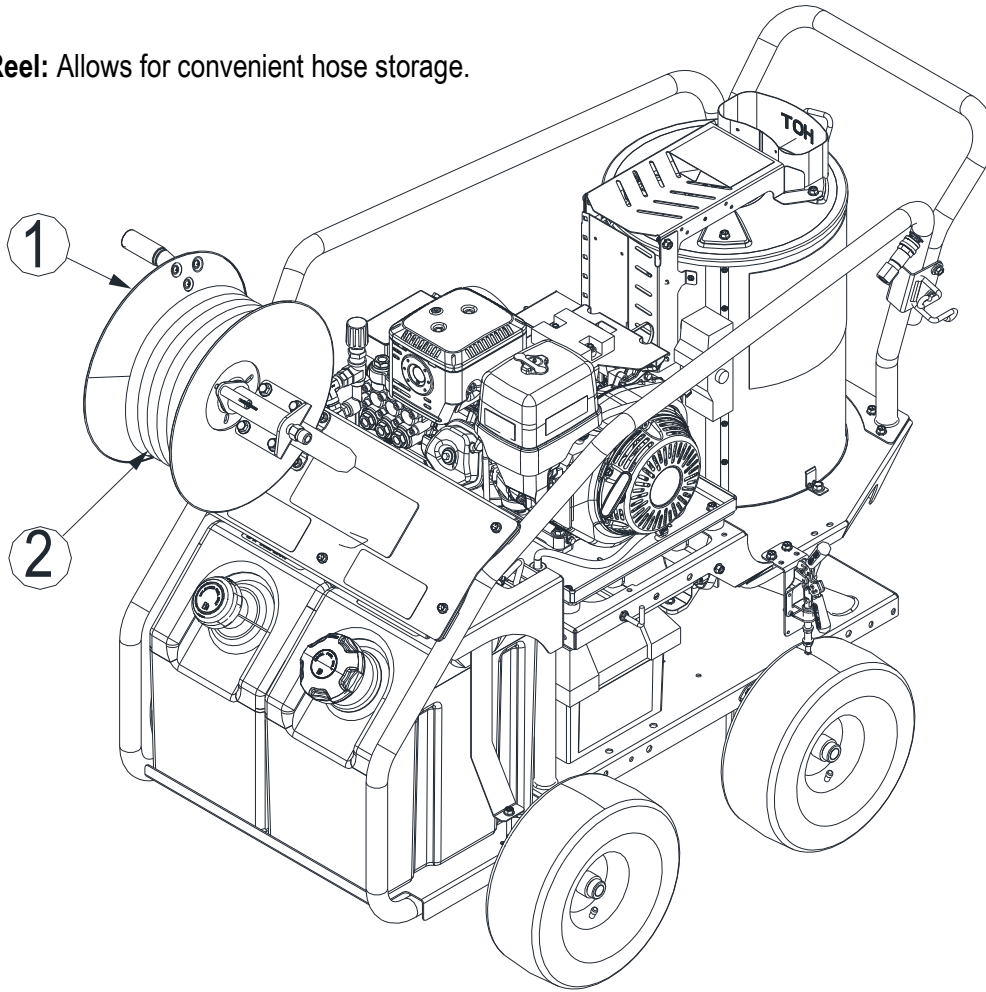


Fig. 1571711-4

1. **Hose Reel:** Allows for convenient hose storage.
2. **Hose:** Non-marking, high pressure hose, with quick couplers for easy use.

Initial Set-Up

Inspect & Unpack

Upon receiving your item check for missing or damaged parts.

See “*Component Identification*” section of this manual for a diagram of the accessories and components.

- For missing or damaged components, please contact Product Support at 1-800-270-0810.

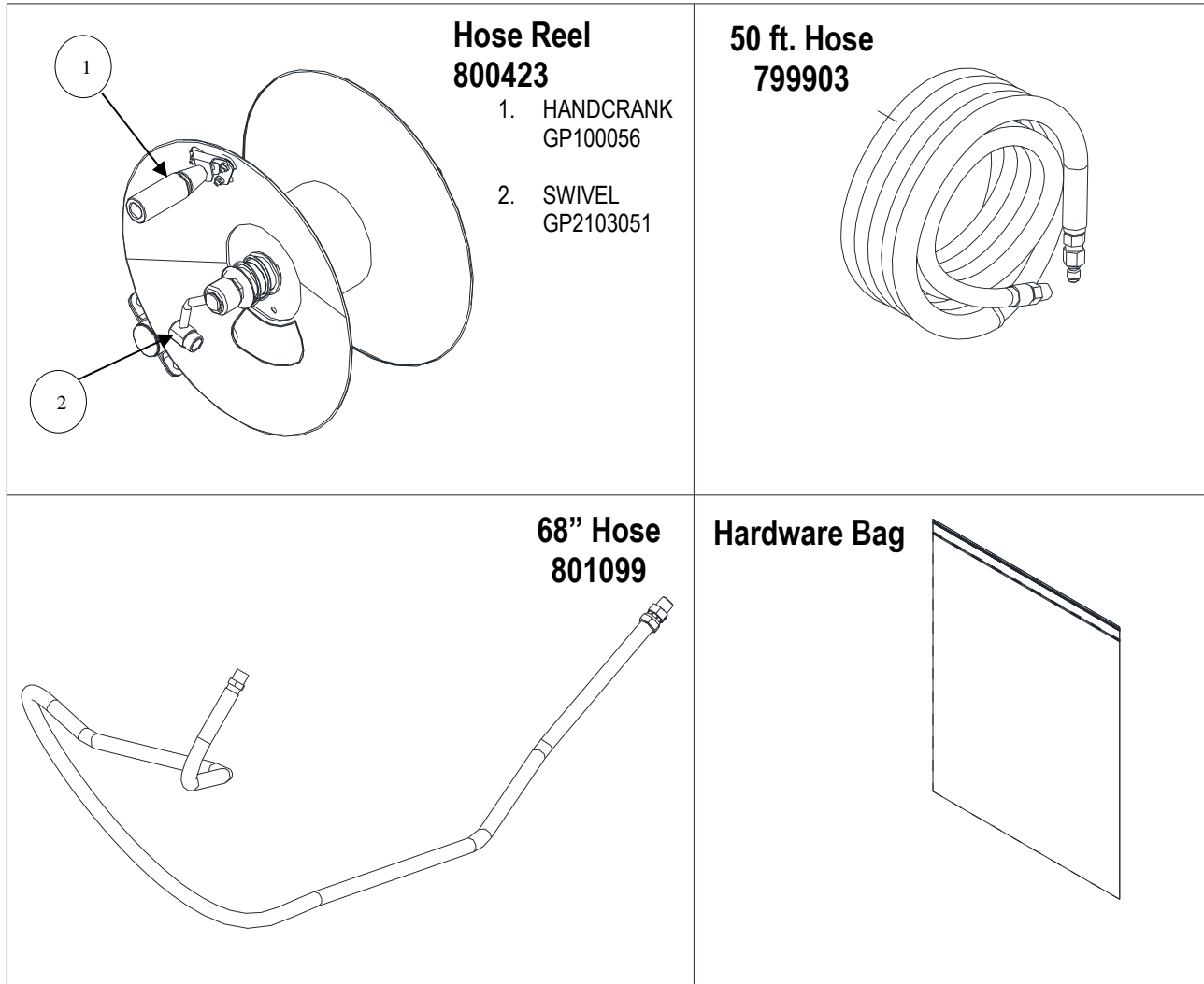
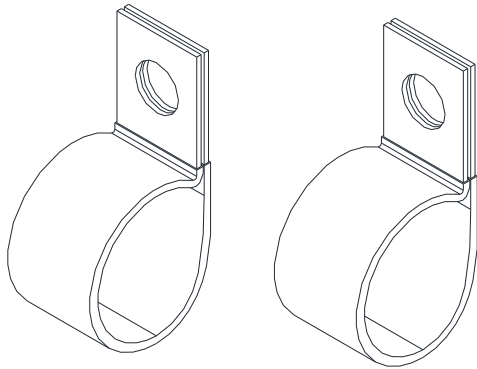
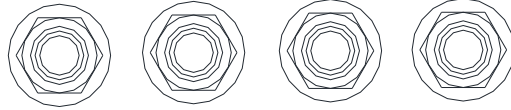


Fig. 1571711-6

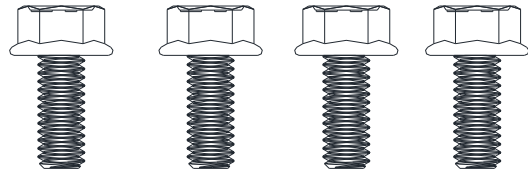
Hardware Bag



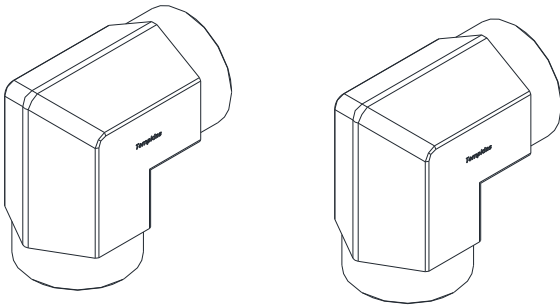
1" Loop Clamp
Qty-2
Part# 779666



5/16" Nyloc Nut
Qty 4
Part# 82630



5/16 x 3/4" HHFB Bolt
Qty-4
Part# 82621



3/8 FPT Elbow
Qty-2
Part# 798262

Fig. 1571711-5

Assembly

Hose Reel Mounting Instructions

Step 1: Install hose reel to billboard plate

A) Using two $\frac{1}{2}$ " wrenches secure hose reel to billboard plate. See fig. 1571711-1

- (1) Hose Reel (800423)
- (4) $\frac{5}{16}$ " x $\frac{3}{4}$ " HHFB Bolt (82621)
- (4) $\frac{5}{16}$ " Nut (82630)

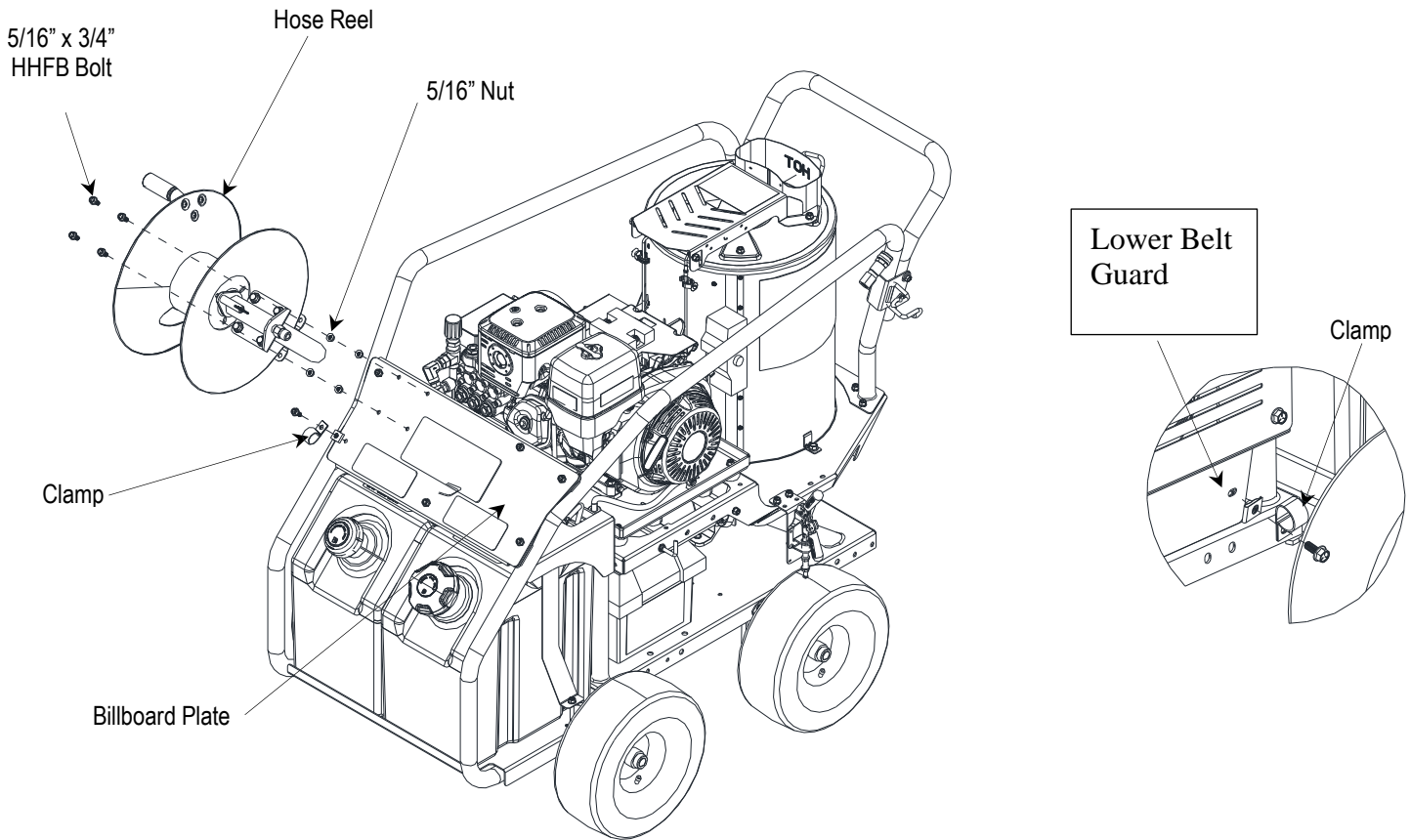


Fig. 1571711-1

Assembly

Step 2: Connect Fittings

- A.) Using a 7/8" wrench attach elbow fitting 798262 on hose reel. Orient fitting as show in fgiture 2A.
- B.) Using a 7/8" wrench remove 3/8" Quick Connect Nipple from High Pressure Outlet Fitting. See Fig. 2B. Keep this fitting it will be reused in step D.
- C.) Using a 7/8" wrench install the second elbow fitting 798262 onto High Pressue Outlet Fitting. Orient fitting as shown in figures 2B & 2C
- D.) Install 3/8" quick connect Nipple form step B onto 50 ft. hose 799903. Fitting should be installed onto the end of the hose with the longer red bend restrictor.

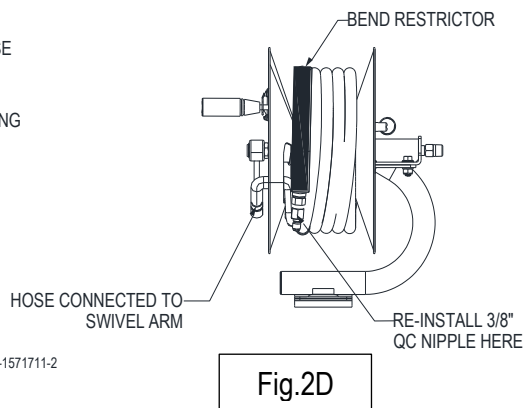
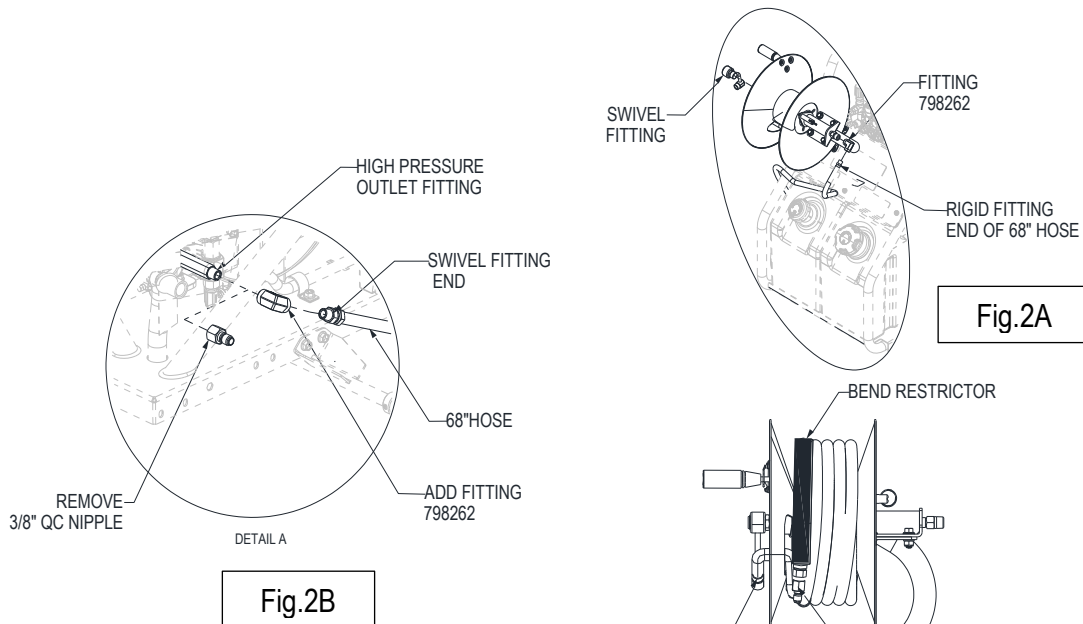
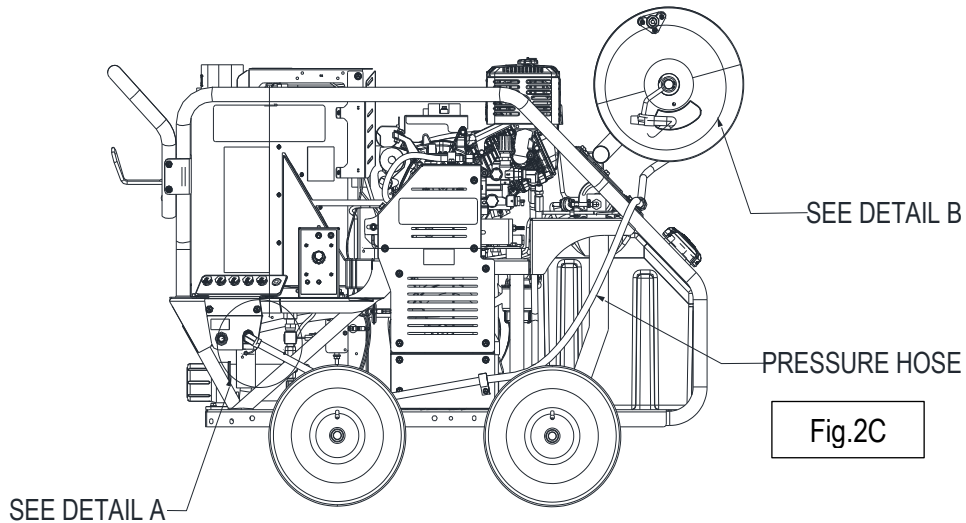


Fig-1571711-2

Assembly

Step 3: Connect 50 ft. hose to hose reel

- A.) Remove swivel arm from hose reel by removing retaining clip. See Fig. 3A.
- B.) Feed the end of the 50 foot hose with the shorter red bend restrictor through hole in hose reel and attach to Swivel arm.
 - a. Alternatively, the Swivel can remain installed and the 50 foot hose end with the short bend restrictor can be attached. Once attached, the hose end with the long bend restrictor can be feed through the hole in the hose reel.
- C.) Reinstall Swivel arm, and snap retaining ring back into place. (if removed)
- D.) The 50 ft. hose can now be wound onto hose reel. If desired the 50 ft. hose that came with the unit can be quick connected to the 3/8" Quick Connect Nipple from step 2D and wound on to the Hose Reel as well.

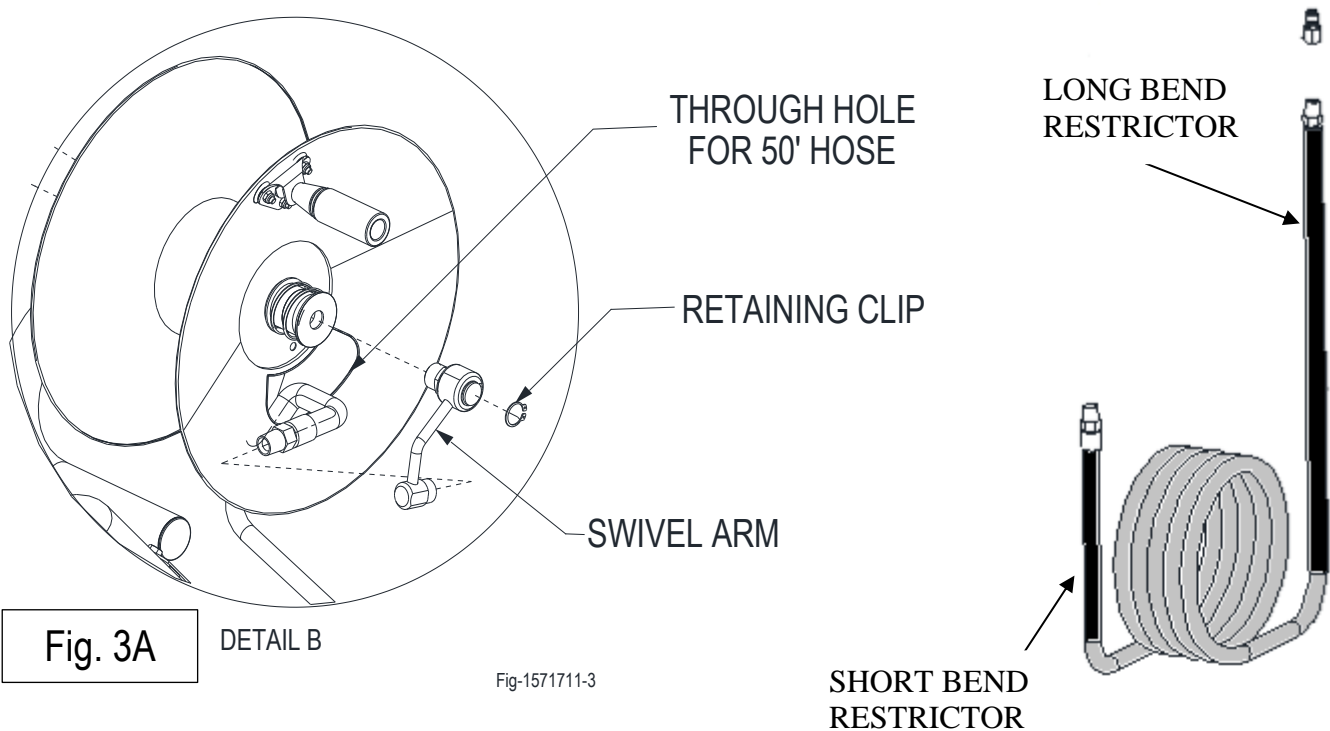


Fig. 3A

DETAIL B

Fig-1571711-3

Step 4: Connect 68" Hose to Hose Reel

- A.) Connect the non-swiveling side of the 68" Hose to the Elbow Fitting on the Hose Reel installed in step 2A
- B.) Gently pry open loop clamps 779666 and slide over 68" Hose. Note orientation in figure 1571711-1
- C.) Using a 1/2" wrench reuse existing fastener on billboard plate to attached the first loop clamp as show in figure 1571711-1
- D.) Using a 1/2" wrench reuse existing fastener on Lower Belt Guard to attached the second loop clamp as show in figure 1571711-1
- E.) Install the swiveling end of the 68" Hose onto the second Elbow Fitting installed onto the High Pressue Outlet Fitting. See fig. 2B & 2C



Assembled by
Northern Tool + Equipment Co.,
2800 SouthCross Drive West
P.O. Box 1499 Burnsville, MN 55337-0499