



M1571110A.1

KIT NUMBER: 1571110
 SERIAL NUMBER: _____

Owner's Manual

Instructions for Installation of Wall mounting Kits for Pressure Washer

KIT PART#	USED ON NorthStar ITEMS:
1571110	1571107, 1571108, 1571109

REF	PART#	DESCRIPTION	QTY	KIT
1	802874	Wall Mount Bracket	1	1571110

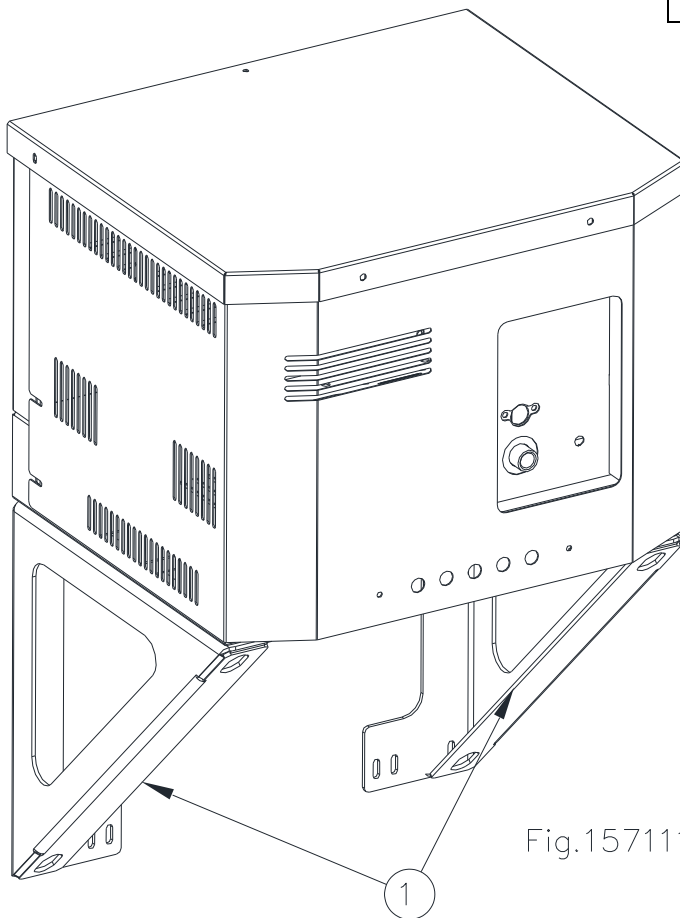


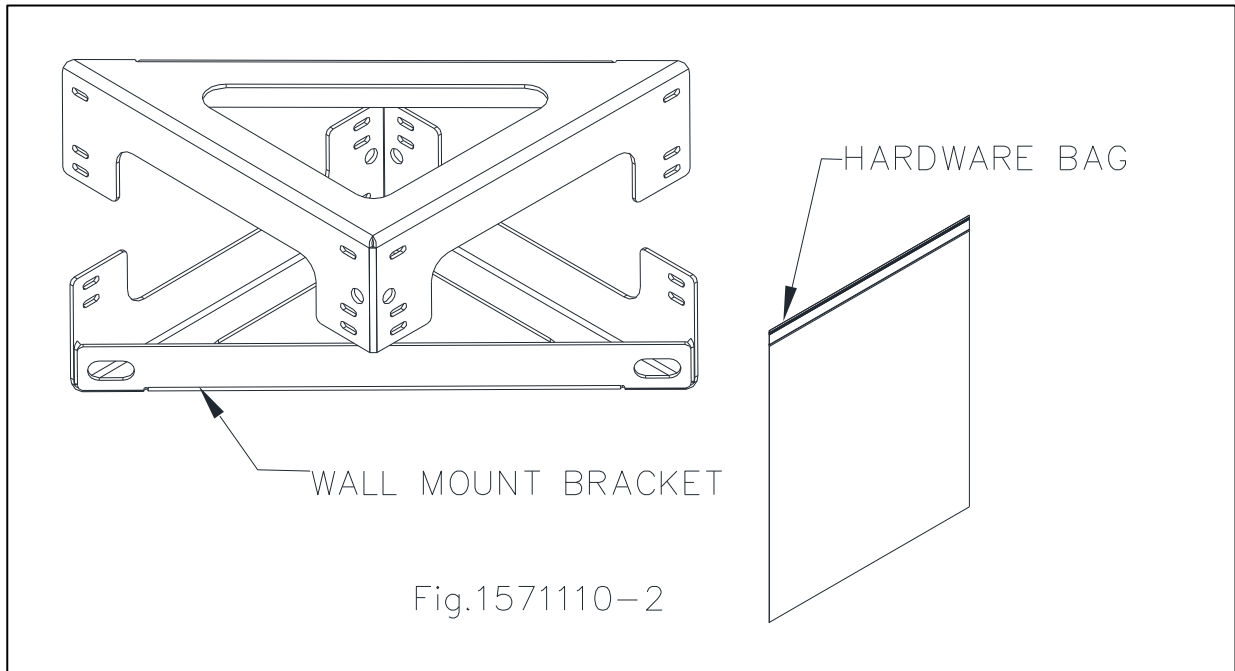
Fig.1571110-1

Initial Set-Up

Step 1. Inspect & Unpack

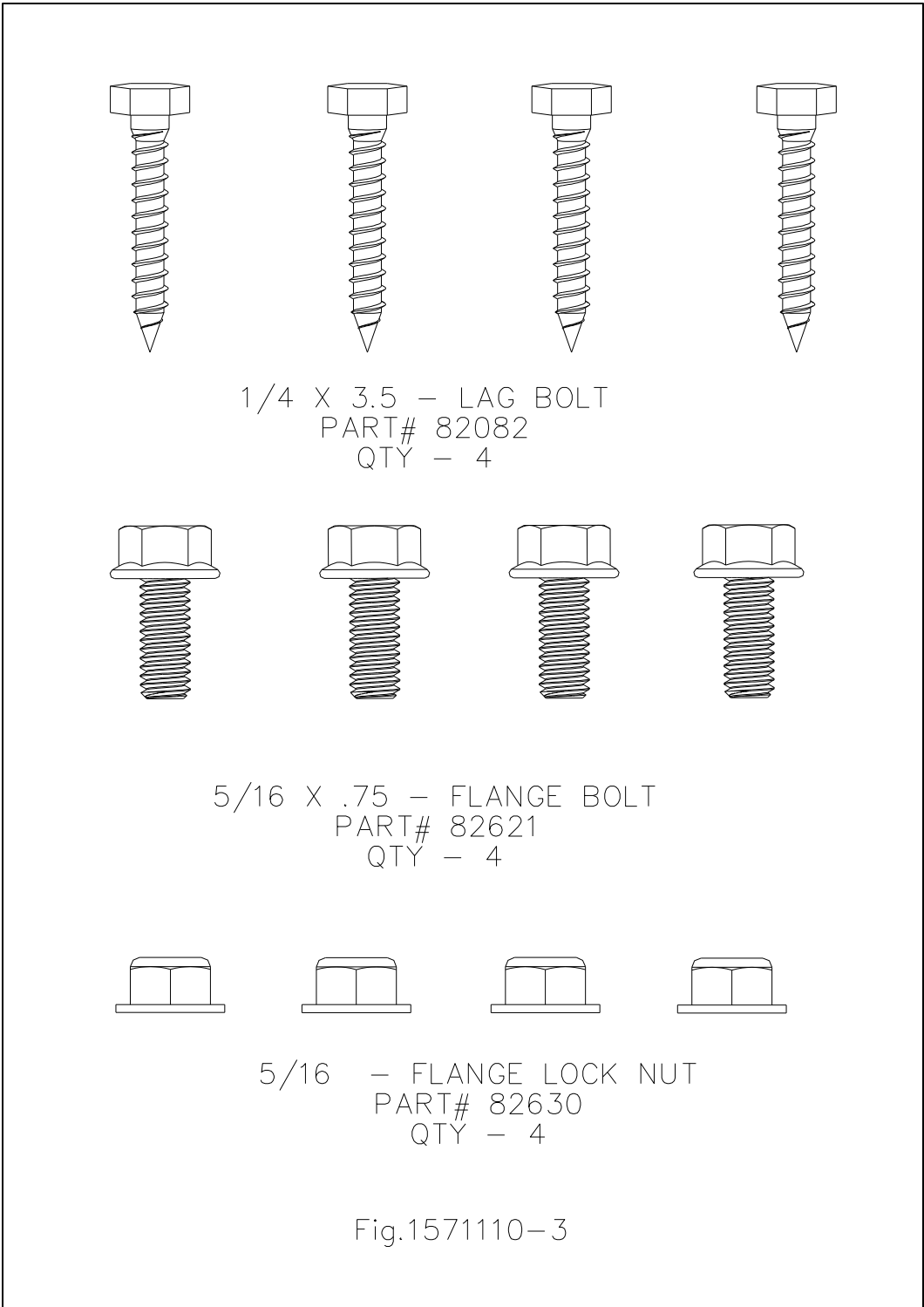
Upon receiving your item check for missing or damaged parts.

- For missing or damaged components, please contact Product Support at 1-800-270-0810.



Initial Set-up

Hardware Bag



Initial Set-up

Step 2. Assembly

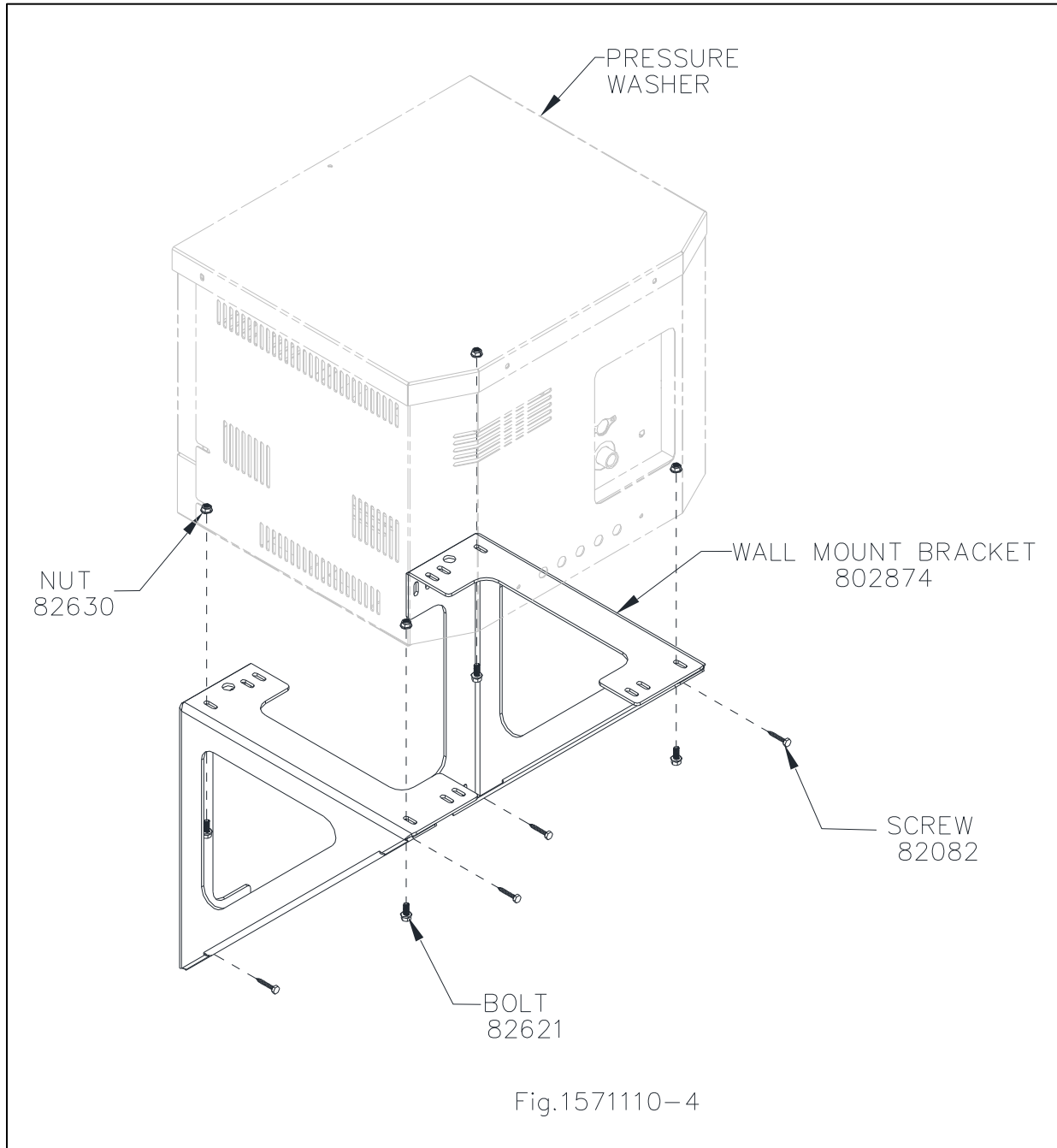
Note: Remove contents from box and begin assembly.

Wall Mount Bracket Assembly

Step 1: Remove the rubber bumper if present on the pressure washer.

Step 2: Install wall mount bracket # 802874 using self-tapping screws# 82082 qty-4.

Step 3: Mount entire assembly on to the wall mount bracket using bolts #82621 and lock nut # 82630 qty-4.



Initial Set-up

Step 3. Select Suitable Location

Moving and Handling

 **WARNING**

Lifting Hazard

The pressure washer is heavy. It can crush and cause serious injury if it rolls out of control or tips over. Follow the instructions below for safely moving the pressure washer.

Elevating or lowering your pressure washer

- To reduce risk of injury, it is recommended that two adults lift the pressure washer or a lifting device is used such as an overhead hoist or forklift.
- Only lift the pressure washer by the base. Do not use the pump or motor as lifting point. See component identification for lifting point locations.

Positioning:

1. The pressure washer should be positioned on a firm, level (less than 3-degree slope), heat-resistant surface with good drainage and a nearby water supply.
- 2.
3. The pressure washer should be placed within garden hose distance of a continuous water supply. Ensure that the pressure washer sits level and will not slide or shift during operation.

Airflow:

1. Situate so there is adequate clearance around pressure washer to allow for airflow – at least 7 feet from any non-combustible wall or obstruction.
2. Do not operate with a tarp, blanket, or cover surrounding the pressure washer.
3. Do not place any objects against or on top of the pressure washer.
4. The pressure washer needs adequate, unobstructed flow of air to allow for adequate cooling. Cooling ventilation is required to prevent overheating of the pressure washer and possible fire.
5. Keep a fire extinguisher rated “ABC” nearby.



Assembled by
Northern Tool & Equipment Company, Inc.
Burnsville, MN 55306
NorthernTool.com