



Porto-Power Blackhawk Automotive is a licensed trademark

# Pulling Post Kit

## Operating Instructions & Parts Manual

Model Number B93601A

Items included:

- B93600A • 10 Ton Pulling Post
- B65428 • Air Pump with Hose
- B65444 • 10 Ton 10" Stroke Ram
- B97662 • Chain & Crow Hooks (2pc.)
- B97691 • Chain & Grab Hook

SFA Companies ©2005  
10939 N. Pomona Ave. Kansas City, MO 64153  
816-891-6390  
[sales@blackhawk-automotive.com](mailto:sales@blackhawk-automotive.com)

- Before using this product, read this manual and follow all its Safety Rules and Operating Instructions  
Made in USA

## TIME LIMITED WARRANTY

For the periods of time indicated below, SFA Companies will repair or replace, at its option, without charge, any of its products which fails due to a defect in material or workmanship under normal usage. This limited warranty is a consumer's exclusive remedy.

Items Covered	Length of Coverage
B93600A (Pulling Post Frame)	Five (5) years from date of first consumer purchase of the product
B65428 (Air Pump), B65444 (Ram), B97662 (Chain) & B97691 (Chain)	One (1) year from date of first consumer purchase of the product

Performance of any obligation under this warranty may be obtained by returning the warranted product, freight prepaid, to SFA Companies Warranty Service Department, 10939 N. Pomona Ave., Kansas City, MO 64153.

Except where such limitations and exclusions are specifically prohibited by applicable law.

(1) THE CONSUMER'S SOLE AND EXCLUSIVE REMEDY SHALL BE THE REPAIR OR REPLACEMENT OF DEFECTIVE PRODUCTS AS DESCRIBED ABOVE.

(2) SFA COMPANIES SHALL NOT BE LIABLE FOR ANY CONSEQUENTIAL OR INCIDENTAL DAMAGE OR LOSS WHATSOEVER.

(3) ANY IMPLIED WARRANTIES, INCLUDING WITHOUT LIMITATION THE IMPLIED WARRANTIES OF MERCHANTABILITY AND FITNESS FOR A PARTICULAR PURPOSE, SHALL BE LIMITED TO THE TIME PERIODS FOR THE EXPRESS WARRANTY DESCRIBED ABOVE, OTHERWISE THE REPAIR, REPLACEMENT OR REFUND AS PROVIDED UNDER THIS EXPRESS LIMITED WARRANTY IS THE EXCLUSIVE REMEDY OF THE CONSUMER, AND IS PROVIDED IN LIEU OF ALL OTHER WARRANTIES, EXPRESS OR IMPLIED.

(4) ANY MODIFICATION, ALTERATION, ABUSE, UNAUTHORIZED SERVICE OR ORNAMENTAL DESIGN VOIDS THIS WARRANTY AND IS NOT COVERED BY THIS WARRANTY.

Some states do not allow limitations on how long an implied warranty lasts, so the above limitation may not apply to you. Some states do not allow the exclusion or limitation of incidental or consequential damages, so the above limitation or exclusion may not apply to you. This warranty gives you specific legal rights, and you may also have other rights which vary from state to state.



SFA Companies ©2005  
10939 N. Pomona Ave. Kansas City, MO 64153  
816-891-6390  
sales@blackhawk-automotive.com

## SAVE THESE INSTRUCTIONS

For your safety, read and understand the information contained within. The owner and operator shall have an understanding of this product and safe operating procedures before attempting to use this product. Instructions and Safety information shall be conveyed in the operators native language before use of this product is authorized. Make certain that the operator thoroughly understands the inherent dangers associated with the use and misuse of the product. If any doubt exists as to the safe and proper use of this product as outlined in this factory authorized manual, remove from service immediately.

**Inspect before each use.** Do not use if broken, bent, cracked or otherwise damaged parts are noted. If any component of this product has been or suspected to have been subjected to a load dropped suddenly, unexpectedly upon it, discontinue use until checked out by a Porto-Power Blackhawk Automotive Authorized Service Center. Owners and operators of this equipment shall be aware that the use and subsequent repair of this equipment may require special training and knowledge. It is recommended that an annual inspection be done by qualified personnel and that any missing or damaged parts, decals, warning / safety labels or signs be replaced with factory authorized replacement parts only. Any component of this product that appears to be damaged in any way, is worn or operates abnormally shall be removed from service immediately until such time as it can be repaired/replaced. Labels and Operator's Manuals are available from manufacturer.

## PRODUCT DESCRIPTION

Porto-Power Pulling Post Kit is designed for rated capacity lifting and pulling jobs. This kit includes a pulling post frame (B93600A), a 10,000 psi air pump with hose (B65428), a 10 ton 10 inch stroke threaded ram (B65444), a 9 feet chain with grab hook (B97691), and two 6 feet chain with two craw hooks (B97662). This pulling post can be used with common pot patterns or new chainless anchor system. Building Block design lets users create their own custom pull system. A wide variety of applications exist for this category of product. Special skill, knowledge and training may be required for a specific task and the product may not be suitable for all the jobs described above. Unsuitable applications would include applications that call for a device to move, level or support persons, animals, hazardous materials, mobile homes/ dwellings in general, mirrors and/or plate glass, and/or to connect/secure hatches, components, etc. between bulkheads. The user must ultimately make the decision regarding suitability of the product for any given task and assume the responsibility of safety for himself and others in the work area.

## SPECIFICATIONS

Model	Capacity	Pulling Post Frame			Air Pump			Ram			
		Height	Base Size ( L x W )	Floating Pulley Position	Usable Oil Capacity	Rated Pressure	Input Air pressure	Stroke	Oil Capacity	Min. Height	Operating Pressure
B93601A	10 ton	59"	31" x 16"	10	36.6 in <sup>3</sup>	10,000 psi	90-175 psi	10"	22.7 in <sup>3</sup>	15 5/8"	8950 psi

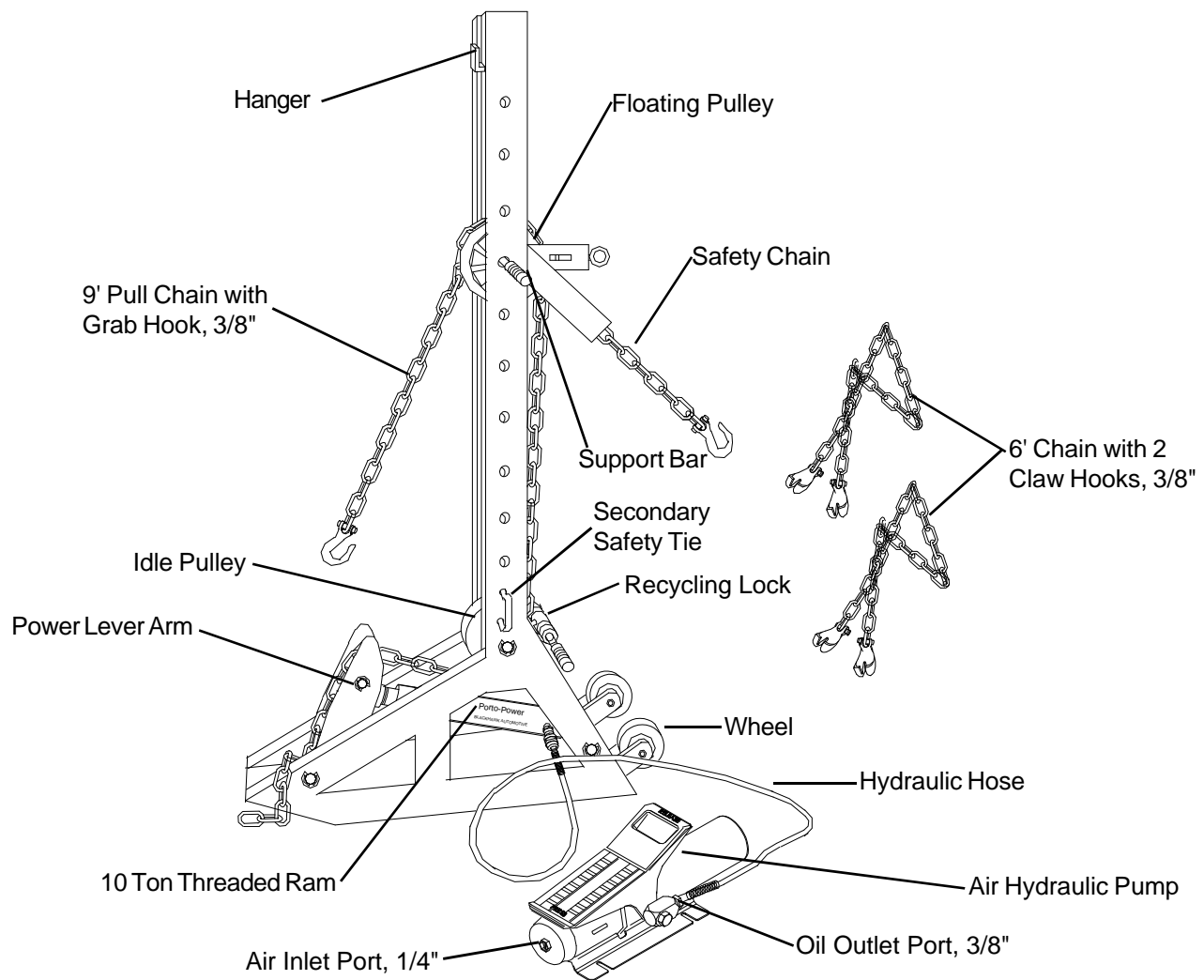


Figure 1 - B93601A Components

## SAFETY INSTRUCTIONS

### BEFORE USE

1. Study, understand, and follow all instructions provided with and on this device before use.
2. Inspect before each use. Do not use if bent, broken, leaking or damaged components are noted.
3. Ensure that product and application are compatible.
4. Ensure that all parts of your kit are included.
5. Connect hose coupler to ram coupler, ensure that there are no fluid leaks.
6. Ram should be stored in vertical position.

**! DANGER !**

- If oil leakage is detected, discontinue use of the ram immediately and contact your nearest Porto-Power Blackhawk Automotive Authorized Service Center. The ram could develop excessive pressure and cause the ram, hose or coupler to burst which could cause serious injury or death.
- When loading a ram, always insure that coupler, port, and adapter threads have not been damaged. Failure to do so could cause serious injury or death.



## **WARNING**

- **All WARNING** statements must be carefully observed to help prevent personal injury.
- Do not exceed rated capacity.
- All device used must be rated for the same maximum operating pressure, correctly connected and compatible with the hydraulic fluid used. An improperly matched system can cause the system to fail and possibly cause serious injury.
- Use only on hard, level surfaces capable of sustaining rated capacity loads.
- For safety, operate equipment at least 6 feet from either side of post and chains.
- Do not stand behind post, chain and clamps when under load.
- Do not use the safety chain under floating pulley as a "pull" chain.
- On severe pulls, use secondary safety ties and/or tarps and blankets around chains.
- Do not pull chain over sharp corners. Use protective pads.
- Listen for popping noises indicating weld fractures and possible sudden separation.
- Avoid sudden jerks when applying tension to chain.
- Wear protective clothing and safety goggles to reduce the risk of injection.
- Do not wear sandals and jewelry when operating this equipment.
- Never use chain assemblies not intended for collision repair equipment.
- The chain/hooks must be 3/8" trade size, heat treated, alloy type rated for "collision repair" applications.
- Do not cut chain with cutting torches. Heat will degrade chain.
- Remove damaged, kinked, twisted, stretched or rusty chain from service so it cannot be accidentally reused.
- Monitor pressure and load at all times.
- Always verify load with calibrated load cell and indicator, known good pressure gauge or equivalent devices.
- As the load is lifted, use blocking and cribbing to guard against a falling load.
- Never allow personnel to work on, under or around a load before it is properly supported by appropriate mechanical means. Never rely on hydraulic pressure alone to support load.
- All personnel must be clear before lowering.
- Never try to disassemble a ram or pump. Refer repairs to qualified, authorized personnel.
- Do not modify this device.
- When the ram is not in use, keep ram fully retracted.
- Failure to heed these markings may result in personal injury and/or property damage.

## **WARNING**

### **Hydraulic Hoses and Fluid Transmission Lines**

- Never operate pump with release valve closed and disconnected from application. If operated in this condition, the hose and connections become pressurized. This increases burst hazard. Damage may occur to pump and its components
- Avoid short runs of straight line tubing. Straight line runs do not provide for expansion and contraction due to pressure and/or temperature changes.
- Reduce stress in tube lines. Long tubing runs should be supported by brackets or clips. Before operating the pump, all hose connections must be tightened with the proper tools. Do not overtighten. Connections should only be tightened securely and leak-free. Overtightening can cause premature thread failure or high pressure fittings to burst.
- Should a hydraulic hose ever rupture, burst or need to be disconnected, immediately shut off the pump and release all pressure. Never attempt to grasp a leaking pressurized hose with your hands. The force of escaping hydraulic fluid can inflict injury.
- Do not subject the hose to potential hazard such as fire, sharp objects, extreme heat or cold, or heavy impact.
- Do not allow the hose to kink, twist, curl, crush, cut or bend so tightly that the fluid flow within the hose is blocked or reduced. Periodically inspect the hose for wear, because any of these conditions can damage the hose and possibly result in personal injury.
- Do not pull, position or move setup by the hose. Doing so can damage the hose and possibly cause personal injury.
- Hose material and coupler seals must be compatible with hydraulic fluid used. Hoses also must not come in contact with corrosive materials such as battery acid, creosote-impregnated objects and wet paint. Hose deterioration due to corrosive material can result in personal injury. Never paint a coupler or hose.
- Use only approved accessories and approved hydraulic fluid.
- To help prevent material fatigue if the ram is to be used in a continuous application, the load should not exceed 85% of the rated capacity.
- Use an approved, high-grade pipe thread sealant to seal all hydraulic connections. Teflon tape can be used if only one layer of tape is used and it is applied carefully (two threads back) to prevent the tape from being introduced into hydraulic system. A piece of tape could travel through the system and obstruct the flow of fluid and adversely affect function.

## SET UP (refer to figure 1 on page 4)

**Safety Message!** It is recommended that you install a pressure gauge on your pump to indicate a relative level of pulling force.

1. Secure the threaded ram to bottom of puller post, then connect ram to air pump with hydraulic hose provided.
2. Slide the 9 feet pull chain thru the floating pulley, idle pulley and power lever arm.
3. Secure the safety chain on floating pulley to an anchor pot or between two anchor pots using 6 feet claw hooks chain

Note: The dual chain helps to divide the pull force exerted by the post and also allows positioning the post between two anchor ports.

## OPERATION

**Note:** The pull post is operated by a 10Ton 10 inch stroke hydraulic ram attains 20,000 pounds of pull on the chain at 8950 psi pressure.

**Safety Message!** operate equipment from at least 6 feet from either side of post and chains.

1. Adjust the floating pulley to desire height to pull using the handle bar. For low pull, can pull without floating pulley, just slide thru the idle pulley.
2. Connect air nipple (not included) to air input port before connecting air hose.
3. Connect to suitable air supply, ensure air input pressure range from 95 to 175 psi.
4. Secure the pull chain before pulling object.
5. To operate, press the foot pedal of air pump until desire height or position is reached. Always monitor pressure and load. Do not exceed 8950 psi and use caution when nearing this maximum operating ram pressure.

**Caution!** Never operate pump with release valve closed and disconnected from ram. If operated in this condition, the hose and connections become pressurized. This increases burst hazard. Damage may occur to pump and its components

6. To release, simply press the release valve by stepping on the raised, stirrup shaped portion of the foot pedal.
7. Figure 2 below shows illustrations of common applications.

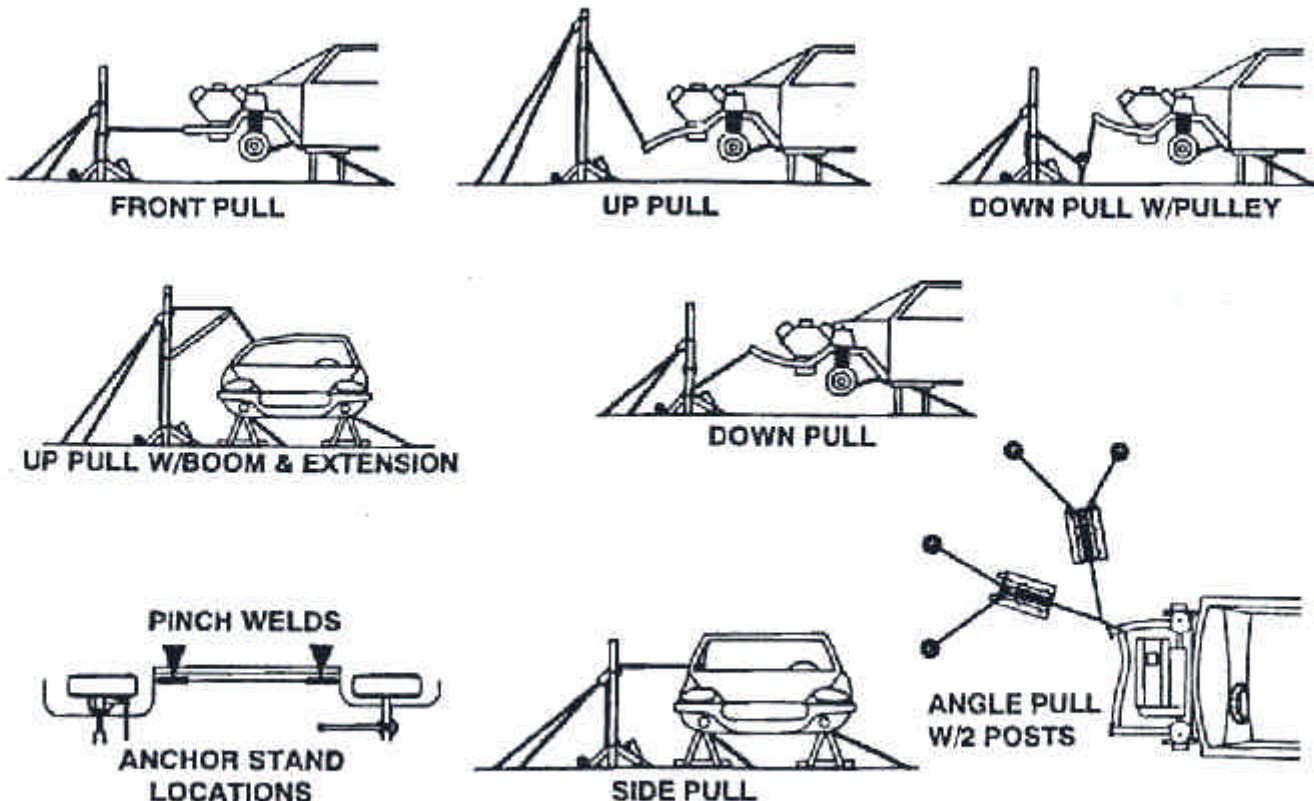


Figure 2 - Illustrations of different methods for pulling application

## MAINTENANCE

1. Inspect and replace damaged, kinked, twisted, stretched or rusty chain.
2. Inspect hoses and connections. Replace damaged components immediately with Porto-Power Blackhawk replacement parts only.
3. Tighten connections as needed. Use non-hardening pipe thread compound when servicing connections.
4. Use only good quality hydraulic fluid. We recommend Hein-Werner HW93291 or equivalent.

### Lubrication

Use a light machine oil to lubricate pivot points, hinges and all joints of post that move under heavy load.

### Adding Hydraulic Fluid

1. Depressurize and disconnect hydraulic hose from application.
  2. With pump in its vertical position, remove the reservoir cap located on the reservoir.
  3. Use a small funnel to fill reservoir to within 3/4" (19mm) of the opening.
- Note:** Use only a good quality hydraulic jack fluid. **Never** use brake fluid, transmission fluid, turbine oil, motor oil, alcohol, glycerin etc. Use of other than good quality hydraulic oil will void warranty and damage the pump, hose, and application.
4. Wipe up any spilled fluid. Reinstall the reservoir cap.

### Changing Hydraulic Fluid

For best performance and longest life, replace the complete fluid supply at least once per year.

1. Depressurize and disconnect hydraulic hose from application.
2. Repeat #2 above, then pour used fluid into a sealable container.
4. Use a small funnel to fill reservoir to within 3/4" (19mm) of the opening.
5. Dispose of fluid in accordance with local regulations.
6. Fill with a good quality hydraulic oil as recommended above. Reinstall reservoir cap.

### Storage

1. Depressurize and disconnect hydraulic hoses from ram.
2. Wipe clean and store in dry environment. Avoid extreme temperatures.

## TROUBLESHOOTING

Symptom	Possible Causes	Corrective Action
Ram will not extend	<ul style="list-style-type: none"> <li>• Overload condition</li> </ul>	<ul style="list-style-type: none"> <li>• Remedy overload condition</li> </ul>
System does not maintain pressure	<ul style="list-style-type: none"> <li>• Hydraulic unit malfunction</li> </ul>	<ul style="list-style-type: none"> <li>• Replace ram and / or pump</li> </ul>
Ram does not return fluid to pump (i.e. ram will not retract)	<ul style="list-style-type: none"> <li>• Reservoir overfilled</li> <li>• Ram damaged</li> <li>• Malfunctioning coupler, damaged application</li> </ul>	<ul style="list-style-type: none"> <li>• Drain fluid to proper level</li> <li>• Replace ram</li> <li>• Secure load by other means. Depressurize pump and hose, remove coupler and/or application, then replace with a new one.</li> </ul>
Poor performance	<ul style="list-style-type: none"> <li>• Fluid level low</li> <li>• Air trapped in system</li> </ul>	<ul style="list-style-type: none"> <li>• Ensure proper fluid level</li> <li>• With ram fully retracted, remove oil filler screw to let pressurized air escape, then reinstall oil filler screw</li> </ul>
Will not lift to full extension	<ul style="list-style-type: none"> <li>• Fluid level low</li> </ul>	<ul style="list-style-type: none"> <li>• Ensure proper fluid level</li> </ul>

# REPLACEMENT PARTS

Please refer to the Parts drawing when ordering parts. Not all components are replacement items, but are illustrated as a convenient reference of location and position in the assembly sequence. When ordering parts, give model no., serial no. and description below. Call or write for current pricing: SFA Companies 10939 N. Pomona Ave. Kansas City, MO 64153, U.S.A. Tel:(816)891-6390 Fax:(816)891-6599 E-Mail: sales@blackhawk-automotive.com

Item#	Part#	Description	Qty
1	600-001-100	Recycling Lock	1
2	600-001-201	Heel Block	1
3	600-001-203	Floating Pulley with Chain Retarder	1
4	600-001-205	Chain Retarder	1
5	600-001-206	Idle Pulley	1
6	600-001-213	Bar with Clips, D3/4"x3-3/8"	1
7	600-001-208	Bar with Clips, D3/4"x7"	3
8	600-001-209	Bar with Handle Grip, D3/4"x11"	2
9	600-001-210	Wheel Assembly	2
10	600-001-214	Power Lever Arm (for 10" ram)	1
11	600-001-212A	Ram Coupling	1
12	B93652A	Power Lever Arm Assembly	-
13	B93600A	Puller Post Frame	1
14	B65444	Ram, 10 Ton 10" Stroke	1
15	B65582	Ram Coupler, 3/8"	1
16	B65581	Hose Coupler, 3/8"	1
17	B65426	Air Pump	1
18	B65594	Hydraulic Hose, 6' x ID3/8"	1
19	B97691	Chain with Grab Hook, 9' x ID3/8"	1
20	B97662	Chain with 2 Claw Hooks, 6' x ID3/8"	2

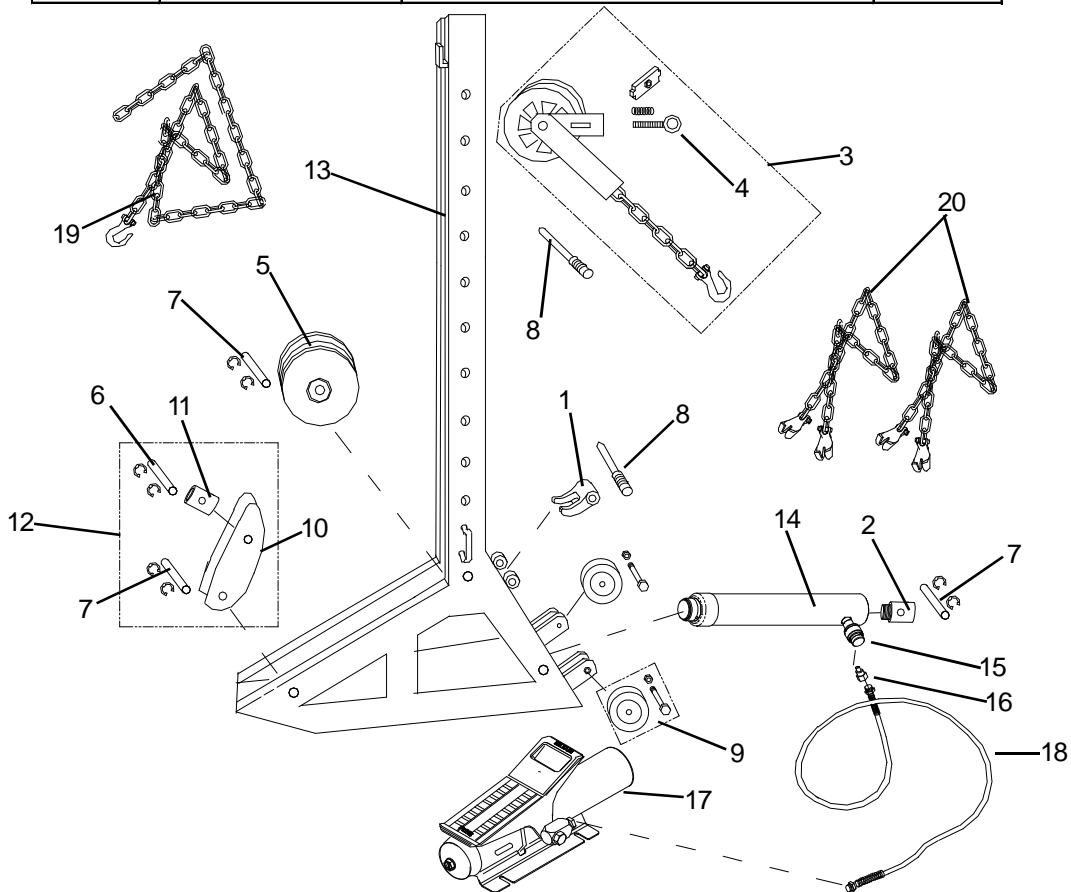


Figure 3 - Replacement Parts Illustration for B93601A