



A Regal Brand

Catalog # : 108047.00

Product Type: DC

Description: ..1/2HP..1800RPM.S56C.TENV.12V...CONT.40C.1.0SF.RIGID C.C4D17NK7G.....DC NEMA LOW VOLTAGE.....

Model: C4D17NK7

Stock: Stock

Quote: Price:

Date: 08/24/2016



A Regal Brand

Catalog # : 108047.00

Model: C4D17NK7

Product Type: DC

Stock: Stock

Description: ..1/2HP..1800RPM.S56C.TENV.12V...CONT.40C.1.0SF.RIGID C.C4D17NK7G.....DC NEMA LOW VOLTAGE.....

Engineering Data

RPM	1800	HP	1/2	Serv. Factor	1.0
KW		Form Factor	1.00	Amps	39
KW2		Form Factor 2		FLA2	
Volts	12	Frame	56C		

Max Amb	40	Duty	CONT	TYPE	DN
Insul Class	H	Enclosure	TENV	Bearing OPE	6203
Protection	NOT	Protector		Bearing PE	6203
EFF	NOT	Torque			
UL	Yes	CSA	Yes	CE	No
Motor Wt.	30 LB	Nameplate	081259	Lubrication	POLYREX EM
Carton Label	Leeson Gen Purpose				

Assembly		Mounting	C-Face Rigid	Rotation	RECONN
Winding	D56286	Ext. Diag		Ext. Diag2	
GROUP	1 A	Shaft Dia.	5/8 IN	Packaging	PG659301.04A
Sub Group	A	Paint	305000.01		
Test Card	1 A	Outline	031880	Cust Part No	

formlable		2RMS Amps		2
formlable		RMS Amps		
AB Code		Peak		formlable
Resistance		Peak@DegC		formlable
Connection		Const Torque	Speed	formlable
		Range		

4Explosion Proof				2Brake Motors
Temp Op Code				FORCE
Class		GROUP		VDC
Class		GROUP		ADC

Brake Coil OHMs @25 C

Performance

Torque UOM

224 LB-IN

Inertia (WK<sup>2</sup>)

8 LB-IN<sup>2</sup>

Torque

0

17.5

35

CURRENT (amps)

4.4

35.2

66.1

Efficiency (%)

0

.836

.867

PowerFactor

Load Curve Data

Output Pwr (HP)

RPM:

Amps

Torque (LB-IN)

Eff

Watts

Watts Loss

Volts

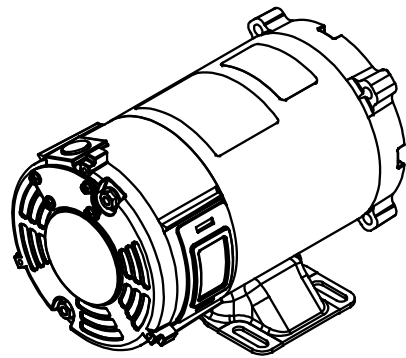
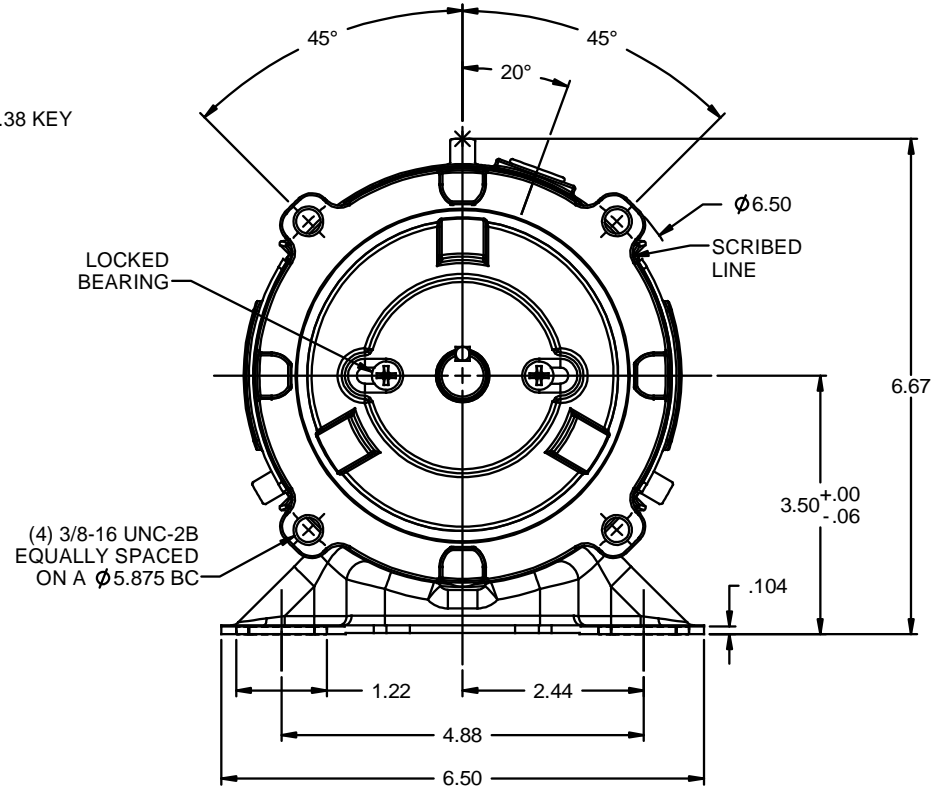
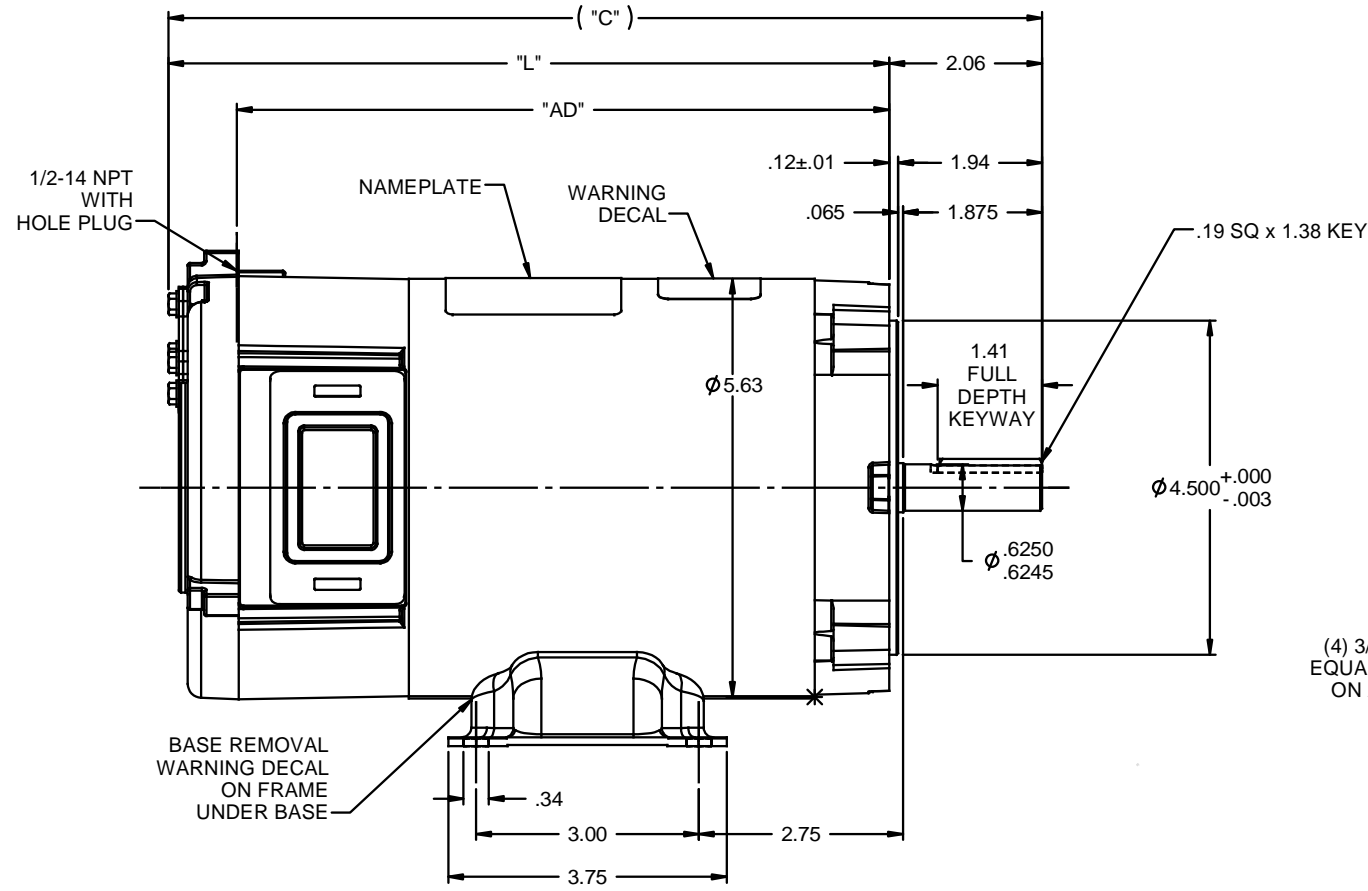
Load Curve Data Not Available

Quote:

Price:

Date: 08/24/2016

RBC PROPRIETARY AND CONFIDENTIAL INFORMATION  
 This document is the property of REGAL BELOIT CORPORATION ("RBC") including its subsidiaries and divisions and contains proprietary information of RBC. This document is loaned on the express condition that neither it nor the information contained therein shall be disclosed to others without the express written consent of RBC, and that the information shall be used by the recipient only as approved expressly by RBC. This document shall be returned to RBC upon its request. This document may be subject to certain restrictions under U.S. export control laws and regulations.



- NOTES:  
 1) MAXIMUM FACE RUNOUT .004 T.I.R.  
 2) MAXIMUM PILOT ECCENTRICITY .004 T.I.R.  
 3) PERMISSIBLE SHAFT RUNOUT .002 T.I.R.  
 4) GASKETS THROUGHOUT

108051.00	11.77	9.71	8.78	24	1/2	1800
108050.00	10.77	8.71	7.78	24	1/3	1800
108047.00	11.77	9.71	8.78	12	1/2	1800
108046.00	10.77	8.71	7.78	12	1/3	1800
108045.00	10.27	8.21	7.28	12	1/4	1800
<b>CATALOG No.</b>	<b>"C"</b>	<b>"L"</b>	<b>"AD"</b>	<b>VOLTS</b>	<b>H.P.</b>	<b>RPM</b>

		TOLERANCES UNLESS SPECIFIED		LEESON ELECTRIC MOTORS GEARMOTORS AND DRIVES		DRAWN IPG 3/26/08	
		DEC	INCHES			CHK BC 3/26/08	
		X	±.1	TITLE OUTLINE		APPR	
02	ADDED 108045.00 TO TABLE	IPG	5/13/2010	BC	XX	±.03	SCALE 1:2
01	ADDED 20 DEGREES FOR NPT HOLE LOCATION	IPG	12/11/2008	SK	XXX	±.005	REF 031879.00
	RELEASED: REF. 031879 & 031185	IPG	3/26/2008	BC	XXX	±.0005	FMF 108050.75
NO	REVISION	BY & DATE	CHK	ANG	±1/2°	FINISH	PAGE OF
THIRD ANGLE PROJECTION				RFP	PREV	SIZE	DRAWING NO
				NETWORK FILE NAME	031880	<b>B</b>	<b>031880</b>
						PAGE	REV
						OF	02