

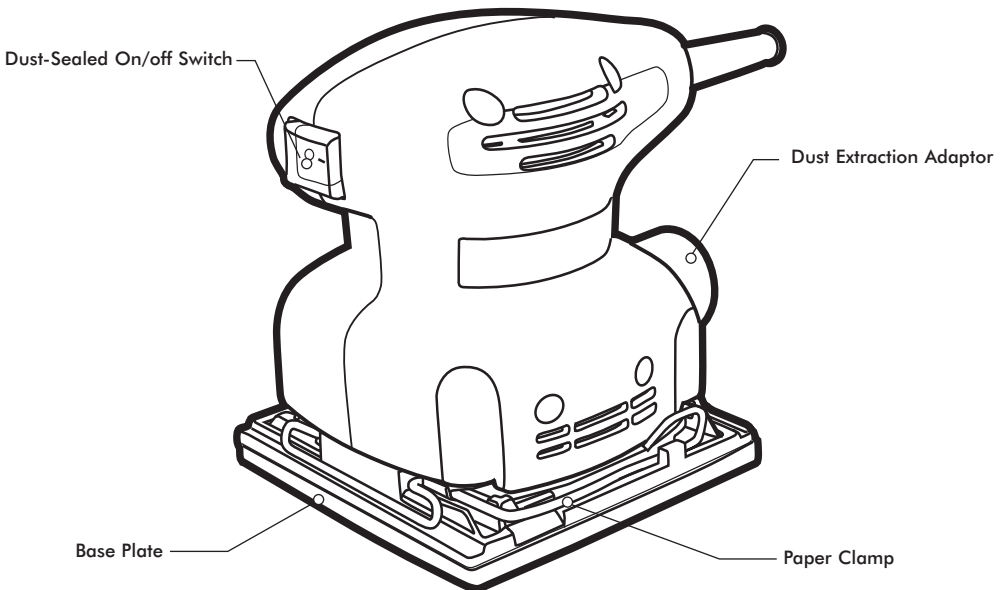


1/4in. SHEET PALM SANDER

OPERATING INSTRUCTIONS

SPECIFICATIONS - ITEM# 151608

Voltage:	120V ~ 60Hz
Max. output:	180W
No load speed:	14000 RPM
Cord:	6 feet (2m)



OPERATING INSTRUCTIONS

Please read the operating instructions carefully prior to use. Keep the instructions in a safe place for future reference.

ALWAYS WEAR EYE, FACE & EAR PROTECTION



INTRODUCTION

Your Wel-Bilt™ Palm Sander has been designed for stripping paint, smoothing rough wood surfaces and fine-finishing woodcraft projects. The Wel-Bilt™ Palm Sander is intended for DIY use only.

SAFETY INSTRUCTIONS

⚠ Warning! When using power tools, basic safety precautions including the following should always be followed to reduce the risk of fire, electric shock, personal injury and material damage.

Read the whole manual carefully and make sure you know how to switch the tool off in an emergency before operating.

ELECTRICAL SAFETY

The electric motor has been designed for one voltage only. Always check that the power supply corresponds to the voltage on the rating plate.



This tool is double insulated; therefore, no ground wire is required. If the supply cord is damaged, it must be replaced by the manufacturer or an authorized service center immediately in order to avoid a hazard.

Using an Extension Cord

Always use an approved extension cord suitable for this tool. Before use, inspect the extension cord for signs of damage, wear and ageing. Replace the extension cord if damaged or defective.

When using an extension cord on a reel, always unwind the cord completely. Use of an extension cord not suitable for the tool, or is damaged or defective, may result in a risk of fire or electric shock.

GENERAL SAFETY RULES

1. Verify that the power supply in your area is compatible with the voltage listed on the tool's label.
2. Check the tool, cord and plug for damage before each use.
3. Make sure the tool is turned off before plugging it in.
4. Always start the tool before setting it against the piece you are working on.
5. Watch for, and avoid, potential electrocution hazards. Avoid bodily contact with grounded objects such as metal pipes, radiators, cooking ranges, refrigerators and so forth when using the tool. Never work on any item that is connected to a live electrical circuit. Always disconnect electrical items before working on them.
6. Extreme temperature variations may cause condensation, which can increase the hazard of electrocution and/or internal corrosion. Allow the tool to adjust to the temperature of the work area for several minutes before each use.
7. Secure all items you are working on. Use clamps, vices or other securing devices as needed.
8. Never wear jewelry or loose clothing that can become entangled in moving parts. Tie or otherwise secure long hair away from the tool and work area.
9. Use safety apparel and equipment. Use ANSI-approved safety goggles or safety glasses with side shields that comply with current national standards, or when needed a face shield. Use an NIOSH-approved respirator or dust mask when necessary. This applies to all persons in the work area. Wear non-skid safety shoes, a hard hat, gloves and earplugs when appropriate.

GENERAL SAFETY RULES (cont.)

10. Never leave sander running unattended.
11. Do not use this tool or accessories for any purpose other than that for which they have been specifically designed.
12. Where there is a risk of heavy objects damaging feet or if there is a risk of slipping on wet or slippery floors, suitable non-slip safety footwear should be worn.
13. Where there is a risk of falling objects or hitting your head on protruding or low-level obstructions, a hard hat should be worn.
14. Be sure you always have a sure footing, especially when working on ladders and scaffolding.
15. Keep electric tools away from humidity and rain. Do not immerse the tool in water. Use for dry sanding only.
16. When working outdoors, only use extension cables designed and approved for outdoor use.
17. Do not use the equipment in any areas where there is a risk of fire or explosion.
18. If the tool is in need of repair, be sure to have all work performed by a qualified technician.
19. Keep all electric tools away from children.
20. Store electric tools in the original box in a clean dry location out of the reach of children.
21. Always unplug the power cord when the tool is not in use or when you are taking breaks or changing accessories.
22. Never carry the tool by the cord. Never unplug the tool by pulling on the cord.
23. When working, do not allow the motor to stall under the load.
24. Keep your work place tidy. Untidiness can cause accidents!
25. Avoid abnormal body postures while working.
26. Avoid accidental starting. Make sure that the switch on the tool is off and the cord is unplugged when not in use.
27. Do not leave keys, spanners or adjusting tools in the tool.
28. Inspect workpiece for nails, staples, knots and other objects that can be dislodged and thrown from sander during operation.

⚠ WARNING! FAILURE TO FOLLOW THESE INSTRUCTIONS CAN RESULT IN SEVERE INJURY OR DEATH.

⚠ CAUTION: FAILURE TO FOLLOW THESE INSTRUCTIONS CAN ALSO RESULT IN DAMAGE TO THE TOOL AND/OR THE ITEM YOU ARE WORKING ON.

⚠ WARNING! CONSUMING ALCOHOL, MEDICATION, OR DRUGS, OR HEALTH PROBLEMS SUCH AS ILLNESS, FEVER, OR FATIGUE, AFFECT YOUR ABILITY TO PLAN AND REACT. NEVER USE ANY ELECTRICAL EQUIPMENT WHILE UNDER THE INFLUENCE OF ALCOHOL, DRUGS, HEALTH PROBLEMS, OR FATIGUE.

⚠ WARNING: Do not place hands near, or come in contact with, sanding base during operation.

TOOL OPERATION

Installation of Sandpaper

Release the spring clamp by lifting up on the looped ends found on either side of the base. Push the looped ends down past the base, raising the clamp portion from the base. Insert the edge of the sandpaper under the clamp portion and return the loop end to the locked position on the top of the base. Repeat other end of the sandpaper.

Operation of Sander

While holding the sander clear of the workpiece push the On/Off switch to "On". Slowly place the base of the sander onto the workpiece and begin sanding. When finished sanding, lift the sander from the workpiece and then turn off the switch.

MAINTENANCE

- Always unplug and turn off sander before performing any maintenance.
- Keep the ventilation slots of the tool clean at all times. If possible, prevent foreign matter from entering the vents.
- After each use, blow air through the tool housing to ensure it is free from all dust particles that may build up. Build up of dust particles may cause the tool to overheat and fail.
- If the enclosure of the tool requires cleaning, do not use solvents. Use a soft, moist cloth only. Never let any liquid get inside the tool. Never immerse any part of the tool into a liquid.
- When the carbon brushes wear out the tool will spark and/or stop. The brushes are a wearing component of the tool and should be replaced prior to the carbon wearing out.

WARRANTY

THIS WARRANTY FORM SHOULD BE RETAINED BY THE CUSTOMER AT ALL TIMES.

The warranty is only made available by returning the tool to your nearest Northern Tool + Equipment store.

PURCHASED FROM: _____

DATE OF PURCHASE: _____

6-MONTH WARRANTY

Your Wel-Bilt tool is covered for a period of 6 months from the **ORIGINAL date of purchase** under the following conditions: **Professional, industrial or high-frequency use will VOID this warranty.**

The Warranty covers faulty parts or workmanship.

The following actions will result in the warranty being void:

- If the tool has been operated on a supply voltage other than that specified on the unit.
- If the tool shows signs of damage or defects caused by or resulting from abuse, accidents or alterations.
- If the tool has been disassembled or tampered with in any way.

Note: Warranty excludes consumable parts such as brushes, batteries, sanding pads, blades, discs, drill bits, collets and router bits.

⚠ WARNING!

Some dust created by power sanding, sawing, grinding, and other construction activities contains chemicals known to cause cancer, birth defects, or other reproductive harm. Some examples of these chemicals are:

- Lead, from lead-based paints
- Crystalline silica, from bricks, cement, and other masonry products
- Arsenic and chromium, from chemically treated lumber

Your risk from these exposures varies, depending on how often you do this type of work. To reduce your exposure to these chemicals: work in a well-ventilated area, and use approved personal protective equipment, such as those dust masks that are specially designed to filter out microscopic particles.