




# **150-LB. TRUCK WHEEL DOLLY**

## **OWNER'S MANUAL**



 **WARNING:** Read carefully and understand all **INSTRUCTIONS** before operating. Failure to follow the safety rules and other basic safety precautions may result in serious personal injury.

**Item #148823**

Thank you very much for choosing a NORTHERN TOOL + EQUIPMENT CO., INC. Product! For future reference, please complete the owner's record below:

Model: \_\_\_\_\_ Purchase Date: \_\_\_\_\_

Save the receipt, warranty and these instructions. It is important that you read the entire manual to become familiar with this product before you begin using it.

This machine is designed for certain applications only. Northern Tool + Equipment cannot be responsible for issues arising from modification. We strongly recommend this machine is not modified and/or used for any application other than that for which it was designed. If you have any questions relative to a particular application, DO NOT use the machine until you have first contacted Northern Tool + Equipment to determine if it can or should be performed on the product.

For technical questions please call **1-800-222-5381**.

## **DESCRIPTION AND INTENDED USE**

This heavy-duty dolly lifts up to 150 lbs. and saves backs when removing and replacing heavy truck wheels and tires. 3-inch casters allow accurate positioning under the tire. The Dolly supports the weight as the wheel slides off the hub. Replacing the wheel is just as simple. Rollers on each leg allow the wheel to be rotated for stud alignment as the wheel slides on to the hub.

## **TECHNICAL SPECIFICATIONS**

Capacity: 150 lbs. (68kg)

Caster Size: 3in. (80mm)

## **Save These Instructions.**



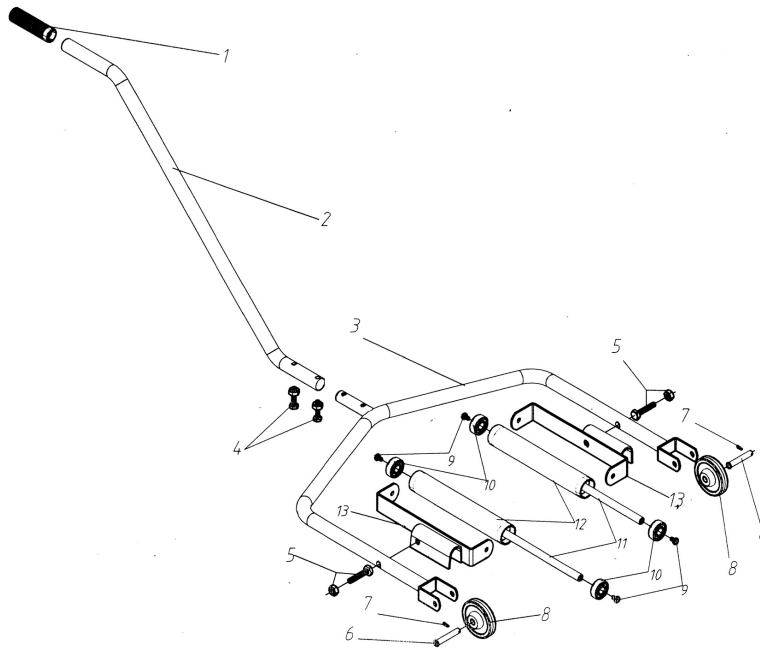
**CAUTION:** Do not attempt to operate the Truck Wheel Dolly until you have read and understood this instruction manual.

- Do not exceed the weight limit of 150 lbs. (68kg) when loading the Wheel Dolly.
- Use Wheel Dolly on a flat, smooth surface only. Not intended to be used on inclines.
- Do not stand or ride on Wheel Dolly. It is not a toy.



**WARNING:** The warnings, cautions and instructions in this manual cannot cover all possible conditions or situations that could occur. It must be understood by the operator that common sense and caution are factors that cannot be built into this product, but must be supplied by the operator.

## DIAGRAM & PARTS LIST



Part #	Description	Qty	Part #	Description	Qty
1	Handle Cover	1	8	Wheel	2
2	Handle	1	9	Bolt	4
3	Frame	1	10	Axletree	4
4	Screw/Nut	2	11	Axis	2
5	Screw/Nut	2	12	Roller	2
6	Pin	2	13	Roller Frame	2
7	Cotter Pin	2			

**NOTE:** Some of the parts are listed and shown for illustration purposes only, and are not available individually as replacement parts.

### WARRANTY

**One-Year Limited Warranty**



Northern Tool + Equipment Co., Inc.  
Burnsville, Minnesota 55306-6936  
Made in China