



“Pin Style” Vehicle Stands

Operating Instructions & Parts Manual

Model	Capacity per pair
BH5010	10 Ton
BH5220	22 Ton

SFA Companies
10939 N. Pomona Ave. Kansas City, MO 64153
sales@blackhawk-automotive.com

- Before using this product, read this manual and follow all its Safety Rules and Operating Instructions

Made in PRC
BH5010-M0 rev 01/07

ONE YEAR LIMITED WARRANTY

For a period of one (1) year from date of purchase, SFA Companies will repair or replace, at its option, without charge, any of its products which fails due to a defect in material or workmanship under normal usage. This limited warranty is a consumer's exclusive remedy.

Performance of any obligation under this warranty may be obtained by returning the warranted product, freight prepaid, to SFA Companies Warranty Service Department, 10939 N. Pomona Ave., Kansas City, MO 64153.

Except where such limitations and exclusions are specifically prohibited by applicable law.

- (1) THE CONSUMER'S SOLE AND EXCLUSIVE REMEDY SHALL BE THE REPAIR OR REPLACEMENT OF DEFECTIVE PRODUCTS AS DESCRIBED ABOVE.
- (2) SFA COMPANIES SHALL NOT BE LIABLE FOR ANY CONSEQUENTIAL OR INCIDENTAL DAMAGE OR LOSS WHATSOEVER.
- (3) ANY IMPLIED WARRANTIES, INCLUDING WITHOUT LIMITATION THE IMPLIED WARRANTIES OF MERCHANTABILITY AND FITNESS FOR A PARTICULAR PURPOSE, SHALL BE LIMITED TO ONE YEAR, OTHERWISE THE REPAIR, REPLACEMENT OR REFUND AS PROVIDED UNDER THIS EXPRESS LIMITED WARRANTY IS THE EXCLUSIVE REMEDY OF THE CONSUMER, AND IS PROVIDED IN LIEU OF ALL OTHER WARRANTIES, EXPRESS OR IMPLIED.
- (4) ANY MODIFICATION, ALTERATION, ABUSE, UNAUTHORIZED SERVICE OR ORNAMENTAL DESIGN VOIDS THIS WARRANTY AND IS NOT COVERED BY THIS WARRANTY.

Some states do not allow limitations on how long an implied warranty lasts, so the above limitation may not apply to you. Some states do not allow the exclusion or limitation of incidental or consequential damages, so the above limitation or exclusion may not apply to you. This warranty gives you specific legal rights, and you may also have other rights which vary from state to state.



SAVE THESE INSTRUCTIONS

For your safety, *read, understand, and follow* the information provided with and on these vehicle stands. The owner and operator of this equipment shall have an understanding of these vehicle stands and safe operating procedures before attempting to use. The owner and operator shall be aware that use and repair of this product may require special skills and knowledge. Instructions and safety information shall be conveyed in the operator's native language before use of these vehicle stands is authorized. If any doubt exists as to the safe and proper use of this vehicle stand, remove from service immediately.

Inspect before each use. Do not use if there are broken, bent, cracked or damaged parts (including labels). Any vehicle stand that appears damaged in any way, or operates abnormally shall be removed from service immediately. If the vehicle stand has been or is suspected to have been subjected to a shock load (a load dropped suddenly, unexpectedly upon it), immediately discontinue use until vehicle stand has been inspected by a Blackhawk Automotive authorized service center. It is recommended that an annual inspection be done by qualified personnel. Labels and Operator's Manuals are available from manufacturer.

PRODUCT DESCRIPTION

Blackhawk Automotive Vehicle Stands are designed to safely support one end of level, rated capacity loads, typically vehicle, for extended periods. Heavy Duty gauge steel base section and welded construction helps prevent distortion and twisting. Compliance with the latest **ASME / ANSI - PALD** standards ensure safety, strength and stability.

RATED CAPACITY IS PER PAIR ONLY! USE ONLY ONE PAIR PER VEHICLE.

DO NOT USE FOR ANY PURPOSE OTHER THAN THOSE USES OUTLINED ABOVE !

SPECIFICATIONS

Model	Capacity	Base Size	Min. Height	Max. Height	Net Weight
BH5010	10 Ton	16" x 16"	28"	47"	110 lb.
BH5220	22 Ton	9 3/4" x 9 3/4"	12 1/4"	19 7/8"	64 lb.

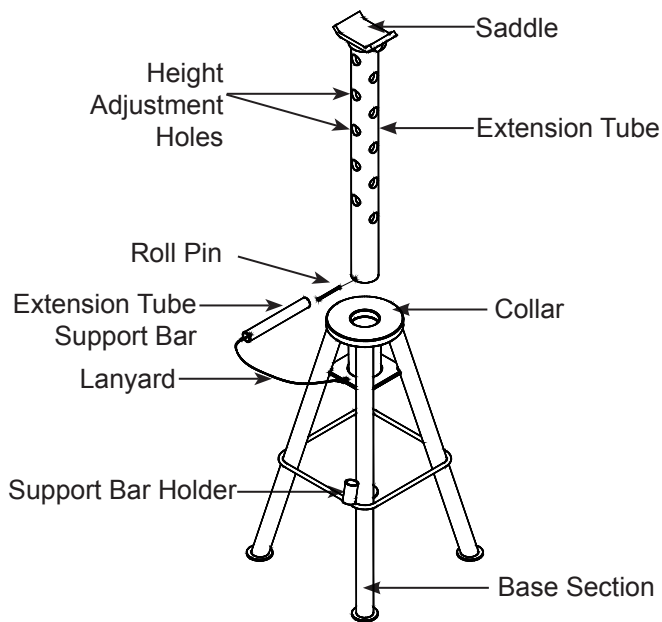
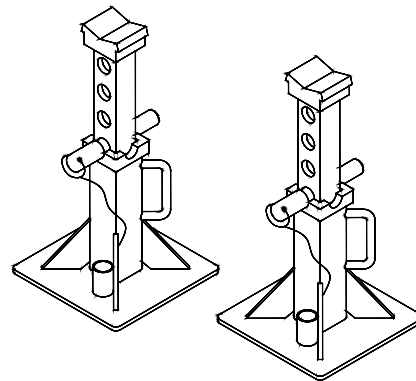
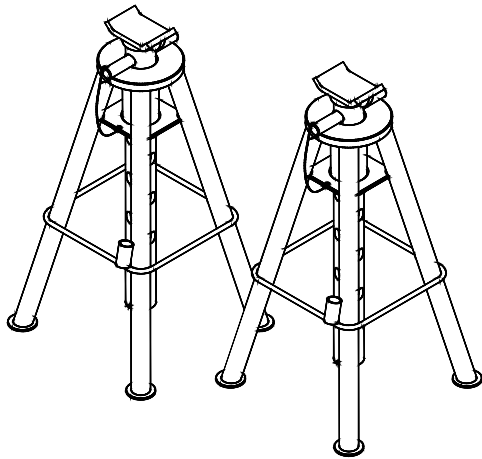


Figure 1 - Model BH5010 Components

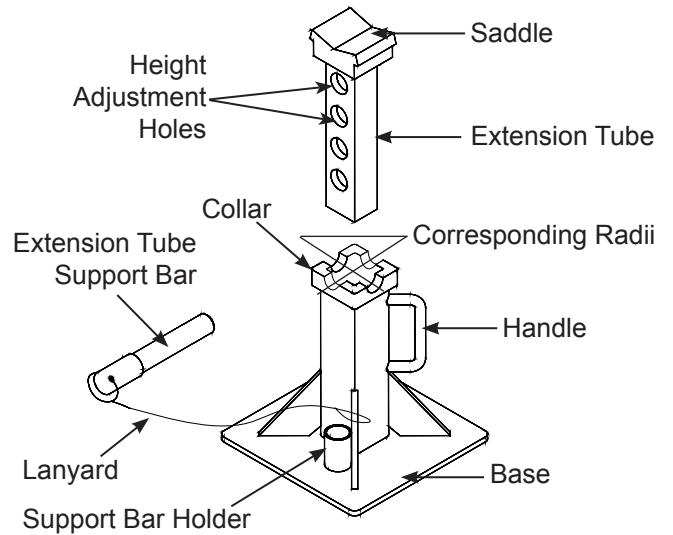


Figure 2 - Model BH5220 Components



WARNING

- Study, understand and follow all instructions provided with and on this device before use.
- **Rated capacity is per pair!** Do not exceed rated capacity.
- Use only on hard, level surface.
- Center load on saddle.
- Use as a matched pair to support one end of a vehicle only. One pair per vehicle only.
- Vehicle stands are not to be used to simultaneously support both ends or one side of a vehicle.
- No alterations shall be made to this product.
- Failure to heed these markings may result in personal injury and/or property damage.

BEFORE USE

1. Inspect stands before each use. Do not use if bent, broken or cracked components are noted. Ensure that all parts move freely.
2. Verify that the product and the application are compatible, if in doubt call Blackhawk Automotive Technical Service (816) 891-6390.
3. Before using this product, read the operator's manual completely and familiarize yourself thoroughly with the product and the hazards associated with its improper use.
4. Insert roll pin into the bottom hole of the extension tube to prevent inadvertent loss of the extension tube. Model BH5220 is pre-installed.
5. Always check the vehicle owners or service manual for location of proper lift and support points.

OPERATION

IMPORTANT! Rated capacity is per pair. Use **ONLY** one pair per vehicle. No alterations shall be made to this device. Do not use adapters or accessories on the saddle or base frame.

1. Adjust saddle height by pulling up the extension tube, then insert the tube support bar through the hole on extension tube.
2. For model BH5010: Ensure that support bar is secure before loading. Insert support bar into the extension tube far enough to create equal distance of bar extending from the extension tube on both sides.
For model BH5220: Check to ensure support bar is secure and nested across 2 corresponding radii before loading. Ensure that support bar is inserted completely so that bar stop engages the collar.
3. Carefully position stands so that load is centered on stand's saddle.
4. Slowly lower the vehicle onto the stands.
5. Check to ensure that vehicle is secure before working on, around or under. When used to support vehicle, use wheel chocks to prevent inadvertent movement.

To lower load

CAUTION! Ensure that all tools, equipment and personnel are clear before lowering load.

1. With suitable jack, raise vehicle clear of stands.
2. Carefully release support bar and allow extension tube to glide down to lowest position.
3. Carefully remove stands, then carefully lower vehicle with jack.

MAINTENANCE

To help prevent rust, wipe clean and/or blow dry after each use. Do not apply oil or lubricant to ANY portion of this product. Keep support bar in bar holder on base section.

Note: No replacement parts are available for this device. Replace as matched pair only. To replace missing or damaged labels and operator's manuals, contact: SFA Companies 10939 N. Pomona ave, Kansas City, MO 64153 Tel: (816) 891-6390 Fax: (816) 891-6599 E-mail: sales@blackhawk-automotive.com