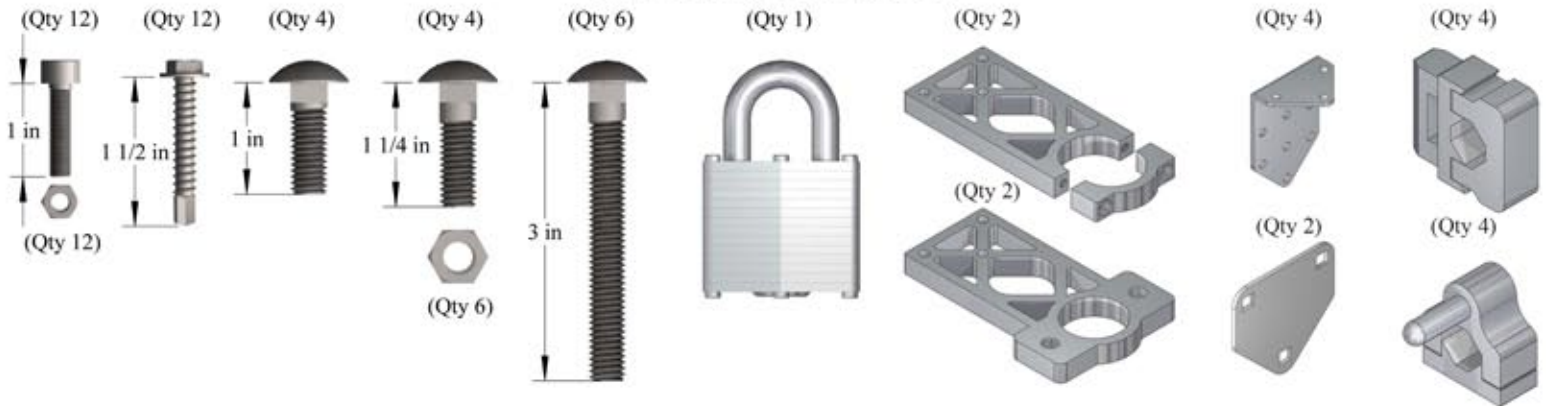


Xtreme Series Trimmer Rack Instructions

Included Hardware



Locking/Unlocking the Rack

The handle located on the top locks and unlocks the trimmers, simply rotate 1/4 turn to the left to unlock as shown in the illustration.

The Lock operates like a typical padlock it slides out to unlock and allow the handle and inner locking mechanism to rotate and pushes in to lock keeping the handle and inner locking mechanism from being able to rotate.

- 1) Unlock the padlock.
- 2) Turn the handle on the top 1/4 turn to the left
- 3) Press thumb lever to remove trimmer
- 4) Reverse steps to lock the rack

Cable Securing Loop Feature

Your Xtreme Series Trimmer Rack is equipped with a cable securing loop. This piece is designed so that a cable can be used to secure your rack to your trailer frame. This prevents someone from unbolting or cutting your rack off of the trailer.

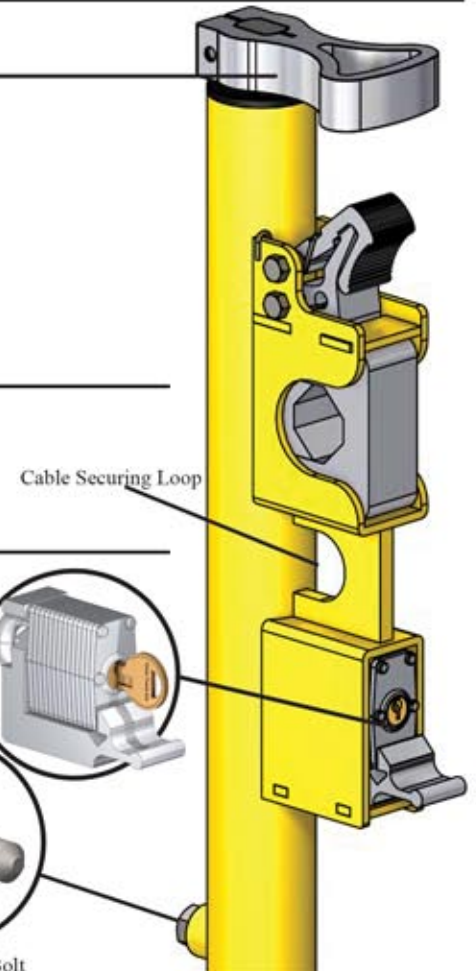
Replacing the Padlock

This rack is designed to use a typical Master Lock® #3 padlock which can be purchased in most hardware stores.

To replace the lock:

- 1) Unlock the padlock.
- 2) Remove all trimmers from the rack.
- 3) Remove the rotation limiter bolt from the back of the rack.
- 4) Turn the handle at the top of the rack 1/4 turn to the right.
- 5) The lock will now slide out.
- 6) Replace with Master Lock® #3 padlock.

Note: Remove plastic banding from the lock before replacing.



Mounting the aluminum blocks onto your trimmer shaft

The locking end aluminum block should be mounted on the engine end of the line trimmer about 1/4" in front of the throttle assembly.

The support end aluminum block should be mounted towards the cutting head of the line trimmer, it can be mounted with the spike facing toward the engine or toward the cutting head.

- 1) Bolt the aluminum blocks onto your trimmer shaft, leave the support side loose but tighten the locking side.
- 2) Secure the line trimmer into the locking side rack, then slide the support side aluminum block into the funnel shaped receiver and tighten it in place.



Open Trailer Mounting Instructions

Note: 4 position trimmer racks are not intended for use on open trailers unless they are installed using the advanced open trailer mounting method. Do not use this method to mount 4 position trimmer racks to your open trailer. Doing so could damage your rack and trailer

- 1) Drill and bolt the locking side of the rack directly over a support on the rail of your trailer.
- 2) Drill and bolt the support side of the rack onto the trailer rail and to the left of the locking side, the spacing should be 36 3/4 inches center to center, it does not have to be over a support.
- 3) You are now ready to mount your trimmers.

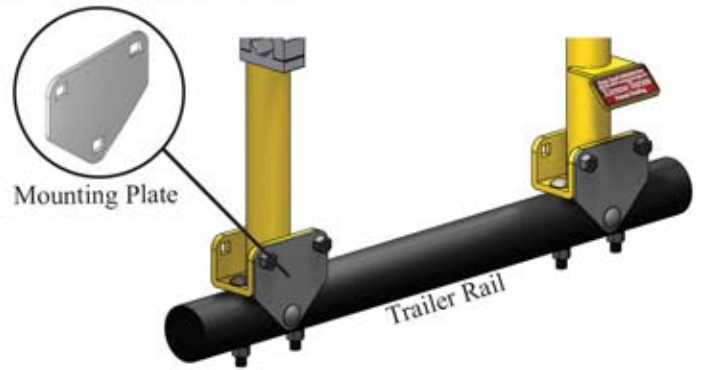
See: Mounting the aluminum blocks onto your trimmer shaft

Note: If you plan on welding the rack to your trailer rail you will need to grind off the galvanize from the baseplate of the rack.



Open Trailers with Round Side Rails

- 1) Bolt the mounting plate onto the trimmer rack using the 1" carriage bolts. It can be mounted to the front or back of the rack.
- 2) Bolt the rack to the rail as shown.



Mounting the Rack to Trailers with Weak Side Rails or Pickup Trucks

If you can not mount directly over an upright support or your trailer rail flexes to much you can purchase extensions.

Extensions are available in the following sizes:

Item#	Length
EA014	14" Extension
EB020	20" Extension
EC024	24" Extension

To determine the length you need measure from the floor of the trailer to the top of the rail, this is the minimum length that you can use. This same method can be used to mount to pickup trucks. There are two mounting methods show, below the rail and inside the rail. We prefer the below the rail method because it leaves the full width of the trailer deck open but both methods will ensure a rugged mount.



Enclosed Trailer Mounting Instructions

- 1) Attach the 90 Degree brackets to the aluminum enclosed brackets (Figure 1 & 2)
- 2) Hold trimmer rack in place to determine where the bottom bracket will be placed. Screw the bottom bracket for the locking side directly into the trailer wall frame.
- 3) Measure to the left 36 3/4 inches and the same distance off the floor, attach the bottom bracket for the support side to the wall it does not have to be screwed into the trailer wall frame.
- 4) Hold the locking side in place on the bottom bracket and mark the location for the top bracket then attach to the wall.
- 5) Hold the support side in place on the bottom bracket and mark the location for the top bracket then attach to the wall.
- 6) Bolt both sides of the rack into place on the brackets.
- 7) You are now ready to mount your trimmers.

See: Mounting the aluminum blocks onto your trimmer shaft

Note: You can increase or decrease the distance your rack sits off the wall by using different hole sets (Figure 1 & 2)



Advanced Open Trailer Mounting Instructions

WARNING: 4 POSITION TRIMMER RACKS ARE NOT INTENDED FOR USE ON OPEN TRAILERS UNLESS THEY ARE INSTALLED USING THIS METHOD. DO NOT BOLT THE RACK DIRECTLY TO THE TOP RAIL, DOING SO WILL VOID YOUR WARRANTY.

- 1) Bolt the 90 Degree bracket onto the bottom enclosed trailer bracket (Figure 3).
- 2) Drill and bolt the bottom brackets onto the lower trailer rail. Space the brackets 36 3/4 inches apart center to center.
- 3) Bolt the locking side of the rack to the right bottom bracket.
- 4) Secure the top bracket in place on the rack then drill and bolt to the top trailer rail (Figure 4).
- 5) Bolt the support side in place using the same method.
- 6) You are now ready to mount your trimmers.

See: Mounting the aluminum blocks onto your trimmer shaft

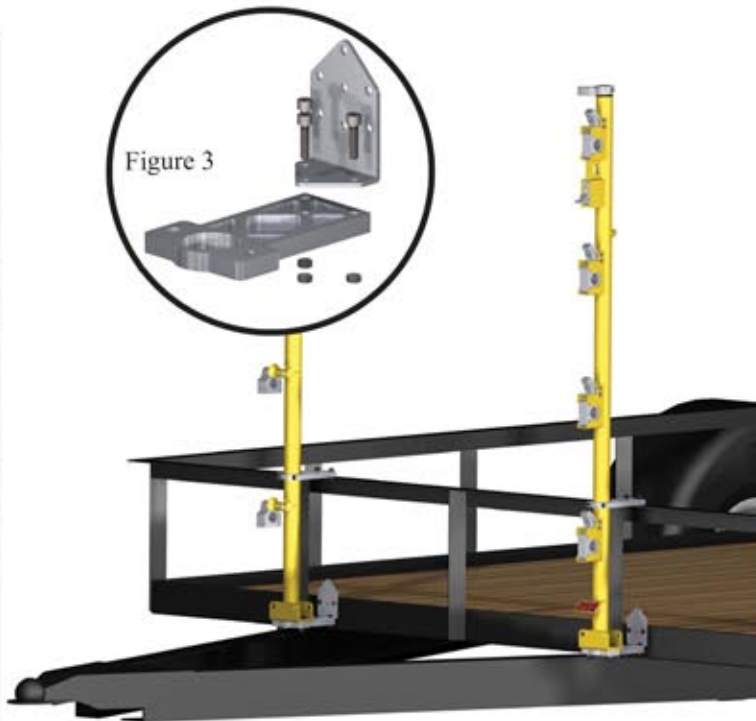
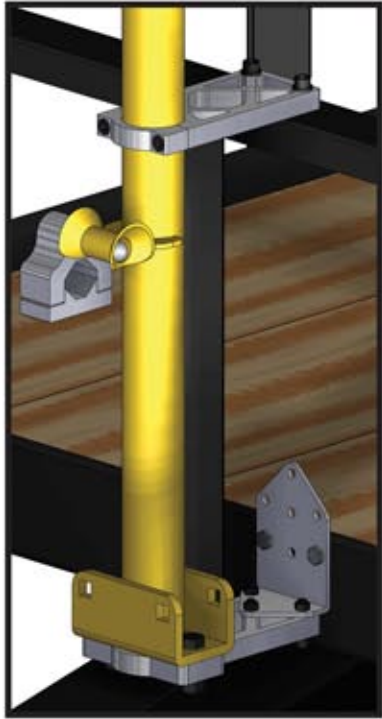


Figure 4

Pole Saw Bracket

The pole saw bracket kit will allow you to mount one Pole Saw with up to a 2" diameter shaft to mount on your Xtreme Series Trimmer Rack. This bracket can be used with both open and enclosed trailer setups.

Note: SOLD SEPARATELY
Item #: CX116

Instructions

The pole saw bracket kit will allow you to mount one Pole Saw with up to a 2" diameter shaft to mount on your Xtreme Series Trimmer Rack. This bracket can be used with both open and enclosed trailer setups.

There are several possible configurations for mounting the pole saw brackets onto your trimmer rack some of them require the use of the top enclosed trailer bracket which is included with the line trimmer rack. The following illustrations show the mounting options.

