

ULTRA-TOW™

TRAILER DOLLY OWNER'S MANUAL



WARNING: Read carefully and understand all **INSTRUCTIONS** before operating. Failure to follow the safety rules and other basic safety precautions may result in serious personal injury.

Item # 143754

Thank you very much for choosing an Ultra-Tow™ product! For future reference, please complete the owner's record below:

Model: _____ Purchase Date: _____

Save the receipt, warranty and these instructions. It is important that you read the entire manual to become familiar with this product before you begin using it.

This trailer dolly is designed for certain applications only. The manufacturer cannot be responsible for issues arising from modification. We strongly recommend this dolly is not modified and/or used for any application other than that for which it was designed. If you have any questions relative to a particular application, DO NOT use the product until you have first contacted the manufacturer to determine if it can or should be performed on the product.

For technical questions please call **1-800-222-5381**.

INTENDED USE

The trailer dolly can safely move a lightweight trailer over short distances.

TECHNICAL SPECIFICATIONS & PACKING LIST

Item	Description
Capacity	600Lbs.(270kgs)
Product Size	47in.x26in.x15in.(119x66x38cm)
Hitch Ball Size	1 7/8in.(48mm)

GENERAL SAFETY RULES



WARNING: Read and understand all instructions.



CAUTION: Do not allow persons to use or assemble this trailer dolly until they have read this manual and have developed a thorough understanding of how the dolly works.



WARNING: The warnings, cautions, and instructions discussed in this instruction manual cannot cover all possible conditions or situations that could occur. It must be understood by the operator that common sense and caution are factors which cannot be built into this product, but must be supplied by the operator.

SAVE THESE INSTRUCTIONS

WORK AREA

When assembling or operating the trailer dolly

- **Keep work area clean**, free of clutter and well lit. Cluttered and dark work areas can cause accidents.
- **Keep children and bystanders** away while assembling or working with the dolly. Distractions can cause loss of control, so visitors should remain at a safe distance from the work area.
- **Be aware of all power lines, electrical circuits**, water pipes and other mechanical hazards near your work area, particularly those hazards below the work surface hidden from the operator's view that may be unintentionally contacted and may cause personal harm or property damage.

PERSONAL SAFETY

- **Stay alert**, watch what you are doing and use common sense when using the trailer dolly.

DOLLY USE AND CARE

- **Do not modify the trailer dolly in any way.** Unauthorized modification may impair the function and/or safety and could affect the life of the equipment. There are specific applications for which the dolly was designed.
- **Always check for damaged or worn parts before using the dolly.** Broken parts will affect the dolly operation. Replace or repair damaged or worn parts immediately.
- **Do not exceed the trailer dolly 600-lb. load capacity.**
- **Always wear ANSI-approved safety goggles** when working with tools and equipment.
- **Always keep arms, feet, and legs, etc. out from under the trailer tongue** while hitching, unhitching or moving the trailer. Children should never be allowed to play with the trailer dolly and always be kept at a safe distance.
- **Always make sure the loaded trailer is blocked properly** while the trailer dolly is being moved into place.
- **Make sure the trailer tongue is securely connected to the trailer dolly coupler ball** before attempting to unblock and move the trailer.
- Take precautions to prevent uncontrolled movement of the trailer once it is connected to the trailer dolly. Remember, the slope of a roadbed surface is difficult to judge, and the pull of gravity can result in a dangerously out-of-control trailer.
- If the trailer dolly is being connected to a trailer which is being stored over a lengthy period of time, make sure both the trailer and the trailer dolly are blocked properly.
- Keep the trailer dolly clean and free of road dirt. Inspect the trailer dolly before each use to make sure all parts are securely in place and in working order. Periodically lubricate moving parts.
- Maintain proper tire pressure at all times. Do not over or under inflate the tires.

ASSEMBLY

- **Recommended Tools:**
 - 1 ea.- wrench
- **TIP:** Refer to parts diagram during assembly to see fully assembled product.
- **Step 1: Assemble Tires and Base**

Hardware Needed:

Qty 1: Ball (Part #6)

Qty 1: Spring Washer (Part #7)

Qty 1: Nut (Part #8)

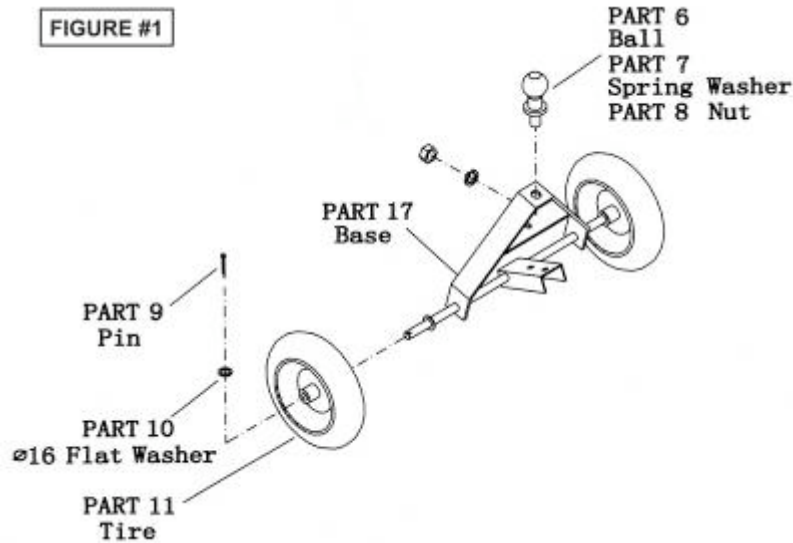
Qty 2: Pin (Part #9)

Qty 2: Φ 16 Flat Washer (Part #10)

Qty 2: Tire (Part #11)

Qty 1: Base (Part #17)

See figure#1 below. Attach tires (Part #11) onto base (Part #17) using pin (Part #9)and Φ 16 flat washer (Part #10). Next, insert ball (Part #6) to base (Part #17) using washer and nut.



□ **Step 2: Attach Tow Bar-2 to Base from step 1.**

Hardware Needed:

Qty 4: Bolt M10x25 (Part #1)

Qty 5: Φ 10 Spring Washer (Part #2)

Qty 5: Φ 10 Flat Washer (Part #3)

Qty 5: Nut M10 (Part #4)

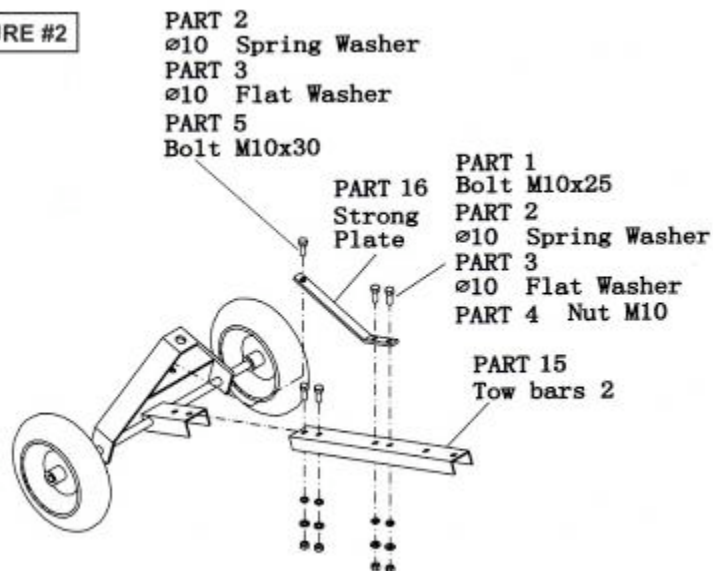
Qty 1: Bolt M10x30 (Part #5)

Qty 1: Tow Bar-2 (Part #15)

Qty 1: Strong Plate (Part #16)

See figure #2 below. Attach tow bar-2 and strong plate into the base using M10X25 bolt and washer.

FIGURE #2



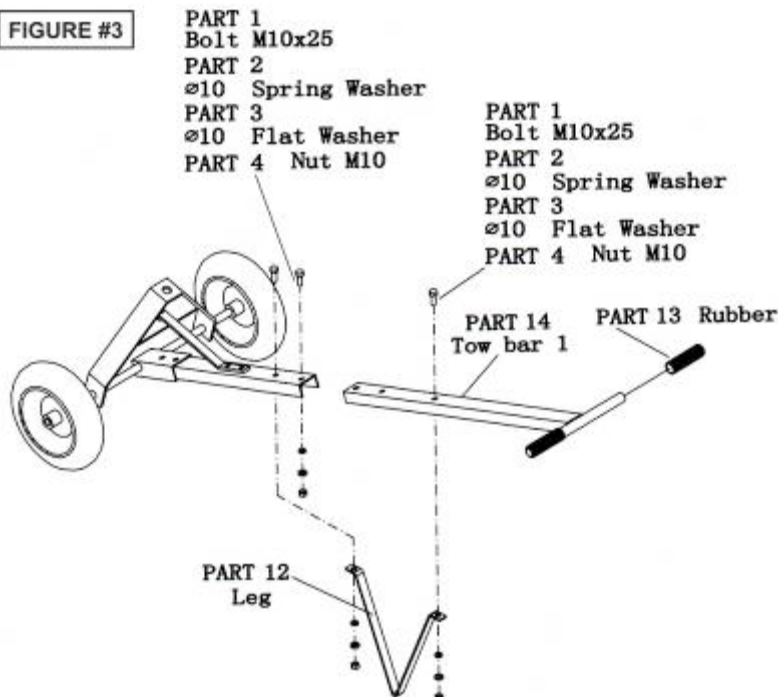
□ **Step 3: Attach Tow Bar-1.**

Hardware Needed:

- Qty 3: Bolt M10x25 (Part #1)
- Qty 3: Φ10 Spring Washer (Part #2)
- Qty 3: Φ10 Flat Washer (Part #3)
- Qty 3: Nut M10 (Part #4)
- Qty 1: Leg (Part #12)
- Qty 2: Rubber (Part #13)
- Qty 1: TowBar-1 (Part #14)

Attach the tow bar-1 (Part #14) onto tow bar-2 (Part #15) using M10X25 bolt (Part #1), M10 nut (Part #4) and two washers (Part #2,3). See below.

FIGURE #3



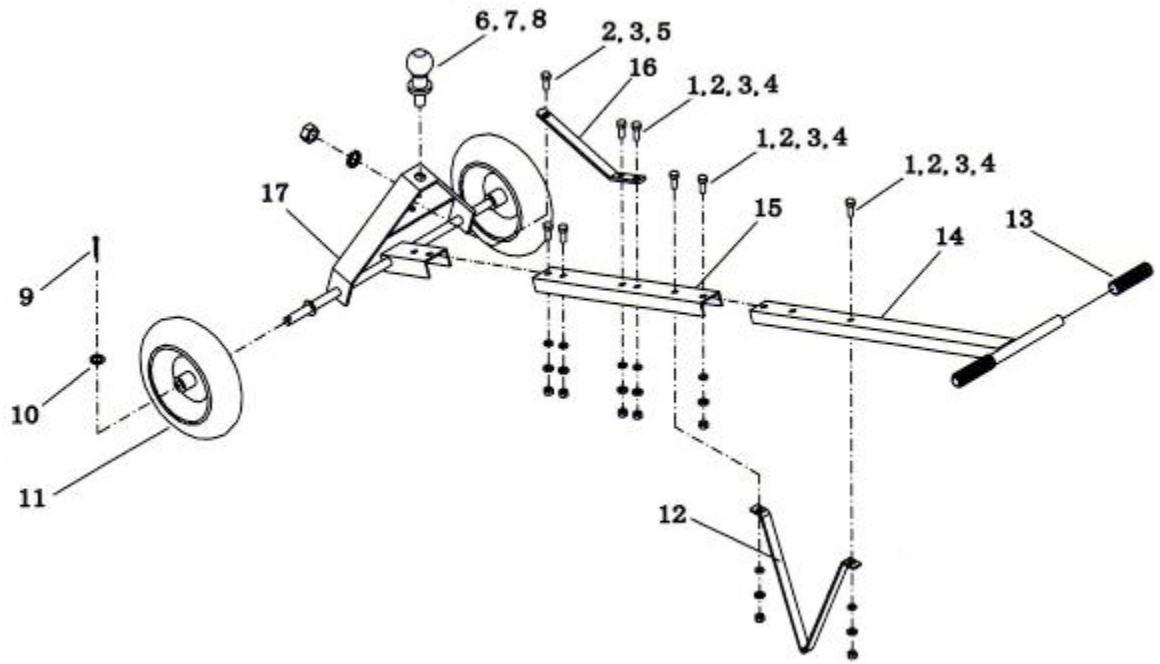
□ **Step 4. Assembly Completed**

IMPORTANT! Check that all connections are tight.

MAINTENANCE

- **Maintain your trailer dolly.** It is recommended that the general condition of the trailer dolly be examined before it is used. Keep the dolly in good repair by adopting a program of conscientious repair and maintenance in accordance with the recommended procedures found in this manual.
- **Keep the trailer dolly clean.** A properly maintained trailer dolly will work more effectively. Keep all of parts dry, clean, and free from oil and grease.
- **Cleaning.** Use only soap and a damp cloth to clean your trailer dolly.

DIAGRAM & PARTS LIST



Part#	Description	Qty.
1	Bolt M10X25	7
2	Φ10 Spring Washer	8
3	Φ10 Flat Washer	8
4	Nut M10	8
5	Bolt M10X30	1
6	Ball	1
7	Spring Washer	1
8	Nut	1
9	Pin	2
10	Φ16 Flat Washer	2
11	Tire	2
12	Leg	1
13	Rubber	2
14	Tow Bar-1	1
15	Tow Bar-2	1
16	Strong Plate	1
17	Base	1

For replacement parts and technical questions, please call **1-800-222-5381**.

WARRANTY

One-Year Limited Warranty

ULTRA-TOW™

Northern Tool + Equipment Co.,
2800 Southcross Drive West
P.O. Box 1499 Burnsville, MN 55337-0499
Made in China