



# **1000-LB. CAPACITY ADJUSTABLE SCAFFOLDING**

## **OWNER'S MANUAL**



**WARNING:** Read carefully and understand all **INSTRUCTIONS** before operating. Failure to follow the safety rules and other basic safety precautions may result in serious personal injury.

# Item # 143262

Thank you very much for choosing a NORTHERN TOOL + EQUIPMENT CO., INC. Product! For future reference, please complete the owner's record below:

Model: \_\_\_\_\_ Purchase Date: \_\_\_\_\_

Save the receipt, warranty and these instructions. It is important that you read the entire manual to become familiar with this product before you begin using it.

This item is designed for certain applications only. Northern Tool + Equipment cannot be responsible for issues arising from modification. We strongly recommend this machine is not modified and/or used for any application other than that for which it was designed. If you have any questions relative to a particular application, DO NOT use the machine until you have first contacted Northern Tool + Equipment to determine if it can or should be performed on the product.

For technical questions please call **1-800-222-5381**.

## INTENDED USE

This scaffold is intended for indoor use such as painting or drywall installation. This scaffold is not designed to be used outdoors, or on uneven surfaces. It is easy to stand on and offers more flexibility than a ladder.

## TECHNICAL SPECIFICATIONS

Item	Description
Capacity	1000 lbs.
Casters	5" swivel with brakes
Plywood platform	1/2" thick
Overall dimensions	74"W x 29"D; extends from 28" to 71 1/4"H

## GENERAL SAFETY RULES



**WARNING: Read and understand all instructions.** Failure to follow all instructions listed below may result in electric shock, fire and/or serious injury.



**WARNING: The warnings, cautions, and instructions discussed in this instruction manual cannot cover all possible conditions or situations that could occur.** It must be understood by the operator that common sense and caution are factors which cannot be built into this product, but must be supplied by the operator.



**WARNING: Do not use scaffolding outdoors.** For indoor use on flat, smooth surfaces only.

## SAVE THESE INSTRUCTIONS

## WORK AREA

- **The work area** must be indoors on a level, flat surface only. Not for outdoor use.
- **Keep work area clean**, free of clutter and well lit. Cluttered and dark work areas can cause accidents.
- **Do not use your scaffolding where there is a risk of causing a fire or an explosion**; e.g. in the presence of flammable liquids, gasses, or dust.
- **Keep children and bystanders** away while using the scaffolding. Distractions can cause you to lose control, so visitors should remain at a safe distance from the work area.
- **Be aware of all power lines, electrical circuits**, water pipes and other mechanical hazards in your work area, particularly those hazards below the work surface hidden from the operator's view that may be unintentionally contacted and may cause personal harm or property damage. Maintain a minimum safe distance of at least 10 feet of live wires.
- **Be alert of your surroundings**. Using scaffolding in confined work areas may put you dangerously close to cutting tools and rotating parts.

## PERSONAL SAFETY

- **Stay alert**, watch what you are doing and use common sense when using scaffolding. Do not use while you are tired or under the influence of drugs, alcohol or medication. A moment of inattention while using scaffolding may result in serious personal injury.
- **Dress properly**. Do not wear loose clothing, dangling objects, or jewelry. Keep your hair, clothing and gloves away from moving parts. Loose clothes, jewelry or long hair can be caught in moving parts. Air vents often cover moving parts and should be avoided.
- **Use safety apparel and equipment**. Use safety goggles or safety glasses with side shields which comply with current national standards, or when needed, a face shield. Use as dust mask in dusty work conditions. This applies to all persons in the work area. Also use non-skid safety shoes, hardhat, gloves, dust collection systems, and hearing protection when appropriate.
- **Do not overreach**. Keep proper footing and balance at all times.

## SCAFFOLDING USE AND CARE

- **Never use** or store scaffold outside.
- **Never use** scaffold on uneven surface.
- **A platform exposed to excessive** heat, as in the case of fire, should be immediately removed from service and destroyed due to loss of structural strength.
- **Periodically check, and do not use** the scaffolding if the decking surface is damaged or has deteriorated. Periodically coat wood decking with a transparent wood preservative. Do not paint. Replace platform every 2 years to ensure a quality work surface.
- **Do not stack** this scaffold. This scaffold is not designed to be used more than one unit high.
- **Never use scaffold** if tubular members are bent, crushed, flattened, kinked, or if welds are corroded, cracked or broken.
- **Do not permit oil**, grease, or slippery material to accumulate on climbing or gripping surfaces.
- **Do not overload!** Platform and stages are designed with rated working loads of 1000 lbs. This means the total combined weight of each worker and all materials should not exceed the rated working load.
- **Set-up the scaffolding** so that the platform and working surface is level.

- **Plumb and level** scaffold as the erection proceeds. Do not force braces to fit. Level the scaffold until proper fit can be made easily.
- **Use guard rails, midrails, and toeboards** as required by local, state, and Federal regulations. Their use is recommended in all cases.
- **Do not allow unstable objects**, such as barrels, boxes, loose brick, tools and debris to accumulate on the work surface.
- **Do not use a ladder** or other objects on the platform to gain greater heights.
- **Never climb onto a platform** from a ladder.
- **Do not ride on a moving** scaffold platform or platform. Tools, material, and equipment should not be stored on scaffolds that are being moved.
- **Do not apply impact** loads to the platform.
- **Do not use acids** or other corrosive substances on a platform. The platform surface should be cleaned after every use.
- **Tie scaffolding to the building.** Scaffolding should be tied to the structure using heavy wire or tie-in devices. The first vertical tie should be at the maximum height of 3 times the narrowest base dimension.
- **Use overhead canopies** to protect workers on the ground, and rope off unsafe areas underneath the scaffold.

## ASSEMBLY

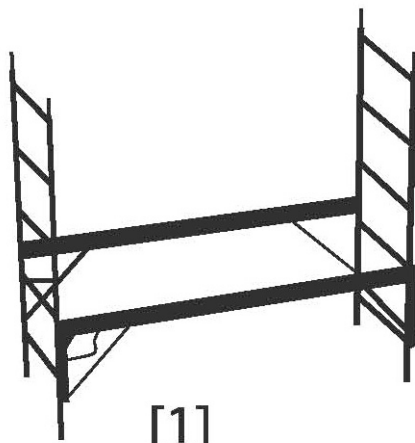


**WARNING:** Make sure both horizontal frames are positioned at the same height on the end frames so the platform is level. Make sure all pins on the horizontal frames, and the additional four safety pins are fully inserted into the end frames prior to use.



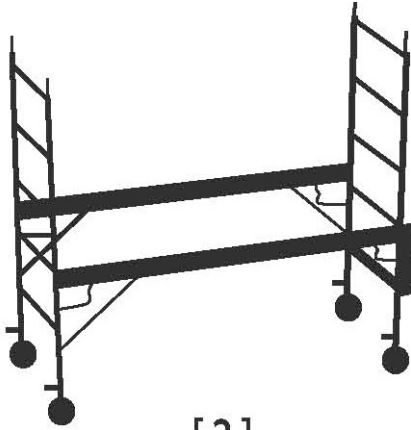
**WARNING:** All four wheels must be locked prior to climbing on to the scaffold. When accessing platform, climb over the top of the end frame – **do not** swing around the side of the end frame.

**Note:** The scaffold should be assembled and adjusted by a minimum of two people.



1.

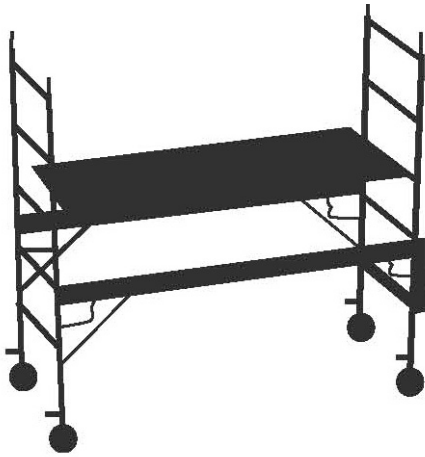
Assemble the horizontal frames (#1) on to the adjustable end frames (#2).



[2]

2.

Assemble each of the swivel wheels with brake (#5) onto the end frames (#2) and fixed by pins.



[3]

3.

Set the platform (#3) on the frame (#1) and fix into position by rotation the spring pins into the engaged position over the platform.

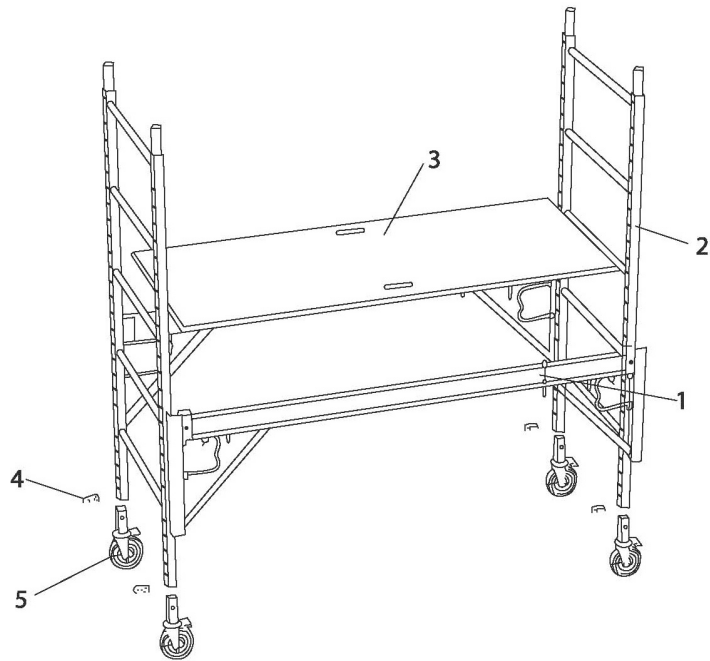
4.

Check all of the pins (#4) and make sure they are fully inserted and the platform is secured properly to the frame.

## MAINTENANCE

**Maintain your scaffold.** It is recommended that the general condition of this scaffolding be examined every time prior to use. Do not use if any members are bent, crushed, rusty, broken, cracked or have any other visible damage that could affect the structural integrity of the scaffold.

## DIAGRAM & PARTS LIST



Part#	Description	Qty.
1	Horizontal Frame	2
2	Adjustable End Frame	2
3	Platform	1
4	Pin	8
5	5" Swivel Wheels with Brake	4

For replacement parts and technical questions, please call **1-800-222-5381**.

### MANUFACTURER'S LIMITED WARRANTY

The limited warranty set forth below is given by Northern Tool + Equipment Company Inc., (NTE) with respect to new merchandise purchased and used in the United States, its possessions and territories.

NTE warrants this product against defects in material and workmanship for a period of one (1) year commencing on the date of original purchase and will, at its option, repair or replace, free of charge, any part found to be defective in material or workmanship. This limited warranty shall only apply if this product has been operated and maintained in accordance with the Operator's Manual furnished with the product, and has not been subject to misuse, abuse, commercial use, neglect, accident, improper maintenance, alteration, vandalism, theft, fire, water or damage because of other peril or natural disaster. Damage resulting from the installation or use of any accessory or attachment not approved by NTE for use with the product(s) covered by this manual will void your warranty as to any resulting damage. This warranty is limited to ninety (90)

days from the date of original retail purchase for any NTE product that is used for rental or commercial purposes, or any other income-producing purposes.

NTE reserves the right to change or improve the design of any NTE product without assuming any obligation to modify any product previously manufactured.

**No implied warranty, including any implied warranty of merchantability or fitness for a particular purpose, applies after the applicable period of express written warranty above as to the parts as identified. No other express warranty or guaranty, whether written or oral, except as mentioned above, given by any person or entity, including a dealer or retailer, with respect to any product shall bind NTE during the period of the Warranty, the exclusive remedy is repair or replacement of the product as set forth above.** (Some states do not allow limitations on how long an implied warranty lasts, so the above limitation may not apply to you.)

**The provisions as set forth in this warranty provide the sole and exclusive remedy arising from the sales. NTE shall not be liable for incidental or consequential loss or damages including, without limitation, expenses incurred for substitute or related expenses, or for rental expenses to temporarily replace a warranted product.** (Some states do not allow limitations on how long an implied warranty lasts, so the above limitation may not apply to you.)

In no event shall recovery of any kind be greater than the amount of the purchase price of the product sold. Alteration of the safety features of the product shall void this warranty. You assume the risk and liability for loss, damage, or injury to you and your property and/or to others and their property arising out of the use or misuse or inability to use the product.

This limited warranty shall not extend to anyone other than the original purchaser, original lessee or the person for whom it was purchased as a gift.

**How State Law Relates to this Warranty:** This warranty gives you specific legal rights, and you may also have other rights which vary from state to state.

For questions about your warranty, please call 1-800-222-5381.



Northern Tool + Equipment Co.  
2800 Southcross Drive West  
P.O. Box 1499 Burnsville, MN 55337-0499  
Made in China