

# TW4000 & TW9000 OWNER'S MANUAL



## StrongArm® 12 Volt DC ELECTRIC TRAILER WINCHES

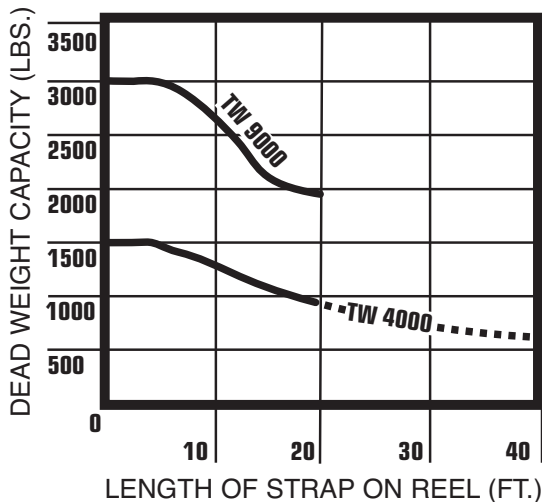


**! WARNING:** READ INSTRUCTIONS CAREFULLY BEFORE ATTEMPTING TO INSTALL, OPERATE OR SERVICE THE STRONGARM ELECTRIC WINCH. FAILURE TO COMPLY WITH INSTRUCTIONS COULD RESULT IN SERIOUS OR FATAL INJURY. RETAIN INSTRUCTIONS FOR FUTURE REFERENCE.

ENGLISH

### WINCH RATINGS

#### ELECTRIC WINCH RATING



StrongArm TW electric trailer winches are manufactured for loading and unloading of boats, personal watercraft, vehicles, etc. The TW4000 winch features power-in, free wheel out and 20' of 2" wide strap. The TW9000 features power-in, power-out, free wheel and 20' of 2" wide strap.

Note that as strap builds up on the reel, the pulling capacity of the winch decreases (see graph at left). For intermittent use only. Ratings at left are based on 6' pull. For longer pulls adequate motor cooling periods must be allowed.

TW4000-MAXIMUM CONTINUOUS RUN TIME  
3 MINUTES

TW9000-MAXIMUM CONTINUOUS RUN TIME  
4 MINUTES

**! CAUTION:** CONTINUOUS RUNNING IN EXCESS OF 3 MINUTES (TW4000) AND 4 MINUTES (TW9000) WILL DAMAGE WINCH MOTOR.

#### GUIDE TO ROLLING LOAD CAPACITY\*\* Maximum weight in pounds and kilograms rolling load.

MODEL	PERCENT INCLINE						LOAD CAPACITY
	5% (3°)	10% (6°)	20% (11°)	30% (17°)	50% (26°)	70% (35°)	
TW4000	10,000 lbs. 4,536 kg	7,500 lbs. 3,402 kg	5,100 lbs. 2,313 kg	3,900 lbs. 1,769 kg	2,700 lbs. 1,225 kg	2,200 lbs. 998 kg	1500 lbs. 681 kg
TW9000	20,000 lbs. 9,072 kg	15,000 lbs. 6,804 kg	10,200 lbs. 4,627 kg	7,700 lbs. 3,493 kg	5,500 lbs. 2,495 kg	4,500 lbs. 2,041 kg	3,000 lbs. 1,362 kg

#### APPROXIMATE LOAD SPEED (FT./MIN.)

	NO LOAD		FULL LOAD	
	Full Reel	Empty Reel	Full Reel	Empty Reel
TW4000	22	11	8.2	4.4
TW9000	15	9	6.3	4.3

(\*\*) All capacities shown are with 2' of strap on the reel and 10% rolling friction factor. For full reel of line adjust capacities according to graph above. Note 5% incline is one-half foot rise in ten feet.

TW series electric winches are built for trailer loading and other horizontal pulling applications. They are not to be used for lifting, supporting or transporting people or loads over areas where people could be present or for any vertical lifting or lowering applications.

# IMPORTANT SAFETY INFORMATION

- ⚠ WARNING: FAILURE TO READ AND FOLLOW INSTRUCTIONS BELOW COULD RESULT IN SERIOUS OR FATAL INJURY.**
- ⚠ WARNING:** This winch is built for trailer loading and other horizontal pulling applications. **NOT TO BE USED FOR LIFTING, SUPPORTING OR TRANSPORTING PEOPLE OR LOADS OVER AREAS WHERE PEOPLE COULD BE PRESENT OR FOR ANY VERTICAL LIFTING OR LOWERING APPLICATIONS.**
- ⚠** This electric winch should be respected as power equipment. High forces are created when using a winch, creating potential safety hazards. Never allow children or anyone who is not familiar with the operation of the winch to use it.
- ⚠** Never exceed rated winch load. Dangerously high forces can be created if the load being moved is too large or is allowed to get in a bind, etc. Pay attention to the sound of the winch and stop pulling immediately if the winch begins to stall. Note that installing longer than normal line results in increased load on the winch.
- ⚠** Winch is equipped with high-quality strap capable of handling the rated winch load. Never exceed the rated capacity. Do not use vehicle pulling power to increase the pulling capacity of your winch.
- ⚠** Keep the winching area free of all unnecessary personnel. Never stand between load and winch or directly in line with load and winch.
- ⚠** This winch operates from a low voltage 12 volt D.C. power source (e.g., a car or truck battery). **DO NOT** connect winch to 120V A.C. power.
- ⚠** When winching operation has been completed, do not depend on the winch to support the load. Always secure the load properly. Use tie down straps or chains.
- ⚠** The auxiliary handle is for emergency use only. Never use the auxiliary handle as an assist to the motor when the motor is running. Always remove the auxiliary handle when it is not in use. Do not operate the winch motor or allow the winch to free wheel with the handle installed.
- ⚠** Keep hands and fingers clear of the drum and line area of the winch when operating. Do not attempt to guide the line by hand as it rewinds on the drum.
- ⚠** The winch must be securely attached to a structural member or frame that is capable of sustaining loads in excess of the winch capacity. When attaching the winch to a vehicle, make sure the mounting pad area is rigidly supported by the vehicle frame. Always block the wheels to prevent vehicle from rolling when pulling a load with the winch.
- ⚠** When releasing a load with the clutch, maintain control of the speed. Excess speed could result in winch damage and serious personal injury.
- ⚠** Keep the pull of the strap onto the reel as straight as possible to avoid strap damage.
- ⚠** Inspect strap and hook on each use and replace at the first sign of wear or abnormal appearance.

## MOUNTING INSTRUCTIONS

1. Be sure that the mounting surface is of sufficient strength to support a load well in excess of the rated winch capacity.
2. Fasten the winch to the trailer winch stand (or other mounting surface) with three 1/2" bolts, nuts, washers and lock washers. Be sure that the winch is positioned so that the strap winds onto the reel as straight as possible.
3. On boat trailer installations the winch stand should be adjusted so that the loading ring on the bow of the boat is at the same height or slightly higher than the winch drum when the boat is fully loaded on the trailer.

Be sure that the trailer-bow stop is located far enough back of the winch drum so that the strap hook is not drawn into the drum when the boat is fully loaded on the trailer.

4. Your winch is equipped with keyhole slots in the base for use with quick mounting shoulder studs, if desirable. (See FIG. 1) If you wish to use quick mount studs, (DL Accessory No. 6365) they should be mounted securely into the winch stand. After positioning the winch on the studs, a 3/8" bolt should be placed in one of the other holes available to keep the winch securely in position.

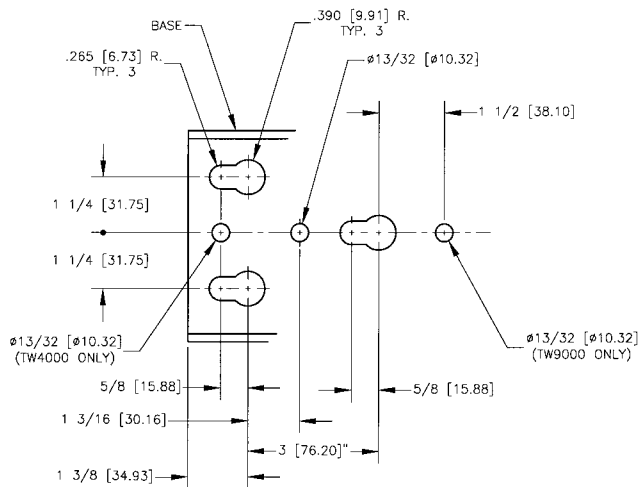


FIG. 1

## WIRING HARNESS INSTALLATION

The wiring harness is designed to remain in the trunk of the car when not in use. This prevents tampering, accident or misuse since the harness is needed to operate the winch electrically.

These installation instructions provide ready access for use, yet allow the complete harness to be quickly removed if desired.

1. Feed positive lead (long) wire only through any convenient access hole inside the car trunk. It may be necessary to remove a knockout plug or rubber grommet from the trunk floor. It may also be necessary to remove the circuit breaker assembly from the positive wire in order to feed the wire under the car.
2. Pull the positive lead wire along the underside of the car into the engine compartment and up to the battery. Fasten the wire to the car undercarriage with existing wiring clamps and brackets, making sure wire is not located near the exhaust system, or any hot or moving parts. Wire should be fastened securely and without slack. Excess wire should remain in the trunk.
3. Fasten the circuit breaker to the positive (+) battery terminal (if nut and bolt type) or to the battery side of the starter solenoid.
4. Attach negative wire to vehicle frame using a 1/4" bolt and locknut. Make sure you have a clean, tight connection.

NOTE: If winch is to be mounted in front of vehicle, cut harness to the length needed making sure, if spliced, the splice is tight and well insulated. Attach ground as described in 4 above.

## LOADING AND UNLOADING UNDER POWER

### MODEL TW4000

1. Attach the plug end of the power supply (wiring harness) into the connector located at the back of the winch. This pushes and snaps into place easily and will only fit in one direction. With the clutch knob in the "Engaged" position, activation of the toggle switch on the side of the winch will power a load in. The switch is spring loaded and will stop the winch and lock the load in position when toggle is released. Leave your

car engine running on fast idle as a precaution in case the battery is not in top condition.

2. Always disconnect the power when winching operation is complete. To disconnect power supply, simply pinch the top and bottom locking device on the plug end with fingers and pull out.
3. For remote switching, place looped spring on toggle switch and attach lanyard.

### MODEL TW9000

1. Attach the plug end of the power supply (wiring harness) into the connector located at the back of the winch. This pushes and snaps into place easily and will only fit in one direction. With the clutch lever in the "Engaged" position, you may power the winch in either the load or unload direction. The switch is spring loaded and will stop the winch and lock the load in position when switch lever is released. Leave your car engine running on fast idle as a precaution in case the battery is not in top condition.
2. Always disconnect the power when the winching operation is complete. To disconnect power supply simply pull the plug end of power supply from the winch.  
NOTE: It is normal for smoke to be produced during the initial power down use.
3. For remote switching, attach lanyard to hole in switch lever.

### TW4000 AND TW9000

**WARNING: EVEN THOUGH THE WINCH IS EQUIPPED WITH CIRCUIT BREAKER OVERLOAD PROTECTION, PARTICULAR CARE SHOULD BE TAKEN NOT TO CREATE AN OVERLOAD. PAY ATTENTION TO THE SOUND OF THE WINCH AND THE LOAD BEING PULLED. MAKE CERTAIN THAT THE STRAP TENSION DOES NOT RISE SUDDENLY BECAUSE OF A BIND IN THE LOAD.**

**CAUTION: The electric motor is designed for intermittent service only. Extended use without cooling off periods will cause overheating resulting in motor damage. Maximum recommended continuous run time is three minutes (TW4000) and four minutes (TW9000).**

**CAUTION: These winches are built for trailering boats, PWC's, vehicles, etc. Secure the load onto the trailer with appropriate bow and transom tie down straps or chains. With the load fully secured on the trailer, it is advisable to relieve the tension on the winch strap to avoid damage to the winch and trailer due to high shock loads encountered when traveling.**

## CLUTCH OPERATION

1. The knob (TW4000) or clutch lever (TW9000) provides a means for releasing a load without power while maintaining control of the speed and provides for freewheeling so that strap can be removed from the winch by hand. The clutch lever on the TW9000 is spring loaded so that it returns to the engaged position when released. The lever will, however, remain in the freewheeling position if rotated completely forward to freewheel.

- In order to release a load without power, rotate the knob or clutch lever slowly and carefully forward toward "Freewheel." When the load begins to move, it can be controlled by the knob or clutch lever. Careful, slow movement of the knob or lever will provide smooth control of the load.

**⚠ WARNING: ALWAYS MAINTAIN CONTROL OF THE LOAD. ALLOWING EXCESS SPEED COULD RESULT IN WINCH DAMAGE AND SEVERE PERSONAL INJURY.**

- Remember that the gear train and brake mechanism are completely disengaged in the "Free Wheel" position and in order to power the winch or hold a load in position, the knob or lever must be returned to the "Engaged" position.

NOTE: On the TW9000 it is not necessary to turn the clutch lever completely to the "Engaged" position manually. The spring tension built into the winch provides adequate force on the clutch lever.

**⚠ CAUTION: Never force knob or clutch lever in either direction.**

## AUXILIARY HANDLE

An emergency crank handle is provided for the model TW9000 for use in the event of a power failure. The model TW4000 requires the use of a ratchet wrench and 5/8" deep well socket or a standard 5/8" socket with an extension.

- Disconnect the electrical power from the winch and remove the plastic plug from the side of the winch housing.

**⚠ WARNING: NEVER OPERATE THE WINCH ELECTRICALLY WITH THE EMERGENCY HANDLE OR RATCHET WRENCH IN POSITION.**

### TW4000

- Insert the 5/8" socket and ratchet handle so that it completely engages with the drive shaft. **Turn the drive shaft in the counterclockwise direction only.** (See Fig. 2)

**⚠ WARNING: KEEP THE CLUTCH KNOB IN THE "ENGAGED" POSITION WHILE CRANKING WINCH. DO NOT PUT CLUTCH IN "FREE WHEEL."**

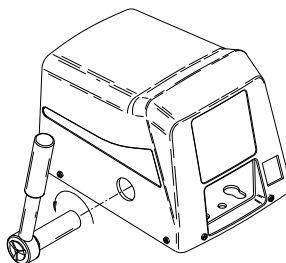


FIG. 2

Socket & Ratchet Handle Illustration (TW4000)

### TW9000

- Insert the emergency handle so it completely engages with the drive shaft. Pull in strap by turning the handle in the clockwise direction (See Fig. 2A). To make cranking easier, the clutch handle can be placed in the "free wheel" position while holding onto the emergency crank handle.

**⚠ WARNING: IF THE CLUTCH IS PLACED IN FREE WHEEL FOR HAND CRANKING, BE SURE TO MAINTAIN A FIRM GRIP ON THE HANDLE AT ALL TIMES.**

Because the TW9000 emergency crank handle

attaches to the clutch side of the winch, it is equipped with a spring-operated clip which will be depressed by the clutch handle in the free wheel position when cranking in a clockwise direction to retrieve strap. This clip is a safety feature and will re-engage the clutch mechanism in the event the operator loses control of the handle with a load on the winch.

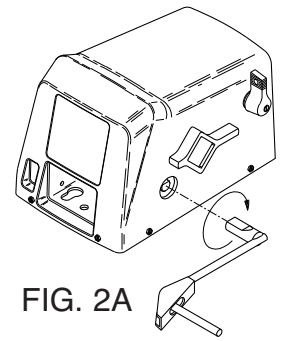


FIG. 2A

Emergency Handle Illustration (TW9000)

**⚠ WARNING: EVEN WITH THIS SAFETY FEATURE, THE HANDLE WILL SPIN VIOLENTLY ONE OR TWO TURNS BEFORE RE-ENGAGING THE CLUTCH TO STOP THE WINCH. DO NOT LOSE CONTROL.**

- Always remove the handle from the winch after use and replace the plastic plug.

## WINCH MAINTENANCE

For long life and trouble-free operation your winch should periodically be inspected for any required maintenance. This should be done at least once annually and more frequently in adverse conditions such as salt water areas or areas of extreme dust and dirt.

**⚠ WARNING: BEFORE PERFORMING ANY MAINTENANCE BE SURE THERE IS NO LOAD ON THE WINCH AND THAT THE POWER HAS BEEN DISCONNECTED.**

- Carefully inspect the winch strap and replace at the first sign of damage. In order to replace the winch strap, it is necessary to remove the winch cover. On the TW4000, remove the slotted nut in the end of the knob with a screwdriver and unscrew the knob from clutch stud. Remove the nut holding the toggle switch into the cover and push the switch inside the winch. Remove the six cover screws and lift the cover from the winch while gently stretching it open to clear the clutch stud. On the TW9000, remove the clutch handle by removing the two clutch handle screws and then remove the six cover screws. Lift the cover from the winch while gently stretching it open to clear the clutch stud.

Rotate the winch reel to gain access to the strap bolt. Remove the old strap and replace it with a new strap of the same size. If the strap bolt is bent, replace it with a bolt of the same size and length. Note that nut on the strap bolt must be on gear side of winch reel and locknut must be used. Do not substitute free running nut. Slide bolt to bottom of slot and tighten nut until snug. Do not over tighten, strap will hold bolt in bottom of slot.

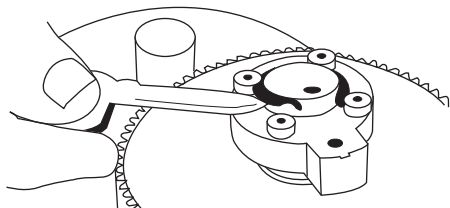
NOTE: STRAP IS WOUND OVER THE TOP OF THE DRUM ON MODEL TW4000 AND UNDER THE DRUM ON MODEL TW9000.

- With the cover removed as described above, inspect the entire gear train and all drive shafts for any significant wear or loose bearing fits. Also, check all nuts, bolts, retaining rings, etc., to be sure that they are tight and secure. Grease all of the gears on the inside of the winch base and apply a drop of oil on all of the bearings in the base. Also, very sparingly oil all of the

bearings in the clutch mechanism and place a drop of oil on the roller clutch. Do not over lubricate these areas and do not use grease in the roller clutch. The clutch mechanism and the brake pads and brake disc on the TW9000 must be kept clean and oil free.

**ADDITIONAL MAINTENANCE TW9000**

3. Check the operation of the roller clutch in the brake disc assembly (AF). Carefully rotate the brake disc and observe the motor shaft. When the disc is turned clockwise the motor shaft should turn with it. When the disc is turned counterclockwise the motor shaft should not turn.
4. If the clutch has been slipping and requires adjustment the following procedures should be used. The clutch is adjustable in ten degree increments. With a screwdriver and pliers, remove the end of the clutch spring from the hole in the winch base. The spring tension is quite high so be careful to maintain a firm grip on the spring. The O-ring should be rotated so that the cut out portions align with the lugs on the spring keeper. (See FIG. 3)



O-Ring Illustration (TW9000)

FIG. 3

The ring can then be expanded with a pencil or similar object and the spring keeper can be lifted free from the clutch nut. Rotate the keeper clockwise 10 degrees and install on the next serration in the clutch nut. Reinstall O-ring and rotate slightly so that the cut outs are not in line with the lugs on the spring keeper and reinstall the clutch spring into the hole in the base. Adjustment of the clutch more than 10 degrees to 20 degrees should normally not be necessary. With only spring pressure (do not forcibly tighten the clutch mechanism) the spring lug on the spring keeper should come to rest at approximately the 2:30 o'clock position. (See FIG. 4)

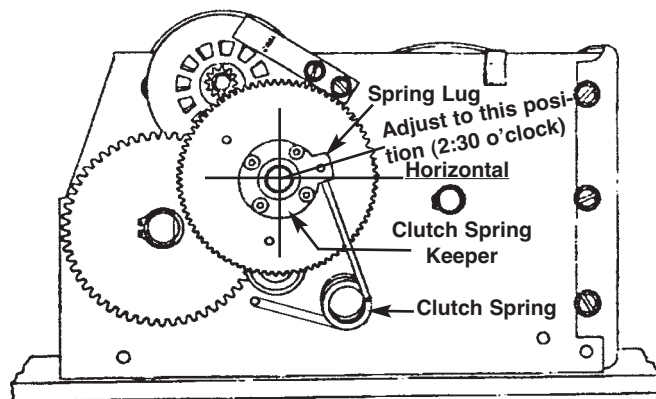
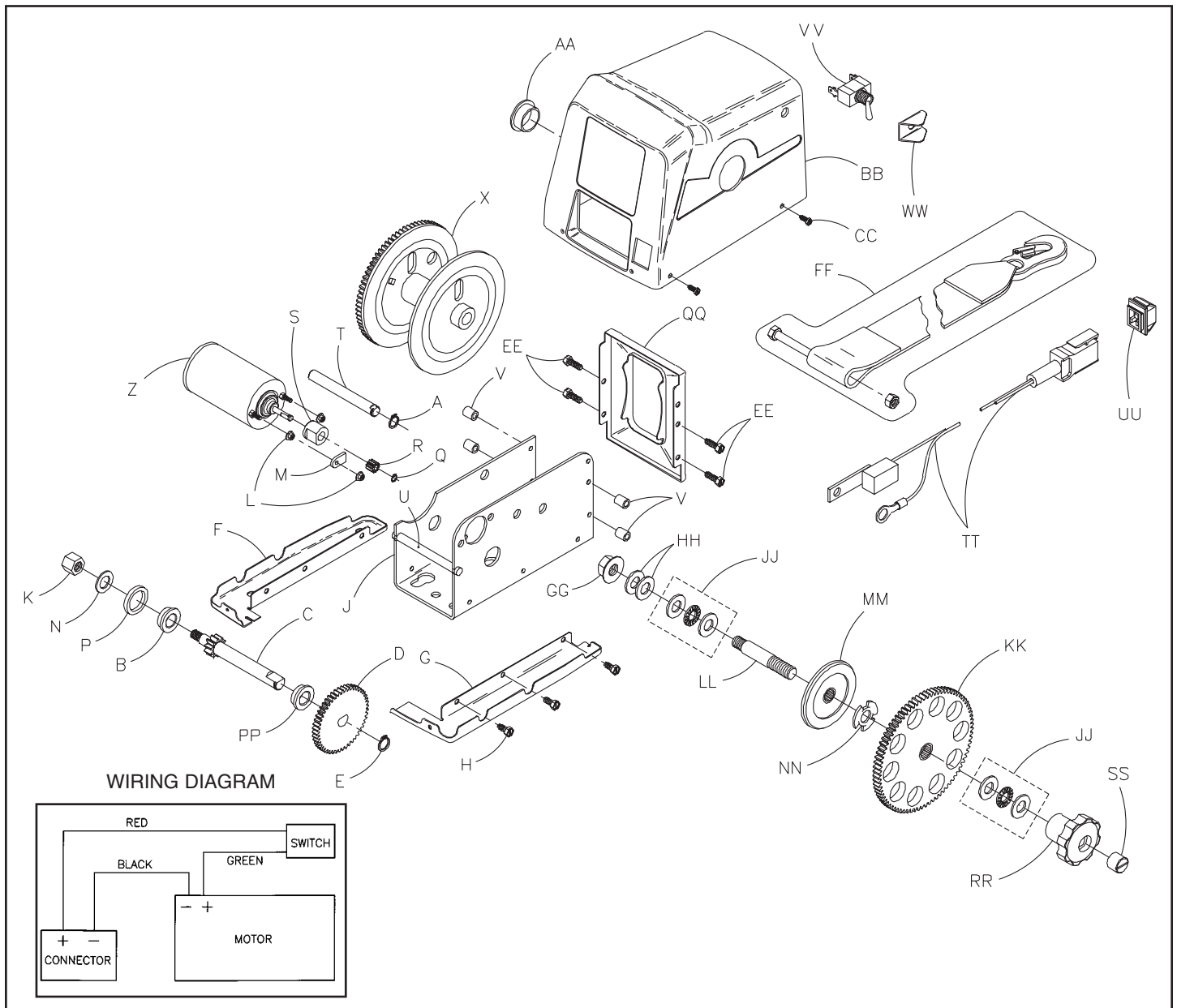


FIG. 4

Clutch Spring Illustration (TW9000)

## TROUBLESHOOTING CHART

SYMPTOM	POSSIBLE CAUSE(S)	CORRECTIVE ACTION
Safety hook spreads	1. Point loading of hook. 2. Load exceeds rated capacity of unit.	1. Replace hook. 2. Lighten load, reduce % of incline or reduce load friction.
Strap breaks	1. Improperly maintained strap. 2. Overloading.	1. See "Maintenance." 2. Reduce load.
Strap folds over (binds up)	Pulling load at too severe of an angle.	Make straighter pulls.
Load creeps when power is OFF	1. Clutch out of adjustment. 2. Roller clutch, not engaging. 3. Overloading.	1. TW4000 - tighten knob. TW9000 - adjust (see Maintenance) 2. Replace. 3. Reduce load.
Winch does not hold load	Strap wound on drum incorrectly.	Strap must be wound over top of drum on TW4000 & under the drum on model TW9000.
Winch motor runs hot	In operation too long.	Let motor cool for at least 20 minutes. (See Winch Rating Section.)
Winch motor fails to run	Electrical.	Check the following: power supply, wiring, control switch, male/female connections, motor and circuit breakers.
Winch motor runs but fails to wind strap	1. Clutch is slipping. 2. Gear train is damaged.	1. Check clutch lining for grease or oil. See "Maintenance" for clutch adjustment procedure. 2. Check entire gear train and replace any damaged parts.
Strap will not pull out (freewheel)	Sticking clutch.	a. "Jog" power switch with clutch in freewheel (No load only). b. Remove cover (see Maintenance) and separate clutch gear from mating gear.
Smokes (TW9000 only)	Normal on initial power down use.	None.



## TW4000 PARTS LIST

Ref. Part	Number	Ref. Part	Number
A Retaining Ring	204468	AA Cover Plug	204713
B Bushing	204006	BB Cover Ass'y	304684
C Drive Shaft Ass'y	304967	CC Mounting Screw (6)	205086
D 56T Gear	204703	EE Screw (4)	205338
E Retaining Ring	205191	FF Strap 2" x 20"	5242607
F Base Shroud - Left	404834	GG Locknut 7/16-20	205192
G Base Shroud - Right	404833	HH Washer (2)	204360
H Screw (6)	205337	JJ Thrust Bearing Replacement Kit	5703194
J Base	404940	KK 120 Tooth Gear Ass'y	304409
K Hex Nut	406002	LL Clutch Stud	404826
L Locknut 10-32 (3)	205193	MM Clutch Gear Ass'y	304305
M Stop	404829	NN Finger Spring Washer	205200
N Washer	205109	PP Bushing	204012
P Washer	203813	QQ Front Plate	404825
Q 'E'-Ring	205135	RR Knob	206243
R Motor Pinion	206228	SS Slotted Nut	404614
S Roller Clutch Ass'y	304698	TT Wiring Harness	5240411
T Reel Shaft	404559	UU Connector	206240
U Base Spacer	404557	VV Toggle Switch	206249
V Spacer (4)	404822	WW Toggle Switch Guard	404831
X Reel Ass'y	304858		
Z Motor	304695		

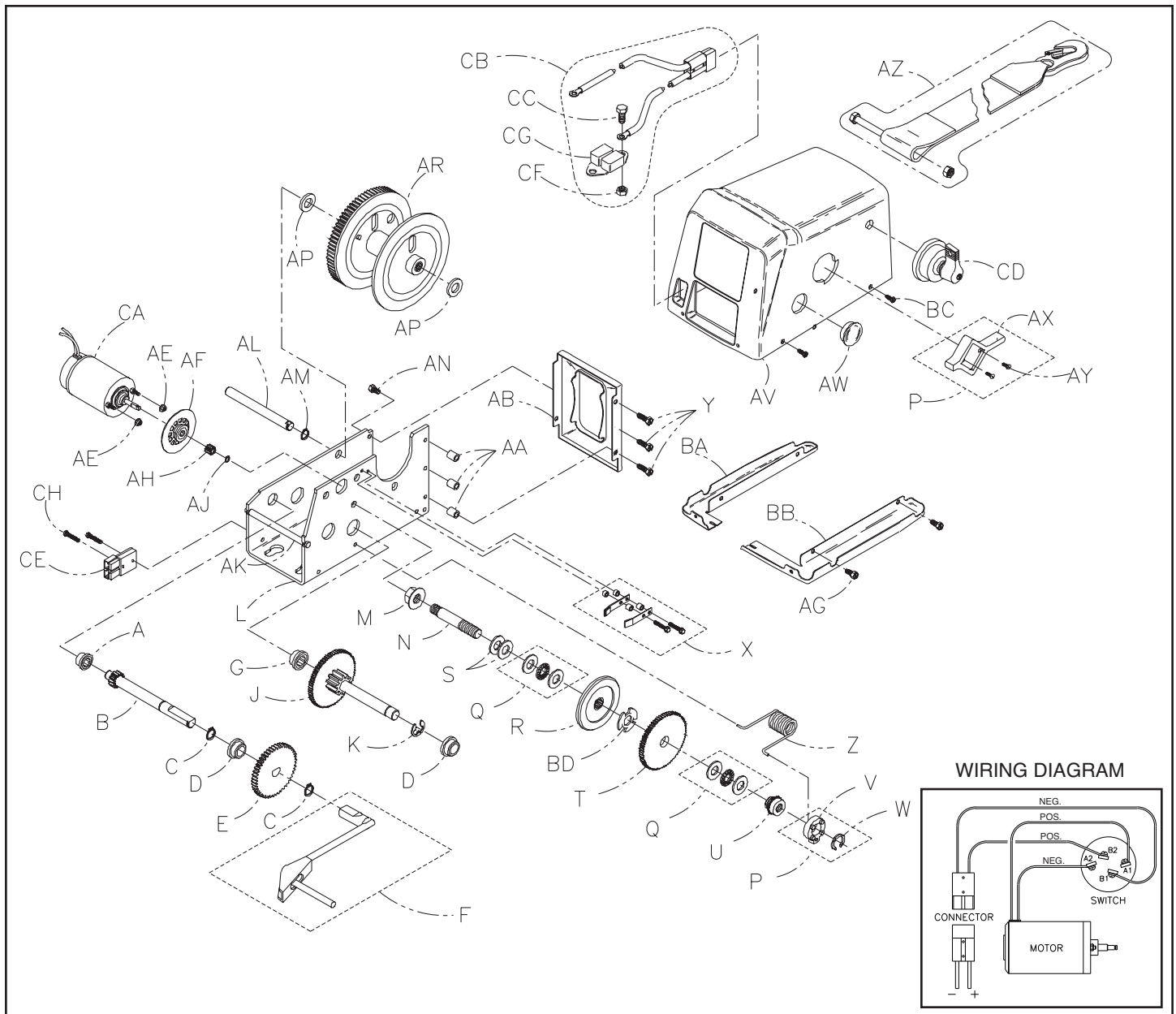
To order replacement parts contact:

**Dutton-Lainson Company**

www.dlco.com  
 Tel: 800-569-6577  
 Fax: 402-460-4612  
 e-mail: DLsales@dutton-lainson.com

**In Europe Contact:**

**Aqua-Marine International Ltd.**  
 8 Flanders Park  
 Hedge End, Southampton  
 Hants, England SO30 2FZ  
 Tel: +44 (0) 1489-776050  
 Fax: +44 (0) 1489-776055  
 e-mail: sales@aqua-marineint.co.uk



# TW9000 PARTS LIST

Ref. Part	Number	Ref. Part	Number	MOTOR PARTS	
A Bearing Housing Assy.	304314	Y Screw, 1/4-20x7/8" (3)	205242	CA Motor Assy	304742
B Primary Drive Shaft Assy.	304304	Z Clutch Spring	204711	CB Connector Ass'y	5241518
C Retaining Ring (2)	205191	AA Spacer (3)	404513	CC Screw - 1/4x20x3/8	205018
D Bushing (2)	204012	AB Front Plate	404495	CD Switch	404888
E 56T Gear	204703	AE Nut, 10-32 Locknut (2)	205193	CE Connector	206055
F Aux. Handle Assy.	5703079	AF Brake Disc Assy.	304422	CF Nut - 1/4-20	206225
G Drive Shaft Bushing	304313	AG Screw, 1/4-20x3/8" (4)	205337	CG Circuit Breaker Assy	304025
Housing Assy.		AH 12T Pinion Gear	404522	CH Screw, 6-32x7/8" (2)	204959
J Interm. Drive Shaft Assy.	304814	AJ "E" Ring	205135		
K "E" Ring	205116	AK Base Spacer	404510		
L Base	404932	AL Reel Shaft	404514		
M Nut, 7/16-20 Locknut	205192	AM Retaining Ring	204468		
N Clutch Stud	404517	AN Screw, 1/4x20x1/2" (2)	205189		
P Clutch Handle Replacement Kit	5703178	AP Washer (2)	205109		
(Includes Items V, W, AX & AY)		AR Reel Assy.	304815		
Q Thrust Bearing Replacement Kit	5703194	AV Cover Assy.	304748		
(Includes Item W, O-Ring)		AW Cover Plug	204713		
R Clutch Gear Assy.	304305	AX Clutch Handle	204712		
S Washer (2)	204360	AY Screw - #4x1/2	205196		
T 84T Gear Assy.	304311	AZ Strap (2" x 20')	5242516		
U Clutch Handle Nut	404518	BA Base Shroud - LF	404866		
V Clutch Spring Keeper	204721	BB Base Shroud - RT	404865		
W "O"-Ring	204770	BC Screw (6)	205086		
X Brake Spring Replacement Kit	5703160	BD Finger Spring Washer	205200		

To order replacement parts contact:

**Dutton-Lainson Company**  
 www.dlco.com  
 Tel: 800-569-6577  
 Fax: 402-460-4612  
 e-mail: DLsales@dutton-lainson.com

**In Europe Contact:**  
**Aqua-Marine International Ltd.**  
 8 Flanders Park  
 Hedge End, Southampton  
 Hants, England SO30 2FZ  
 Tel: +44 (0) 1489-776050  
 Fax: +44 (0) 1489-776055  
 e-mail: sales@aqua-marineint.co.uk

# ELECTRIC WINCH SERVICE CENTERS



## FLORIDA

Hagood Brothers Marine  
1121 West Church St.  
Orlando, FL 32805  
Tel: 407-843-4220

## INDIANA

RG Shamory Enterprises  
55625 Currant Road  
Mishawaka, IN 46545  
Tel: 219-255-5050

## NEBRASKA

Dutton-Lainson Company  
1601 West 2nd  
Hastings, NE 68902  
Tel: 402-462-4141

## OKLAHOMA

Tow Dolly Enterprises  
1520 S. Memorial Drive  
Tulsa, OK 74112  
Tel: 918-627-4777

These authorized centers will be able to supply parts and technical service on all StrongArm® Electric Winches  
For warranty claims follow instruction given in "Limited One Year Warranty."

### EC DECLARATION OF CONFORMITY

Dutton-Lainson Company, Hastings, NE 68902-0729 U.S.A. manufactures and declares that this winch is in conformity with the essential health and safety requirements specified in The Supply of Machinery (Safety) Regulations 1992 and the provisions of the Machinery Directive (89/392/EEC). This declaration does not apply to other machinery using this winch.

*Ron Hease*

### NOTES

WINCH MODEL NUMBER: \_\_\_\_\_ WINCH DATE CODE: \_\_\_\_\_

DATE PURCHASED: \_\_\_\_\_ (LOCATED INSIDE FRAME AT REAR)

---

---

---

---

---

---

---

---