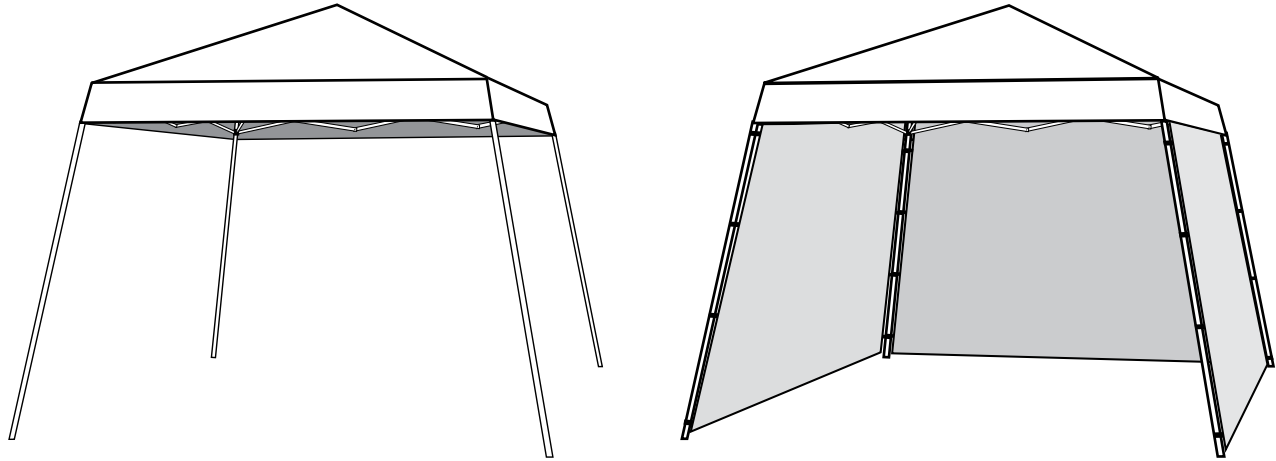


Canopy Factory™ Sport Series™

2-in-1 Slant Leg Pop-Up Canopy with 3-wall kit

Assembly Instructions



DESCRIPTION	MODEL #
10'x10' Slant Leg PopUp Canopy with 3-wall kit - Blue	22609

Please read instructions **COMPLETELY** before assembly.
THIS IS A SHADE PRODUCT AND NOT RECOMMENDED AS A PERMANENT STRUCTURE.

Before you start: 2+ individual recommended for assembly, approximate time 15 min.

CANOPY
FACTORY™

1-800-524-9970

Canada:
1-800-559-6175

Please read instructions COMPLETELY before assembly.

**DO NOT RETURN PRODUCT TO THE STORE
CALL Customer Service:**

1-800-524-9970

ATTENTION:

The canopy is classified as a temporary fabric covered shelter designed primarily for seasonal shade. It is not snow or wind load rated and not recommended as a permanent structure. The canopy must be properly and securely anchored.

WARNING:

Prior to installation, consult with all local and municipal codes regarding the installation of temporary shelters. Choose the location of your shelter carefully. Check for overhead utility lines, tree branches or other structures. DO NOT install near roof lines or other structures that could shed snow, ice or excessive run off onto your shelter. DO NOT hang objects from the roof or support cables. Do not smoke or use open flame devices in or around the shelter. DO NOT store flammable liquids (gasoline, kerosene, propane, etc.) in your shelter. Do not expose top or sides of the shelter to open fire or other flame source. DO NOT use grills, fire pits, deep fryers or smokers inside the shelter. DO NOT use hard-edged tools or instruments like rakes or shovels to remove snow. This could result in punctures to the cover.

CAUTION:

Use CAUTION when assembling this unit. Be aware of unsecured overhead poles. Our canopies are designed to offer protection from damage caused by the sun, light rain, tree sap, bird and animal excrement, and light snow. **It is not designed to hold loads from high winds, heavy snow or ice storms.**

CARE AND CLEANING:

A tight cover will ensure longer life and performance. Always maintain a tight cover. Loose fabric can accelerate deterioration of cover. DO NOT use "Protect and Shine", bleach or harsh abrasive products to clean the fabric cover. Cover can be easily cleaned with mild soap and water.

THIS IS A TEMPORARY STRUCTURE AND NOT RECOMMENDED AS A PERMANENT STRUCTURE.

90 Day Limited Warranty

ShelterLogic®, LLC warrants to the Original Purchaser that the product and all parts are free from manufacturer's defects for a period of:

90 Day For Fabric and Framework

Warranty Period is determined by date of shipment from ShelterLogic®, LLC for factory direct purchases or date of purchase from an authorized reseller.

Please save a copy of your purchase receipt.

Questions - Claims? Call Customer Service: 1-800-524-9970 / International: 001-860-945-6442 Canada: 1-800-559-6175

If this product or any associated parts are found to be defective or missing at the time of receipt, ShelterLogic®, LLC will repair or replace, at it's option, the defective parts at no charge to the original purchaser. Replacement parts or repaired parts shall be covered for the remainder of the Original Limited Warranty Period.

- All shipping costs will be the responsibility of the customer. Parts and replacements will be sent C.O.D.
- You must save the original packaging materials for shipment back.
- If you purchased from a local dealer, all claims must have a copy of original receipt.

WHAT IS NOT COVERED BY THIS LIMITED WARRANTY:

- Damage that occurs during shipping.
- Shelter that has been subjected to abuse, accident, alteration, modification, tampering, vandalism, negligence, misuse, abrasive contact, faulty installation, lack of reasonable care or if affixed to any attachment not provided with the shelter.
- Damage to the contents of canopy, any person or property is excluded.
- Normal and foreseeable wear and tear.
- Wear of fabric due to improper installation of cover.
- Damage that occurs due to acts of nature, ie. hurricane, tornado, wind, flood, snow, wind driven debris, etc.
- Third party labor or installation fees of any kind are not recoverable under the warranty.
- Customer is responsible for all zoning issues and permits if required.
- Product not installed according to instructions provided.

All other warranties, expressed or implied, including the implied warranties of merchantability and fitness for a particular purpose, are excluded. The purchaser must notify ShelterLogic®, LLC of any defects either by calling the Consumer Support Hotline 800-524-9970 or by writing to: ShelterLogic®, LLC Warranty Claim Dept. 150 Callender Road, Watertown, CT 06795.

Step 1:

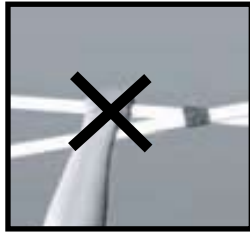
Remove assembly from portable storage bag. Grab corner legs in each hand. Lift frame slightly off ground. Stepping backwards, pull frame apart until your arms are fully extended.

**Step 2:**

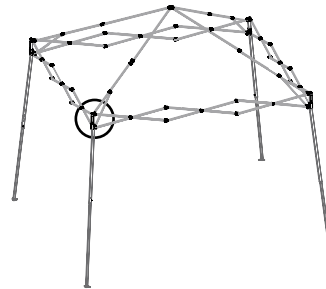
Unfold cover. Place cover over frame. Align corner pockets of cover over frame legs.

**Step 3:**

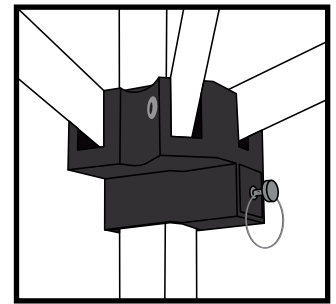
Do not place hands between frame tubes. Pull out until canopy is fully opened.

**Step 4:**

Slide corner brackets up until pin snaps into place.



Shown without cover for clarity

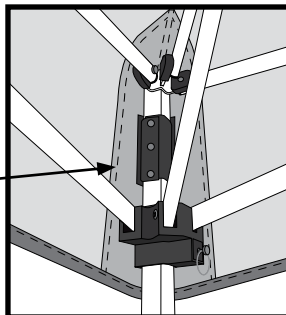
**Step 5:**

Pull corners down snug, attaching hook and loop fasteners. Secure hook and loop fasteners around top roof frame.

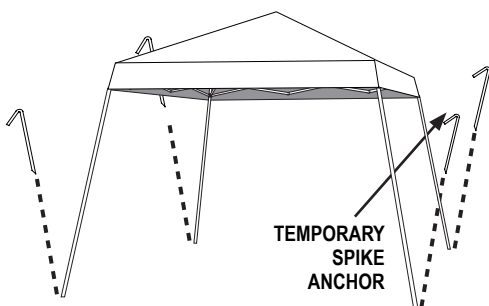


CORNER OF SHELTER

HOOK AND LOOP FASTENERS

**Step 6:**

Slide legs to desired position height, making sure pins snap into place.

**Step 7:**

TEMPORARY SPIKE ANCHOR

For temporary anchoring of canopy on grass, dirt or packed soil, insert temporary spike anchors through corner feet.

CAUTION: Temporary spike anchors are NOT designed for permanent installation. Never leave canopy unattended.

For all **CANOPY FACTORY™** straight leg Pop-Ups, legs should be square and straight when temporary spike anchors are inserted through corner feet.

For assembly questions, Please call Customer Support: **1-800-524-9970** or in CANADA: **1-800-559-6175**

10' x 10' Pop-Up 2-in-1™ Wall Kit Assembly Instructions

STEP 1:
Pull up cover at each corner.

Fig. 1

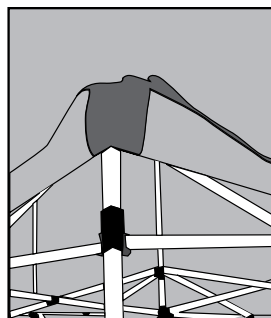


Fig. 1

STEP 2:
Starting at the corner, wrap hook-and-loop fasteners around upper portions of the "X" tube frame.

Fig. 2

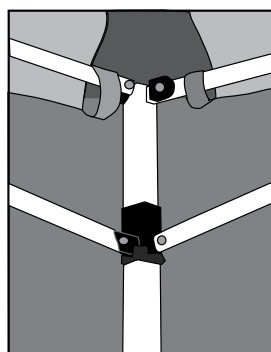


Fig. 2

STEP 3:
Continue attaching wall panel across the top of the frame.

Fig. 3

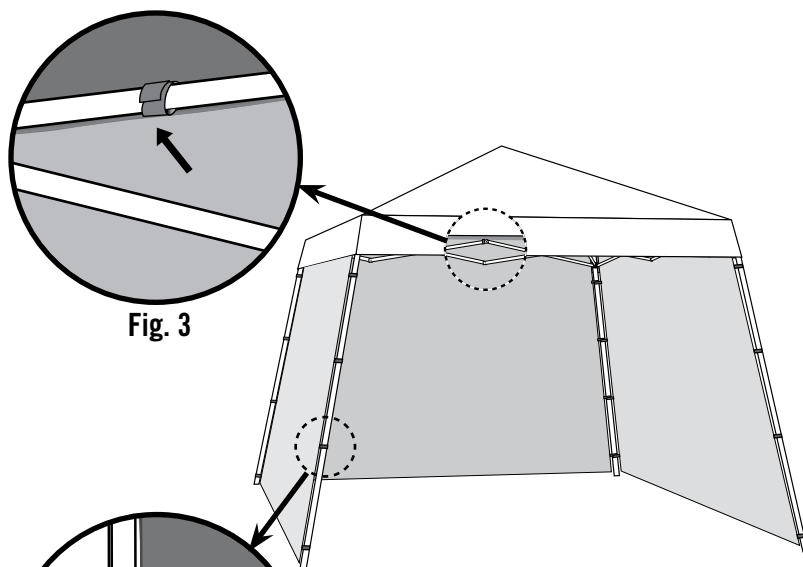


Fig. 3

STEP 4:
Wrap hook-and-loop fasteners on the sides of the walls to the canopy legs.

Fig. 4

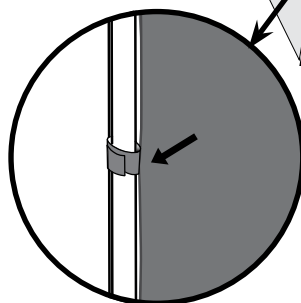


Fig. 4