

Quick Start Guide

Thank you

FOR JOINING THE
POWERHOUSE FAMILY

Please review this Quick Start Guide to begin using your generator.
To fully understand and safely operate this product, please review the
warnings and complete detailed instructions in the Owner's Manual.



**Please refer to the Owner's Manual
when you see this icon for important
details and additional information.**



Use outdoors only

PRODUCES CARBON MONOXIDE —
CAN CAUSE DEATH OR SERIOUS INJURY



Avoid water

KEEP AWAY FROM RAIN, SNOW
AND OTHER WET CONDITIONS



Flammable

KEEP AWAY FROM SMOKING MATERIALS,
SPARKS & SOURCES OF COMBUSTION WHEN REFUELING



In emergency

PUSH THE STOP BUTTON TO STOP THE ENGINE —
WITH OR WITHOUT A LOAD



Keep level

ALWAYS OPERATE
ON A LEVEL SURFACE



High altitudes/ Extreme temperatures

REFER TO THE OWNER'S MANUAL FOR SPECIFIC RECOMMENDATIONS



Battery safety

REFER TO THE OWNER'S MANUAL FOR
MAINTENANCE AND SAFETY RECOMMENDATIONS



Voltage switching

REMOVE ALL LOADS BEFORE SELECTING
A DIFFERENT VOLTAGE



Lock folding handles

WHEN USING THE FOLDING HANDLES TO MOVE THE GENERATOR,
LOCK THEM WITH THE LOCK KNOB OR DAMAGE MAY RESULT



Break-in period

FOR BREAK-IN PERIOD, SEE PAGE 33
IN THE OWNER'S MANUAL



PH6500Ri

Inverter Generator

What you need to Get started



Oil (37.2 fl oz of 15W-40)
Use 0W-40 in very cold weather



Gasoline (5.8 gal.)



Funnel



Phillips screwdriver



Battery charger

If you do not have a charger we recommend
the Powerhouse® TC2-P charger (#19674)

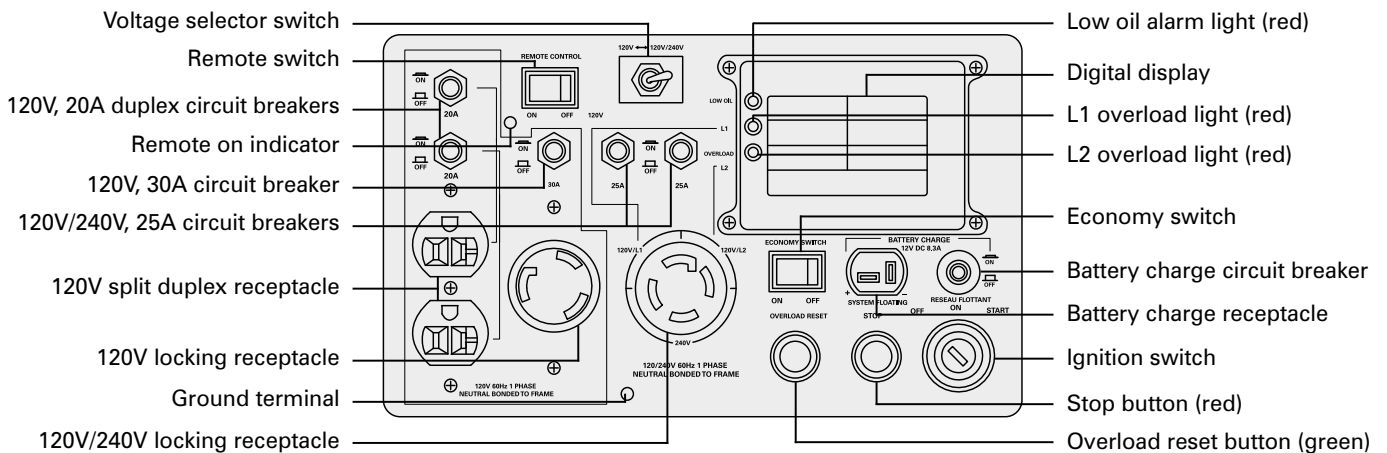
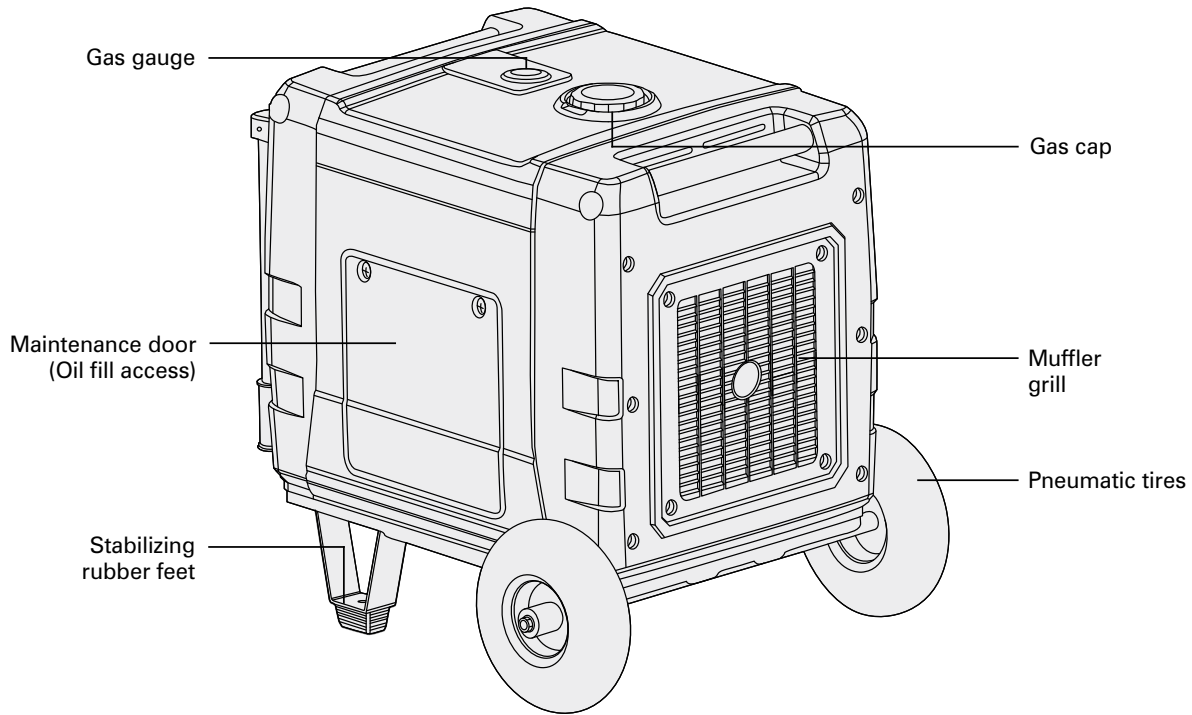
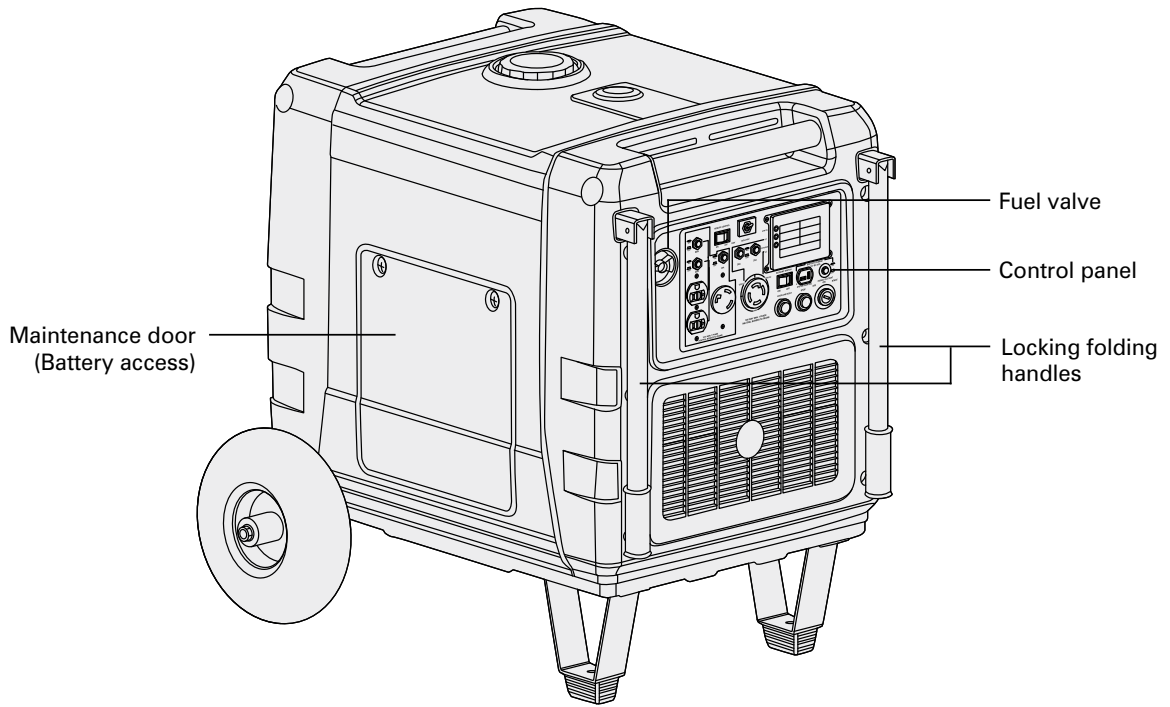
Box Contents

1. PH6500Ri generator
2. Oil jug
3. 2 keys
4. 2 remotes
5. Spare fuse
6. Spark plug wrench
7. Screwdriver
8. Spare spark plug
9. Battery charge kit
10. Owner's manual

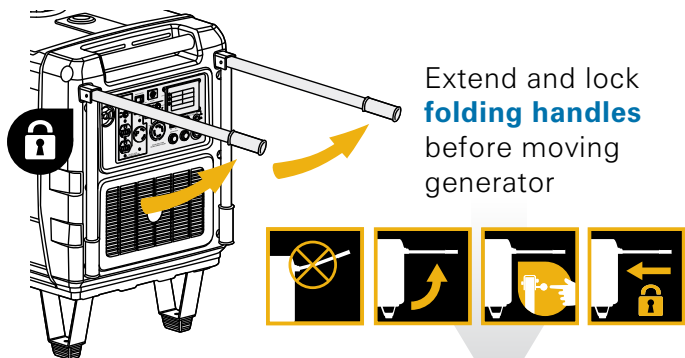


Please take a few moments to register your unit at www.powerhouse-products.com/register.

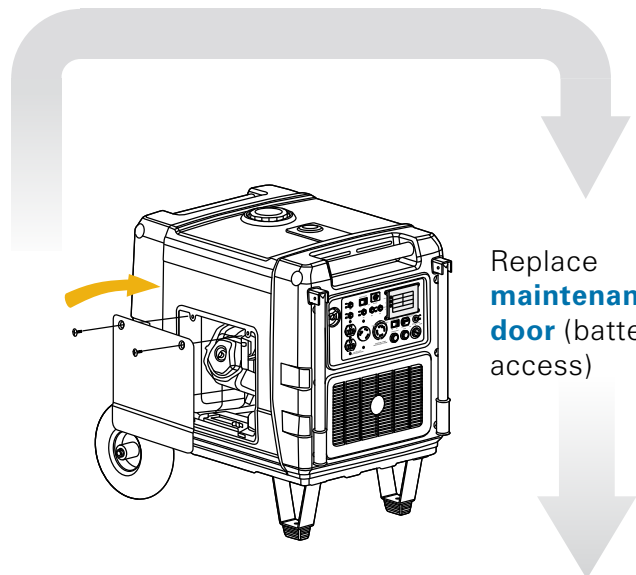
If you have a problem with this generator, do not return it to the store where you purchased it. For warranty support call 877-544-4449, 8am to 6pm ET, or email us at warranty@powerhouse-products.com.



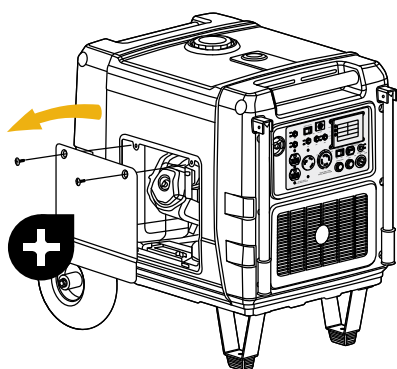
Initial setup



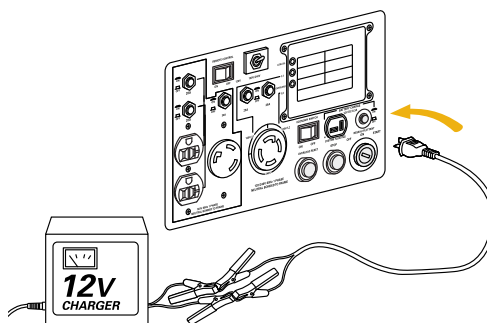
Extend and lock **folding handles** before moving generator



Replace **maintenance door** (battery access)

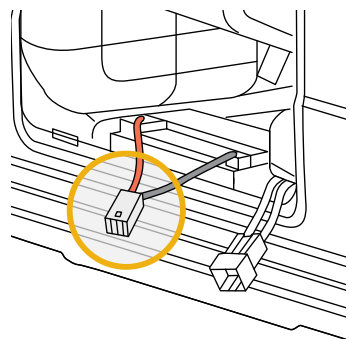


Remove **maintenance door** (battery access)

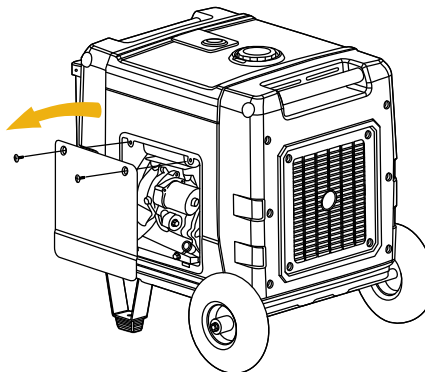


Connect **battery charger** to **DC receptacle**

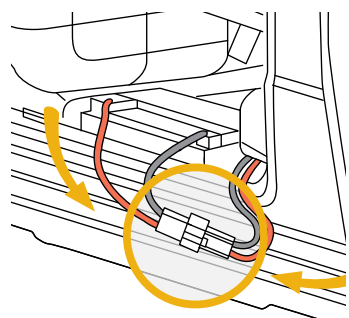
Charge the battery for 3 hours or until fully charged



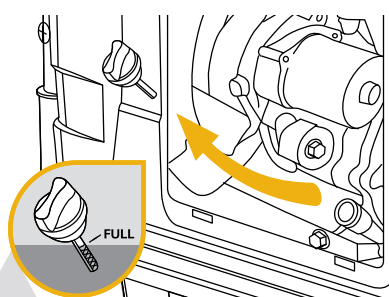
Locate **battery wiring harness**



Remove **maintenance door** (oil fill access)



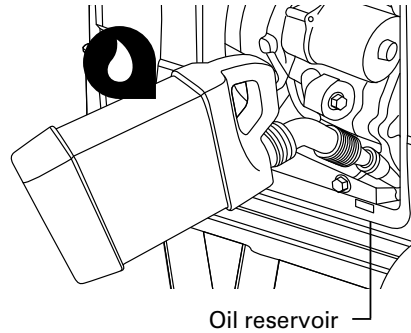
Connect **battery wiring harness** to **main wiring harness**



Remove **dipstick**

(continued)

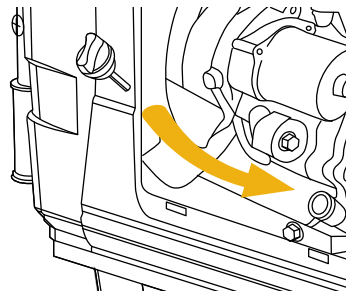
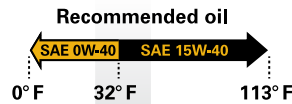
Initial setup (continued)



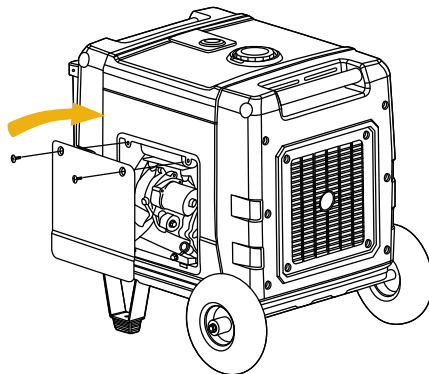
Add **oil**



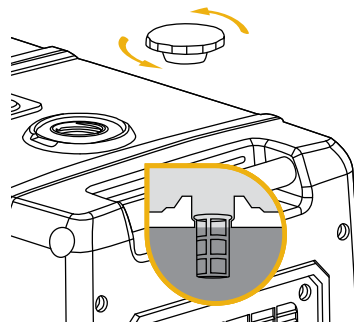
Add 37.2 oz. (1.1 L) of oil or fill to full mark on dipstick



Replace **dipstick**



Replace **maintenance door** (oil fill access)



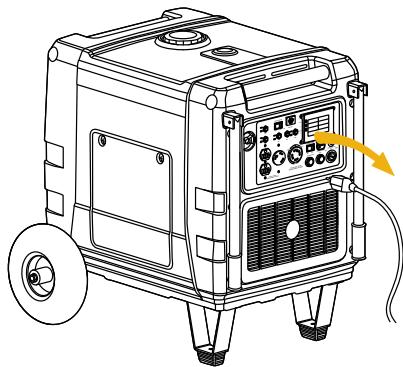
Add **gasoline**



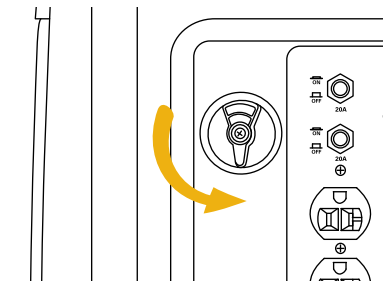
Use gasoline with an octane rating of 87 or higher



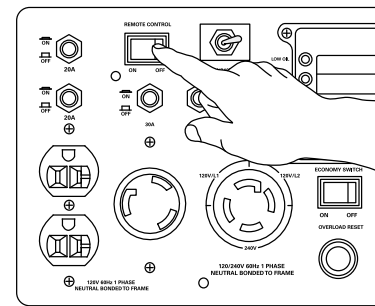
Operation



Disconnect appliances

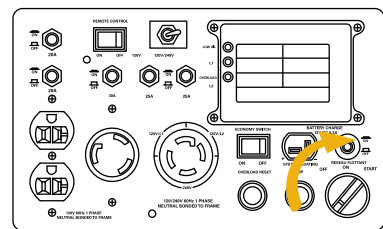


Open fuel valve



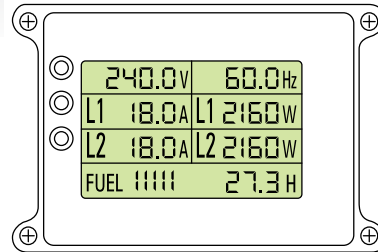
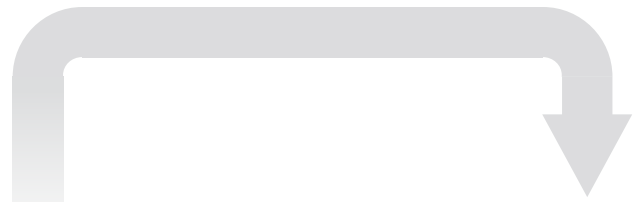
Turn remote switch off

For remote system instructions, refer to page 18 of the owner's manual



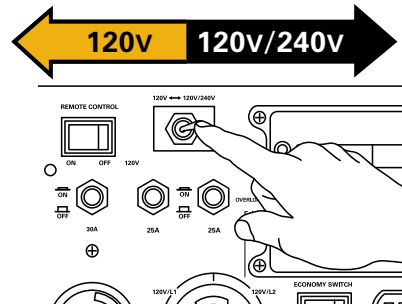
Turn key to start

For additional starting options refer to pages 17-18 of the owner's manual



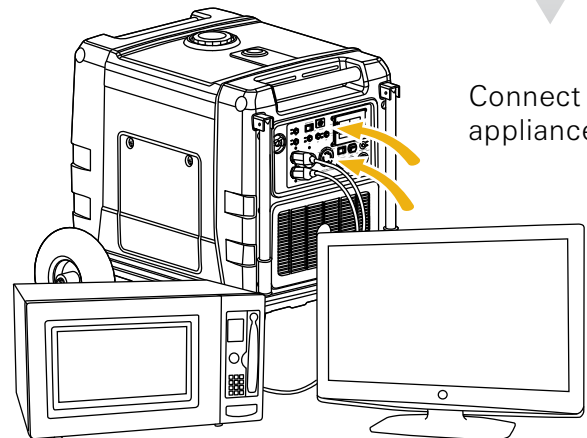
Digital display indicates generator is ready

Display illuminates and displays data when generator is ready for use



Select voltage with voltage selector switch

Switching the voltage while a load is connected may burn out the voltage selector switch



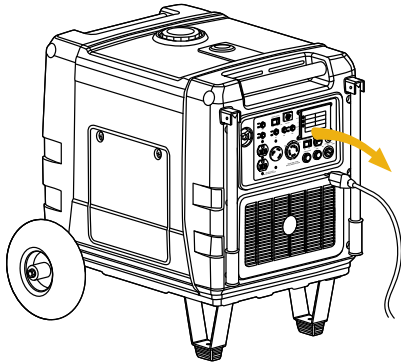
Connect appliances



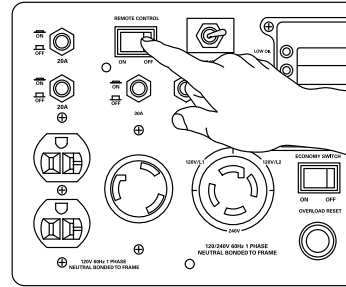
Break-in period -- For maximum performance, run your generator at no more than 50% of the rated load of the generator for 4 hours before you apply a full load for the first time



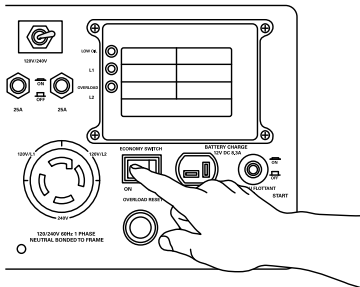
Shutdown



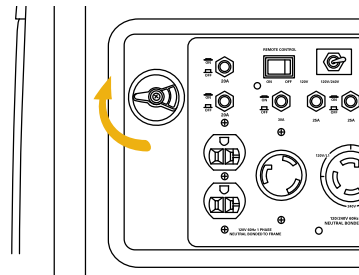
Disconnect appliances



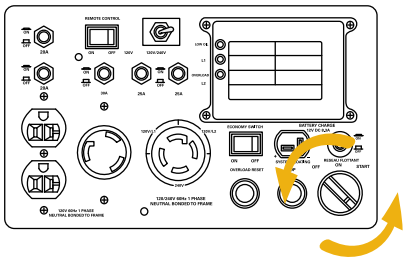
Turn **remote switch** off



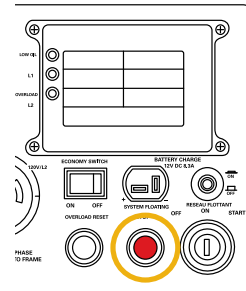
Turn **economy switch** on



Close **fuel valve**



Turn **key** off



!
In emergency
push and hold the
STOP button until
the engine is off