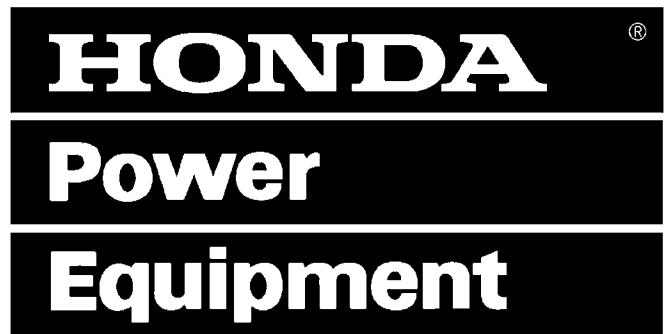


General Purpose Engine

**GX630R • GX660R
GX690R**



Parts Catalog

FIRST EDITION

JUNE, 2009

American Honda Motor Co., Inc.

10Z9EA01P (Paper Version)

TABLE OF CONTENTS

Introduction

Grid / Page

- HOW TO USE THIS CATALOG A2 4
- SERIAL NUMBERS A3 6
- BULK HOSE PART NUMBER PATTERN..... A3 7
- MASTER INDEX A4 8

Part Groups

- ENGINE SECTION 1-C1 1-1

Index

- PART NUMBER INDEX B1 2-1
- DESCRIPTION INDEX 1-F1 3-1

HOW TO USE THIS CATALOG

CATALOG/CATALOGUE PAGE BREAKDOWN (Generic layout-sample data only)

MODEL		TYPE		Engine Serial Number		ORG	QTY	Part Number	H/C
A = MODEL	a=TYPE			From	To				
B = MODEL	b=TYPE								
C = MODEL	c=TYPE								
1	COVER SET, CYLINDER HEAD	4	b	15240057	-----	JPN	1	12310-PE2-020	2031797
	COVER SET, CYLINDER HEAD			-----	12234811	USA	1	12310-PE2-030	2210888

KEY TO CATALOG/CATALOGUE PAGE BREAKDOWN

1. **Ref** - Reference numbers correspond to the reference numbers on the illustrations. All illustrations are representative only, and do not necessarily look exactly like the actual part. "NI" signifies the part is not illustrated. Reference numbers may be skipped when they apply to other models.

2. **Description*** - Describes the part for the related part number.

Abbreviations:

ASSY. - Assembly	A.C. - Alternating Current
L(100L) - Link(100Links)	D.C. - Direct Current
R. - Right	KPH - Kilometers Per Hour
L. - Left	MPH - Miles Per Hour
IN. - Inlet	A.M. - Attaching Mark
EX. - Exhaust	T.M. - Transcript Mark
FR. - Front	A - Ampere
RR. - Rear	WL - With Labeling
HEX. - Hexagonal	WOL - Without Labeling
STD. - Standard	T (22T) - Tooth
MM - Millimeter	C.D.I. - Capacitive Discharge Ignition
G - Gram	G.F.C.I. - Ground Fault Circuit Interruptor
V - Volt	
W - Watt	

3. **Mod*** - Model alpha labeling is unique per catalog/catalogue (not consistent with other catalogs/catalogues).

4. Each model and type in the catalog/catalogue is represented by an alpha label.

5. **Serial Number** - Applies to Engine or Frame serial numbers depending on the section. The serial numbers of a unit (frame, engine, carburetor) should be checked prior to ordering parts for the unit. In cases where a part has been modified, the beginning and/or ending serial number of the unit bearing the modification is listed in the "SERIAL NUMBER" column. Modification parts can be controlled by three types of numbers as described below.

Engine serial number - Engine group parts (Block numbers beginning with "E").

Carburetor identification number - Carburetor component parts.

Frame serial number - Frame group parts (Block numbers beginning with "F").

Note 1 - A modification that does not follow the pattern above will be clarified by a comment located below the part description. A serial number chart and a guide to serial number locations are provided in the front portion of the catalog/catalogue.

Note 2 - Although most models will be identified by Engine and Frame serial numbers, some models may be identified by one serial number only - either Engine serial number or Frame serial number.

6. **Type*** - Model Type is defined in the serial number chart.

7. **ORG*** - Manufacturing country of origin of the unit.

8. **QTY** - Quantity required for the specified Block/Section.

A. "AR" in place of the quantity indicates AS REQUIRED.

B. "(" Parentheses in the quantity indicate "optional".

9. **Part Number** - Part number corresponds to the reference number and application. Several part numbers may be listed under one (1) reference number.

Note: For U.S. only - For your convenience the current supersede chain, as of print date, has been listed. Supersede chains are subject to change without notice.

10. **H/C** - The Honda Code and Part Number share a 1 to 1 relationship (U.S.A. only).

11. The Block Number identifies the catalog/catalogue section.

CONSTRUCTION OF PART NUMBERS

All parts are classified into two groups, "GENERAL PARTS" and "STANDARD PARTS". All parts are numbered according to the system described below:

General Parts

Example: Driver Seat Assembly Part No. 77400-634-671ZA
 Function No. 77
 Component No. 400
 Model Code No. -634-
 Modification Process Design 671
 Color/colour Indicator** ZA

Standard Parts

Example: 8 x 18 Hex. bolt Part No. 92000-08018-0A
 Function No. 92000
 Dimensions -08018-
 ISO Standard Designation 0
 Chemical Surface Treatment A

**The color/colour indicator at the end of a part number signifies a color/colour. These color/colour indicators such as ZA, ZB, ZC . . . , except ZZ, do not identify the actual color/colour. Actual colors/colours are identified by a code that appears between asterisks in the part description.

Additional Information - The section index located at the bottom of each microfiche grid lists section titles. The Engine and Frame sections have separate section indexes.

Some Block Titles are numbered, such as Air Cleaner (1), Air Cleaner (3), Muffler (2) or Muffler (4), etc. These may skip numbers when some blocks apply in other volumes of the same model(s).

*When columns become full, additional data is displayed on a second line.

This page intentionally left blank.

SERIAL NUMBERS

Models and applicable serial numbers

Models and applicable serial numbers given in this parts catalog can be identified as follows.

Model	Type	Applicable Engine Serial No.	Applicable Frame Serial No.	Applicable Carburetor Identification
GX630R	QAB	GCBEK-1000001~	_____	_____
GX630R	QAF1	GCBEK-1000001~	_____	_____
GX630R	QDF2	GCBEK-1000001~	_____	_____
GX630R	QDW	GCBEK-1000001~	_____	_____
GX630R	QXB1	GCBEK-1000001~	_____	_____
GX630R	QXC2	GCBEK-1000001~	_____	_____
GX630R	QXF6	GCBEK-1000001~	_____	_____
GX630R	QZB2	GCBEK-1000001~	_____	_____
GX630R	QZB3	GCBEK-1000001~	_____	_____
GX630R	VXA1	GCBEK-1000001~	_____	_____
GX660R	BAF	GCBFK-1000001~	_____	_____
GX660R	BDW	GCBFK-1000001~	_____	_____
GX660R	BXF	GCBFK-1000001~	_____	_____
GX660R	TAF	GCBFK-1000001~	_____	_____
GX660R	TDW	GCBFK-1000001~	_____	_____
GX660R	TXA2	GCBFK-1000001~	_____	_____
GX660R	TXF7	GCBFK-1000001~	_____	_____
GX690R	BAF	GCBGK-1000001~	_____	_____
GX690R	BDW	GCBGK-1000001~	_____	_____
GX690R	BXF	GCBGK-1000001~	_____	_____
GX690R	TAF	GCBGK-1000001~	_____	_____
GX690R	TDW	GCBGK-1000001~	_____	_____
GX690R	TXA2	GCBGK-1000001~	_____	_____
GX690R	TXF7	GCBGK-1000001~	_____	_____

BULK HOSE PART NUMBER PATTERN

Construction of Fuel and Vacuum Hose Part Number

Example: 9 5 0 0 1 - 7 5 0 0 1 - 4 0 M

Roll Hose

All roll hose part numbers have an "M" in this position

Appearance Code

Fuel Hose:

- 2 = Red, braided exterior
- 3 = Red
- 4 = Ash Gray with red stripe
- 5 = Black, braided interior
- 6 = Black

Vinyl Hose:

- 1 = Ash Gray
- 2 = Black
- 3 = Light Red
- 6 = Light Red
- 7 = Pale Black

Vacuum Hose:

- 1 = Ash Gray
- 2 = Ash Gray
- 3 = Black
- 5 = Black

Length

Cut Hose length is in *Millimeters (mm)*

Bulk Hose length is in *Meters (M)*

Inside Diameter

Fuel and Vacuum Hose

- | | |
|-----------------------|------------------------------|
| 35 = 3.5 mm | 11 = 11 mm |
| 45 = 4.5 mm | 91 = 12 (outside dia. 15) mm |
| 50 = 5.0 mm | 92 = 12 (outside dia. 16) mm |
| 55 = 5.3 mm or 5.5 mm | 12 = 12 (outside dia. 17) mm |
| 65 = 6.5 mm | 14 = 14 mm |
| 70 = 7.0 mm | 17 = 17 mm |
| 75 = 7.3 mm or 7.5 mm | |
| 80 = 8.0 mm | |

ID./OD. Code : Vinyl Hose

- | | | |
|--------------------------|----------------------------|----------------------------|
| 01 = ID. 2.9, OD. 6.8 mm | 14 = ID. 6.0, OD. 9.0 mm | 37 = ID. 11.0, OD. 15.0 mm |
| 03 = ID. 3.0, OD. 6.0 mm | 17 = ID. 7.0, OD. 9.0 mm | 38 = ID. 12.0, OD. 13.0 mm |
| 05 = ID. 3.5, OD. 6.5 mm | 19 = ID. 7.0, OD. 11.0 mm | 39 = ID. 12.0, OD. 14.0 mm |
| 07 = ID. 4.0, OD. 7.0 mm | 21 = ID. 8.0, OD. 9.0 mm | 40 = ID. 12.0, OD. 16.0 mm |
| 08 = ID. 4.5, OD. 6.5 mm | 23 = ID. 8.0, OD. 12.0 mm | 43 = ID. 13.0, OD. 15.0 mm |
| 09 = ID. 4.5, OD. 8.0 mm | 25 = ID. 9.0, OD. 11.0 mm | 45 = ID. 14.0, OD. 18.0 mm |
| 12 = ID. 5.0, OD. 7.0 mm | 27 = ID. 9.0, OD. 13.0 mm | 50 = ID. 16.0, OD. 19.0 mm |
| 10 = ID. 5.0, OD. 8.0 mm | 33 = ID. 10.0, OD. 14.0 mm | 55 = ID. 17.5, OD. 20.5 mm |
| 11 = ID. 5.0, OD. 9.0 mm | 36 = ID. 11.0, OD. 13.0 mm | 60 = ID. 22.0, OD. 27.0 mm |

Hose Type:

- 1 = Fuel Hose
- 3 = Vinyl Hose
- 5 = Vacuum Hose

CAUTION: Never use vacuum / or vinyl hose in place of fuel hose or vice versa

MASTER INDEX

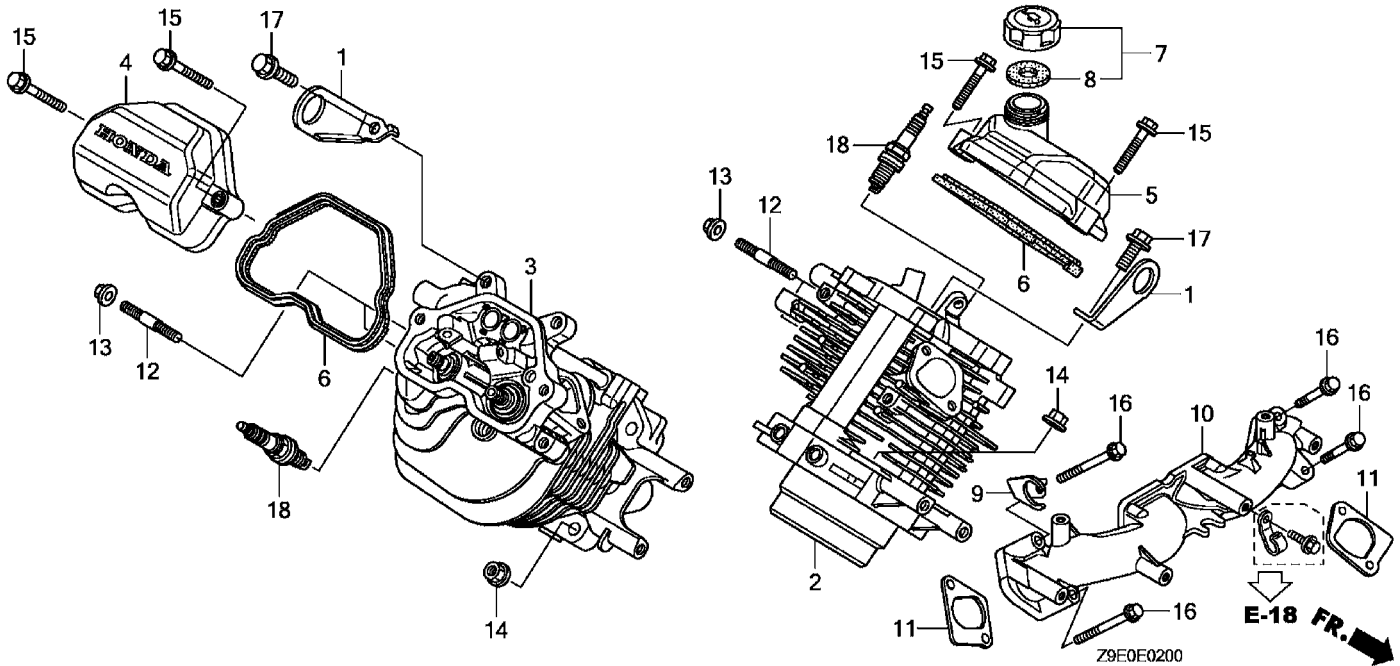
Title	Grid	Page	Title	Grid	Page
ENGINE SECTION					
CYLINDER HEAD	1-C1	1-2			
CRANKCASE	1-C2	1-4			
CRANKCASE COVER	1-C3	1-6			
CRANKSHAFT	1-C4	1-9			
PISTON	1-C5	1-10			
CAMSHAFT	1-C5	1-11			
FAN COVER	1-C6	1-13			
CARBURETOR	1-C7	1-15			
AIR CLEANER	1-D1	1-18			
FUEL PUMP	1-D2	1-20			
FLYWHEEL	1-D3	1-22			
IGNITION COIL	1-D3	1-23			
STARTER MOTOR	1-D4	1-25			
CONTROL	1-D5	1-27			
CONTROL BOX	1-D7	1-30			
LABEL • TOOL	1-D8	1-32			
OTHER PARTS (FUEL PUMP) (REGULATOR RECTIFIER)	1-D8	1-33			
OTHER PARTS (LABEL)	1-E1	1-35			
MUFFLER (HIGH-R.)	1-E2	1-36			
MUFFLER (HIGH-L.)	1-E3	1-38			

ENGINE SECTION

Chapter Table of Contents

Page Title	Grid	Page
CYLINDER HEAD	1-C1	1-2
CRANKCASE	1-C2	1-4
CRANKCASE COVER	1-C3	1-6
CRANKSHAFT	1-C4	1-9
PISTON	1-C5	1-10
CAMSHAFT	1-C5	1-11
FAN COVER	1-C6	1-13
CARBURETOR	1-C7	1-15
AIR CLEANER	1-D1	1-18
FUEL PUMP	1-D2	1-20
FLYWHEEL	1-D3	1-22
IGNITION COIL	1-D3	1-23
STARTER MOTOR	1-D4	1-25
CONTROL	1-D5	1-27
CONTROL BOX	1-D7	1-30
LABEL • TOOL	1-D8	1-32
OTHER PARTS (FUEL PUMP) (REGULATOR RECTIFIER)	1-D8	1-33
OTHER PARTS (LABEL)	1-E1	1-35
MUFFLER (HIGH-R.)	1-E2	1-36
MUFFLER (HIGH-L.)	1-E3	1-38

CYLINDER HEAD



Z9E0E0200

MODEL	TYPE	f=QXC2	l=BDW
A=GX630R	a=QAB	g=QXF6	m=BXF
B=GX660R	b=QAF1	h=QZB2	n=TAF
C=GX690R	c=QDF2	i=QZB3	o=TDW
	d=QDW	j=VXA1	p=TXA2
	e=QXB1	k=BAF	q=TXF7

E-2

Ref	Description	Model	Type	Engine Serial Number		QTY	Part Number	H/C
				From	To			
1	HANGER, ENGINE.....	A	a b c d e f g h i j	-----	-----	2	11911-Z6L-000	9336116
		B C	k l m n o p q	-----	-----	2	11911-Z6L-000	9336116
2	CYLINDER HEAD (#1).....	A	a b c d e f g h i j	-----	-----	1	12110-Z6L-000	9336124
		B C	k l m n o p q	-----	-----	1	12110-Z6L-000	9336124
3	CYLINDER HEAD (#2).....	A	a b c d e f g h i j	-----	-----	1	12120-Z6L-000	9336132
		B C	k l m n o p q	-----	-----	1	12120-Z6L-000	9336132
4	COVER, CYLINDER HEAD.....	A	a b c d e f g h i j	-----	-----	1	12311-Z6L-000	9336157
		B C	k l m n o p q	-----	-----	1	12311-Z6L-000	9336157
5	COVER, CYLINDER HEAD.....	A	a b c d e f g h i j	-----	-----	1	12311-Z6L-800	9336165
		B C	k l m n o p q	-----	-----	1	12311-Z6L-800	9336165
6	GASKET, HEAD COVER.....	A	a b c d e f g h i j	-----	-----	2	12312-Z6L-000	9336173
		B C	k l m n o p q	-----	-----	2	12312-Z6L-000	9336173
7	CAP ASSY., OIL FILLER.....	A	a b c d e f g h i j	-----	-----	1	15600-Z6L-000	9336512
		B C	k l m n o p q	-----	-----	1	15600-Z6L-000	9336512
8	GASKET, OIL FILLER CAP.....	A	a b c d e f g h i j	-----	-----	1	15625-Z6L-000	9336520
		B C	k l m n o p q	-----	-----	1	15625-Z6L-000	9336520
9	STAY, FUEL TUBE GROMMET.....	A	a b c d e f g h i j	-----	-----	1	16722-Z6L-000	9336918
		B C	k l m n o p q	-----	-----	1	16722-Z6L-000	9336918
10	MANIFOLD, IN.....	A	a b c d e f g h i j	-----	-----	1	17101-Z6L-000	9336983
		B C	k l m n o p q	-----	-----	1	17101-Z6L-000	9336983
11	GASKET, IN. MANIFOLD.....	A	a b c d e f g h i j	-----	-----	2	17151-Z6L-000	9336991

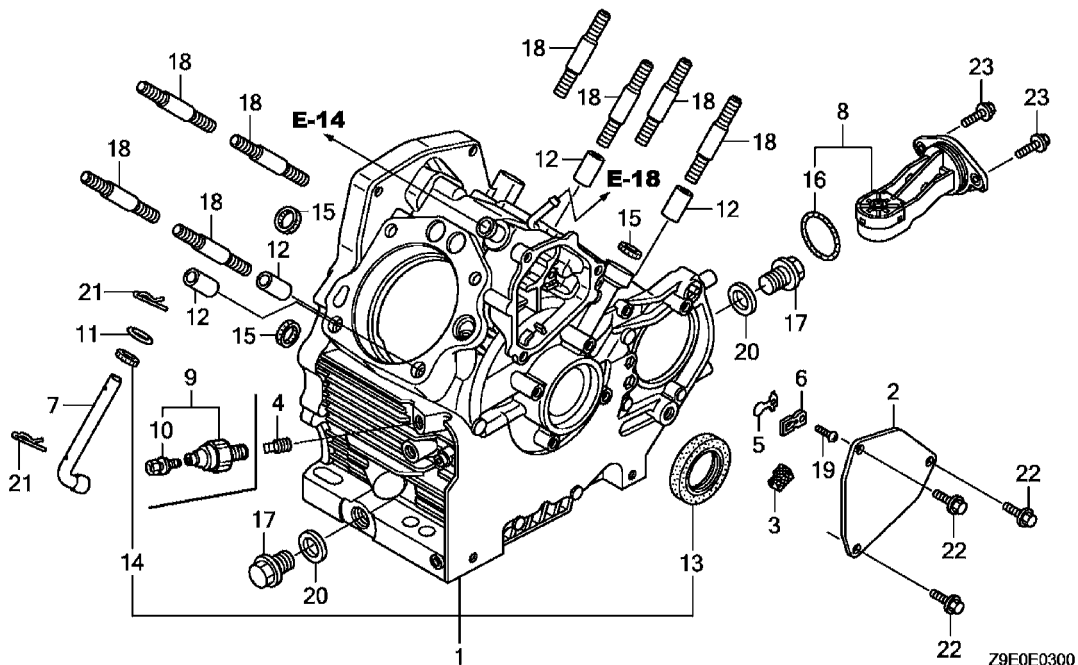
CYLINDER HEAD

MODEL	TYPE	f=QXC2	l=BDW
A =GX630R	a =QAB	g =QXF6	m =BXF
B =GX660R	b =QAF1	h =QZB2	n =TAF
C =GX690R	c =QDF2	i =QZB3	o =TDW
	d =QDW	j =VXA1	p =TXA2
	e =QXB1	k =BAF	q =TXF7

E-2

Ref	Description	Model	Type	Engine Serial Number		QTY	Part Number	H/C
				From	To			
11	GASKET, IN. MANIFOLD.....	B C	k l m n o p q	-----	-----	2	17151-Z6L-000	9336991
12	BOLT, STUD (8X22) (NOT AVAILABLE).....	A	a b c d e f g h i j	-----	-----	4	92900-08022-0E	5374871
		B C	k l m n o p q	-----	-----	4	92900-08022-0E	5374871
13	NUT, FLANGE (8MM).....	A	a b c d e f g h i j	-----	-----	4	94050-08000	0481143
		B C	k l m n o p q	-----	-----	4	94050-08000	0481143
14	NUT, FLANGE (10MM).....	A	a b c d e f g h i j	-----	-----	8	94050-10000	0483867
		B C	k l m n o p q	-----	-----	8	94050-10000	0483867
15	BOLT, FLANGE (6X30)	A	a b c d e f g h i j	-----	-----	4	95701-06030-00	2401222
		B C	k l m n o p q	-----	-----	4	95701-06030-00	2401222
16	BOLT, FLANGE (6X50)	A	a b c d e f g h i j	-----	-----	4	95701-06050-00	2410975
		B C	k l m n o p q	-----	-----	4	95701-06050-00	2410975
17	BOLT, FLANGE (8X16)	A	a b c d e f g h i j	-----	-----	2	95701-08016-00	2298396
		B C	k l m n o p q	-----	-----	2	95701-08016-00	2298396
18	SPARK PLUG (ZFR5F)	A	a b c d e f g h i j	-----	-----	2	98079-5587G	9212721
		B C	k l m n o p q	-----	-----	2	98079-5587G	9212721

CRANKCASE



Z9E0E0300

Z9E0E0300

MODEL	TYPE	f=QXC2	l=BDW
A =GX630R	a =QAB	g =QXF6	m =BXF
B =GX660R	b =QAF1	h =QZB2	n =TAF
C =GX690R	c =QDF2	i =QZB3	o =TDW
	d =QDW	j =VXA1	p =TXA2
	e =QXB1	k =BAF	q =TXF7

E-3

Ref	Description	Model	Type	Engine Serial Number		QTY	Part Number	H/C
				From	To			
1	CRANKCASE ASSY.	A	a b c d	-----	-----	1	11100-Z6L-000	9336074
		B C	k l n o	-----	-----	1	11100-Z6L-000	9336074
	CRANKCASE ASSY.	A	f g h i j	-----	-----	1	11100-Z6L-800	9336082
		B C	m p q	-----	-----	1	11100-Z6L-800	9336082
	CRANKCASE ASSY.	A	e	-----	-----	1	11100-Z6L-820	9336090
2	COVER, BREATHER	A	a b c d e f g h i j	-----	-----	1	12356-Z6L-000	9336181
		B C	k l m n o p q	-----	-----	1	12356-Z6L-000	9336181
3	FILTER, BREATHER	A	a b c d e f g h i j	-----	-----	1	12367-Z6L-000	9336199
		B C	k l m n o p q	-----	-----	1	12367-Z6L-000	9336199
4	BOLT, SEALING.....	A	a c d e f g h i j	-----	-----	1	15424-Z6L-000	9336496
		B C	l m o p	-----	-----	1	15424-Z6L-000	9336496
5	VALVE, OIL OUTLET	A	a b c d e f g h i j	-----	-----	1	15571-ZM7-003	5988431
		B C	k l m n o p q	-----	-----	1	15571-ZM7-003	5988431
6	PLATE, STOPPER.....	A	a b c d e f g h i j	-----	-----	1	15572-Z6L-000	9336504
		B C	k l m n o p q	-----	-----	1	15572-Z6L-000	9336504
7	SHAFT, GOVERNOR ARM	A	a b c d e f g h i j	-----	-----	1	16541-Z6L-000	9336801
		B C	k l m n o p q	-----	-----	1	16541-Z6L-000	9336801
8	SWITCH ASSY., OIL LEVEL	A	e f g h i j	-----	-----	1	35480-Z6L-003	9337601
		B C	m p q	-----	-----	1	35480-Z6L-003	9337601
9	SWITCH, OIL PRESSURE.....	A	b	-----	-----	1	37240-ZG5-004	3639457
		B C	k n q	-----	-----	1	37240-ZG5-004	3639457

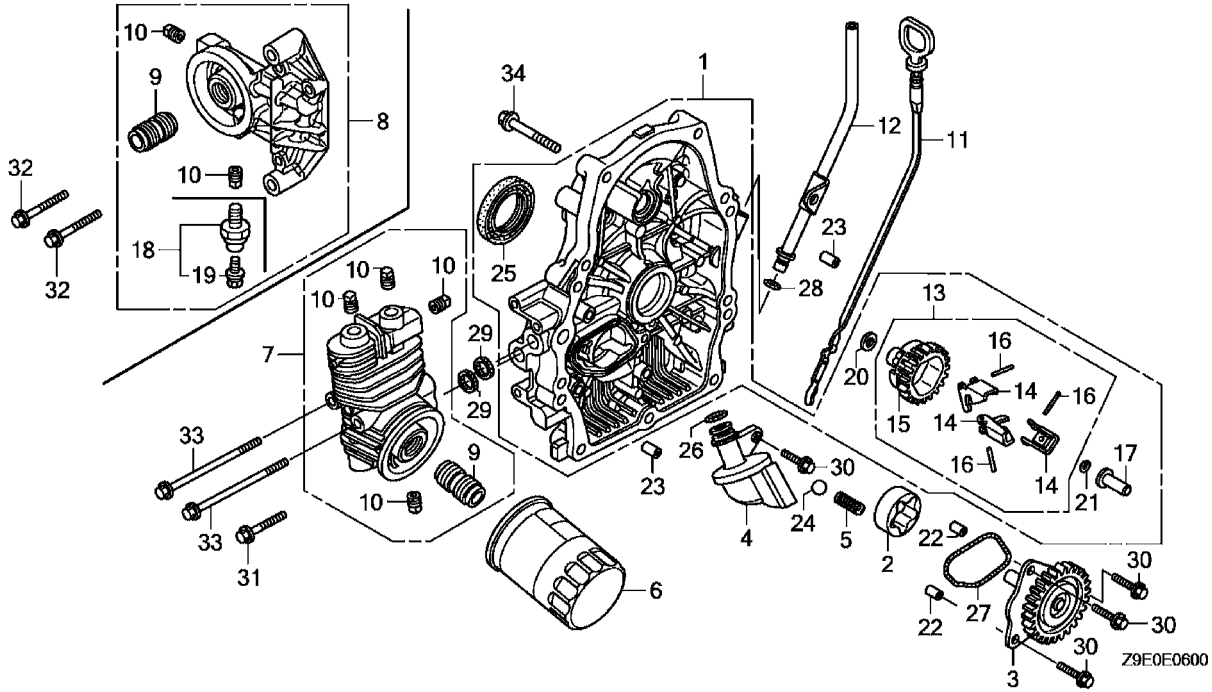
CRANKCASE

MODEL	TYPE	f=QXC2	l=BDW
A =GX630R	a =QAB	g =QXF6	m =BXF
B =GX660R	b =QAF1	h =QZB2	n =TAF
C =GX690R	c =QDF2	i =QZB3	o =TDW
	d =QDW	j =VXA1	p =TXA2
	e =QXB1	k =BAF	q =TXF7

E-3

Ref	Description	Model	Type	Engine Serial Number		QTY	Part Number	H/C
				From	To			
10	SCREW-WASHER (4X8)	A	b	-----	-----	1	90002-ZG5-004	3640406
		B C	k n q	-----	-----	1	90002-ZG5-004	3640406
11	WASHER, PLAIN (10MM)	A	a b c d e f g h i j	-----	-----	1	90404-Z6L-000	9337908
		B C	k l m n o p q	-----	-----	1	90404-Z6L-000	9337908
12	PIN, DOWEL (12X20).....	A	a b c d e f g h i j	-----	-----	4	90709-Z6L-000	9337957
		B C	k l m n o p q	-----	-----	4	90709-Z6L-000	9337957
13	OIL SEAL (38X58X9)	A	a b c d e f g h i j	-----	-----	1	91201-Z6L-003	9337981
		B C	k l m n o p q	-----	-----	1	91201-Z6L-003	9337981
14	OIL SEAL (10X16X5)	A	a b c d e f g h i j	-----	-----	1	91203-Z6L-003	9338005
		B C	k l m n o p q	-----	-----	1	91203-Z6L-003	9338005
15	GASKET, OIL PASSAGE	A	a b c d e f g h i j	-----	-----	3	91308-Z6L-003	9338039
		B C	k l m n o p q	-----	-----	3	91308-Z6L-003	9338039
16	O-RING (37.9X2.4).....	A	e f g h i j	-----	-----	1	91309-Z6L-000	9338047
		B C	m p q	-----	-----	1	91309-Z6L-000	9338047
17	BOLT, DRAIN PLUG (20MM).....	A	a b c d e f g h i j	-----	-----	2	92800-20000	0209635
		B C	k l m n o p q	-----	-----	2	92800-20000	0209635
18	BOLT, STUD (10X40).....	A	a b c d e f g h i j	-----	-----	8	92900-10040-0B	2073112
		B C	k l m n o p q	-----	-----	8	92900-10040-0B	2073112
19	SCREW, PAN (3X8).....	A	a b c d e f g h i j	-----	-----	1	93500-03008-0A	0198176
		B C	k l m n o p q	-----	-----	1	93500-03008-0A	0198176
20	WASHER, DRAIN PLUG (20MM).....	A	a b c d e f g h i j	-----	-----	2	94109-20000	0251728
		B C	k l m n o p q	-----	-----	2	94109-20000	0251728
21	PIN, LOCK (10MM).....	A	a b c d e f g h i j	-----	-----	2	94251-10000	0159269
		B C	k l m n o p q	-----	-----	2	94251-10000	0159269
22	BOLT, FLANGE (6X14)	A	a b c d e f g h i j	-----	-----	3	95701-06014-00	2410884
		B C	k l m n o p q	-----	-----	3	95701-06014-00	2410884
23	BOLT, FLANGE (6X16)	A	e f g h i j	-----	-----	2	95701-06016-00	2410892
		B C	m p q	-----	-----	2	95701-06016-00	2410892

CRANKCASE COVER



Z9E0E0600

MODEL	TYPE	f=QXC2	l=BDW
A =GX630R	a =QAB	g =QXF6	m =BXF
B =GX660R	b =QAF1	h =QZB2	n =TAF
C =GX690R	c =QDF2	i =QZB3	o =TDW
	d =QDW	j =VXA1	p =TXA2
	e =QXB1	k =BAF	q =TXF7

E-6

Ref	Description	Model	Type	Engine Serial Number		QTY	Part Number	H/C
				From	To			
1	COVER ASSY., CRANKCASE	A	a b c d e f g h i j	-----	-----	1	11300-Z6L-000	9336108
		B C	k l m n o p q	-----	-----	1	11300-Z6L-000	9336108
2	ROTOR, OIL PUMP (OUTER)	A	a b c d e f g h i j	-----	-----	1	15133-Z6L-000	9336413
		B C	k l m n o p q	-----	-----	1	15133-Z6L-000	9336413
3	GEAR, OIL PUMP	A	a b c d e f g h i j	-----	-----	1	15140-Z6L-000	9336421
		B C	k l m n o p q	-----	-----	1	15140-Z6L-000	9336421
4	STRAINER, OIL	A	a b c d e f g h i j	-----	-----	1	15220-Z6L-000	9336439
		B C	k l m n o p q	-----	-----	1	15220-Z6L-000	9336439
5	SPRING, RELIEF VALVE.....	A	a b c d e f g h i j	-----	-----	1	15232-Z6L-000	9336447
		B C	k l m n o p q	-----	-----	1	15232-Z6L-000	9336447
6	FILTER, OIL (FILTECH TOYO ROKI) (SOLD IN MULTIPLES OF 30).....	A	a b c d e f g h i j	-----	-----	1	15400-PLM-A01	6446231
		B C	k l m n o p q	-----	-----	1	15400-PLM-A01	6446231
7	BASE, OIL FILTER.....	A	b c d f g i	-----	-----	1	15410-Z6L-000	9336454
		B C	k l m n o p q	-----	-----	1	15410-Z6L-000	9336454
8	BASE, OIL FILTER.....	A	e h j	-----	-----	1	15410-Z6L-800	9336462
		A	a	-----	-----	1	15410-Z6L-820	9336470
9	HOLDER, OIL FILTER	A	a b c d e f g h i j	-----	-----	1	15423-Z6L-000	9336488
		B C	k l m n o p q	-----	-----	1	15423-Z6L-000	9336488
10	BOLT, SEALING.....	A	a e h j	-----	-----	1	15424-Z6L-000	9336496
		A	b c d f g i	-----	-----	4	15424-Z6L-000	9336496

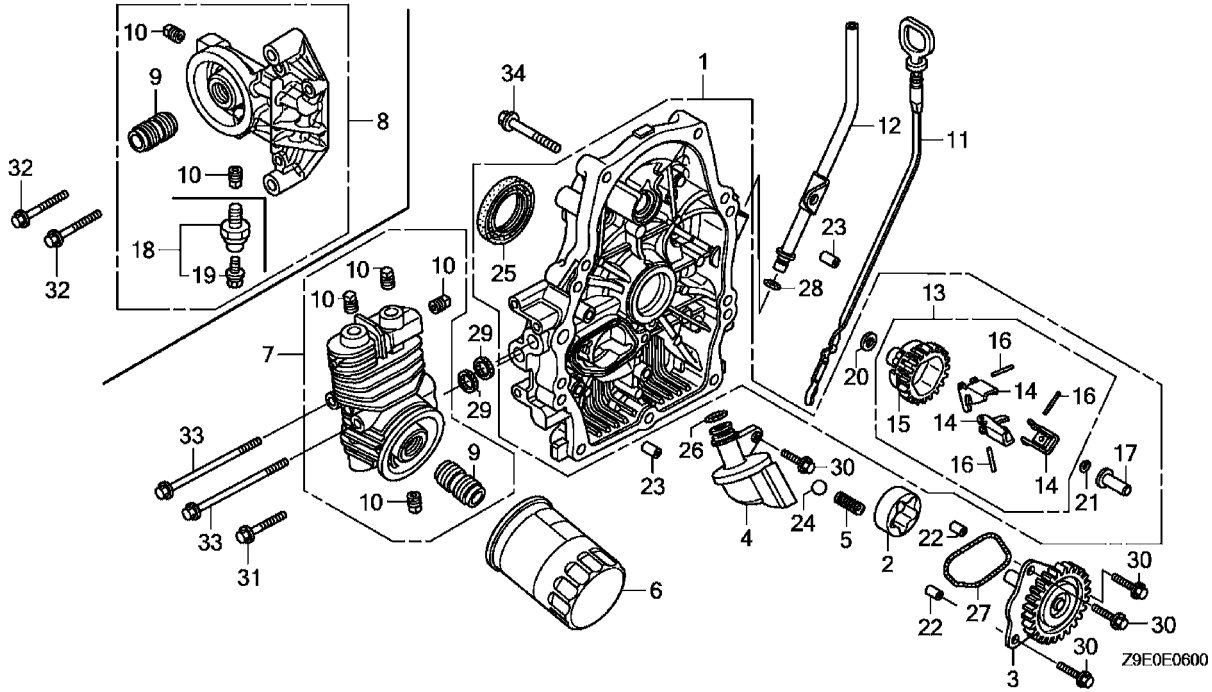
CRANKCASE COVER

MODEL	TYPE	f=QXC2	l=BDW
A =GX630R	a =QAB	g =QXF6	m =BXF
B =GX660R	b =QAF1	h =QZB2	n =TAF
C =GX690R	c =QDF2	i =QZB3	o =TDW
	d =QDW	j =VXA1	p =TXA2
	e =QXB1	k =BAF	q =TXF7

E-6

Ref	Description	Model	Type	Engine Serial Number		QTY	Part Number	H/C
				From	To			
10	BOLT, SEALING.....	B	k l m n o p q	-----	-----	4	15424-Z6L-000	9336496
		C	k l m n o p	-----	-----	1	15424-Z6L-000	9336496
		C	q	-----	-----	4	15424-Z6L-000	9336496
11	GAUGE, OIL LEVEL.....	A	a b c d e f g h i j	-----	-----	1	15655-Z6L-000	9336538
		B C	k l m n o p q	-----	-----	1	15655-Z6L-000	9336538
12	PIPE, OIL LEVEL	A	a b c d e f g h i j	-----	-----	1	15665-Z6L-000	9336546
		B C	k l m n o p q	-----	-----	1	15665-Z6L-000	9336546
13	GOVERNOR ASSY.....	A	a b c d e f g h i j	-----	-----	1	16510-Z6L-000	9336744
		B C	k l m n o p q	-----	-----	1	16510-Z6L-000	9336744
14	WEIGHT, GOVERNOR	A	a b c d e f g h i j	-----	-----	3	16511-Z6L-300	9336751
		B C	k l m n o p q	-----	-----	3	16511-Z6L-300	9336751
15	HOLDER, GOVERNOR WEIGHT	A	a b c d e f g h i j	-----	-----	1	16512-Z6L-300	9336769
		B C	k l m n o p q	-----	-----	1	16512-Z6L-300	9336769
16	PIN, GOVERNOR WEIGHT	A	a b c d e f g h i j	-----	-----	3	16513-Z6L-000	9336777
		B C	k l m n o p q	-----	-----	3	16513-Z6L-000	9336777
17	SLIDER, GOVERNOR	A	a b c d e f g h i j	-----	-----	1	16531-Z6L-000	9336785
		B C	k l m n o p q	-----	-----	1	16531-Z6L-000	9336785
18	SWITCH, OIL PRESSURE.....	A	a	-----	-----	1	37240-ZG5-004	3639457
19	SCREW-WASHER (4X8)	A	a	-----	-----	1	90002-ZG5-004	3640406
20	WASHER (6X16)	A	a b c d e f g h i j	-----	-----	1	90403-Z6L-000	9337890
		B C	k l m n o p q	-----	-----	1	90403-Z6L-000	9337890
21	CLIP, GOVERNOR HOLDER.....	A	a b c d e f g h i j	-----	-----	1	90602-ZE1-000	2456697
		B C	k l m n o p q	-----	-----	1	90602-ZE1-000	2456697
22	PIN, DOWEL (8X10).....	A	a b c d e f g h i j	-----	-----	2	90707-Z6L-000	9337932
		B C	k l m n o p q	-----	-----	2	90707-Z6L-000	9337932
23	PIN, DOWEL (8X14).....	A	a b c d e f g h i j	-----	-----	2	90708-Z6L-000	9337940
		B C	k l m n o p q	-----	-----	2	90708-Z6L-000	9337940
24	BALL, STEEL (#15) (15/32)	A	a b c d e f g h i j	-----	-----	1	90902-Z6L-000	9337973
		B C	k l m n o p q	-----	-----	1	90902-Z6L-000	9337973
25	OIL SEAL (38X58X9)	A	a b c d e f g h i j	-----	-----	1	91202-Z6L-003	9337999
		B C	k l m n o p q	-----	-----	1	91202-Z6L-003	9337999
26	O-RING (14.8X2.4).....	A	a b c d e f g h i j	-----	-----	1	91301-Z6L-003	9338013
		B C	k l m n o p q	-----	-----	1	91301-Z6L-003	9338013
27	O-RING, OIL PUMP	A	a b c d e f g h i j	-----	-----	1	91302-Z6L-003	9338021
		B C	k l m n o p q	-----	-----	1	91302-Z6L-003	9338021
28	O-RING (8.8X1.9).....	A	a b c d e f g h i j	-----	-----	1	91302-GEO-000	3333010
		B C	k l m n o p q	-----	-----	1	91302-GEO-000	3333010
29	GASKET, OIL PASSAGE	A	a b c d e f g h i j	-----	-----	2	91308-Z6L-003	9338039
		B C	k l m n o p q	-----	-----	2	91308-Z6L-003	9338039
30	BOLT, FLANGE (6X20)	A	a b c d e f g h i j	-----	-----	4	95701-06020-00	2105815

CRANKCASE COVER



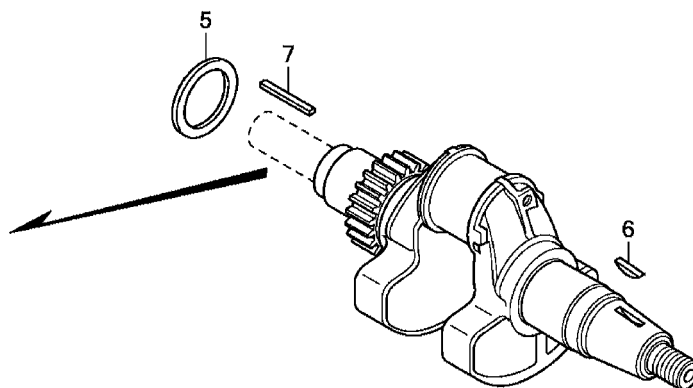
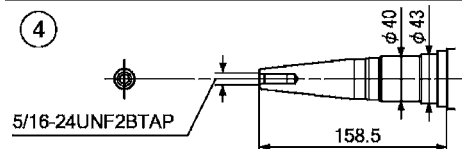
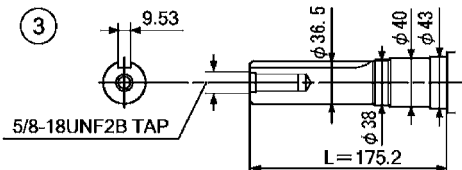
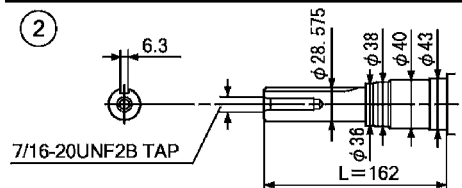
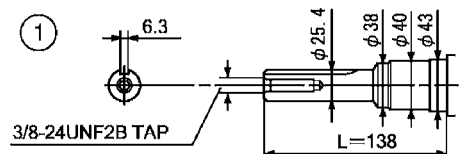
Z9E0E0600

MODEL	TYPE	f=QXC2	l=BDW
A =GX630R	a =QAB	g =QXF6	m =BXF
B =GX660R	b =QAF1	h =QZB2	n =TAF
C =GX690R	c =QDF2	i =QZB3	o =TDW
	d =QDW	j =VXA1	p =TXA2
	e =QXB1	k =BAF	q =TXF7

E-6

Ref	Description	Model	Type	Engine Serial Number		QTY	Part Number	H/C
				From	To			
30	BOLT, FLANGE (6X20)	B C	k l m n o p q	-----	-----	4	95701-06020-00	2105815
31	BOLT, FLANGE (6X28)	A	a b c d e f g h i j	-----	-----	1	95701-06028-00	2105849
		B C	k l m n o p q	-----	-----	1	95701-06028-00	2105849
32	BOLT, FLANGE (6X35)	A	a e h j	-----	-----	2	95701-06035-00	2105864
33	BOLT, FLANGE (6X90)	A	b c d f g i	-----	-----	2	95701-06090-00	2533842
		B C	k l m n o p q	-----	-----	2	95701-06090-00	2533842
34	BOLT, FLANGE (8X45)	A	a b c d e f g h i j	-----	-----	9	95701-08045-00	2533859
		B C	k l m n o p q	-----	-----	9	95701-08045-00	2533859

CRANKSHAFT



Z9E0E0700



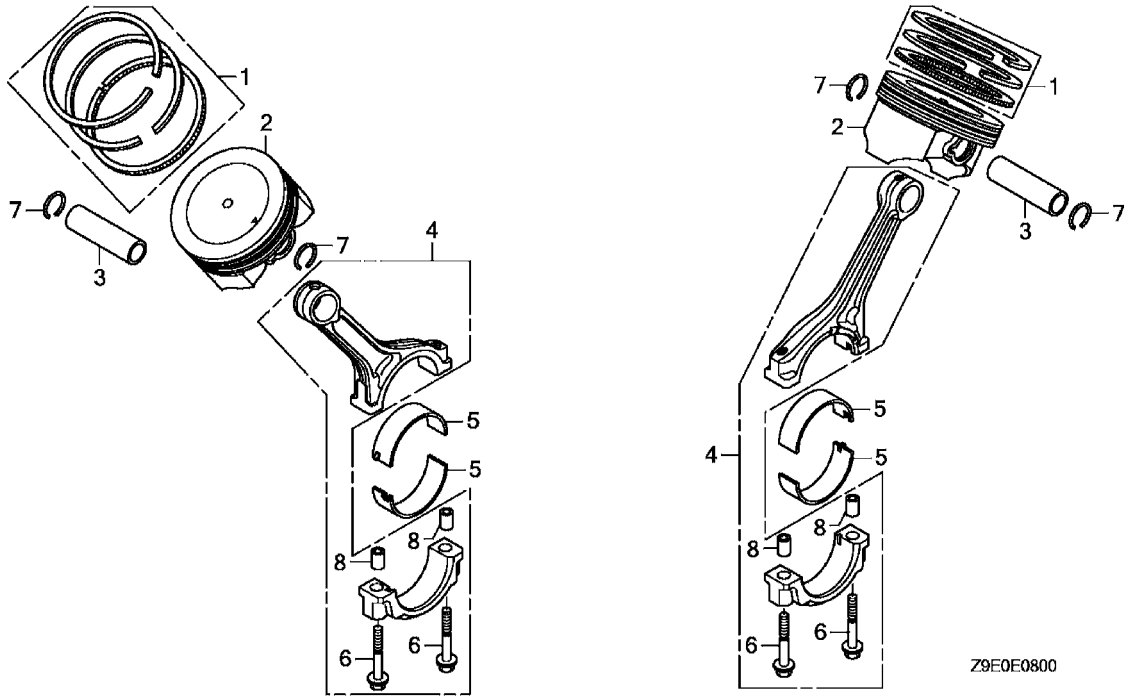
Z9E0E0700

MODEL	TYPE	f=QXC2	l=BDW
A=GX630R	a=QAB	g=QXF6	m=BXF
B=GX660R	b=QAF1	h=QZB2	n=TAF
C=GX690R	c=QDF2	i=QZB3	o=TDW
	d=QDW	j=VXA1	p=TXA2
	e=QXB1	k=BAF	q=TXF7

E-7

Ref	Description	Model	Type	Engine Serial Number		QTY	Part Number	H/C
				From	To			
1	CRANKSHAFT (L=138)	A	a b c d e f g h i	-----	-----	1	13310-Z6L-000	9336256
2	CRANKSHAFT (L=162)	B C	n o p q	-----	-----	1	13310-Z6L-600	9336264
3	CRANKSHAFT (L=175.2).....	B C	k l m	-----	-----	1	13310-Z6L-610	9336272
4	CRANKSHAFT	A	j	-----	-----	1	13310-Z6L-620	9336280
5	WASHER, CRANKSHAFT THRUST	A	a b c d e f g h i j	-----	-----	1	90402-Z6L-000	9337882
		B C	k l m n o p q	-----	-----	1	90402-Z6L-000	9337882
6	KEY, SPECIAL WOODRUFF (25X18)	A	a b c d e f g h i j	-----	-----	1	90741-ZE2-000	2027159
		B C	k l m n o p q	-----	-----	1	90741-ZE2-000	2027159

PISTON



Z9E0E0800



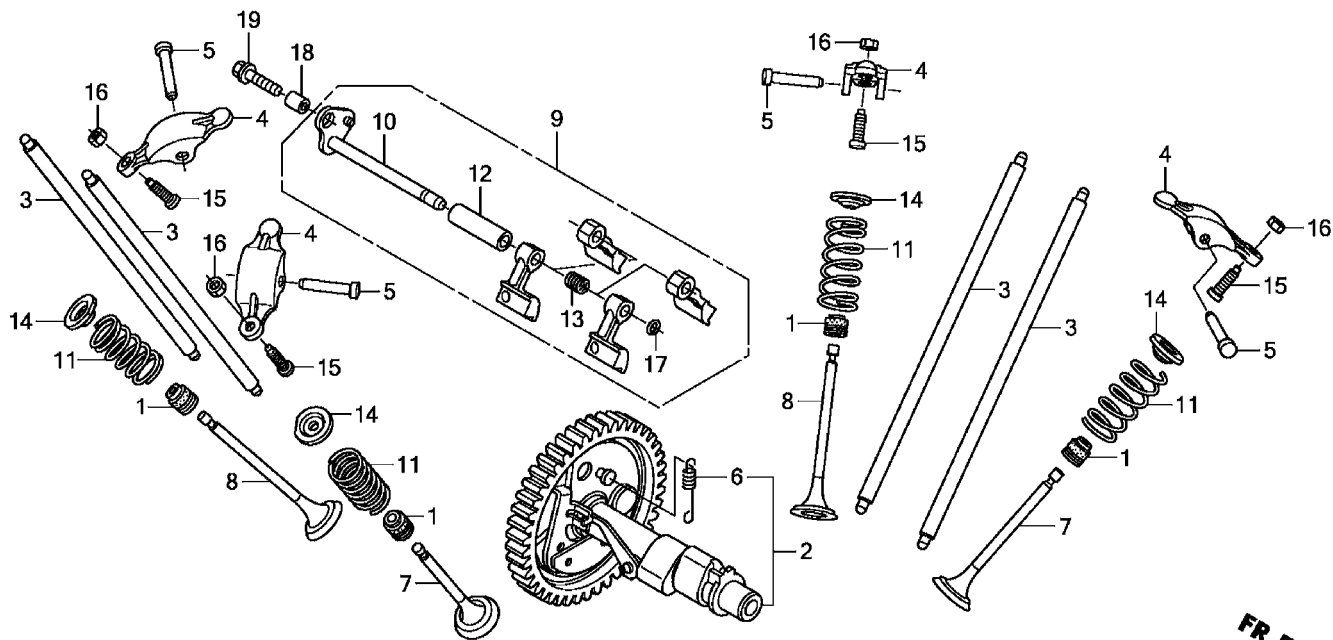
Z9E0E0800

MODEL	TYPE	f=QXC2	l=BDW
A=GX630R	a=QAB	g=QXF6	m=BXF
B=GX660R	b=QAF1	h=QZB2	n=TAF
C=GX690R	c=QDF2	i=QZB3	o=TDW
	d=QDW	j=VXA1	p=TXA2
	e=QXB1	k=BAF	q=TXF7

E-8

Ref	Description	Model	Type	Engine Serial Number		QTY	Part Number	H/C
				From	To			
1	RING SET, PISTON (STD) (TEIKOKU)	A	a b c d e f g h i j	-----	-----	2	13010-Z6L-003	9336207
		B C	k l m n o p q	-----	-----	2	13010-Z6L-003	9336207
2	PISTON	A	a b c d e f g h i j	-----	-----	2	13101-Z6L-000	9336215
		B C	k l m n o p q	-----	-----	2	13101-Z6L-000	9336215
3	PIN, PISTON	A	a b c d e f g h i j	-----	-----	2	13111-Z6L-000	9336223
		B C	k l m n o p q	-----	-----	2	13111-Z6L-000	9336223
4	ROD ASSY., CONNECTING	A	a b c d e f g h i j	-----	-----	2	13210-Z6L-000	9336231
		B C	k l m n o p q	-----	-----	2	13210-Z6L-000	9336231
5	BEARING A, CONNECTING ROD	A	a b c d e f g h i j	-----	-----	4	13211-Z6L-003	9336249
		B C	k l m n o p q	-----	-----	4	13211-Z6L-003	9336249
6	BOLT, CONNECTING ROD (7X38)	A	a b c d e f g h i j	-----	-----	4	90001-Z6L-000	9337825
		B C	k l m n o p q	-----	-----	4	90001-Z6L-000	9337825
7	CLIP, PISTON PIN (18MM)	A	a b c d e f g h i j	-----	-----	4	90551-ZE1-000	2539120
		B C	k l m n o p q	-----	-----	4	90551-ZE1-000	2539120
8	PIN, DOWEL (9X10).....	A	a b c d e f g h i j	-----	-----	4	90705-Z6L-000	9337924
		B C	k l m n o p q	-----	-----	4	90705-Z6L-000	9337924

CAMSHAFT



Z9E0E0900



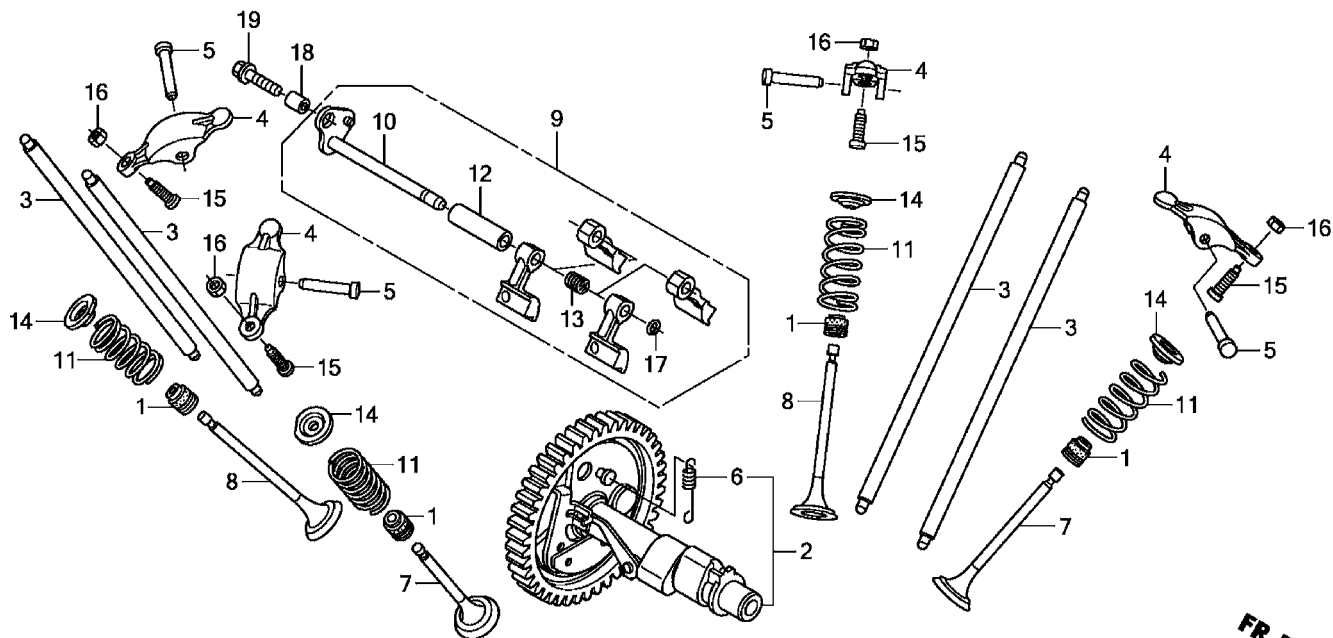
Z9E0E0900

MODEL	TYPE	f=QXC2	l=BDW
A =GX630R	a =QAB	g =QXF6	m =BXF
B =GX660R	b =QAF1	h =QZB2	n =TAF
C =GX690R	c =QDF2	i =QZB3	o =TDW
	d =QDW	j =VXA1	p =TXA2
	e =QXB1	k =BAF	q =TXF7

E-9

Ref	Description	Model	Type	Engine Serial Number		QTY	Part Number	H/C
				From	To			
1	SEAL, VALVE STEM	A	a b c d e f g h i j	-----	-----	4	12208-Z6L-003	9336140
		B C	k l m n o p q	-----	-----	4	12208-Z6L-003	9336140
2	CAMSHAFT ASSY.	A	a b c d e f g h i j	-----	-----	1	14100-Z6L-000	9336298
		B C	k l m n o p q	-----	-----	1	14100-Z6L-000	9336298
3	ROD, PUSH	A	a b c d e f g h i j	-----	-----	4	14410-Z6L-000	9336306
		B C	k l m n o p q	-----	-----	4	14410-Z6L-000	9336306
4	ARM, VALVE ROCKER	A	a b c d e f g h i j	-----	-----	4	14431-Z6L-000	9336314
		B C	k l m n o p q	-----	-----	4	14431-Z6L-000	9336314
5	SHAFT, ROCKER ARM	A	a b c d e f g h i j	-----	-----	4	14461-Z6L-000	9336322
		B C	k l m n o p q	-----	-----	4	14461-Z6L-000	9336322
6	SPRING, WEIGHT RETURN	A	a b c d e f g h i j	-----	-----	1	14568-Z6L-000	9336330
		B C	k l m n o p q	-----	-----	1	14568-Z6L-000	9336330
7	VALVE, IN.	A	a b c d e f g h i j	-----	-----	2	14711-Z6L-000	9336348
		B C	k l m n o p q	-----	-----	2	14711-Z6L-000	9336348
8	VALVE, EX.	A	a b c d e f g h i j	-----	-----	2	14721-Z6L-000	9336355
		B C	k l m n o p q	-----	-----	2	14721-Z6L-000	9336355
9	LIFTER ASSY., VALVE	A	a b c d e f g h i j	-----	-----	1	14730-Z6L-000	9336363
		B C	k l m n o p q	-----	-----	1	14730-Z6L-000	9336363
10	SHAFT, VALVE LIFTER.....	A	a b c d e f g h i j	-----	-----	1	14735-Z6L-000	9336371
		B C	k l m n o p q	-----	-----	1	14735-Z6L-000	9336371
11	SPRING, VALVE	A	a b c d e f g h i j	-----	-----	4	14751-Z6L-000	9336389

CAMSHAFT



Z9E0E0900



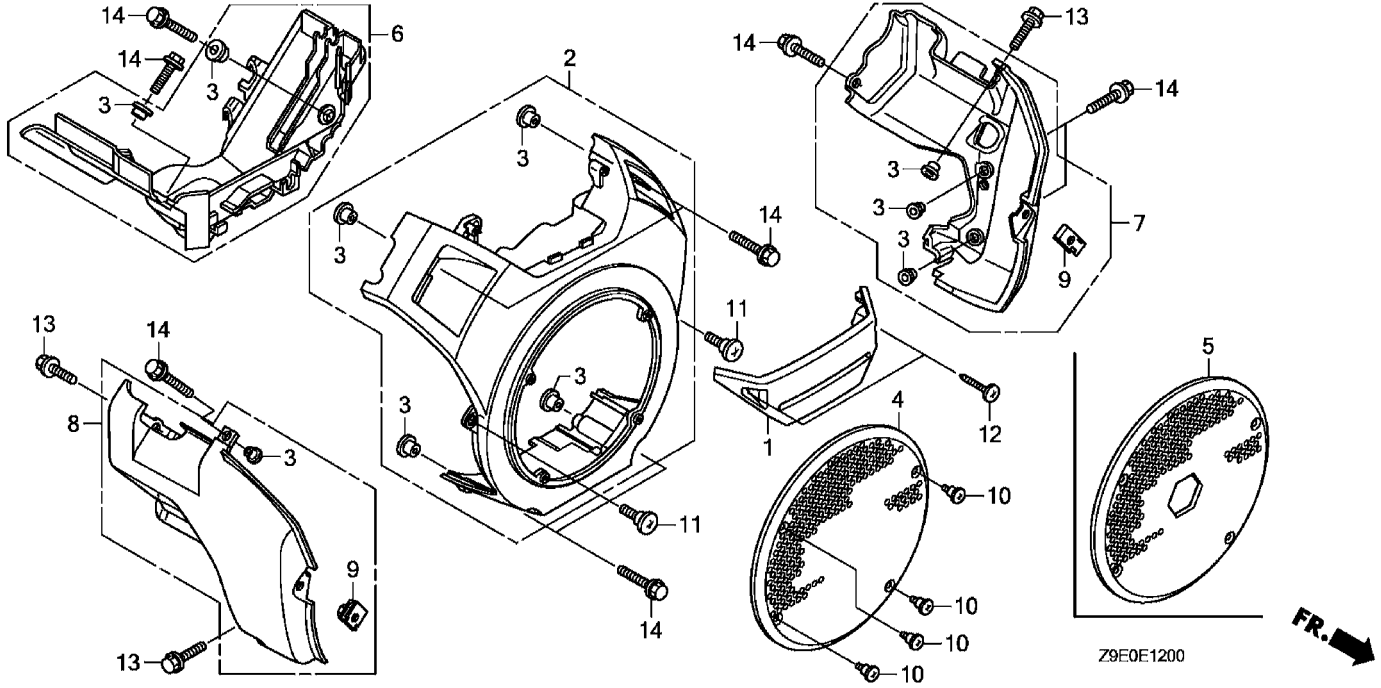
Z9E0E0900

MODEL	TYPE	f=QXC2	l=BDW
A=GX630R	a=QAB	g=QXF6	m=BXF
B=GX660R	b=QAF1	h=QZB2	n=TAF
C=GX690R	c=QDF2	i=QZB3	o=TDW
	d=QDW	j=VXA1	p=TXA2
	e=QXB1	k=BAF	q=TXF7

E-9

Ref	Description	Model	Type	Engine Serial Number		QTY	Part Number	H/C
				From	To			
11	SPRING, VALVE	B C	k l m n o p q	-----	-----	4	14751-Z6L-000	9336389
12	COLLAR, VALVE LIFTER	A	a b c d e f g h i j	-----	-----	1	14763-Z6L-000	9336397
		B C	k l m n o p q	-----	-----	1	14763-Z6L-000	9336397
13	SPRING, VALVE LIFTER.....	A	a b c d e f g h i j	-----	-----	1	14764-Z6L-000	9336405
		B C	k l m n o p q	-----	-----	1	14764-Z6L-000	9336405
14	RETAINER, IN. VALVE SPRING (IN./EX.)	A	a b c d e f g h i j	-----	-----	4	14771-ZE1-000	1426980
		B C	k l m n o p q	-----	-----	4	14771-ZE1-000	1426980
15	SCREW, TAPPET ADJUSTING.....	A	a b c d e f g h i j	-----	-----	4	90012-Z6L-000	9337858
		B C	k l m n o p q	-----	-----	4	90012-Z6L-000	9337858
16	NUT, TAPPET ADJUSTING.....	A	a b c d e f g h i j	-----	-----	4	90206-Z6L-000	9337874
		B C	k l m n o p q	-----	-----	4	90206-Z6L-000	9337874
17	CLIP, GOVERNOR HOLDER.....	A	a b c d e f g h i j	-----	-----	1	90602-ZE1-000	2456697
		B C	k l m n o p q	-----	-----	1	90602-ZE1-000	2456697
18	PIN, DOWEL (8X10).....	A	a b c d e f g h i j	-----	-----	1	90707-Z6L-000	9337932
		B C	k l m n o p q	-----	-----	1	90707-Z6L-000	9337932
19	BOLT, FLANGE (6X22)	A	a b c d e f g h i j	-----	-----	1	95701-06022-00	2105823
		B C	k l m n o p q	-----	-----	1	95701-06022-00	2105823

FAN COVER



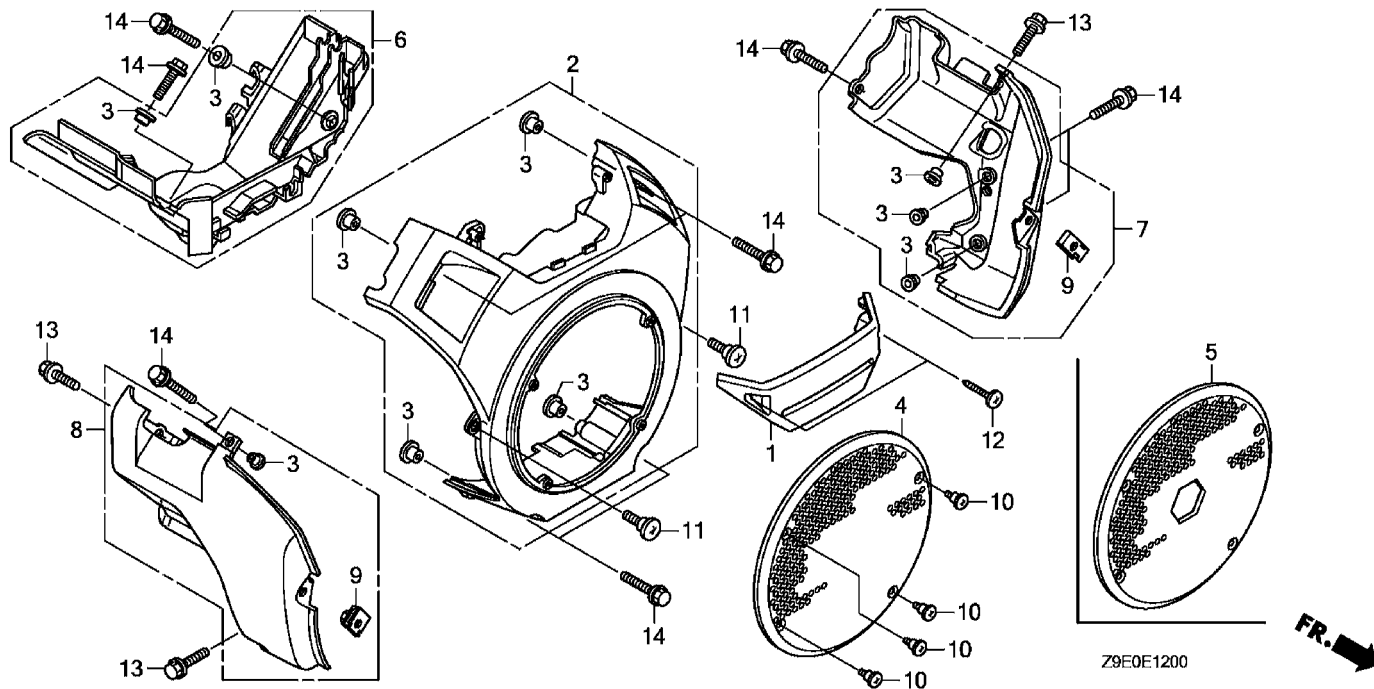
Z9E0E1200

MODEL	TYPE	f=QXC2	l=BDW
A =GX630R	a =QAB	g =QXF6	m =BXF
B =GX660R	b =QAF1	h =QZB2	n =TAF
C =GX690R	c =QDF2	i =QZB3	o =TDW
	d =QDW	j =VXA1	p =TXA2
	e =QXB1	k =BAF	q =TXF7

E-12

Ref	Description	Model	Type	Engine Serial Number		QTY	Part Number	H/C
				From	To			
1	COVER, FUEL PUMP	A	a b c d e f g h i j	-----	-----	1	16715-Z6L-000	9336900
		B C	k l m n o p q	-----	-----	1	16715-Z6L-000	9336900
2	COVER, FAN *R280* (POWER RED)	A	a b c d e f g h i j	-----	-----	1	19610-Z6L-000ZA	9337197
		B C	k l m n o p q	-----	-----	1	19610-Z6L-000ZA	9337197
3	COLLAR, FAN COVER	A	a b c d e f g h i j	-----	-----	10	19619-Z0A-300	9337205
		B C	k l m n o p q	-----	-----	10	19619-Z0A-300	9337205
4	PROTECTOR, FAN COVER	A	a b c d e f g h i j	-----	-----	1	19621-Z6L-000	9337213
		B C	k l m n o p q	-----	-----	1	19621-Z6L-000	9337213
6	SHROUD (UPPER)	A	a b c d e f g h i j	-----	-----	1	19631-Z6L-000	9337221
		B C	k l m n o p q	-----	-----	1	19631-Z6L-000	9337221
7	SHROUD, R. (LOWER)	A	a b c d e f g h i j	-----	-----	1	19641-Z6L-000	9337239
		B C	k l m n o p q	-----	-----	1	19641-Z6L-000	9337239
8	SHROUD, L. (LOWER).....	A	a b c d e f g h i j	-----	-----	1	19642-Z6L-000	9337247
		B C	k l m n o p q	-----	-----	1	19642-Z6L-000	9337247
9	NUT, FENDER SETTING.....	A	a b c d e f g h i j	-----	-----	2	84601-HA7-670	2104339
		B C	k l m n o p q	-----	-----	2	84601-HA7-670	2104339
10	SCREW, SPECIAL (4X10)	A	a b c d e f g h i j	-----	-----	4	90005-Z6L-000	9337841
		B C	k l m n o p q	-----	-----	4	90005-Z6L-000	9337841
11	SCREW, SPECIAL (6X15)	A	a b c d e f g h i j	-----	-----	2	90380-GM9-740	6728752
		B C	k l m n o p q	-----	-----	2	90380-GM9-740	6728752
12	SCREW, TAPPING (5X20).....	A	a b c d e f g h i j	-----	-----	2	93913-25580	5802582

FAN COVER



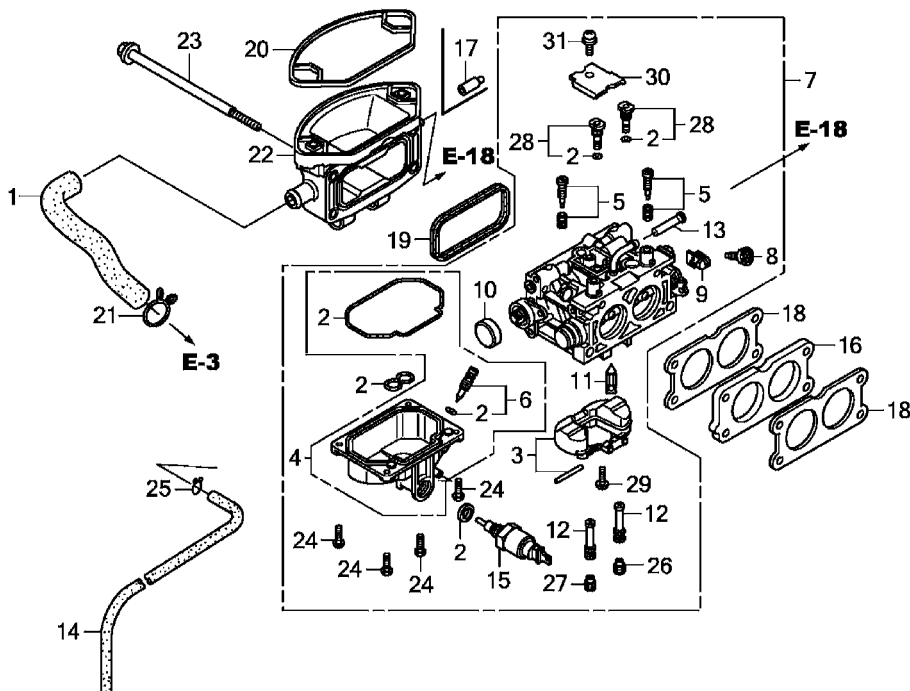
Z9E0E1200

MODEL	TYPE	f=QXC2	l=BDW
A=GX630R	a=QAB	g=QXF6	m=BXF
B=GX660R	b=QAF1	h=QZB2	n=TAF
C=GX690R	c=QDF2	i=QZB3	o=TDW
	d=QDW	j=VXA1	p=TXA2
	e=QXB1	k=BAF	q=TXF7

E-12

Ref	Description	Model	Type	Engine Serial Number		QTY	Part Number	H/C
				From	To			
12	SCREW, TAPPING (5X20).....	B C	k l m n o p q	-----	-----	2	93913-25580	5802582
13	BOLT, FLANGE (6X16)	A	a b c d e f g h i j	-----	-----	3	95701-06016-00	2410892
		B C	k l m n o p q	-----	-----	3	95701-06016-00	2410892
14	BOLT, FLANGE (6X20)	A	a b c d e f g h i j	-----	-----	10	95701-06020-00	2105815
		B C	k l m n o p q	-----	-----	10	95701-06020-00	2105815

CARBURETOR



Z9E0E1400



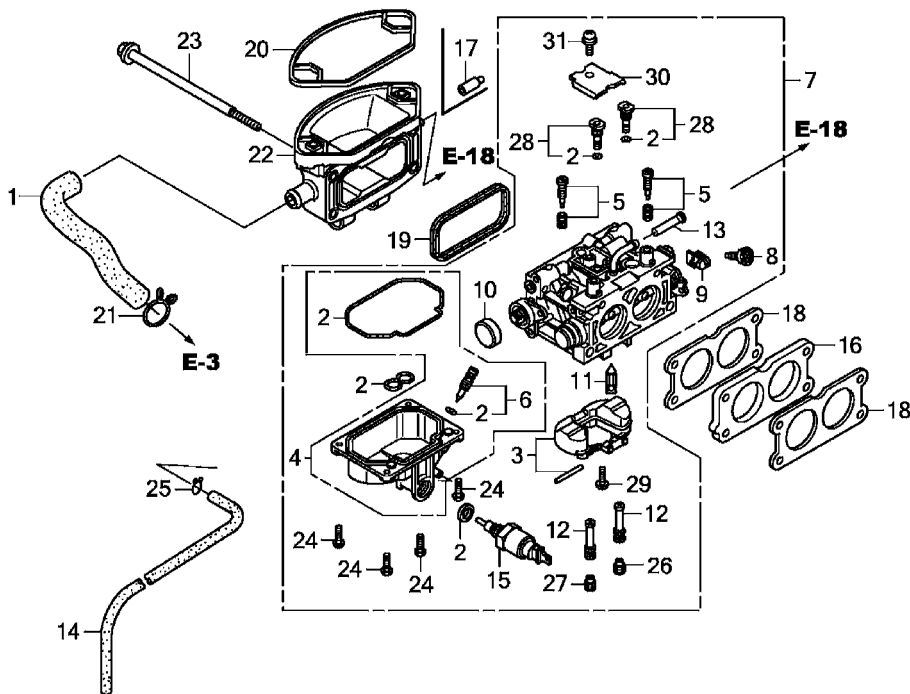
Z9E0E1400

MODEL	TYPE	f=QXC2	l=BDW
A =GX630R	a =QAB	g =QXF6	m =BXF
B =GX660R	b =QAF1	h =QZB2	n =TAF
C =GX690R	c =QDF2	i =QZB3	o =TDW
	d =QDW	j =VXA1	p =TXA2
	e =QXB1	k =BAF	q =TXF7

E-14

Ref	Description	Model	Type	Engine Serial Number		QTY	Part Number	H/C
				From	To			
1	TUBE, BREATHER.....	A	a b c d e f g h i j	-----	-----	1	15721-Z6L-000	9336553
		B C	k l m n o p q	-----	-----	1	15721-Z6L-000	9336553
2	GASKET SET	A	a b c d e f g h i j	-----	-----	1	16010-Z6L-003	9336561
		B C	k l m n o p q	-----	-----	1	16010-Z6L-003	9336561
3	FLOAT SET	A	a b c d e f g h i j	-----	-----	1	16013-Z6L-003	9336579
		B C	k l m n o p q	-----	-----	1	16013-Z6L-003	9336579
4	CHAMBER SET, FLOAT	A	a b c d e f g h i j	-----	-----	1	16015-Z6L-003	9336587
		B C	k l m n o p q	-----	-----	1	16015-Z6L-003	9336587
5	SCREW SET	A	a b c d e f g h i j	-----	-----	2	16016-Z6L-003	9336595
		B C	k l m n o p q	-----	-----	2	16016-Z6L-003	9336595
6	SCREW SET, DRAIN	A	a b c d e f g h i j	-----	-----	1	16024-124-760	0640052
		B C	k l m n o p q	-----	-----	1	16024-124-760	0640052
7	CARBURETOR ASSY. (BK07A A).....	A	a b c d e f g h i j	-----	-----	1	16100-Z9E-003	9336637
		B	k l m n o p q	-----	-----	1	16100-Z8N-003	9336629
				-----	-----	1	16100-Z6L-003	9336611
8	SCREW, THROTTLE STOP.....	A	a b c d e f g h i j	-----	-----	1	16124-ZE0-005	1441559
		B C	k l m n o p q	-----	-----	1	16124-ZE0-005	1441559
9	ARM, THROTTLE LINKAGE	A	a b c d e f g h i j	-----	-----	1	16126-Z6L-003	9336652
		B C	k l m n o p q	-----	-----	1	16126-Z6L-003	9336652
10	CAP, CHOKE DUST.....	A	a b c d e f g h i j	-----	-----	1	16148-141-881	2110468
		B C	k l m n o p q	-----	-----	1	16148-141-881	2110468

CARBURETOR



Z9E0E1400



Z9E0E1400

MODEL	TYPE	f=QXC2	l=BDW
A =GX630R	a =QAB	g =QXF6	m =BXF
B =GX660R	b =QAF1	h =QZB2	n =TAF
C =GX690R	c =QDF2	i =QZB3	o =TDW
	d =QDW	j =VXA1	p =TXA2
	e =QXB1	k =BAF	q =TXF7

E-14

Ref	Description	Model	Type	Engine Serial Number		QTY	Part Number	H/C
				From	To			
11	VALVE, FLOAT.....	A	a b c d e f g h i j	-----	-----	1	16155-Z6L-003	9336660
		B C	k l m n o p q	-----	-----	1	16155-Z6L-003	9336660
12	NOZZLE, MAIN.....	A	a b c d e f g h i j	-----	-----	2	16166-Z8N-003	9336686
		B	k l m n o p q	-----	-----	2	16166-Z8N-003	9336686
	NOZZLE, MAIN.....	C	k l m n o p q	-----	-----	2	16166-Z6L-003	9336678
13	SCREEN, FUEL STRAINER	A	a b c d e f g h i j	-----	-----	1	16176-Z2G-D51	9223041
		B C	k l m n o p q	-----	-----	1	16176-Z2G-D51	9223041
14	TUBE, DRAIN.....	A	a b c d e f g h i j	-----	-----	1	16198-Z6L-000	9336694
		B C	k l m n o p q	-----	-----	1	16198-Z6L-000	9336694
15	VALVE ASSY., SOLENOID	A	a b c d e f g h i j	-----	-----	1	16200-Z6L-003	9336702
		B C	k l m n o p q	-----	-----	1	16200-Z6L-003	9336702
16	INSULATOR, CARBURETOR	A	a b c d e f g h i j	-----	-----	1	16211-Z6L-000	9336710
		B C	k l m n o p q	-----	-----	1	16211-Z6L-000	9336710
17	CAP, BOOST	A	e	-----	-----	1	16215-MV4-000	3694841
18	GASKET, CARBURETOR	A	a b c d e f g h i j	-----	-----	2	16221-Z6L-000	9336728
		B C	k l m n o p q	-----	-----	2	16221-Z6L-000	9336728
19	GASKET, AIR CLEANER.....	A	a b c d e f g h i j	-----	-----	1	17228-Z6L-000	9337031
		B C	k l m n o p q	-----	-----	1	17228-Z6L-000	9337031
20	SEAL, AIR CLEANER HOUSING.....	A	a b c d e f g h i j	-----	-----	1	17229-Z6L-000	9337049
		B C	k l m n o p q	-----	-----	1	17229-Z6L-000	9337049
21	CLIP, BREATHER TUBE	A	a b c d e f g h i j	-----	-----	1	17369-KB4-670	1737931

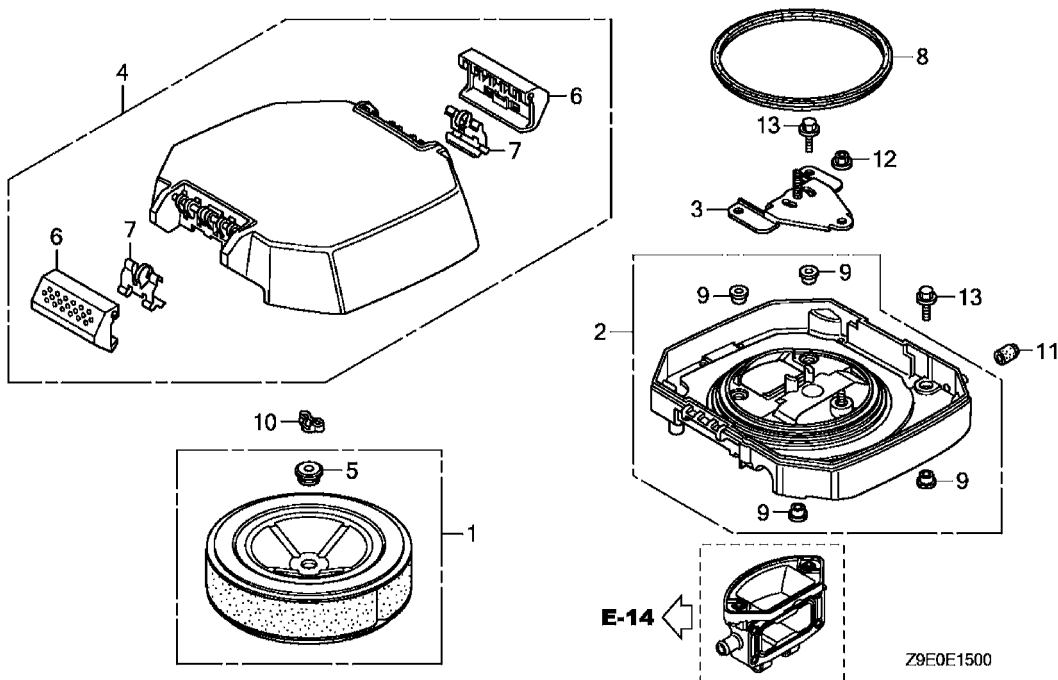
CARBURETOR

MODEL	TYPE	f=QXC2	l=BDW
A =GX630R	a =QAB	g =QXF6	m =BXF
B =GX660R	b =QAF1	h =QZB2	n =TAF
C =GX690R	c =QDF2	i =QZB3	o =TDW
	d =QDW	j =VXA1	p =TXA2
	e =QXB1	k =BAF	q =TXF7

E-14

Ref	Description	Model	Type	Engine Serial Number		QTY	Part Number	H/C
				From	To			
21	CLIP, BREATHER TUBE	B C	k l m n o p q	-----	-----	1	17369-KB4-670	1737931
22	ELBOW, AIR CLEANER.....	A	a b c d e f g h i j	-----	-----	1	17410-Z6L-000	9337080
		B C	k l m n o p q	-----	-----	1	17410-Z6L-000	9337080
23	BOLT, FLANGE (6X106)	A	a b c d e f g h i j	-----	-----	4	90003-Z6L-000	9337833
		B C	k l m n o p q	-----	-----	4	90003-Z6L-000	9337833
24	SCREW, PAN (4X12)	A	a b c d e f g h i j	-----	-----	4	93500-04012-0H	0285643
		B C	k l m n o p q	-----	-----	4	93500-04012-0H	0285643
25	CLIP, TUBE (B8)	A	a b c d e f g h i j	-----	-----	1	95002-02080	0250647
		B C	k l m n o p q	-----	-----	1	95002-02080	0250647
26	JET, MAIN (#90).....	A	a b c d e f g h i j	-----	-----	(1)	99101-ZH8-0900	5947155
	JET, MAIN (#95).....	A	a b c d e f g h i j	-----	-----	(1)	99101-ZH8-0950	6062665
	JET, MAIN (#102).....	A	a b c d e f g h i j	-----	-----	1	99101-ZH8-1020	6059851
	JET, MAIN (#100).....	B	k l m n o p q	-----	-----	(1)	99101-ZH8-1000	6059844
	JET, MAIN (#112).....	B	k l m n o p q	-----	-----	1	99101-ZH8-1120	6123319
	JET, MAIN (#105).....	B C	k l m n o p q	-----	-----	(1)	99101-ZH8-1050	6123335
	JET, MAIN (#110).....	C	k l m n o p q	-----	-----	(1)	99101-ZH8-1100	6123301
	JET, MAIN (#118).....	C	k l m n o p q	-----	-----	1	99101-ZH8-1180	9338062
	JET, MAIN (#92).....	A	a b c d e f g h i j	-----	-----	(1)	99101-ZH8-0920	5947163
	JET, MAIN (#98).....	A	a b c d e f g h i j	-----	-----	(1)	99101-ZH8-0980	6059836
	JET, MAIN (#105).....	A	a	-----	-----	(1)	99101-ZH8-1050	6123335
		A	b c d e f g h i j	-----	-----	1	99101-ZH8-1050	6123335
		B C	k l m n o p q	-----	-----	(1)	99101-ZH8-1050	6123335
	JET, MAIN (#100).....	B	k l m n o p q	-----	-----	(1)	99101-ZH8-1000	6059844
JET, MAIN (#112).....	B	k l m n o p q	-----	-----	1	99101-ZH8-1120	6123319	
JET, MAIN (#110).....	C	k l m n o p q	-----	-----	(1)	99101-ZH8-1100	6123301	
JET, MAIN (#118).....	C	k l m n o p q	-----	-----	1	99101-ZH8-1180	9338062	
28	JET SET, PILOT (#40)	A	a b c d e f g h i j	-----	-----	2	99204-ZE2-0400	3683141
		B	k l m n o p q	-----	-----	2	99204-ZE2-0400	3683141
	JET SET, PILOT (#45)	C	k l m n o p q	-----	-----	2	99204-ZE2-0450	6014385
29	SCREW, FLOAT.....	A	a b c d e f g h i j	-----	-----	1	16081-Z6L-003	9336603
		B C	k l m n o p q	-----	-----	1	16081-Z6L-003	9336603
30	PLATE	A	a b c d e f g h i j	-----	-----	1	16113-Z6L-003	9336645
		B C	k l m n o p q	-----	-----	1	16113-Z6L-003	9336645
31	SCREW-WASHER (5X10)	A	a b c d e f g h i j	-----	-----	1	93892-05010-08	0499855
		B C	k l m n o p q	-----	-----	1	93892-05010-08	0499855

AIR CLEANER



Z9E0E1500

Z9E0E1500

MODEL	TYPE	f=QXC2	l=BDW
A =GX630R	a =QAB	g =QXF6	m =BXF
B =GX660R	b =QAF1	h =QZB2	n =TAF
C =GX690R	c =QDF2	i =QZB3	o =TDW
	d =QDW	j =VXA1	p =TXA2
	e =QXB1	k =BAF	q =TXF7

E-15

Ref	Description	Model	Type	Engine Serial Number		QTY	Part Number	H/C
				From	To			
1	ELEMENT, AIR CLEANER.....	A	a b c d e f g h i j	-----	-----	1	17210-Z6L-000	9337007
		B C	k l m n o p q	-----	-----	1	17210-Z6L-000	9337007
2	HOUSING, AIR CLEANER.....	A	a b c d e f g h i j	-----	-----	1	17220-Z6L-000	9337015
		B C	k l m n o p q	-----	-----	1	17220-Z6L-000	9337015
3	STAY, AIR CLEANER ELEMENT	A	a b c d e f g h i j	-----	-----	1	17223-Z6L-000	9337023
		B C	k l m n o p q	-----	-----	1	17223-Z6L-000	9337023
4	COVER, AIR CLEANER.....	A	a b c d e f g h i j	-----	-----	1	17230-Z6L-000	9337056
		B C	k l m n o p q	-----	-----	1	17230-Z6L-000	9337056
5	GROMMET, AIR CLEANER.....	A	a b c d e f g h i j	-----	-----	1	17232-Z2E-000	8272890
		B C	k l m n o p q	-----	-----	1	17232-Z2E-000	8272890
6	KNOB, AIR CLEANER COVER	A	a b c d e f g h i j	-----	-----	2	17235-Z6L-300	9337064
		B C	k l m n o p q	-----	-----	2	17235-Z6L-300	9337064
7	SPRING, AIR CLEANER HOUSING COVER.....	A	a b c d e f g h i j	-----	-----	2	17236-Z6L-300	9337072
		B C	k l m n o p q	-----	-----	2	17236-Z6L-300	9337072
8	GASKET, AIR CLEANER HOUSING	A	a b c d e f g h i j	-----	-----	1	17417-Z6L-000	9337098
		B C	k l m n o p q	-----	-----	1	17417-Z6L-000	9337098
9	COLLAR, FAN COVER	A	a b c d e f g h i j	-----	-----	4	19619-Z0A-300	9337205
		B C	k l m n o p q	-----	-----	4	19619-Z0A-300	9337205
10	NUT, TOOL BOX SETTING	A	a b c d e f g h i j	-----	-----	1	90325-044-000	0127720
		B C	k l m n o p q	-----	-----	1	90325-044-000	0127720

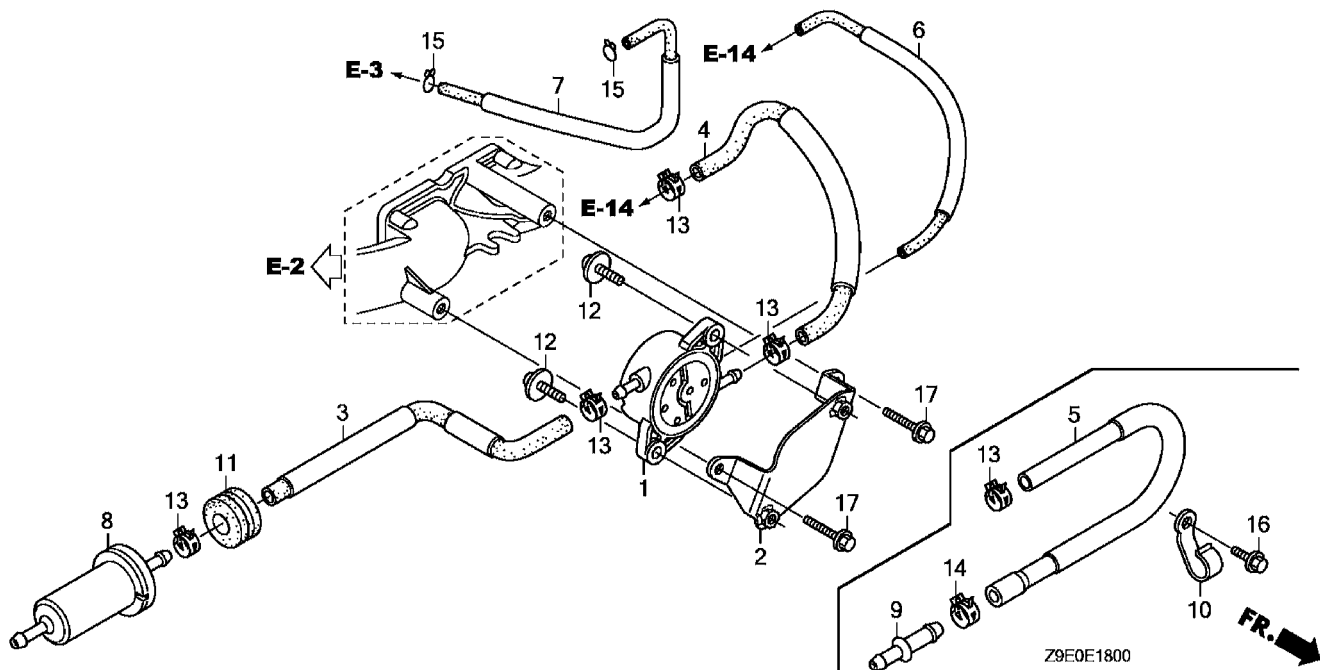
AIR CLEANER

MODEL	TYPE	f=QXC2	l=BDW
A =GX630R	a =QAB	g =QXF6	m =BXF
B =GX660R	b =QAF1	h =QZB2	n =TAF
C =GX690R	c =QDF2	i =QZB3	o =TDW
	d =QDW	j =VXA1	p =TXA2
	e =QXB1	k =BAF	q =TXF7

E-15

Ref	Description	Model	Type	Engine Serial Number		QTY	Part Number	H/C
				From	To			
11	CAP, SEALING.....	A	a b c d e f g h i j	-----	-----	1	90802-Z6L-000	9337965
		B C	k l m n o p q	-----	-----	1	90802-Z6L-000	9337965
12	NUT, FLANGE (6MM).....	A	a b c d e f g h i j	-----	-----	1	94050-06000	0471623
		B C	k l m n o p q	-----	-----	1	94050-06000	0471623
13	BOLT, FLANGE (6X18)	A	a b c d e f g h i j	-----	-----	4	95701-06018-00	2410900
		B C	k l m n o p q	-----	-----	4	95701-06018-00	2410900

FUEL PUMP



Z9E0E1800

MODEL	TYPE	f=QXC2	l=BDW
A =GX630R	a =QAB	g =QXF6	m =BXF
B =GX660R	b =QAF1	h =QZB2	n =TAF
C =GX690R	c =QDF2	i =QZB3	o =TDW
	d =QDW	j =VXA1	p =TXA2
	e =QXB1	k =BAF	q =TXF7

E-18

Ref	Description	Model	Type	Engine Serial Number		QTY	Part Number	H/C
				From	To			
1	PUMP ASSY., FUEL.....	A	a b c d f g h i j	-----	-----	1	16700-Z6L-003	9336884
		B C	k l m n o p q	-----	-----	1	16700-Z6L-003	9336884
2	STAY, FUEL PUMP	A	a b c d f g h i j	-----	-----	1	16711-Z6L-000	9336892
		B C	k l m n o p q	-----	-----	1	16711-Z6L-000	9336892
3	TUBE A, FUEL (FKM).....	A	a b c d e f g h i j	-----	-----	1	16850-Z6L-000	9336926
		B C	k l m n o p q	-----	-----	1	16850-Z6L-000	9336926
4	TUBE B, FUEL (FKM).....	A	a b c d f g h i j	-----	-----	1	16860-Z6L-000	9336934
		B C	k l m n o p q	-----	-----	1	16860-Z6L-000	9336934
5	TUBE B, FUEL (FKM).....	A	e	-----	-----	1	16860-Z6L-800	9336942
6	TUBE, PURGE	A	a b c d f g h i j	-----	-----	1	16870-Z6L-000	9336959
		B C	k l m n o p q	-----	-----	1	16870-Z6L-000	9336959
7	TUBE, DIAPHRAGM	A	a b c d f g h i j	-----	-----	1	16882-Z6L-000	9336967
		B C	k l m n o p q	-----	-----	1	16882-Z6L-000	9336967
8	STRAINER, FUEL	A	a b c d e f g h i j	-----	-----	1	16910-Z6L-003	9336975
		B C	k l m n o p q	-----	-----	1	16910-Z6L-003	9336975
9	JOINT, FUEL RETURN	A	e	-----	-----	1	17526-MCA-000	6617955
10	CLAMP, OIL HOSE	A	e	-----	-----	1	55109-GAA-000	5391461
11	RUBBER, RR. FENDER.....	A	a b c d e f g h i j	-----	-----	1	80152-958-680	1222942
		B C	k l m n o p q	-----	-----	1	80152-958-680	1222942
12	SCREW-WASHER (6X16)	A	a b c d f g h i j	-----	-----	2	93894-06016-00	6227201
		B C	k l m n o p q	-----	-----	2	93894-06016-00	6227201

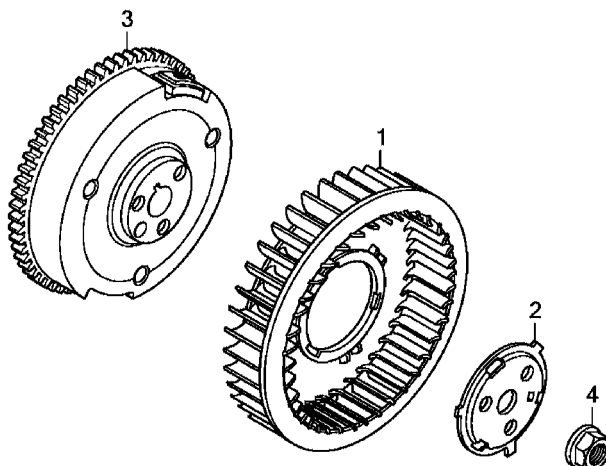
FUEL PUMP

MODEL	TYPE	f=QXC2	l=BDW
A =GX630R	a =QAB	g =QXF6	m =BXF
B =GX660R	b =QAF1	h =QZB2	n =TAF
C =GX690R	c =QDF2	i =QZB3	o =TDW
	d =QDW	j =VXA1	p =TXA2
	e =QXB1	k =BAF	q =TXF7

E-18

Ref	Description	Model	Type	Engine Serial Number		QTY	Part Number	H/C
				From	To			
13	CLAMP, TUBE (D10)	A	a b c d f g h i j	-----	-----	4	95002-41000-08	0660829
		A	e	-----	-----	3	95002-41000-08	0660829
		B	k p q	-----	-----	4	95002-41000-08	0660829
		B	l m n o	-----	-----	3	95002-41000-08	0660829
		C	k l m n o p q	-----	-----	3	95002-41000-08	0660829
14	CLAMP, TUBE (D12)	A	e	-----	-----	1	95002-41200-08	1390988
15	CLIP, TUBE (C11)	A	a b c d f g h i j	-----	-----	2	95002-70000	0053595
		B C	k l m n o p q	-----	-----	2	95002-70000	0053595
16	BOLT, FLANGE (6X12)	A	e	-----	-----	1	95701-06012-00	2105799
17	BOLT, FLANGE (6X14)	A	a b c d f g h i j	-----	-----	2	95701-06014-00	2410884
		B C	k l m n o p q	-----	-----	2	95701-06014-00	2410884

FLYWHEEL



Z9E0E1900



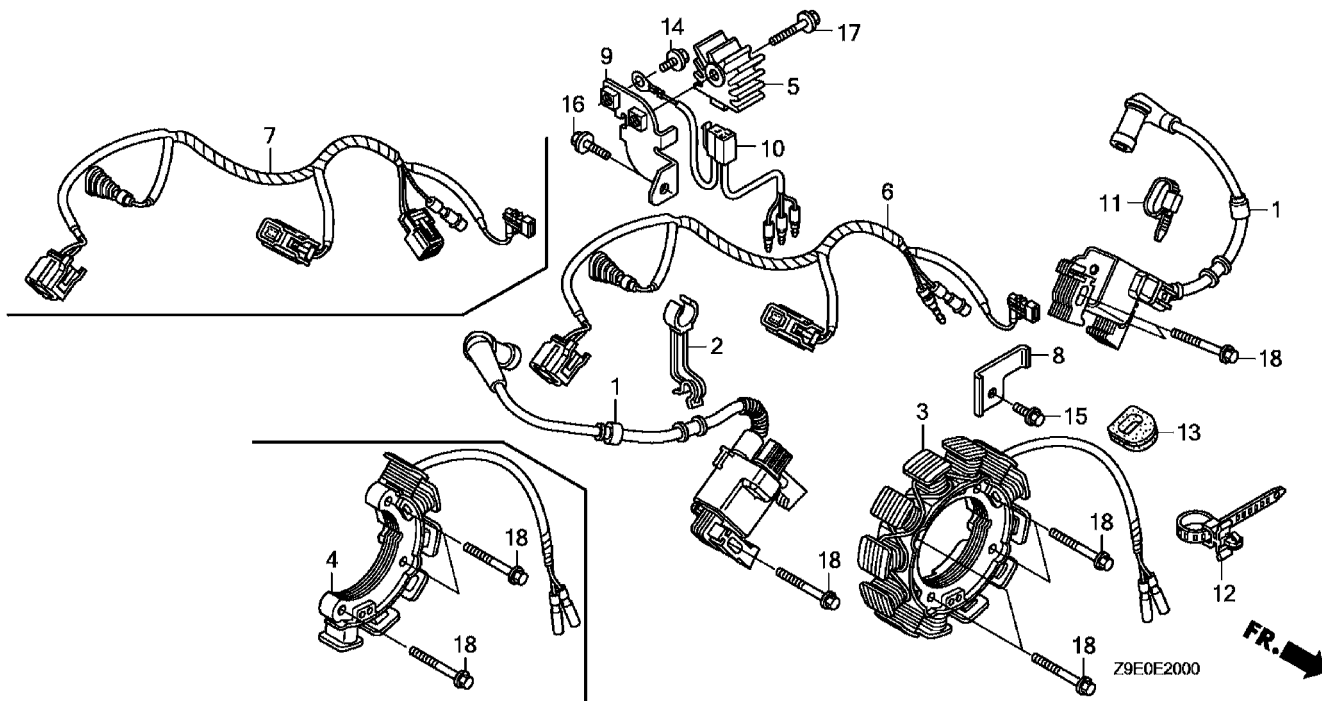
Z9E0E1900

MODEL	TYPE	f=QXC2	l=BDW
A =GX630R	a =QAB	g =QXF6	m =BXF
B =GX660R	b =QAF1	h =QZB2	n =TAF
C =GX690R	c =QDF2	i =QZB3	o =TDW
	d =QDW	j =VXA1	p =TXA2
	e =QXB1	k =BAF	q =TXF7

E-19

Ref	Description	Model	Type	Engine Serial Number		QTY	Part Number	H/C
				From	To			
1	FAN, COOLING	A	a b c d e f g h i j	-----	-----	1	19511-Z6L-000	9337171
		B C	k l m n o p q	-----	-----	1	19511-Z6L-000	9337171
2	PLATE, COOLING FAN SETTING	A	a b c d e f g h i j	-----	-----	1	19513-Z6L-000	9337189
		B C	k l m n o p q	-----	-----	1	19513-Z6L-000	9337189
3	FLYWHEEL	A	a b c d e f g h i j	-----	-----	1	31110-Z6L-003	9337288
		B C	k l m n o p q	-----	-----	1	31110-Z6L-003	9337288
4	NUT, SPECIAL (20MM)	A	a b c d e f g h i j	-----	-----	1	90201-Z6L-000	9337866
		B C	k l m n o p q	-----	-----	1	90201-Z6L-000	9337866

IGNITION COIL



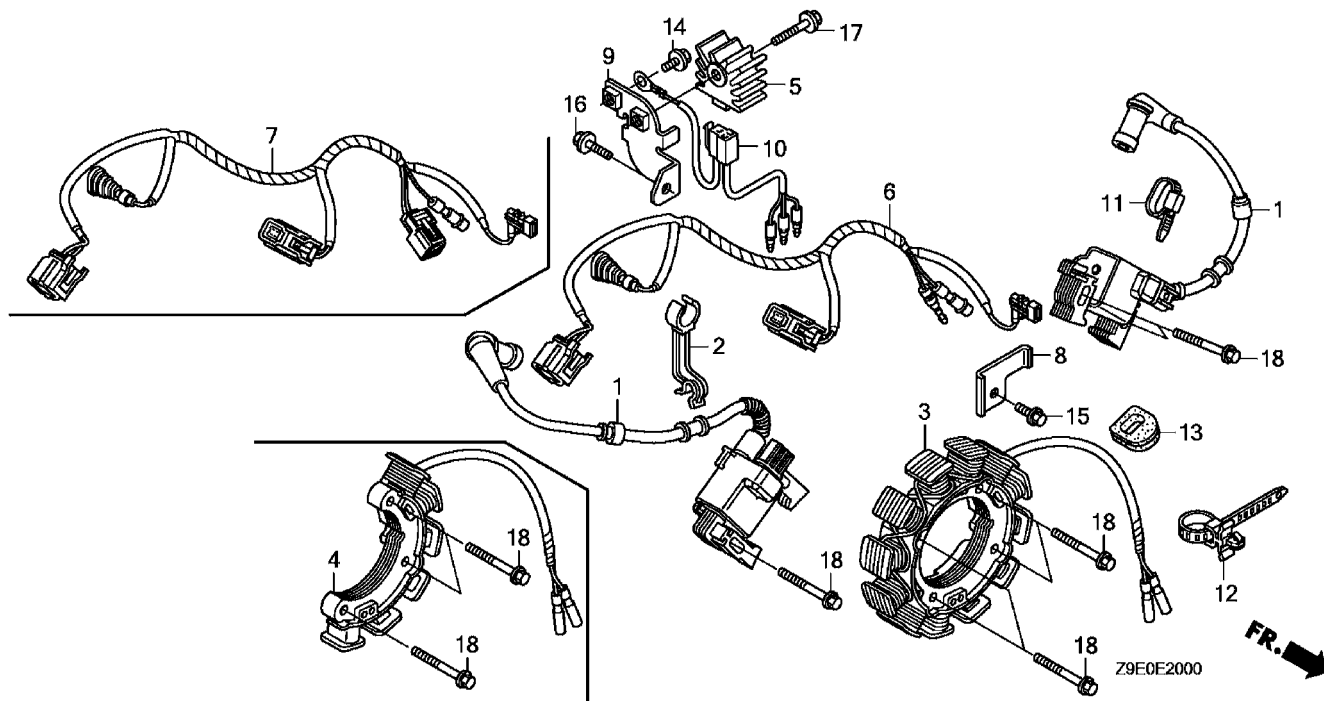
Z9E0E2000

MODEL	TYPE	f=QXC2	l=BDW
A =GX630R	a =QAB	g =QXF6	m =BXF
B =GX660R	b =QAF1	h =QZB2	n =TAF
C =GX690R	c =QDF2	i =QZB3	o =TDW
	d =QDW	j =VXA1	p =TXA2
	e =QXB1	k =BAF	q =TXF7

E-20

Ref	Description	Model	Type	Engine Serial Number		QTY	Part Number	H/C
				From	To			
1	COIL ASSY., IGNITION	A	a b c d e f g h i j	-----	-----	2	30500-Z6L-003	9337262
		B C	k l m n o p q	-----	-----	2	30500-Z6L-003	9337262
2	CLAMP, IGNITION WIRE.....	A	a b c d e f g h i j	-----	-----	1	30551-Z6L-000	9337270
		B C	k l m n o p q	-----	-----	1	30551-Z6L-000	9337270
3	COIL ASSY., CHARGE (17A).....	A	a b c d e g h i	-----	-----	1	31630-Z6L-003	9337353
		B C	k l m n o p q	-----	-----	1	31630-Z6L-003	9337353
4	COIL ASSY., CHARGE (2.7A)	A	f j	-----	-----	1	31630-Z6L-801	9337361
5	RECTIFIER, REGULATOR (5A).....	A	f j	-----	-----	1	31750-735-013	8744617
6	WIRE HARNESS ASSY., ENGINE.....	A	a c d	-----	-----	1	32110-Z6L-000	9337445
		B C	l o	-----	-----	1	32110-Z6L-000	9337445
	WIRE HARNESS ASSY., ENGINE.....	A	e	-----	-----	1	32110-Z6L-800	9337452
7	WIRE HARNESS ASSY., ENGINE.....	A	f j	-----	-----	1	32110-Z6L-810	9337460
		A	g h i	-----	-----	1	32110-Z6L-830	9337478
	WIRE HARNESS ASSY., ENGINE.....	B C	m p q	-----	-----	1	32110-Z6L-830	9337478
	WIRE HARNESS ASSY., ENGINE.....	A	b	-----	-----	1	32110-Z6L-840	9337486
		B C	k n	-----	-----	1	32110-Z6L-840	9337486
8	BRACKET, HARNESS	A	a b c d e f g h i j	-----	-----	1	32114-Z6L-000	9337494
		B C	k l m n o p q	-----	-----	1	32114-Z6L-000	9337494
9	BRACKET, REGULATOR RECTIFIER	A	f j	-----	-----	1	32115-Z6L-000	9337502

IGNITION COIL



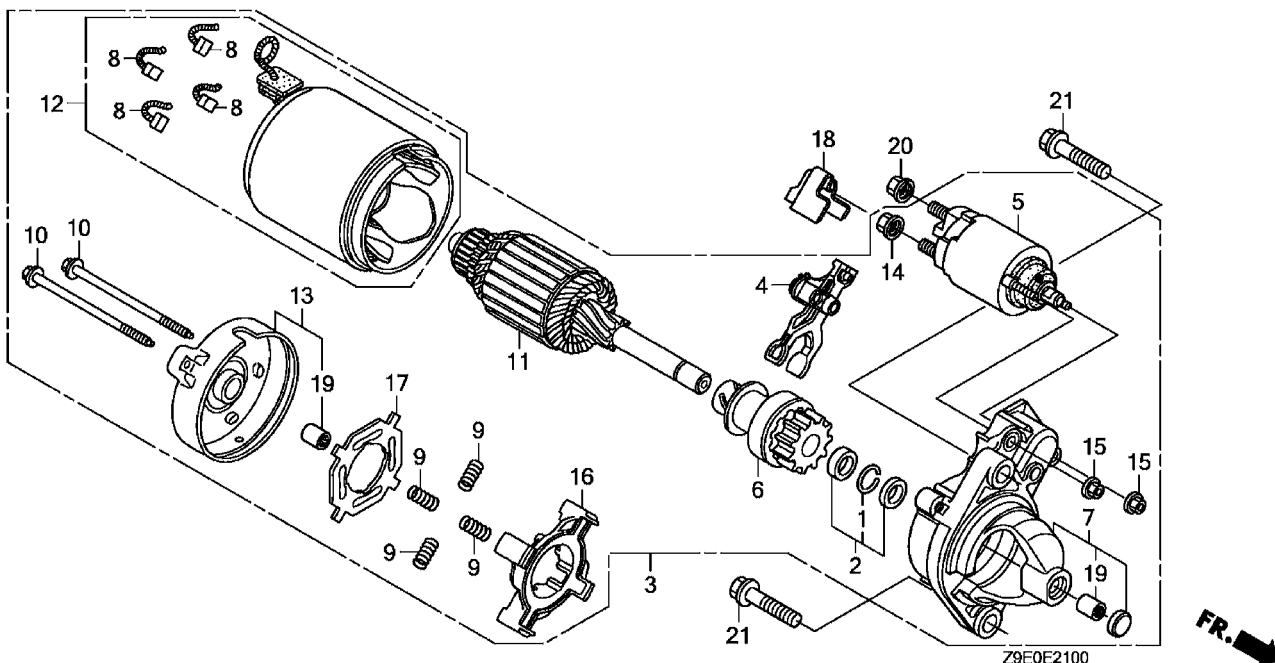
Z9E0E2000

MODEL	TYPE	f=QXC2	l=BDW
A =GX630R	a =QAB	g =QXF6	m =BXF
B =GX660R	b =QAF1	h =QZB2	n =TAF
C =GX690R	c =QDF2	i =QZB3	o =TDW
	d =QDW	j =VXA1	p =TXA2
	e =QXB1	k =BAF	q =TXF7

E-20

Ref	Description	Model	Type	Engine Serial Number		QTY	Part Number	H/C
				From	To			
10	HARNESS ASSY., REGULATOR RECTIFIER.....	A	f j	-----	-----	1	32183-Z6L-000	9337510
11	BAND, WIRE (95MM).....	A	a b c d e f g h i j	-----	-----	1	90650-KV6-003	2687788
		B C	k l m n o p q	-----	-----	1	90650-KV6-003	2687788
12	STRAP, CABLE (105MM) (BLACK)	A	a c d e	-----	-----	1	90672-SB2-003	1685536
		B C	l o	-----	-----	1	90672-SB2-003	1685536
13	GROMMET, CORD	A	a b c d e f g h i j	-----	-----	1	91601-Z6L-000	9338054
		B C	k l m n o p q	-----	-----	1	91601-Z6L-000	9338054
14	BOLT, FLANGE (6X8)	A	f j	-----	-----	1	95701-06008-00	2581353
15	BOLT, FLANGE (6X12)	A	a b c d e f g h i j	-----	-----	1	95701-06012-00	2105799
		B C	k l m n o p q	-----	-----	1	95701-06012-00	2105799
16	BOLT, FLANGE (6X14)	A	f j	-----	-----	1	95701-06014-00	2410884
17	BOLT, FLANGE (6X30)	A	f j	-----	-----	1	95701-06030-00	2401222
18	BOLT, FLANGE (6X32)	A	a b c d e g h i	-----	-----	8	95701-06032-00	2105856
		A	f j	-----	-----	7	95701-06032-00	2105856
		B	k l m n o p q	-----	-----	8	95701-06032-00	2105856
		C	k p q	-----	-----	8	95701-06032-00	2105856
		C	l m n o	-----	-----	7	95701-06032-00	2105856

STARTER MOTOR



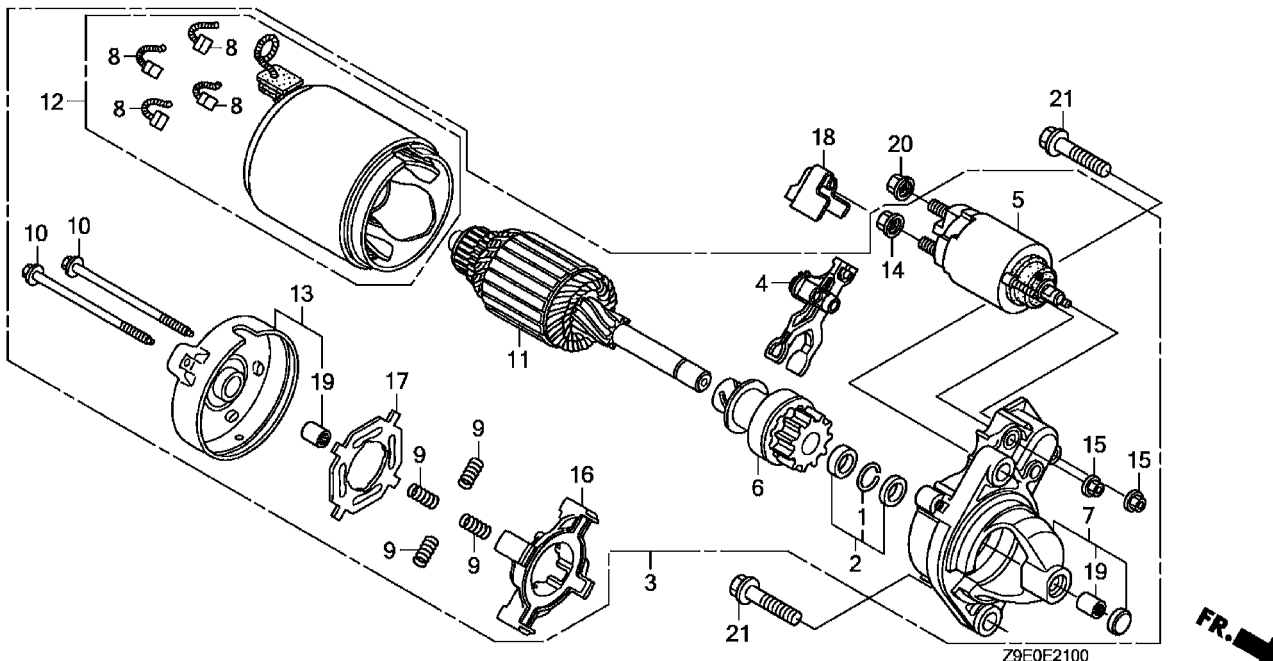
Z9E0E2100

MODEL	TYPE	f=QXC2	l=BDW
A =GX630R	a =QAB	g =QXF6	m =BXF
B =GX660R	b =QAF1	h =QZB2	n =TAF
C =GX690R	c =QDF2	i =QZB3	o =TDW
	d =QDW	j =VXA1	p =TXA2
	e =QXB1	k =BAF	q =TXF7

E-21

Ref	Description	Model	Type	Engine Serial Number		QTY	Part Number	H/C
				From	To			
1	RING, SNAP (DENSO).....	A	a b c d e f g h i j	-----	-----	1	30201-PH9-004	3508322
		B C	k l m n o p q	-----	-----	1	30201-PH9-004	3508322
2	COLLAR SET, CLUTCH STOP	A	a b c d e f g h i j	-----	-----	1	30202-PZ1-003	4840666
		B C	k l m n o p q	-----	-----	1	30202-PZ1-003	4840666
3	STARTER MOTOR ASSY.....	A	a b c d e f g h i j	-----	-----	1	31200-Z6L-003	9337296
		B C	k l m n o p q	-----	-----	1	31200-Z6L-003	9337296
4	LEVER, PINION DRIVE	A	a b c d e f g h i j	-----	-----	1	31203-PH9-004	4840831
		B C	k l m n o p q	-----	-----	1	31203-PH9-004	4840831
5	SWITCH ASSY., MAGNET.....	A	a b c d e f g h i j	-----	-----	1	31204-ZJ1-H02	8677460
		B C	k l m n o p q	-----	-----	1	31204-ZJ1-H02	8677460
6	CLUTCH, OVERRUNNING	A	a b c d e f g h i j	-----	-----	1	31207-ZE9-H01	7874415
		B C	k l m n o p q	-----	-----	1	31207-ZE9-H01	7874415
7	HOUSING, DRIVE SIDE.....	A	a b c d e f g h i j	-----	-----	1	31208-Z6L-003	9337304
		B C	k l m n o p q	-----	-----	1	31208-Z6L-003	9337304
8	BRUSH.....	A	a b c d e f g h i j	-----	-----	4	31211-PH9-004	3620366
		B C	k l m n o p q	-----	-----	4	31211-PH9-004	3620366
9	SPRING, BRUSH	A	a b c d e f g h i j	-----	-----	4	31212-PH9-004	3508439
		B C	k l m n o p q	-----	-----	4	31212-PH9-004	3508439
10	BOLT, THROUGH	A	a b c d e f g h i j	-----	-----	2	31214-PH9-004	3508454
		B C	k l m n o p q	-----	-----	2	31214-PH9-004	3508454
11	ARMATURE	A	a b c d e f g h i j	-----	-----	1	31217-Z0A-003	6605620

STARTER MOTOR



Z9E0E2100

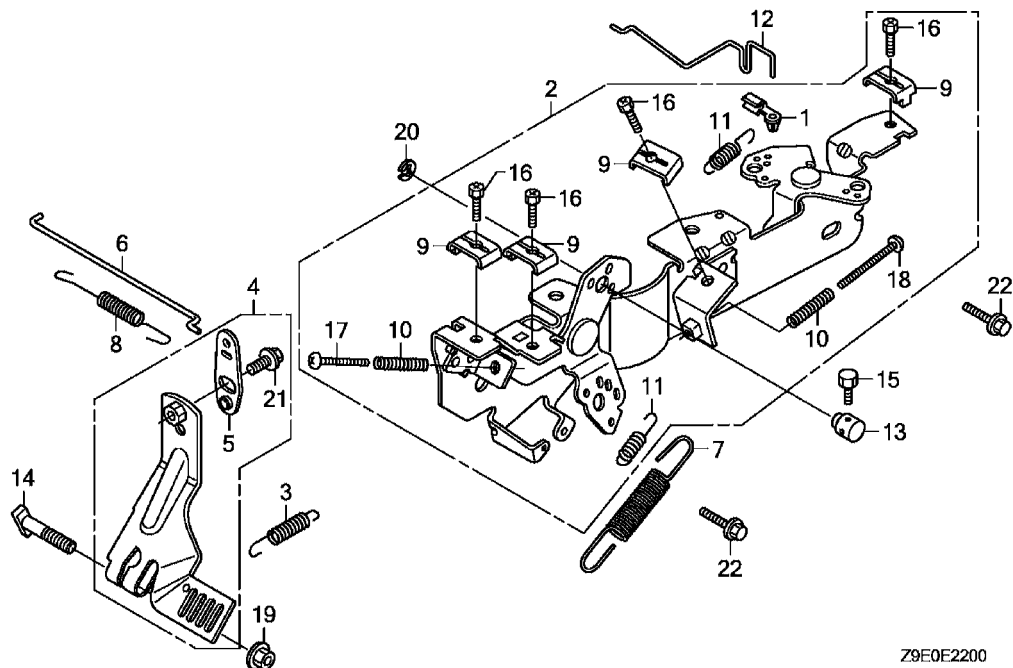
MODEL	TYPE	f=QXC2	l=BDW
A =GX630R	a =QAB	g =QXF6	m =BXF
B =GX660R	b =QAF1	h =QZB2	n =TAF
C =GX690R	c =QDF2	i =QZB3	o =TDW
	d =QDW	j =VXA1	p =TXA2
	e =QXB1	k =BAF	q =TXF7

E-21

Ref	Description	Model	Type	Engine Serial Number		QTY	Part Number	H/C
				From	To			
11	ARMATURE	B C	k l m n o p q	-----	-----	1	31217-Z0A-003	6605620
12	YOKE	A	a b c d e f g h i j	-----	-----	1	31218-P64-N01	4840898
		B C	k l m n o p q	-----	-----	1	31218-P64-N01	4840898
13	FRAME, COMMUTATOR END	A	a b c d e f g h i j	-----	-----	1	31219-Z6L-003	9337312
		B C	k l m n o p q	-----	-----	1	31219-Z6L-003	9337312
14	NUT, HEX. (8MM).....	A	a b c d e f g h i j	-----	-----	1	31220-PH9-004	3508470
		B C	k l m n o p q	-----	-----	1	31220-PH9-004	3508470
15	NUT, HEX.	A	a b c d e f g h i j	-----	-----	2	31223-PA0-006	0839688
		B C	k l m n o p q	-----	-----	2	31223-PA0-006	0839688
16	HOLDER, BRUSH	A	a b c d e f g h i j	-----	-----	1	31231-PH9-004	3508496
		B C	k l m n o p q	-----	-----	1	31231-PH9-004	3508496
17	INSULATOR, BRUSH HOLDER.....	A	a b c d e f g h i j	-----	-----	1	31233-PH9-004	3508504
		B C	k l m n o p q	-----	-----	1	31233-PH9-004	3508504
18	COVER, TERMINAL.....	A	a b c d e f g h i j	-----	-----	1	31234-Z6L-000	9337320
		B C	k l m n o p q	-----	-----	1	31234-Z6L-000	9337320
19	BEARING A	A	a b c d e f g h i j	-----	-----	2	91002-ZG4-801	3509684
		B C	k l m n o p q	-----	-----	2	91002-ZG4-801	3509684
20	NUT-WASHER (8MM)	A	a b c d e f g h i j	-----	-----	1	94070-08080	0612697
		B C	k l m n o p q	-----	-----	1	94070-08080	0612697
21	BOLT, FLANGE (10X40)	A	a b c d e f g h i j	-----	-----	2	95701-10040-00	2756310
		B C	k l m n o p q	-----	-----	2	95701-10040-00	2756310

CONTROL

FR.



Z9E0E2200

Z9E0E2200

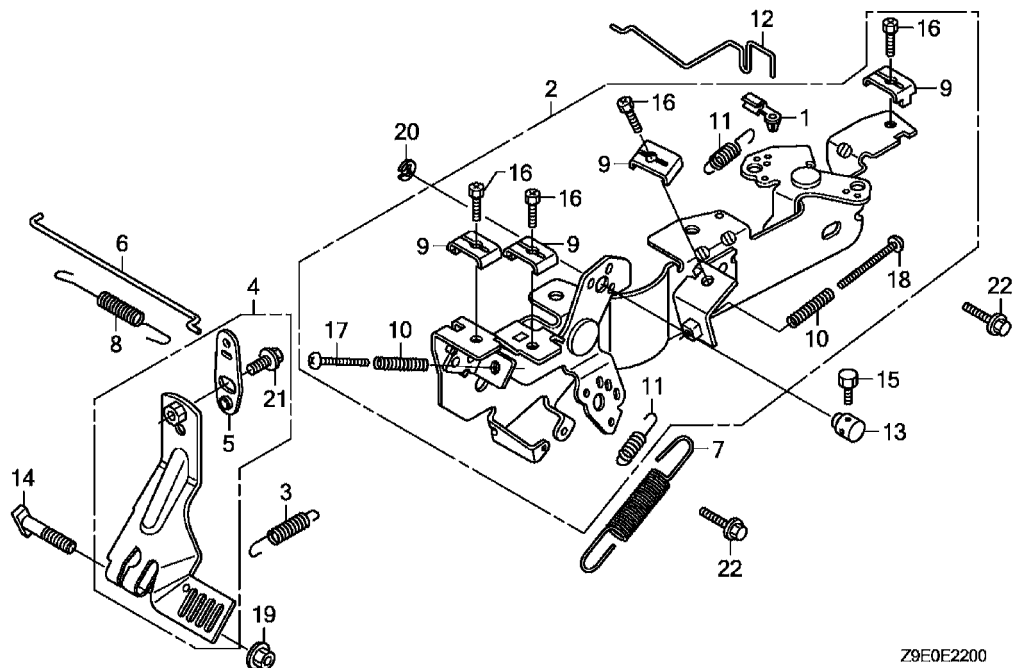
MODEL	TYPE	f=QXC2	l=BDW
A =GX630R	a =QAB	g =QXF6	m =BXF
B =GX660R	b =QAF1	h =QZB2	n =TAF
C =GX690R	c =QDF2	i =QZB3	o =TDW
	d =QDW	j =VXA1	p =TXA2
	e =QXB1	k =BAF	q =TXF7

E-22

Ref	Description	Model	Type	Engine Serial Number		QTY	Part Number	H/C
				From	To			
1	JOINT, ROD	A	a b c d e f g h i j	-----	-----	1	16263-Z0G-010	6836126
		B C	k l m n o p q	-----	-----	1	16263-Z0G-010	6836126
2	CONTROL ASSY.....	A	a b c d e f g h i j	-----	-----	1	16500-Z6L-000	9336736
		B C	k l m n o p q	-----	-----	1	16500-Z6L-000	9336736
3	SPRING, STARTER.....	A	a b c d e f g h i j	-----	-----	1	16534-Z6L-000	9336793
		B C	k l m n o p q	-----	-----	1	16534-Z6L-000	9336793
4	ARM, GOVERNOR.....	A	a b c d e f g h i j	-----	-----	1	16550-Z6L-000	9336819
		B C	k l m n o p q	-----	-----	1	16550-Z6L-000	9336819
5	ARM, SUB	A	a b c d e f g h i j	-----	-----	1	16553-Z6L-000	9336827
		B C	k l m n o p q	-----	-----	1	16553-Z6L-000	9336827
6	ROD, GOVERNOR.....	A	a b c d e f g h i j	-----	-----	1	16555-Z6L-000	9336835
		B C	k l m n o p q	-----	-----	1	16555-Z6L-000	9336835
7	SPRING, GOVERNOR.....	A	a b c d e f g h i j	-----	-----	1	16561-Z6L-000	9336843
		B C	k l m n o p q	-----	-----	1	16561-Z6L-000	9336843
8	SPRING, THROTTLE RETURN.....	A	a b c d e f g h i j	-----	-----	1	16562-Z6L-000	9336850
		B C	k l m n o p q	-----	-----	1	16562-Z6L-000	9336850
9	HOLDER, CABLE.....	A	a b c d e f g h i j	-----	-----	4	16576-891-000	0800466
		B C	k l m n o p q	-----	-----	4	16576-891-000	0800466
10	SPRING, CONTROL ADJUSTING.....	A	a b c d e f g h i j	-----	-----	2	16584-883-300	0636431
		B	k l m p q	-----	-----	2	16584-883-300	0636431
		B	n o	-----	-----	1	16584-883-300	0636431
		C	k l m n o p q	-----	-----	1	16584-883-300	0636431

CONTROL

FR.



Z9E0E2200

Z9E0E2200

MODEL	TYPE	f=QXC2	l=BDW
A=GX630R	a=QAB	g=QXF6	m=BXF
B=GX660R	b=QAF1	h=QZB2	n=TAF
C=GX690R	c=QDF2	i=QZB3	o=TDW
	d=QDW	j=VXA1	p=TXA2
	e=QXB1	k=BAF	q=TXF7

E-22

Ref	Description	Model	Type	Engine Serial Number		QTY	Part Number	H/C
				From	To			
11	SPRING, CABLE RETURN	A	a b c d e f g h i j	-----	-----	2	16592-ZJ1-000	4209581
		B C	k l m n o p q	-----	-----	2	16592-ZJ1-000	4209581
12	ROD, CHOKE CONTROL	A	a b c d e f g h i j	-----	-----	1	16611-Z6L-000	9336868
		B C	k l m n o p q	-----	-----	1	16611-Z6L-000	9336868
13	HOLDER, CABLE.....	A	b f g h i j	-----	-----	1	16617-Z6L-000	9336876
		B C	k m n p q	-----	-----	1	16617-Z6L-000	9336876
14	BOLT, GOVERNOR ARM	A	a b c d e f g h i j	-----	-----	1	90015-ZE3-790	2560852
		B C	k l m n o p q	-----	-----	1	90015-ZE3-790	2560852
15	BOLT, RECESSED (4X6).....	A	b f g h i j	-----	-----	1	92301-04006-0H	6403372
		B C	k m n p q	-----	-----	1	92301-04006-0H	6403372
16	BOLT, RECESSED (5X16).....	A	a b c d e f g h i j	-----	-----	4	92301-05016-0A	3509742
		B C	k l m n o p q	-----	-----	4	92301-05016-0A	3509742
17	SCREW, PAN (5X30).....	A	a b c d e f g h i j	-----	-----	1	93500-05030-0A	0198408
		B C	k l m n o p q	-----	-----	1	93500-05030-0A	0198408
18	SCREW, PAN (5X40).....	A	a b c d e f g h i j	-----	-----	1	93500-05040-0A	0171835
		B C	k l m n o p q	-----	-----	1	93500-05040-0A	0171835
19	NUT, FLANGE (6MM).....	A	a b c d e f g h i j	-----	-----	1	94050-06000	0471623
		B C	k l m n o p q	-----	-----	1	94050-06000	0471623
20	E-RING (5MM)	A	b f g h i j	-----	-----	1	94540-05018	2016400
		B C	k m n p q	-----	-----	1	94540-05018	2016400
21	BOLT, FLANGE (6X10)	A	a b c d e f g h i j	-----	-----	1	95701-06010-00	2410876

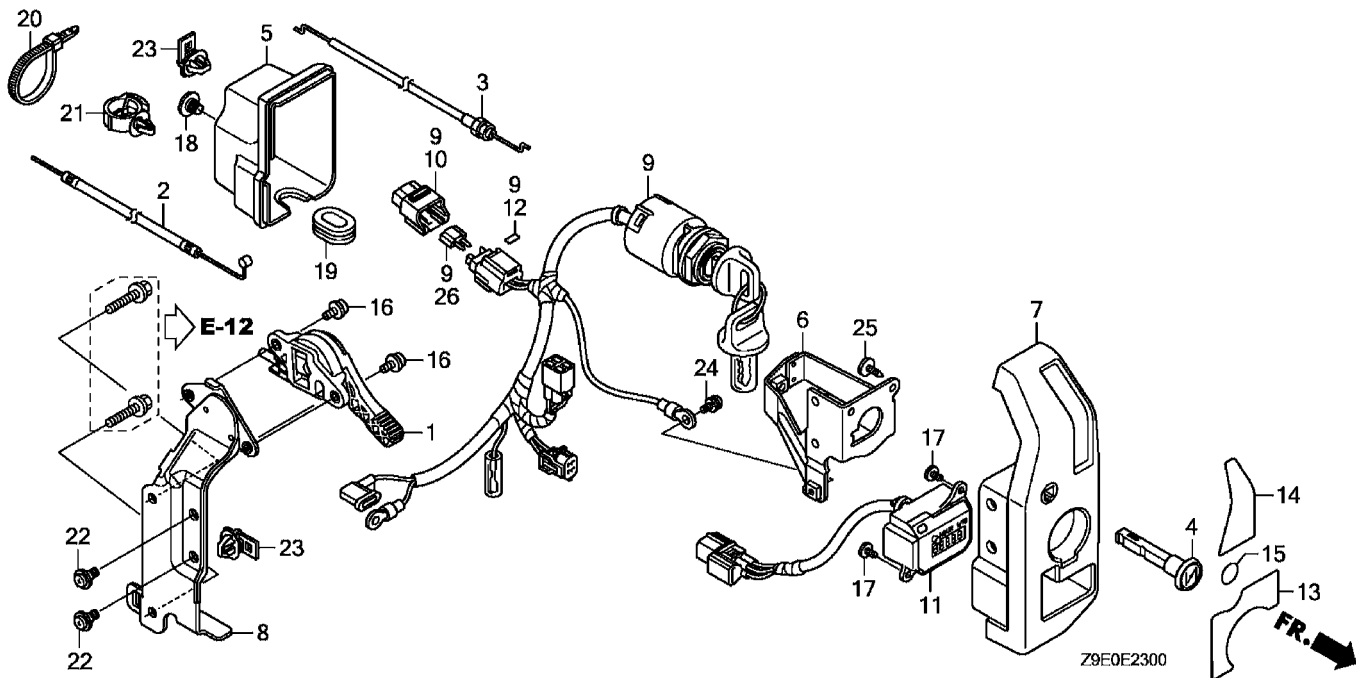
CONTROL

MODEL	TYPE	f=QXC2	l=BDW
A =GX630R	a =QAB	g =QXF6	m =BXF
B =GX660R	b =QAF1	h =QZB2	n =TAF
C =GX690R	c =QDF2	i =QZB3	o =TDW
	d =QDW	j =VXA1	p =TXA2
	e =QXB1	k =BAF	q =TXF7

E-22

Ref	Description	Model	Type	Engine Serial Number		QTY	Part Number	H/C
				From	To			
21	BOLT, FLANGE (6X10)	B C	k l m n o p q	-----	-----	1	95701-06010-00	2410876
22	BOLT, FLANGE (6X14)	A	a b c d e f g h i j	-----	-----	2	95701-06014-00	2410884
		B C	k l m n o p q	-----	-----	2	95701-06014-00	2410884

CONTROL BOX



Z9E0E2300

MODEL	TYPE	f=QXC2	l=BDW
A=GX630R	a=QAB	g=QXF6	m=BXF
B=GX660R	b=QAF1	h=QZB2	n=TAF
C=GX690R	c=QDF2	i=QZB3	o=TDW
	d=QDW	j=VXA1	p=TXA2
	e=QXB1	k=BAF	q=TXF7

E-23

Ref	Description	Model	Type	Engine Serial Number		QTY	Part Number	H/C
				From	To			
1	LEVER ASSY., THROTTLE	A	b f g h i j	-----	-----	1	17850-Z6L-003	9337114
		B C	k m n p q	-----	-----	1	17850-Z6L-003	9337114
2	CABLE, THROTTLE.....	A	b f g h i j	-----	-----	1	17910-Z6L-000	9337122
		B C	k m n p q	-----	-----	1	17910-Z6L-000	9337122
3	CABLE, CHOKE.....	A	b f g h i j	-----	-----	1	17950-Z6L-000	9337130
		B C	k m n p q	-----	-----	1	17950-Z6L-000	9337130
4	KNOB, CHOKE.....	A	b f g h i j	-----	-----	1	17951-ZV1-000	1984426
		B C	k m n p q	-----	-----	1	17951-ZV1-000	1984426
5	COVER, CONTROL	A	b f g h i j	-----	-----	1	31612-Z6L-000	9337338
		B C	k m n p q	-----	-----	1	31612-Z6L-000	9337338
6	BRACKET, SWITCH BOX	A	b f g h i j	-----	-----	1	31614-Z6L-000	9337346
		B C	k m n p q	-----	-----	1	31614-Z6L-000	9337346
7	PANEL, CONTROL	A	b f g h i j	-----	-----	1	32346-Z6L-000	9337528
		B C	k m n p q	-----	-----	1	32346-Z6L-000	9337528
8	BRACKET, CONTROL BOX.....	A	b f g h i j	-----	-----	1	32347-Z6L-000	9337536
		B C	k m n p q	-----	-----	1	32347-Z6L-000	9337536
9	SWITCH ASSY., COMBINATION.....	A	b f g h i j	-----	-----	1	35100-Z6L-003	9337593
		B C	k m n p q	-----	-----	1	35100-Z6L-003	9337593
10	COVER ASSY., FUSE	A	b f g h i j	-----	-----	1	38216-Z2E-003	8273641
		B C	k m n p q	-----	-----	1	38216-Z2E-003	8273641
11	METER ASSY., HOUR.....	A	b f g h i j	-----	-----	1	39700-Z6L-003	9337619

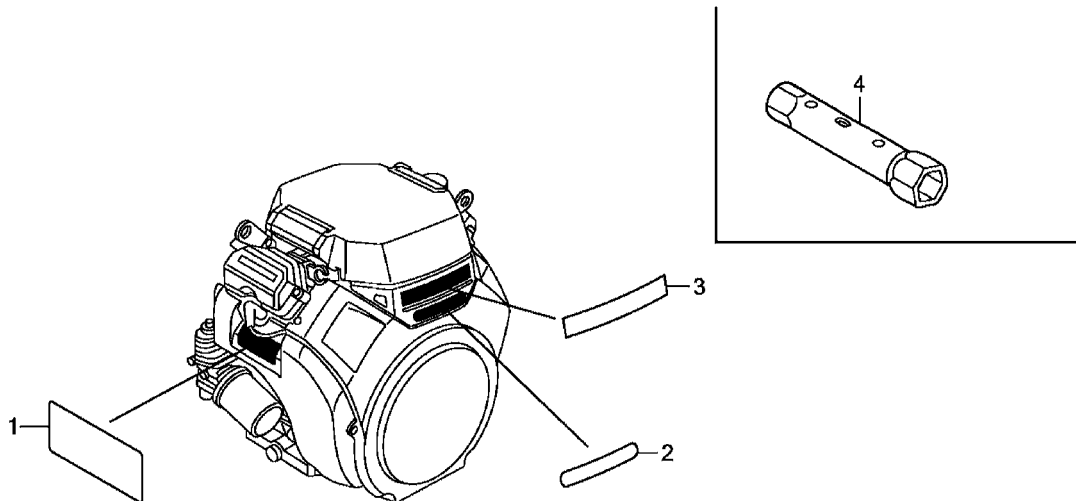
CONTROL BOX

MODEL	TYPE	f=QXC2	l=BDW
A=GX630R	a=QAB	g=QXF6	m=BXF
B=GX660R	b=QAF1	h=QZB2	n=TAF
C=GX690R	c=QDF2	i=QZB3	o=TDW
	d=QDW	j=VXA1	p=TXA2
	e=QXB1	k=BAF	q=TXF7

E-23

Ref	Description	Model	Type	Engine Serial Number		QTY	Part Number	H/C
				From	To			
11	METER ASSY., HOUR.....	B C	k m n p q	-----	-----	1	39700-Z6L-003	9337619
12	LABEL, FUSE (30A).....	A	b f g h i j	-----	-----	1	87117-Z2E-800	8273716
		B C	k m n p q	-----	-----	1	87117-Z2E-800	8273716
13	MARK, ENGINE SWITCH	A	f g h i j	-----	-----	1	87501-Z6L-000	9337718
		B C	m p q	-----	-----	1	87501-Z6L-000	9337718
	MARK, ENGINE SWITCH	A	b	-----	-----	1	87501-Z6L-800	9337726
		B C	k n	-----	-----	1	87501-Z6L-800	9337726
14	MARK, THROTTLE SWITCH.....	A	b f g h i j	-----	-----	1	87502-Z6L-000	9337734
		B C	k m n p q	-----	-----	1	87502-Z6L-000	9337734
16	BOLT, SOCKET (5X9)	A	b f g h i j	-----	-----	2	90011-Z0H-811	7451560
		B C	k m n p q	-----	-----	2	90011-Z0H-811	7451560
17	SCREW, TAPPING (3X8) (PO)	A	b f g h i j	-----	-----	2	90101-SP1-003	3674405
		B C	k m n p q	-----	-----	2	90101-SP1-003	3674405
18	SCREW, SPECIAL (6X8)	A	b f g h i j	-----	-----	1	90380-MB2-000	1425271
		B C	k m n p q	-----	-----	1	90380-MB2-000	1425271
19	GROMMET, CONTROL BOX.....	A	b f g h i j	-----	-----	1	90601-Z6L-000	9337916
		B C	k m n p q	-----	-----	1	90601-Z6L-000	9337916
20	BAND, WIRE (95MM).....	A	b f g h i j	-----	-----	1	90650-KV6-003	2687788
		B C	k m n p q	-----	-----	1	90650-KV6-003	2687788
21	CLIP, WIRE HARNESS	A	b f g h i j	-----	-----	1	90681-763-A01	3177292
		B C	k m n p q	-----	-----	1	90681-763-A01	3177292
22	SCREW, PAN (5X10.5)	A	b f g h i j	-----	-----	2	91508-GN2-000	1938315
		B C	k m n p q	-----	-----	2	91508-GN2-000	1938315
23	CLIP, CONNECTOR (BLACK)	A	b f g h i j	-----	-----	2	91565-SEL-003	7386865
		B C	k m n p q	-----	-----	2	91565-SEL-003	7386865
24	SCREW-WASHER (5X8)	A	b f g h i j	-----	-----	1	93893-05008-07	3473519
		B C	k m n p q	-----	-----	1	93893-05008-07	3473519
25	SCREW, TAPPING (5X14) (PO)	A	b f g h i j	-----	-----	1	93913-25310	7451594
		B C	k m n p q	-----	-----	1	93913-25310	7451594
26	FUSE, MINI (30A).....	A	b f g h i j	-----	-----	1	98200-43000	5359666
		B C	k m n p q	-----	-----	1	98200-43000	5359666

LABEL • TOOL



Z9E0E2800

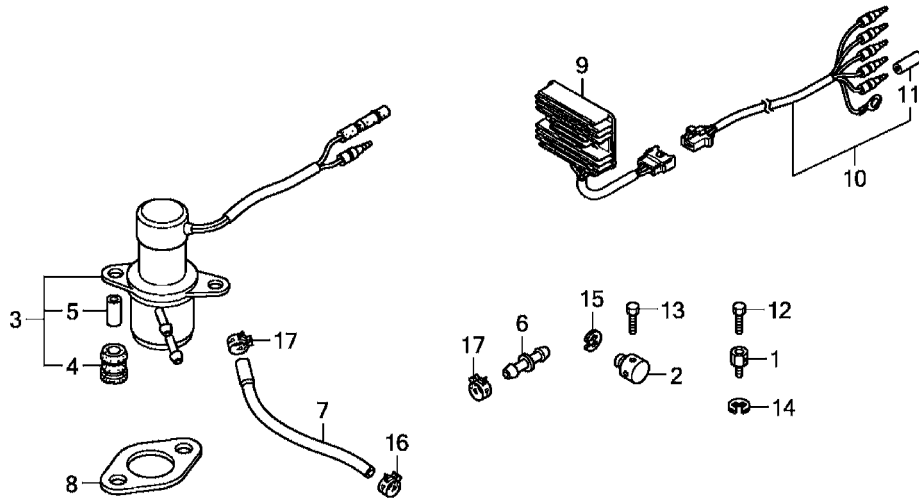
Z9E0E2800

MODEL	TYPE	f =QXC2	l =BDW
A =GX630R	a =QAB	g =QXF6	m =BXF
B =GX660R	b =QAF1	h =QZB2	n =TAF
C =GX690R	c =QDF2	i =QZB3	o =TDW
	d =QDW	j =VXA1	p =TXA2
	e =QXB1	k =BAF	q =TXF7

E-28

Ref	Description	Model	Type	Engine Serial Number		QTY	Part Number	H/C
				From	To			
1	MARK, OPERATOR CAUTION	A	a b c d e f g h i j	-----	-----	1	87516-ZH7-010	9337742
		B C	k l m n o p q	-----	-----	1	87516-ZH7-010	9337742
2	EMBLEM (GX630)	A	a b c d e f g h i j	-----	-----	1	87521-Z6N-000	9337783
		B	k l m n o p q	-----	-----	1	87521-Z8N-000	9337791
				-----	-----	1	87521-Z6L-000	9337775
3	MARK, HONDA	A	a b c d e f g h i j	-----	-----	1	87531-Z6L-000	9337809
		B C	k l m n o p q	-----	-----	1	87531-Z6L-000	9337809

OTHER PARTS (FUEL PUMP) (REGULATOR RECTIFIER)



Z9E0E4000

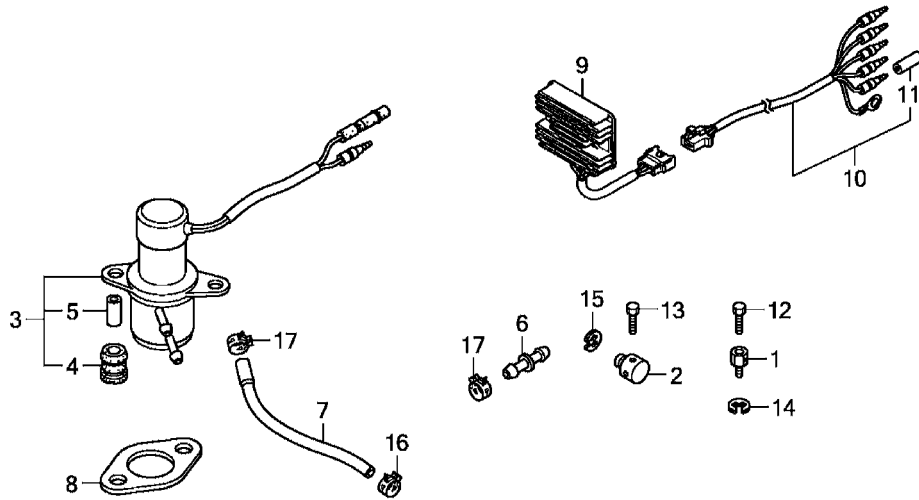
Z9E0E4000

MODEL	TYPE	f=QXC2	l=BDW
A =GX630R	a =QAB	g =QXF6	m =BXF
B =GX660R	b =QAF1	h =QZB2	n =TAF
C =GX690R	c =QDF2	i =QZB3	o =TDW
	d =QDW	j =VXA1	p =TXA2
	e =QXB1	k =BAF	q =TXF7

E-40

Ref	Description	Model	Type	Engine Serial Number		QTY	Part Number	H/C
				From	To			
1	HOLDER, WIRE	A	a c d e	-----	-----	1	16594-883-010	2686558
		B C	l o	-----	-----	1	16594-883-010	2686558
2	HOLDER, CABLE.....	A	a c d e	-----	-----	1	16617-Z6L-000	9336876
		B C	l o	-----	-----	1	16617-Z6L-000	9336876
8	GASKET, EX. PIPE	A	a b c d e f g h i j	-----	-----	2	18333-ZE3-800	3520194
		B C	k l m n o p q	-----	-----	2	18333-ZE3-800	3520194
	GASKET, EX. PIPE	A	a b c d e f g h i j	-----	-----	2	18333-ZK6-Y00	5164199
		B C	k l m n o p q	-----	-----	2	18333-ZK6-Y00	5164199
9	RECTIFIER ASSY., REGULATOR (20A)....	A	a b c d e g h i	-----	-----	1	31750-Z2E-803	9337379
		B C	k l m n o p q	-----	-----	1	31750-Z2E-803	9337379
10	SUB-WIRE HARNESS ASSY.	A	a b c d e g h i	-----	-----	1	32105-Z6L-000	9337437
		B C	k l m n o p q	-----	-----	1	32105-Z6L-000	9337437
11	PLUG, CONNECTOR (OUTER).....	A	a b c d e g h i	-----	-----	1	32824-ZV5-003	7206998
		B C	k l m n o p q	-----	-----	1	32824-ZV5-003	7206998
12	BOLT, RECESSED (4X6).....	A	a c d e	-----	-----	1	92301-04006-0H	6403372
		B C	l o	-----	-----	1	92301-04006-0H	6403372
13	BOLT, RECESSED (4X6).....	A	a c d e	-----	-----	1	92301-04006-0H	6403372
		B C	l o	-----	-----	1	92301-04006-0H	6403372
14	E-RING (5MM)	A	a c d e	-----	-----	1	94540-05018	2016400
		B C	l o	-----	-----	1	94540-05018	2016400
15	E-RING (5MM)	A	a c d e	-----	-----	1	94540-05018	2016400

OTHER PARTS (FUEL PUMP) (REGULATOR RECTIFIER)



Z9E0E4000

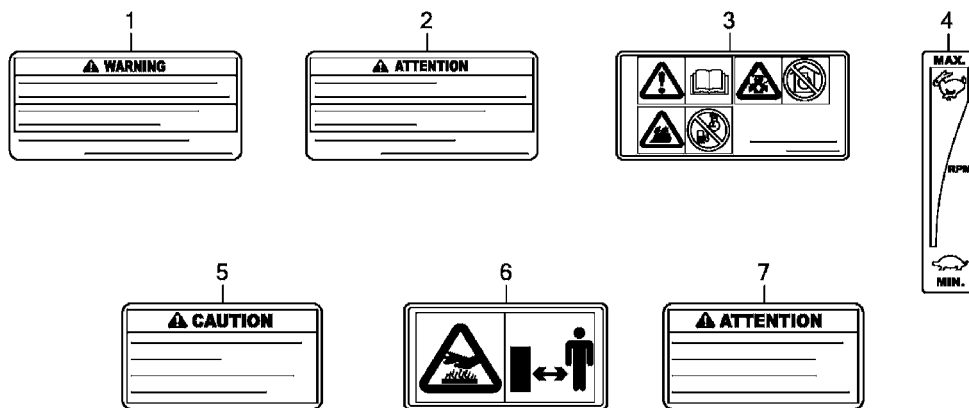
Z9E0E4000

MODEL	TYPE	f=QXC2	l=BDW
A =GX630R	a =QAB	g =QXF6	m =BXF
B =GX660R	b =QAF1	h =QZB2	n =TAF
C =GX690R	c =QDF2	i =QZB3	o =TDW
	d =QDW	j =VXA1	p =TXA2
	e =QXB1	k =BAF	q =TXF7

E-40

Ref	Description	Model	Type	Engine Serial Number		QTY	Part Number	H/C
				From	To			
15	E-RING (5MM)	B C	1 0	-----	-----	1	94540-05018	2016400

OTHER PARTS (LABEL)



Z9E0E4001

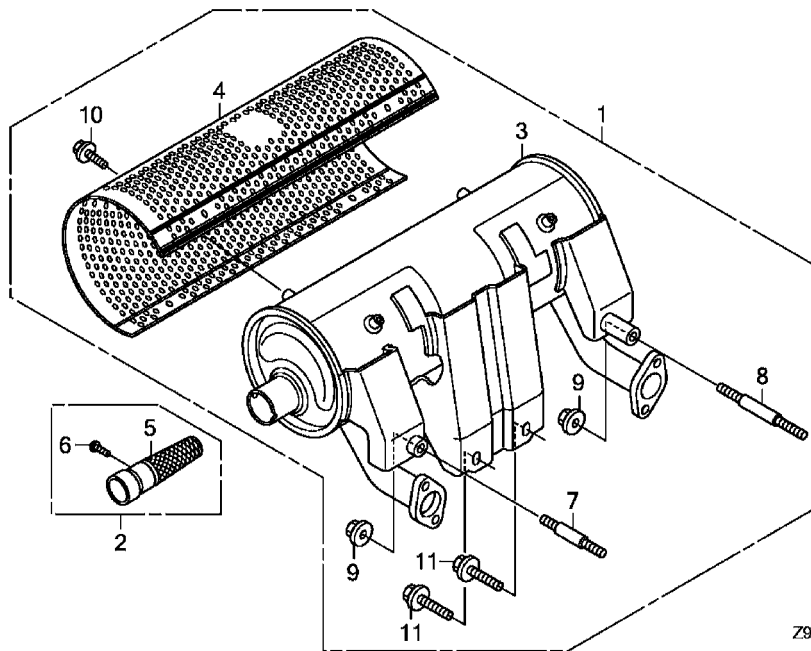
Z9E0E4001

MODEL	TYPE	f=QXC2	l=BDW
A =GX630R	a =QAB	g =QXF6	m =BXF
B =GX660R	b =QAF1	h =QZB2	n =TAF
C =GX690R	c =QDF2	i =QZB3	o =TDW
	d =QDW	j =VXA1	p =TXA2
	e =QXB1	k =BAF	q =TXF7

E-40-1

Ref	Description	Model	Type	Engine Serial Number		QTY	Part Number	H/C
				From	To			
2	MARK, OPERATOR CAUTION	A	a b c d e f g h i j	-----	-----	1	87516-ZH7-801	9337759
		B C	k l m n o p q	-----	-----	1	87516-ZH7-801	9337759
3	MARK, OPERATOR CAUTION (PICTOGRAPH)	A	a b c d e f g h i j	-----	-----	1	87519-ZH7-000	9337767
		B C	k l m n o p q	-----	-----	1	87519-ZH7-000	9337767
4	MARK, THROTTLE INDICATION.....	A	c e	-----	-----	1	87532-ZH7-800	8133175
		C	o	-----	-----	1	87532-ZH7-800	8133175
5	MARK, EX. CAUTION	A	a b c d e f g h i j	-----	-----	(1)	87539-Z0J-000	9278482
		B C	k l m n o p q	-----	-----	(1)	87539-Z0J-000	9278482
6	MARK, EX. CAUTION	A	a b c d e f g h i j	-----	-----	(1)	87539-Z0J-800	9278490
		B C	k l m n o p q	-----	-----	(1)	87539-Z0J-800	9278490
7	MARK, EX. CAUTION (FRENCH)	A	a b c d e f g h i j	-----	-----	(1)	87539-Z0J-810	9337817
		B C	k l m n o p q	-----	-----	(1)	87539-Z0J-810	9337817

MUFFLER (HIGH-R.)



Z9E0X0100



Z9E0X0100

MODEL	TYPE	f=QXC2	l=BDW
A =GX630R	a =QAB	g =QXF6	m =BXF
B =GX660R	b =QAF1	h =QZB2	n =TAF
C =GX690R	c =QDF2	i =QZB3	o =TDW
	d =QDW	j =VXA1	p =TXA2
	e =QXB1	k =BAF	q =TXF7

EOP-1

Ref	Description	Model	Type	Engine Serial Number		QTY	Part Number	H/C
				From	To			
1	MUFFLER KIT (HIGH-R)	A	a b c d e f g h i j	-----	-----	(1)	06183-Z6L-010	9336033
		B C	k l m n o p q	-----	-----	(1)	06183-Z6L-010	9336033
2	ARRESTER KIT (HIGH)	A	a b c d e f g h i j	-----	-----	(1)	06185-Z6L-000	9336058
		B C	k l m n o p q	-----	-----	(1)	06185-Z6L-000	9336058
3	MUFFLER (HIGH-R).....	A	a b c d e f g h i j	-----	-----	(1)	18310-Z6L-003	9337148
		B C	k l m n o p q	-----	-----	(1)	18310-Z6L-003	9337148
4	PROTECTOR, MUFFLER (HIGH) (FUTABA)	A	a b c d e f g h i j	-----	-----	(1)	18321-ZJ1-010	9337163
		B C	k l m n o p q	-----	-----	(1)	18321-ZJ1-010	9337163
5	ARRESTER, SPARK	A	a b c d e f g h i j	-----	-----	(1)	18355-ZJ1-000	9136409
		B C	k l m n o p q	-----	-----	(1)	18355-ZJ1-000	9136409
6	SCREW, TAPPING (5X8).....	A	a b c d e f g h i j	-----	-----	(1)	93901-250J0	3707015
		B C	k l m n o p q	-----	-----	(1)	93901-250J0	3707015
7	BOLT, STUD (8X45).....	A	a b c d e f g h i j	-----	-----	(1)	92900-08045-0B	3779352
		B C	k l m n o p q	-----	-----	(1)	92900-08045-0B	3779352
8	BOLT, STUD (8X60).....	A	a b c d e f g h i j	-----	-----	(1)	92900-08060-0B	3302858
		B C	k l m n o p q	-----	-----	(1)	92900-08060-0B	3302858
9	NUT, FLANGE (8MM).....	A	a b c d e f g h i j	-----	-----	(2)	94050-08000	0481143
		B C	k l m n o p q	-----	-----	(2)	94050-08000	0481143
10	BOLT, FLANGE (6X8)	A	a b c d e f g h i j	-----	-----	(6)	95701-06008-00	2581353
		B C	k l m n o p q	-----	-----	(6)	95701-06008-00	2581353

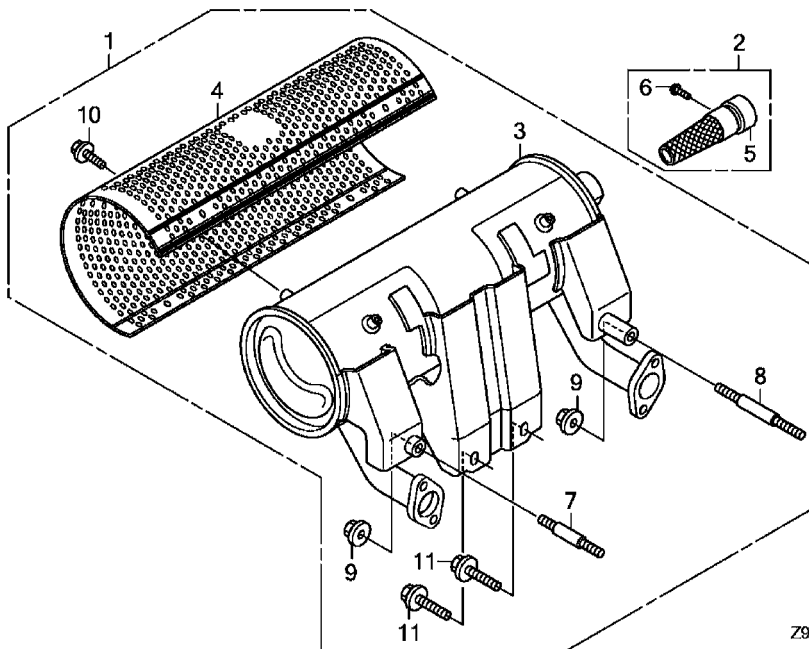
MUFFLER (HIGH-R.)

MODEL	TYPE	f=QXC2	l=BDW
A =GX630R	a =QAB	g =QXF6	m =BXF
B =GX660R	b =QAF1	h =QZB2	n =TAF
C =GX690R	c =QDF2	i =QZB3	o =TDW
	d =QDW	j =VXA1	p =TXA2
	e =QXB1	k =BAF	q =TXF7

EOP-1

Ref	Description	Model	Type	Engine Serial Number		QTY	Part Number	H/C
				From	To			
11	BOLT, FLANGE (8X20)	A	a b c d e f g h i j	-----	-----	(2)	95701-08020-00	2552552
		B C	k l m n o p q	-----	-----	(2)	95701-08020-00	2552552

MUFFLER (HIGH-L.)



Z9E0X0101



Z9E0X0101

MODEL	TYPE	f=QXC2	l=BDW
A =GX630R	a =QAB	g =QXF6	m =BXF
B =GX660R	b =QAF1	h =QZB2	n =TAF
C =GX690R	c =QDF2	i =QZB3	o =TDW
	d =QDW	j =VXA1	p =TXA2
	e =QXB1	k =BAF	q =TXF7

EOP-1-1

Ref	Description	Model	Type	Engine Serial Number		QTY	Part Number	H/C
				From	To			
1	MUFFLER KIT (HIGH-L.)	A	a b c d e f g h i j	-----	-----	(1)	06183-Z6L-801	9336041
		B C	k l m n o p q	-----	-----	(1)	06183-Z6L-801	9336041
2	ARRESTER KIT (HIGH)	A	a b c d e f g h i j	-----	-----	(1)	06185-Z6L-000	9336058
		B C	k l m n o p q	-----	-----	(1)	06185-Z6L-000	9336058
3	MUFFLER (HIGH-L.)	A	a b c d e f g h i j	-----	-----	(1)	18310-Z6L-801	9337155
		B C	k l m n o p q	-----	-----	(1)	18310-Z6L-801	9337155
4	PROTECTOR, MUFFLER (HIGH) (FUTABA)	A	a b c d e f g h i j	-----	-----	(1)	18321-ZJ1-010	9337163
		B C	k l m n o p q	-----	-----	(1)	18321-ZJ1-010	9337163
5	ARRESTER, SPARK	A	a b c d e f g h i j	-----	-----	(1)	18355-ZJ1-000	9136409
		B C	k l m n o p q	-----	-----	(1)	18355-ZJ1-000	9136409
6	SCREW, TAPPING (5X8)	A	a b c d e f g h i j	-----	-----	(1)	93901-250J0	3707015
		B C	k l m n o p q	-----	-----	(1)	93901-250J0	3707015
7	BOLT, STUD (8X45)	A	a b c d e f g h i j	-----	-----	(1)	92900-08045-0B	3779352
		B C	k l m n o p q	-----	-----	(1)	92900-08045-0B	3779352
8	BOLT, STUD (8X60)	A	a b c d e f g h i j	-----	-----	(1)	92900-08060-0B	3302858
		B C	k l m n o p q	-----	-----	(1)	92900-08060-0B	3302858
9	NUT, FLANGE (8MM)	A	a b c d e f g h i j	-----	-----	(2)	94050-08000	0481143
		B C	k l m n o p q	-----	-----	(2)	94050-08000	0481143
10	BOLT, FLANGE (6X8)	A	a b c d e f g h i j	-----	-----	(6)	95701-06008-00	2581353
		B C	k l m n o p q	-----	-----	(6)	95701-06008-00	2581353

MUFFLER (HIGH-L.)

MODEL	TYPE	f=QXC2	l=BDW
A=GX630R	a=QAB	g=QXF6	m=BXF
B=GX660R	b=QAF1	h=QZB2	n=TAF
C=GX690R	c=QDF2	i=QZB3	o=TDW
	d=QDW	j=VXA1	p=TXA2
	e=QXB1	k=BAF	q=TXF7

EOP-1-1

Ref	Description	Model	Type	Engine Serial Number		QTY	Part Number	H/C
				From	To			
11	BOLT, FLANGE (8X20)	A	a b c d e f g h i j	-----	-----	(2)	95701-08020-00	2552552
		B C	k l m n o p q	-----	-----	(2)	95701-08020-00	2552552

Part Number Index

PART NUMBER INDEX

Part Number	Grid	Page	Part Number	Grid	Page	Part Number	Grid	Page
(0)			15424-Z6L-000	1-C3	1-6	16850-Z6L-000	1-D2	1-20
				1-C3	1-7	16860-Z6L-000	1-D2	1-20
06183-Z6L-010	1-E2	1-36	15571-ZM7-003	1-C2	1-4	16860-Z6L-800	1-D2	1-20
06183-Z6L-801	1-E3	1-38	15572-Z6L-000	1-C2	1-4	16870-Z6L-000	1-D2	1-20
06185-Z6L-000	1-E2	1-36	15600-Z6L-000	1-C1	1-2	16882-Z6L-000	1-D2	1-20
	1-E3	1-38	15625-Z6L-000	1-C1	1-2	16910-Z6L-003	1-D2	1-20
			15655-Z6L-000	1-C3	1-7	17101-Z6L-000	1-C1	1-2
			15665-Z6L-000	1-C3	1-7	17151-Z6L-000	1-C1	1-2
(1)			15721-Z6L-000	1-C7	1-15		1-C1	1-3
11100-Z6L-000	1-C2	1-4	16010-Z6L-003	1-C7	1-15	17210-Z6L-000	1-D1	1-18
11100-Z6L-800	1-C2	1-4	16013-Z6L-003	1-C7	1-15	17220-Z6L-000	1-D1	1-18
11100-Z6L-820	1-C2	1-4	16015-Z6L-003	1-C7	1-15	17223-Z6L-000	1-D1	1-18
11300-Z6L-000	1-C3	1-6	16016-Z6L-003	1-C7	1-15	17228-Z6L-000	1-C8	1-16
11911-Z6L-000	1-C1	1-2	16024-124-760	1-C7	1-15	17229-Z6L-000	1-C8	1-16
12110-Z6L-000	1-C1	1-2	16081-Z6L-003	1-C8	1-17	17230-Z6L-000	1-D1	1-18
12120-Z6L-000	1-C1	1-2	16100-Z6L-003	1-C7	1-15	17232-Z2E-000	1-D1	1-18
12208-Z6L-003	1-C5	1-11	16100-Z8N-003	1-C7	1-15	17235-Z6L-300	1-D1	1-18
12311-Z6L-000	1-C1	1-2	16100-Z9E-003	1-C7	1-15	17236-Z6L-300	1-D1	1-18
12311-Z6L-800	1-C1	1-2	16113-Z6L-003	1-C8	1-17	17369-KB4-670	1-C8	1-16
12312-Z6L-000	1-C1	1-2	16124-ZE0-005	1-C7	1-15		1-C8	1-17
12356-Z6L-000	1-C2	1-4	16126-Z6L-003	1-C7	1-15	17410-Z6L-000	1-C8	1-17
12367-Z6L-000	1-C2	1-4	16148-141-881	1-C7	1-15	17417-Z6L-000	1-D1	1-18
13010-Z6L-003	1-C5	1-10	16155-Z6L-003	1-C8	1-16	17526-MCA-000	1-D2	1-20
13101-Z6L-000	1-C5	1-10	16166-Z6L-003	1-C8	1-16	17850-Z6L-003	1-D7	1-30
13111-Z6L-000	1-C5	1-10	16166-Z8N-003	1-C8	1-16	17910-Z6L-000	1-D7	1-30
13210-Z6L-000	1-C5	1-10	16176-Z2G-D51	1-C8	1-16	17950-Z6L-000	1-D7	1-30
13211-Z6L-003	1-C5	1-10	16198-Z6L-000	1-C8	1-16	17951-ZV1-000	1-D7	1-30
13310-Z6L-000	1-C4	1-9	16200-Z6L-003	1-C8	1-16	18310-Z6L-003	1-E2	1-36
13310-Z6L-600	1-C4	1-9	16211-Z6L-000	1-C8	1-16	18310-Z6L-801	1-E3	1-38
13310-Z6L-610	1-C4	1-9	16215-MV4-000	1-C8	1-16	18321-ZJ1-010	1-E2	1-36
13310-Z6L-620	1-C4	1-9	16221-Z6L-000	1-C8	1-16		1-E3	1-38
14100-Z6L-000	1-C5	1-11	16263-Z0G-010	1-D5	1-27	18333-ZE3-800	1-D8	1-33
14410-Z6L-000	1-C5	1-11	16500-Z6L-000	1-D5	1-27	18333-ZK6-Y00	1-D8	1-33
14431-Z6L-000	1-C5	1-11	16510-Z6L-000	1-C3	1-7	18355-ZJ1-000	1-E2	1-36
14461-Z6L-000	1-C5	1-11	16511-Z6L-300	1-C3	1-7		1-E3	1-38
14568-Z6L-000	1-C5	1-11	16512-Z6L-300	1-C3	1-7	19511-Z6L-000	1-D3	1-22
14711-Z6L-000	1-C5	1-11	16513-Z6L-000	1-C3	1-7	19513-Z6L-000	1-D3	1-22
14721-Z6L-000	1-C5	1-11	16531-Z6L-000	1-C3	1-7	19610-Z6L-000ZA	1-C6	1-13
14730-Z6L-000	1-C5	1-11	16534-Z6L-000	1-D5	1-27	19619-Z0A-300	1-C6	1-13
14735-Z6L-000	1-C5	1-11	16541-Z6L-000	1-C2	1-4		1-D1	1-18
14751-Z6L-000	1-C5	1-11	16550-Z6L-000	1-D5	1-27	19621-Z6L-000	1-C6	1-13
			16553-Z6L-000	1-D5	1-27	19631-Z6L-000	1-C6	1-13
			16555-Z6L-000	1-D5	1-27	19641-Z6L-000	1-C6	1-13
14763-Z6L-000	1-C6	1-12	16561-Z6L-000	1-D5	1-27	19642-Z6L-000	1-C6	1-13
14764-Z6L-000	1-C6	1-12	16562-Z6L-000	1-D5	1-27			
14771-ZE1-000	1-C6	1-12	16576-891-000	1-D5	1-27	(3)		
15133-Z6L-000	1-C3	1-6	16584-883-300	1-D5	1-27	30201-PH9-004	1-D4	1-25
15140-Z6L-000	1-C3	1-6	16592-ZJ1-000	1-D6	1-28	30202-PZ1-003	1-D4	1-25
15220-Z6L-000	1-C3	1-6	16594-883-010	1-D8	1-33	30500-Z6L-003	1-D3	1-23
15232-Z6L-000	1-C3	1-6	16611-Z6L-000	1-D6	1-28	30551-Z6L-000	1-D3	1-23
15400-PLM-A01	1-C3	1-6	16617-Z6L-000	1-D6	1-28		1-D3	1-22
15410-Z6L-000	1-C3	1-6		1-D8	1-33	31110-Z6L-003	1-D3	1-22
15410-Z6L-800	1-C3	1-6	16700-Z6L-003	1-D2	1-20	31200-Z6L-003	1-D4	1-25
15410-Z6L-820	1-C3	1-6	16711-Z6L-000	1-D2	1-20	31203-PH9-004	1-D4	1-25
15423-Z6L-000	1-C3	1-6	16715-Z6L-000	1-C6	1-13	31204-ZJ1-H02	1-D4	1-25
15424-Z6L-000	1-C2	1-4	16722-Z6L-000	1-C1	1-2	31207-ZE9-H01	1-D4	1-25

PART NUMBER INDEX

Part Number	Grid	Page	Part Number	Grid	Page	Part Number	Grid	Page
31208-Z6L-003	1-D4	1-25	87521-Z8N-000	1-D8	1-32	92301-04006-0H	1-D8	1-33
31211-PH9-004	1-D4	1-25	87531-Z6L-000	1-D8	1-32	92301-05016-0A	1-D6	1-28
31212-PH9-004	1-D4	1-25	87532-ZH7-800	1-E1	1-35	92800-20000	1-C2	1-5
31214-PH9-004	1-D4	1-25	87539-Z0J-000	1-E1	1-35	92900-08022-0E	1-C1	1-3
31217-Z0A-003	1-D4	1-25	87539-Z0J-800	1-E1	1-35	92900-08045-0B	1-E2	1-36
	1-D5	1-26	87539-Z0J-810	1-E1	1-35		1-E3	1-38
31218-P64-N01	1-D5	1-26				92900-08060-0B	1-E2	1-36
31219-Z6L-003	1-D5	1-26	(9)				1-E3	1-38
31220-PH9-004	1-D5	1-26	90001-Z6L-000	1-C5	1-10	92900-10040-0B	1-C2	1-5
31223-PA0-006	1-D5	1-26	90002-ZG5-004	1-C2	1-5	93500-03008-0A	1-C2	1-5
31231-PH9-004	1-D5	1-26		1-C3	1-7	93500-04012-0H	1-C8	1-17
31233-PH9-004	1-D5	1-26	90003-Z6L-000	1-C8	1-17	93500-05030-0A	1-D6	1-28
31234-Z6L-000	1-D5	1-26	90005-Z6L-000	1-C6	1-13	93500-05040-0A	1-D6	1-28
31612-Z6L-000	1-D7	1-30	90011-Z0H-811	1-D7	1-31	93892-05010-08	1-C8	1-17
31614-Z6L-000	1-D7	1-30	90012-Z6L-000	1-C6	1-12	93893-05008-07	1-D7	1-31
31630-Z6L-003	1-D3	1-23	90015-ZE3-790	1-D6	1-28	93894-06016-00	1-D2	1-20
31630-Z6L-801	1-D3	1-23	90101-SP1-003	1-D7	1-31	93901-250J0	1-E2	1-36
31750-735-013	1-D3	1-23	90201-Z6L-000	1-D3	1-22		1-E3	1-38
31750-Z2E-803	1-D8	1-33	90206-Z6L-000	1-C6	1-12	93913-25310	1-D7	1-31
32105-Z6L-000	1-D8	1-33	90325-044-000	1-D1	1-18	93913-25580	1-C6	1-13
32110-Z6L-000	1-D3	1-23	90380-GM9-740	1-C6	1-13		1-C7	1-14
32110-Z6L-800	1-D3	1-23	90380-MB2-000	1-D7	1-31	94050-06000	1-D1	1-19
32110-Z6L-810	1-D3	1-23	90402-Z6L-000	1-C4	1-9		1-D6	1-28
32110-Z6L-830	1-D3	1-23	90403-Z6L-000	1-C3	1-7	94050-08000	1-C1	1-3
32110-Z6L-840	1-D3	1-23	90404-Z6L-000	1-C2	1-5		1-E2	1-36
32114-Z6L-000	1-D3	1-23	90551-ZE1-000	1-C5	1-10		1-E3	1-38
32115-Z6L-000	1-D3	1-23	90601-Z6L-000	1-D7	1-31	94050-10000	1-C1	1-3
32183-Z6L-000	1-D4	1-24	90602-ZE1-000	1-C3	1-7	94070-08080	1-D5	1-26
32346-Z6L-000	1-D7	1-30		1-C6	1-12	94109-20000	1-C2	1-5
32347-Z6L-000	1-D7	1-30	90650-KV6-003	1-D4	1-24	94251-10000	1-C2	1-5
32824-ZV5-003	1-D8	1-33		1-D7	1-31	94540-05018	1-D6	1-28
35100-Z6L-003	1-D7	1-30		1-D4	1-24		1-D8	1-33
35480-Z6L-003	1-C2	1-4	90672-SB2-003	1-D4	1-24		1-E1	1-34
37240-ZG5-004	1-C2	1-4	90681-763-A01	1-D7	1-31	95002-02080	1-C8	1-17
	1-C3	1-7	90705-Z6L-000	1-C5	1-10	95002-41000-08	1-D2	1-21
38216-Z2E-003	1-D7	1-30	90707-Z6L-000	1-C3	1-7	95002-41200-08	1-D2	1-21
39700-Z6L-003	1-D7	1-30		1-C6	1-12	95002-70000	1-D2	1-21
	1-D7	1-31	90708-Z6L-000	1-C3	1-7	95701-06008-00	1-D4	1-24
			90709-Z6L-000	1-C2	1-5		1-E2	1-36
(5)			90741-ZE2-000	1-C4	1-9		1-E3	1-38
55109-GAA-000	1-D2	1-20	90802-Z6L-000	1-D1	1-19	95701-06010-00	1-D6	1-28
			90902-Z6L-000	1-C3	1-7		1-D6	1-29
			91002-ZG4-801	1-D5	1-26	95701-06012-00	1-D2	1-21
(8)			91201-Z6L-003	1-C2	1-5		1-D4	1-24
80152-958-680	1-D2	1-20	91202-Z6L-003	1-C3	1-7	95701-06014-00	1-C2	1-5
84601-HA7-670	1-C6	1-13	91203-Z6L-003	1-C2	1-5		1-D2	1-21
87117-Z2E-800	1-D7	1-31	91301-Z6L-003	1-C3	1-7		1-D4	1-24
87501-Z6L-000	1-D7	1-31	91302-GE0-000	1-C3	1-7		1-D6	1-29
87501-Z6L-800	1-D7	1-31	91302-Z6L-003	1-C3	1-7	95701-06016-00	1-C2	1-5
87502-Z6L-000	1-D7	1-31	91308-Z6L-003	1-C2	1-5		1-C7	1-14
87516-ZH7-010	1-D8	1-32		1-C3	1-7	95701-06018-00	1-D1	1-19
87516-ZH7-801	1-E1	1-35	91309-Z6L-000	1-C2	1-5	95701-06020-00	1-C3	1-7
87519-ZH7-000	1-E1	1-35	91508-GN2-000	1-D7	1-31		1-C4	1-8
87521-Z6L-000	1-D8	1-32	91565-SEL-003	1-D7	1-31		1-C7	1-14
87521-Z6N-000	1-D8	1-32	91601-Z6L-000	1-D4	1-24	95701-06022-00	1-C6	1-12
			92301-04006-0H	1-D6	1-28	95701-06028-00	1-C4	1-8

PART NUMBER INDEX

Part Number	Grid	Page	Part Number	Grid	Page	Part Number	Grid	Page
95701-06030-00	1-C1	1-3						
	1-D4	1-24						
95701-06032-00	1-D4	1-24						
95701-06035-00	1-C4	1-8						
95701-06050-00	1-C1	1-3						
95701-06090-00	1-C4	1-8						
95701-08016-00	1-C1	1-3						
95701-08020-00	1-E2	1-37						
	1-E3	1-39						
95701-08045-00	1-C4	1-8						
95701-10040-00	1-D5	1-26						
98079-5587G	1-C1	1-3						
98200-43000	1-D7	1-31						
99101-ZH8-0900	1-C8	1-17						
99101-ZH8-0920	1-C8	1-17						
99101-ZH8-0950	1-C8	1-17						
99101-ZH8-0980	1-C8	1-17						
99101-ZH8-1000	1-C8	1-17						
99101-ZH8-1020	1-C8	1-17						
99101-ZH8-1050	1-C8	1-17						
99101-ZH8-1100	1-C8	1-17						
99101-ZH8-1120	1-C8	1-17						
99101-ZH8-1180	1-C8	1-17						
99204-ZE2-0400	1-C8	1-17						
99204-ZE2-0450	1-C8	1-17						

Description Index

DESCRIPTION INDEX

Description	Grid	Page	Ref	Description	Grid	Page	Ref
(A)				BOLT, FLANGE (8X45)	1-C4	1-8	34
				BOLT, GOVERNOR ARM	1-D6	1-28	14
				BOLT, RECESSED (4X6)	1-D6	1-28	15
ARM, GOVERNOR	1-D5	1-27	4		1-D8	1-33	12
ARM, SUB	1-D5	1-27	5		1-D8	1-33	13
ARM, THROTTLE LINKAGE	1-C7	1-15	9	BOLT, RECESSED (5X16)	1-D6	1-28	16
ARM, VALVE ROCKER	1-C5	1-11	4	BOLT, SEALING	1-C2	1-4	4
ARMATURE	1-D4	1-25	11		1-C3	1-6	10
	1-D5	1-26	11		1-C3	1-7	10
ARRESTER KIT (HIGH)	1-E2	1-36	2	BOLT, SOCKET (5X9)	1-D7	1-31	16
	1-E3	1-38	2	BOLT, STUD (10X40)	1-C2	1-5	18
ARRESTER, SPARK	1-E2	1-36	5	BOLT, STUD (8X22)	1-C1	1-3	12
	1-E3	1-38	5	BOLT, STUD (8X45)	1-E2	1-36	7
(B)					1-E3	1-38	7
BALL, STEEL (#15) (15/32)	1-C3	1-7	24	BOLT, STUD (8X60)	1-E2	1-36	8
BAND, WIRE (95MM)	1-D4	1-24	11		1-E3	1-38	8
	1-D7	1-31	20	BOLT, THROUGH	1-D4	1-25	10
BASE, OIL FILTER	1-C3	1-6	7	BRACKET, CONTROL BOX	1-D7	1-30	8
	1-C3	1-6	8	BRACKET, HARNESS	1-D3	1-23	8
BEARING A	1-D5	1-26	19	BRACKET, REGULATOR RECTIFIER	1-D3	1-23	9
BEARING A, CONNECTING ROD	1-C5	1-10	5	BRACKET, SWITCH BOX	1-D7	1-30	6
BOLT, CONNECTING ROD (7X38)	1-C5	1-10	6	BRUSH	1-D4	1-25	8
BOLT, DRAIN PLUG (20MM)	1-C2	1-5	17	(C)			
BOLT, FLANGE (10X40)	1-D5	1-26	21	CABLE, CHOKE	1-D7	1-30	3
BOLT, FLANGE (6X10)	1-D6	1-28	21	CABLE, THROTTLE	1-D7	1-30	2
	1-D6	1-29	21	CAMSHAFT ASSY.	1-C5	1-11	2
BOLT, FLANGE (6X106)	1-C8	1-17	23	CAP ASSY., OIL FILLER	1-C1	1-2	7
BOLT, FLANGE (6X12)	1-D2	1-21	16	CAP, BOOST	1-C8	1-16	17
	1-D4	1-24	15	CAP, CHOKE DUST	1-C7	1-15	10
BOLT, FLANGE (6X14)	1-C2	1-5	22	CAP, SEALING	1-D1	1-19	11
	1-D2	1-21	17	CARBURETOR ASSY. (BK05A A)	1-C7	1-15	7
	1-D4	1-24	16	CARBURETOR ASSY. (BK06A A)	1-C7	1-15	7
	1-D6	1-29	22	CARBURETOR ASSY. (BK07A A)	1-C7	1-15	7
BOLT, FLANGE (6X16)	1-C2	1-5	23	CHAMBER SET, FLOAT	1-C7	1-15	4
	1-C7	1-14	13	CLAMP, IGNITION WIRE	1-D3	1-23	2
BOLT, FLANGE (6X18)	1-D1	1-19	13	CLAMP, OIL HOSE	1-D2	1-20	10
BOLT, FLANGE (6X20)	1-C3	1-7	30	CLAMP, TUBE (D10)	1-D2	1-21	13
	1-C4	1-8	30	CLAMP, TUBE (D12)	1-D2	1-21	14
	1-C7	1-14	14	CLIP, BREATHER TUBE	1-C8	1-16	21
BOLT, FLANGE (6X22)	1-C6	1-12	19		1-C8	1-17	21
BOLT, FLANGE (6X28)	1-C4	1-8	31	CLIP, CONNECTOR (BLACK)	1-D7	1-31	23
BOLT, FLANGE (6X30)	1-C1	1-3	15	CLIP, GOVERNOR HOLDER	1-C3	1-7	21
	1-D4	1-24	17		1-C6	1-12	17
BOLT, FLANGE (6X32)	1-D4	1-24	18	CLIP, PISTON PIN (18MM)	1-C5	1-10	7
BOLT, FLANGE (6X35)	1-C4	1-8	32	CLIP, TUBE (B8)	1-C8	1-17	25
BOLT, FLANGE (6X50)	1-C1	1-3	16	CLIP, TUBE (C11)	1-D2	1-21	15
BOLT, FLANGE (6X8)	1-D4	1-24	14	CLIP, WIRE HARNESS	1-D7	1-31	21
	1-E2	1-36	10	CLUTCH, OVERRUNNING	1-D4	1-25	6
	1-E3	1-38	10	COIL ASSY., CHARGE (17A)	1-D3	1-23	3
BOLT, FLANGE (6X90)	1-C4	1-8	33	COIL ASSY., CHARGE (2.7A)	1-D3	1-23	4
BOLT, FLANGE (8X16)	1-C1	1-3	17	COIL ASSY., IGNITION	1-D3	1-23	1
BOLT, FLANGE (8X20)	1-E2	1-37	11	COLLAR SET, CLUTCH STOP	1-D4	1-25	2
	1-E3	1-39	11	COLLAR, FAN COVER	1-C6	1-13	3
					1-D1	1-18	9

DESCRIPTION INDEX

Description	Grid	Page	Ref	Description	Grid	Page	Ref
COLLAR, VALVE LIFTER	1-C6	1-12	12	GAUGE, OIL LEVEL	1-C3	1-7	11
CONTROL ASSY.	1-D5	1-27	2	GEAR, OIL PUMP	1-C3	1-6	3
COVER ASSY., CRANKCASE	1-C3	1-6	1	GOVERNOR ASSY.	1-C3	1-7	13
COVER ASSY., FUSE	1-D7	1-30	10	GROMMET, AIR CLEANER	1-D1	1-18	5
COVER, AIR CLEANER	1-D1	1-18	4	GROMMET, CONTROL BOX	1-D7	1-31	19
COVER, BREATHER	1-C2	1-4	2	GROMMET, CORD	1-D4	1-24	13
COVER, CONTROL	1-D7	1-30	5				
COVER, CYLINDER HEAD	1-C1	1-2	4	(H)			
	1-C1	1-2	5				
COVER, FAN *R280* (POWER RED)	1-C6	1-13	2	HANGER, ENGINE	1-C1	1-2	1
COVER, FUEL PUMP	1-C6	1-13	1	HARNESS ASSY., REGULATOR RECTIFIER	1-D4	1-24	10
COVER, TERMINAL	1-D5	1-26	18	HOLDER, BRUSH	1-D5	1-26	16
CRANKCASE ASSY.	1-C2	1-4	1	HOLDER, CABLE	1-D5	1-27	9
CRANKSHAFT	1-C4	1-9	4		1-D6	1-28	13
CRANKSHAFT (L=138)	1-C4	1-9	1		1-D8	1-33	2
CRANKSHAFT (L=162)	1-C4	1-9	2	HOLDER, GOVERNOR WEIGHT	1-C3	1-7	15
CRANKSHAFT (L=175.2)	1-C4	1-9	3	HOLDER, OIL FILTER	1-C3	1-6	9
CYLINDER HEAD (#1)	1-C1	1-2	2	HOLDER, WIRE	1-D8	1-33	1
CYLINDER HEAD (#2)	1-C1	1-2	3	HOUSING, AIR CLEANER	1-D1	1-18	2
				HOUSING, DRIVE SIDE	1-D4	1-25	7
(E)				(I)			
E-RING (5MM)	1-D6	1-28	20	INSULATOR, BRUSH HOLDER	1-D5	1-26	17
	1-D8	1-33	14	INSULATOR, CARBURETOR	1-C8	1-16	16
	1-D8	1-33	15				
	1-E1	1-34	15	(J)			
ELBOW, AIR CLEANER	1-C8	1-17	22	JET SET, PILOT (#40)	1-C8	1-17	28
ELEMENT, AIR CLEANER	1-D1	1-18	1	JET SET, PILOT (#45)	1-C8	1-17	28
EMBLEM (GX630)	1-D8	1-32	2	JET, MAIN (#100)	1-C8	1-17	26
EMBLEM (GX660)	1-D8	1-32	2		1-C8	1-17	27
EMBLEM (GX690)	1-D8	1-32	2	JET, MAIN (#102)	1-C8	1-17	26
				JET, MAIN (#105)	1-C8	1-17	26
(F)					1-C8	1-17	27
FAN, COOLING	1-D3	1-22	1	JET, MAIN (#110)	1-C8	1-17	26
FILTER, BREATHER	1-C2	1-4	3		1-C8	1-17	27
FILTER, OIL (FILTECH TOYO ROKI)	1-C3	1-6	6	JET, MAIN (#112)	1-C8	1-17	26
FLOAT SET	1-C7	1-15	3		1-C8	1-17	27
FLYWHEEL	1-D3	1-22	3	JET, MAIN (#118)	1-C8	1-17	26
FRAME, COMMUTATOR END	1-D5	1-26	13		1-C8	1-17	27
FUSE, MINI (30A)	1-D7	1-31	26	JET, MAIN (#90)	1-C8	1-17	26
				JET, MAIN (#92)	1-C8	1-17	27
(G)				JET, MAIN (#95)	1-C8	1-17	26
GASKET SET	1-C7	1-15	2	JET, MAIN (#98)	1-C8	1-17	27
GASKET, AIR CLEANER	1-C8	1-16	19	JOINT, FUEL RETURN	1-D2	1-20	9
GASKET, AIR CLEANER HOUSING	1-D1	1-18	8	JOINT, ROD	1-D5	1-27	1
GASKET, CARBURETOR	1-C8	1-16	18				
GASKET, EX. PIPE	1-D8	1-33	8	(K)			
GASKET, HEAD COVER	1-C1	1-2	6	KEY, SPECIAL WOODRUFF (25X18)	1-C4	1-9	6
GASKET, IN. MANIFOLD	1-C1	1-2	11	KNOB, AIR CLEANER COVER	1-D1	1-18	6
	1-C1	1-3	11	KNOB, CHOKE	1-D7	1-30	4
GASKET, OIL FILLER CAP	1-C1	1-2	8				
GASKET, OIL PASSAGE	1-C2	1-5	15				
	1-C3	1-7	29				

DESCRIPTION INDEX

Description	Grid	Page	Ref	Description	Grid	Page	Ref
(L)				(P)			
LABEL, FUSE (30A)	1-D7	1-31	12	PANEL, CONTROL	1-D7	1-30	7
LEVER ASSY., THROTTLE	1-D7	1-30	1	PIN, DOWEL (12X20)	1-C2	1-5	12
LEVER, PINION DRIVE	1-D4	1-25	4	PIN, DOWEL (8X10)	1-C3	1-7	22
LIFTER ASSY., VALVE	1-C5	1-11	9		1-C6	1-12	18
(M)				PIN, DOWEL (8X14)	1-C3	1-7	23
MANIFOLD, IN.	1-C1	1-2	10	PIN, DOWEL (9X10)	1-C5	1-10	8
MARK, ENGINE SWITCH	1-D7	1-31	13	PIN, GOVERNOR WEIGHT	1-C3	1-7	16
MARK, EX. CAUTION	1-E1	1-35	5	PIN, LOCK (10MM)	1-C2	1-5	21
	1-E1	1-35	6	PIN, PISTON	1-C5	1-10	3
MARK, EX. CAUTION (FRENCH)	1-E1	1-35	7	PIPE, OIL LEVEL	1-C3	1-7	12
MARK, HONDA	1-D8	1-32	3	PISTON	1-C5	1-10	2
MARK, OPERATOR CAUTION	1-D8	1-32	1	PLATE	1-C8	1-17	30
	1-E1	1-35	2	PLATE, COOLING FAN SETTING	1-D3	1-22	2
MARK, OPERATOR CAUTION (PICTOGRAPH)	1-E1	1-35	3	PLATE, STOPPER	1-C2	1-4	6
MARK, THROTTLE INDICATION	1-E1	1-35	4	PLUG, CONNECTOR (OUTER)	1-D8	1-33	11
MARK, THROTTLE SWITCH	1-D7	1-31	14	PROTECTOR, FAN COVER	1-C6	1-13	4
METER ASSY., HOUR	1-D7	1-30	11	PROTECTOR, MUFFLER (HIGH) (FUTABA)	1-E2	1-36	4
	1-D7	1-31	11		1-E3	1-38	4
MUFFLER (HIGH-L)	1-E3	1-38	3	PUMP ASSY., FUEL	1-D2	1-20	1
MUFFLER (HIGH-R)	1-E2	1-36	3	(R)			
MUFFLER KIT (HIGH-L)	1-E3	1-38	1	RECTIFIER ASSY., REGULATOR (20A)	1-D8	1-33	9
MUFFLER KIT (HIGH-R)	1-E2	1-36	1	RECTIFIER, REGULATOR (5A)	1-D3	1-23	5
(N)				RETAINER, IN. VALVE SPRING	1-C6	1-12	14
NOZZLE, MAIN	1-C8	1-16	12	RING SET, PISTON (STD) (TEIKOKU)	1-C5	1-10	1
NUT, FENDER SETTING	1-C6	1-13	9	RING, SNAP (DENSO)	1-D4	1-25	1
NUT, FLANGE (10MM)	1-C1	1-3	14	ROD ASSY., CONNECTING	1-C5	1-10	4
NUT, FLANGE (6MM)	1-D1	1-19	12	ROD, CHOKE CONTROL	1-D6	1-28	12
	1-D6	1-28	19	ROD, GOVERNOR	1-D5	1-27	6
NUT, FLANGE (8MM)	1-C1	1-3	13	ROD, PUSH	1-C5	1-11	3
	1-E2	1-36	9	ROTOR, OIL PUMP (OUTER)	1-C3	1-6	2
	1-E3	1-38	9	RUBBER, RR. FENDER	1-D2	1-20	11
NUT, HEX.	1-D5	1-26	15	(S)			
NUT, HEX. (8MM)	1-D5	1-26	14	SCREEN, FUEL STRAINER	1-C8	1-16	13
NUT, SPECIAL (20MM)	1-D3	1-22	4	SCREW SET	1-C7	1-15	5
NUT, TAPPET ADJUSTING	1-C6	1-12	16	SCREW SET, DRAIN	1-C7	1-15	6
NUT, TOOL BOX SETTING	1-D1	1-18	10	SCREW, FLOAT	1-C8	1-17	29
NUT-WASHER (8MM)	1-D5	1-26	20	SCREW, PAN (3X8)	1-C2	1-5	19
(O)				SCREW, PAN (4X12)	1-C8	1-17	24
O-RING (14.8X2.4)	1-C3	1-7	26	SCREW, PAN (5X10.5)	1-D7	1-31	22
O-RING (37.9X2.4)	1-C2	1-5	16	SCREW, PAN (5X30)	1-D6	1-28	17
O-RING (8.8X1.9)	1-C3	1-7	28	SCREW, PAN (5X40)	1-D6	1-28	18
O-RING, OIL PUMP	1-C3	1-7	27	SCREW, SPECIAL (4X10)	1-C6	1-13	10
OIL SEAL (10X16X5)	1-C2	1-5	14	SCREW, SPECIAL (6X15)	1-C6	1-13	11
OIL SEAL (38X58X9)	1-C2	1-5	13	SCREW, SPECIAL (6X8)	1-D7	1-31	18
	1-C3	1-7	25	SCREW, TAPPET ADJUSTING	1-C6	1-12	15
				SCREW, TAPPING (3X8) (PO)	1-D7	1-31	17
				SCREW, TAPPING (5X14) (PO)	1-D7	1-31	25
				SCREW, TAPPING (5X20)	1-C6	1-13	12
					1-C7	1-14	12

DESCRIPTION INDEX

Description	Grid	Page	Ref	Description	Grid	Page	Ref
SCREW, TAPPING (5X8)	1-E2	1-36	6	(V)			
	1-E3	1-38	6	VALVE ASSY., SOLENOID	1-C8	1-16	15
SCREW, THROTTLE STOP	1-C7	1-15	8	VALVE, EX.	1-C5	1-11	8
SCREW-WASHER (4X8)	1-C2	1-5	10	VALVE, FLOAT	1-C8	1-16	11
	1-C3	1-7	19	VALVE, IN.	1-C5	1-11	7
SCREW-WASHER (5X10)	1-C8	1-17	31	VALVE, OIL OUTLET	1-C2	1-4	5
SCREW-WASHER (5X8)	1-D7	1-31	24	(W)			
SCREW-WASHER (6X16)	1-D2	1-20	12	WASHER (6X16)	1-C3	1-7	20
SEAL, AIR CLEANER HOUSING	1-C8	1-16	20	WASHER, CRANKSHAFT THRUST	1-C4	1-9	5
SEAL, VALVE STEM	1-C5	1-11	1	WASHER, DRAIN PLUG (20MM)	1-C2	1-5	20
SHAFT, GOVERNOR ARM	1-C2	1-4	7	WASHER, PLAIN (10MM)	1-C2	1-5	11
SHAFT, ROCKER ARM	1-C5	1-11	5	WEIGHT, GOVERNOR	1-C3	1-7	14
SHAFT, VALVE LIFTER	1-C5	1-11	10	WIRE HARNESS ASSY., ENGINE	1-D3	1-23	6
SHROUD (UPPER)	1-C6	1-13	6		1-D3	1-23	7
SHROUD, L. (LOWER)	1-C6	1-13	8	(Y)			
SHROUD, R. (LOWER)	1-C6	1-13	7	YOKE	1-D5	1-26	12
SLIDER, GOVERNOR	1-C3	1-7	17				
SPARK PLUG (ZFR5F)	1-C1	1-3	18				
SPRING, AIR CLEANER HOUSING COVER	1-D1	1-18	7				
SPRING, BRUSH	1-D4	1-25	9				
SPRING, CABLE RETURN	1-D6	1-28	11				
SPRING, CONTROL ADJUSTING	1-D5	1-27	10				
SPRING, GOVERNOR	1-D5	1-27	7				
SPRING, RELIEF VALVE	1-C3	1-6	5				
SPRING, STARTER	1-D5	1-27	3				
SPRING, THROTTLE RETURN	1-D5	1-27	8				
SPRING, VALVE	1-C5	1-11	11				
	1-C6	1-12	11				
SPRING, VALVE LIFTER	1-C6	1-12	13				
SPRING, WEIGHT RETURN	1-C5	1-11	6				
STARTER MOTOR ASSY.	1-D4	1-25	3				
STAY, AIR CLEANER ELEMENT	1-D1	1-18	3				
STAY, FUEL PUMP	1-D2	1-20	2				
STAY, FUEL TUBE GROMMET	1-C1	1-2	9				
STRAINER, FUEL	1-D2	1-20	8				
STRAINER, OIL	1-C3	1-6	4				
STRAP, CABLE (105MM) (BLACK)	1-D4	1-24	12				
SUB-WIRE HARNESS ASSY.	1-D8	1-33	10				
SWITCH ASSY., COMBINATION	1-D7	1-30	9				
SWITCH ASSY., MAGNET	1-D4	1-25	5				
SWITCH ASSY., OIL LEVEL	1-C2	1-4	8				
SWITCH, OIL PRESSURE	1-C2	1-4	9				
	1-C3	1-7	18				
(T)							
TUBE A, FUEL (FKM)	1-D2	1-20	3				
TUBE B, FUEL (FKM)	1-D2	1-20	4				
	1-D2	1-20	5				
TUBE, BREATHER	1-C7	1-15	1				
TUBE, DIAPHRAGM	1-D2	1-20	7				
TUBE, DRAIN	1-C8	1-16	14				
TUBE, PURGE	1-D2	1-20	6				