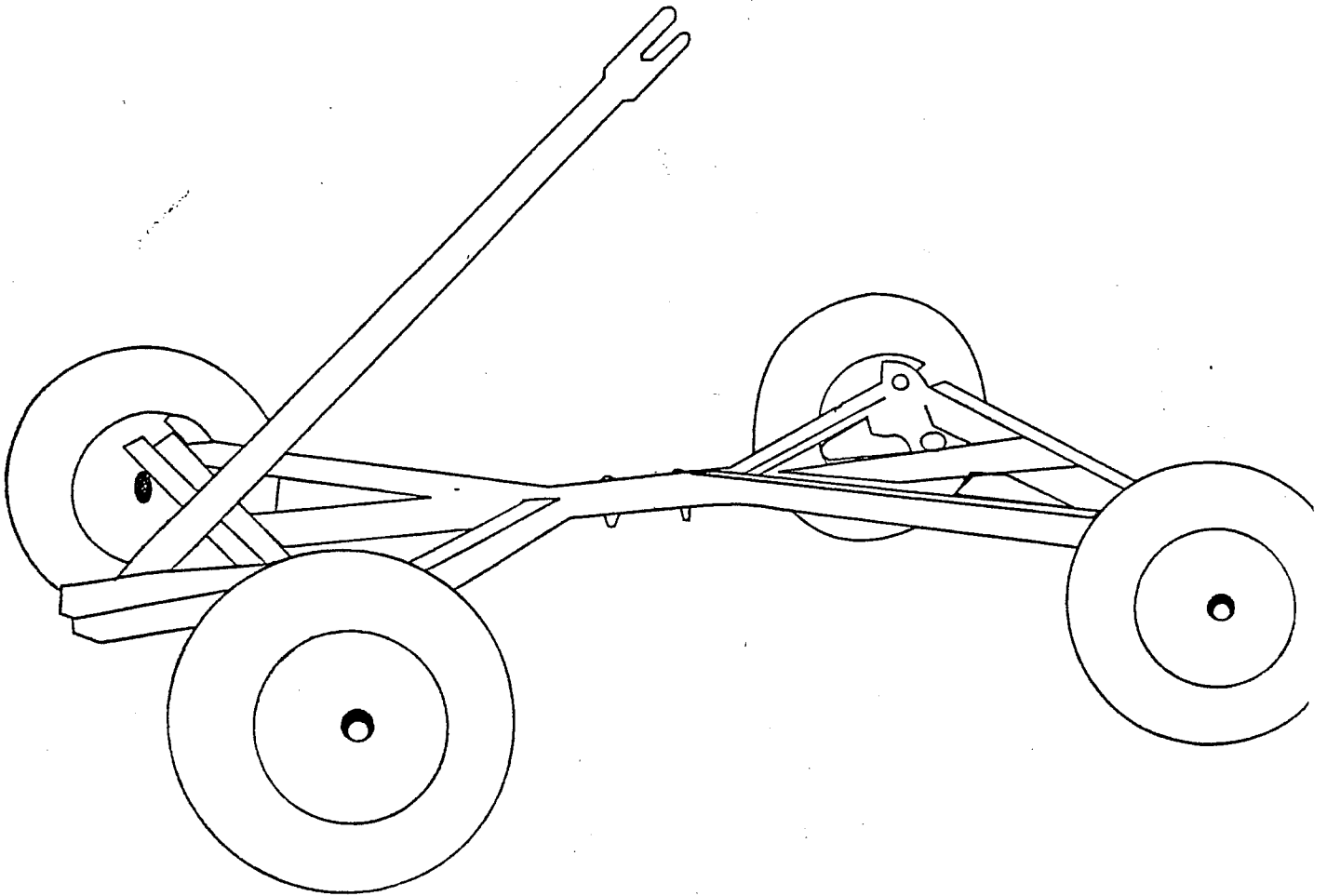
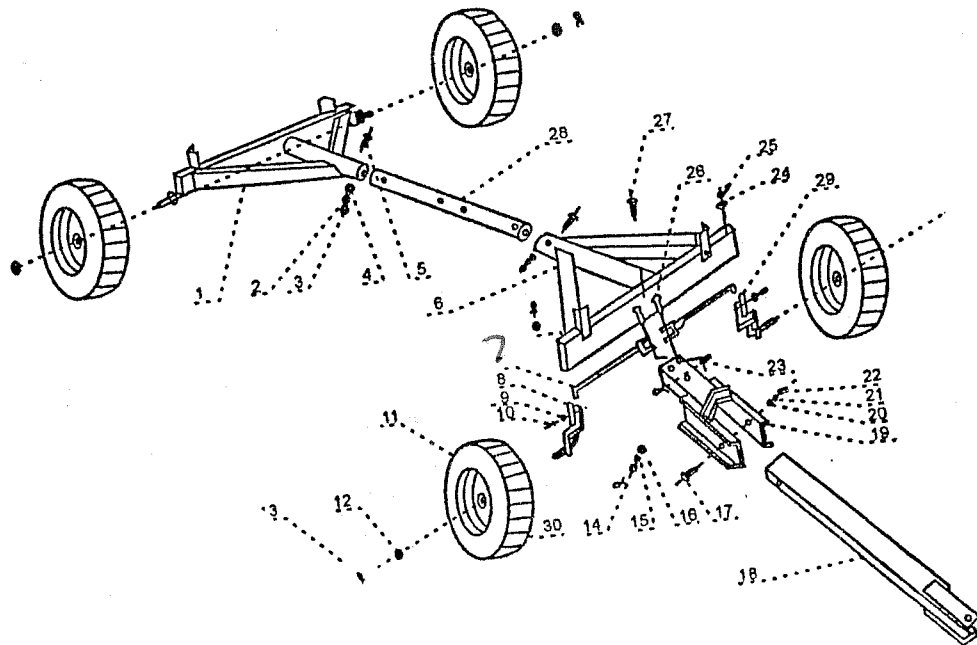


125415

TC3001 2200LB CAR UTILITY WAGON

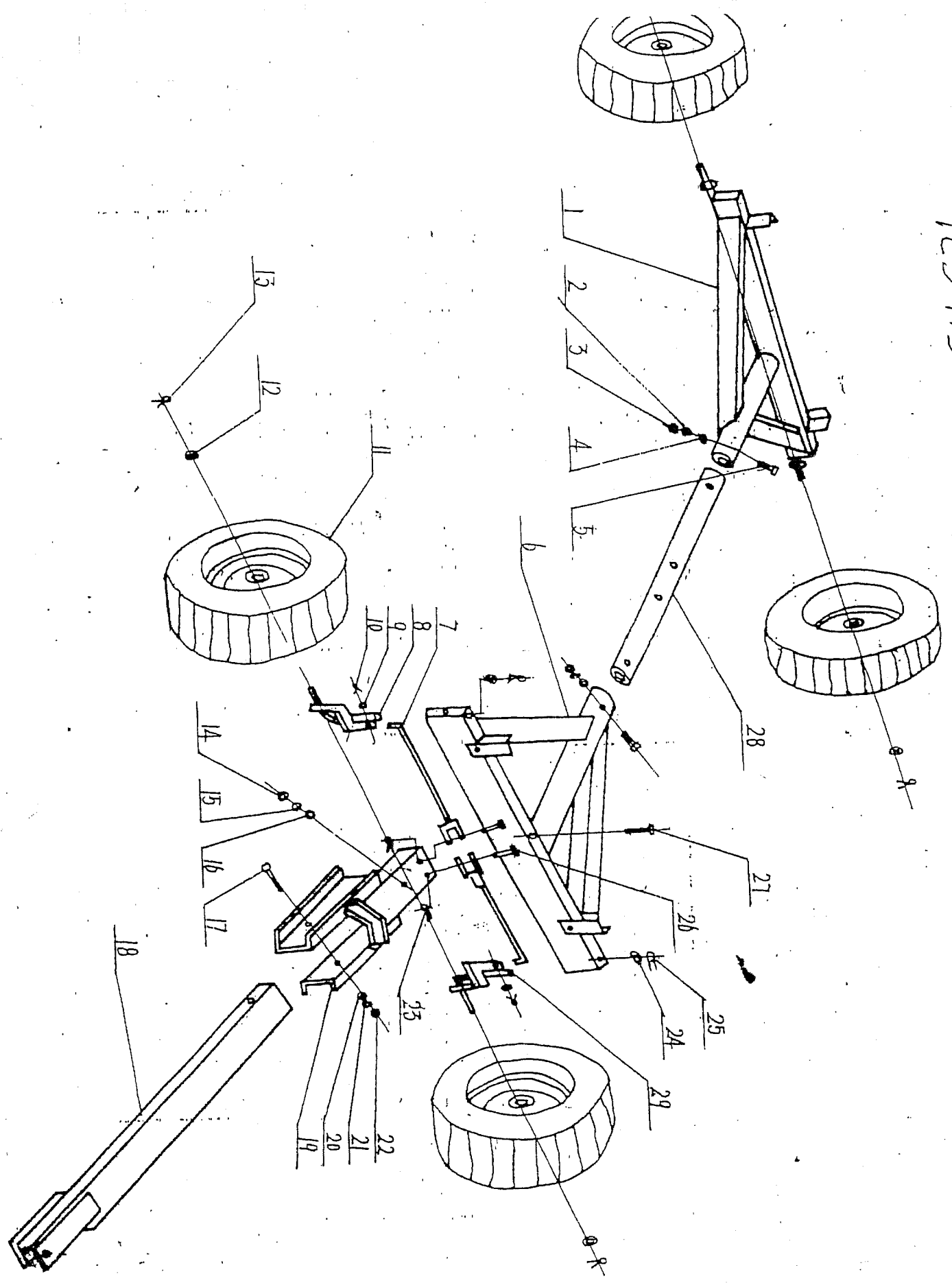


125415




NO:	Description	Q'TY	NO:	Description	Q'TY
1	Back Ass Stand	1	16.	Washer $\phi 17$	1
2	Lock Washer $\phi 8$	2	17.	Bolt M12x75	1
3	Nut M8	2	18.	Hand Device	1
4.	Washer $\phi 8$	2	19.	Revolve Stand	1
5.	Bolt M8x65	2	20.	Washer $\phi 12$	1
6.	Front Ass Stand	1	21.	Lock Washer $\phi 12$	1
7	Lever	4	22.	Nut M12	1
8.	Left Shaft	1	23.	Pin $\phi 3 \times 33$	2
9.	Washer $\phi 10$	2	24.	Washer $\phi 20$	2
10.	Pin $\phi 3 \times 30$	2	25.	Pin $\phi 4 \times 40$	2
11.	Wheel	4	26.	Pin	2
12.	Washer $\phi 20$	4	27.	Bolt M12x110	1
13.	Pin $\phi 4 \times 40$	4	28.	Adapter	1
14.	Nut M12	1	29.	Right Shaft	1
15.	Lock Washer 12	1	30.	Pin $\phi 4 \times 10$	1

125415



Good #s Match 125415
computer

Parts list for model #03813 2200 lb Capacity wagon

Part #	Qty.	Description
#1 03813-1	1	Tongue
#2 03813-2	1	Short Tongue
#3 03813-3	1	Front Axle Assembly
#4 03813-4	1	Inner Reach
#5 03813-5	1	Back Axle Assembly
#6 03813-6	4	Wheels
#7 03813-7	2	Front Spindles
#8 03813-8	2	Tie Rods
#9 03813-9	4	Bracket Posts 
#10 03813-10	1	1/2 X 4 1/2" Grade 8 King Bolt and Locknut
#11 03813-11	1	1/2 X 3" Grade 8 Bolt and Locknut
#12 03813-12	4	5/16 X 2 1/4" Grade 2 Bolt and Locknut
#13 03813-13	2	3/8 X 2 1/2" Grade 8 Bolt and Locknut
#14 03813-14	2	3/4" SAE Washers
#15 03813-15	6	5/32 X 1 1/4" Cotter Pin

Note:

Please grease all moving parts where grease fitting is located. (grease not included). Before using and also from time to time afterwards to get longer lifetime from your wagon.

Please visit our website to view other products manufactured by Millside Industries.

Any questions or comments about this wagon please contact us at 1-866-449-4343. **Do not return this product to the retailer.**

Attention:

For bolt #10 we have included a 1/2" washer which is to go between front steering and short tongue to prevent scratching when turning.

#125415

Parts list for model #03813 2200lb Capacity wagon

Part #	#of pcs	Description
#1 03813-1	1	Tongue
#2 03813-2	1	Short Tongue
#3 03813-3	1	Front Axle Assembly
#4 03813-4	1	Inner Reaxh
#5 03813-5	1	Back Axle Assembly
#6 03813-6	4	Wheels
#7 03813-7	2	Front Spindles
#8 03813-8	2	Tie Rods
#9 03813-9	4	Bracket Posts
#10 03813-10	1	1/2 X 4-1/2 Grade 8 King Bolt and Locknut
#11 03813-11	1	1/2 X 3" Grade 8 Bolt and Locknut
#12 03813-12	4	5/16 X 2-1/4" Grade 2 Bolt and Locknut
#13 03813-13	2	3/8 X 2-1/2" Grade 8 Bolt and Locknut
#14 03813-14	2	3/4" SAE Washers
#15 03813-15	6	5/32 X 1-1/4 Cottg Pin

Note:

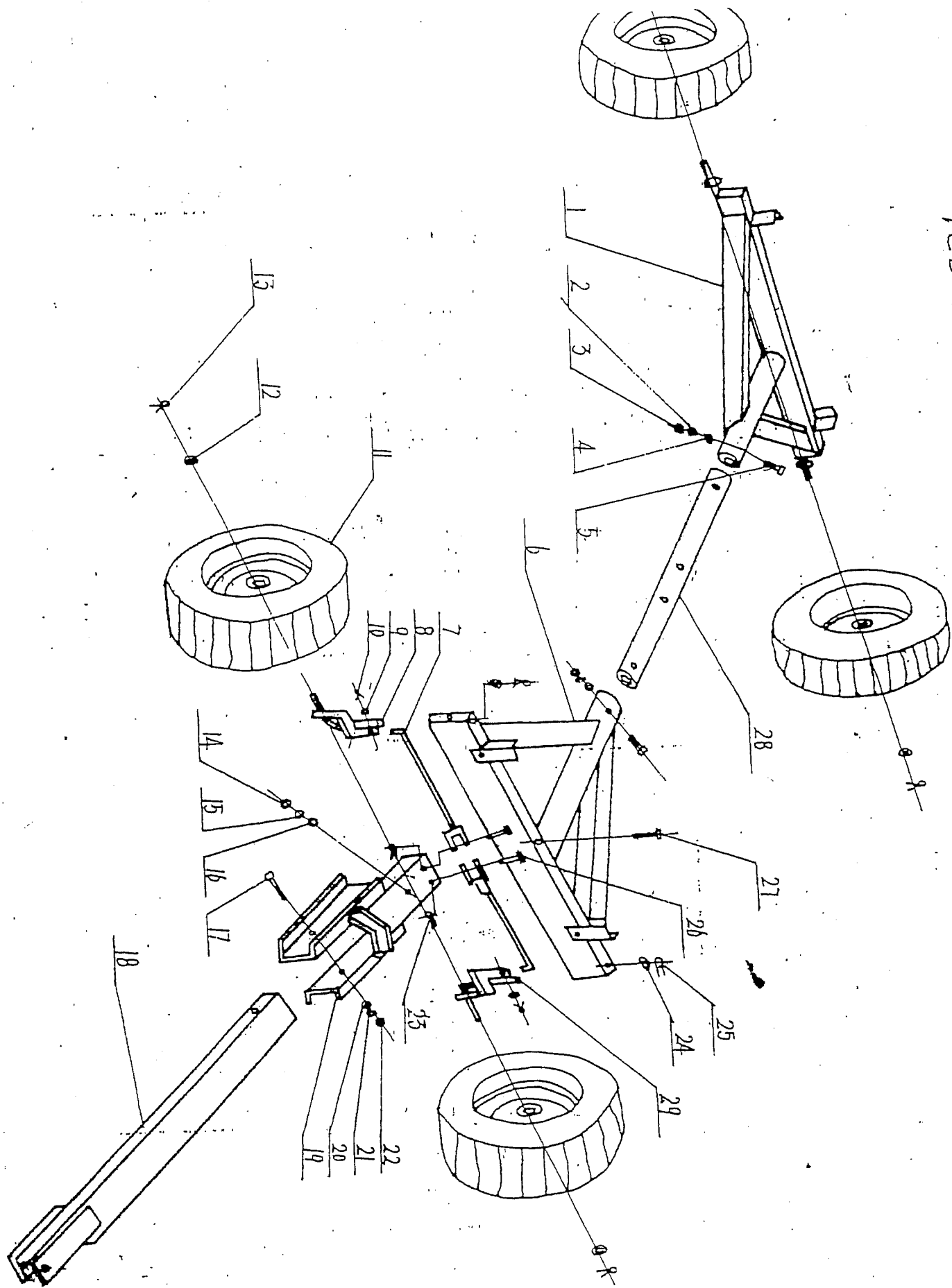
Please grease all moving parts where grease fitting is located (grease not included). Before using and also from time to time afterwards to get longer lifetime for your wagon.

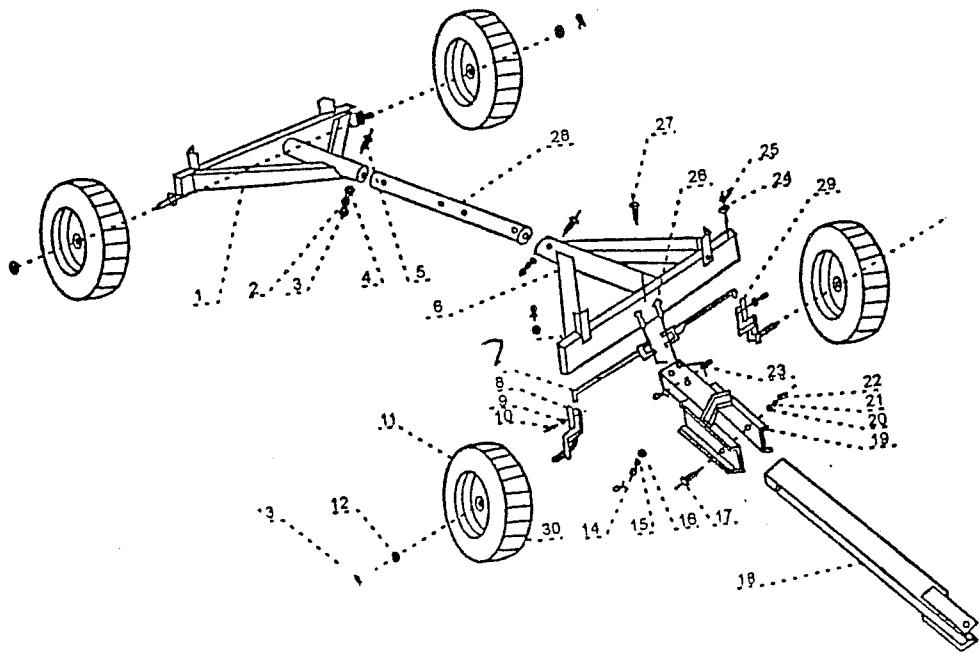
Please visit our website to view other products mfg by SMB MFG INC.

Any questions or comments about this wagon please contact us @ 1-800-663-3955. Do not return this product to the Retailer.

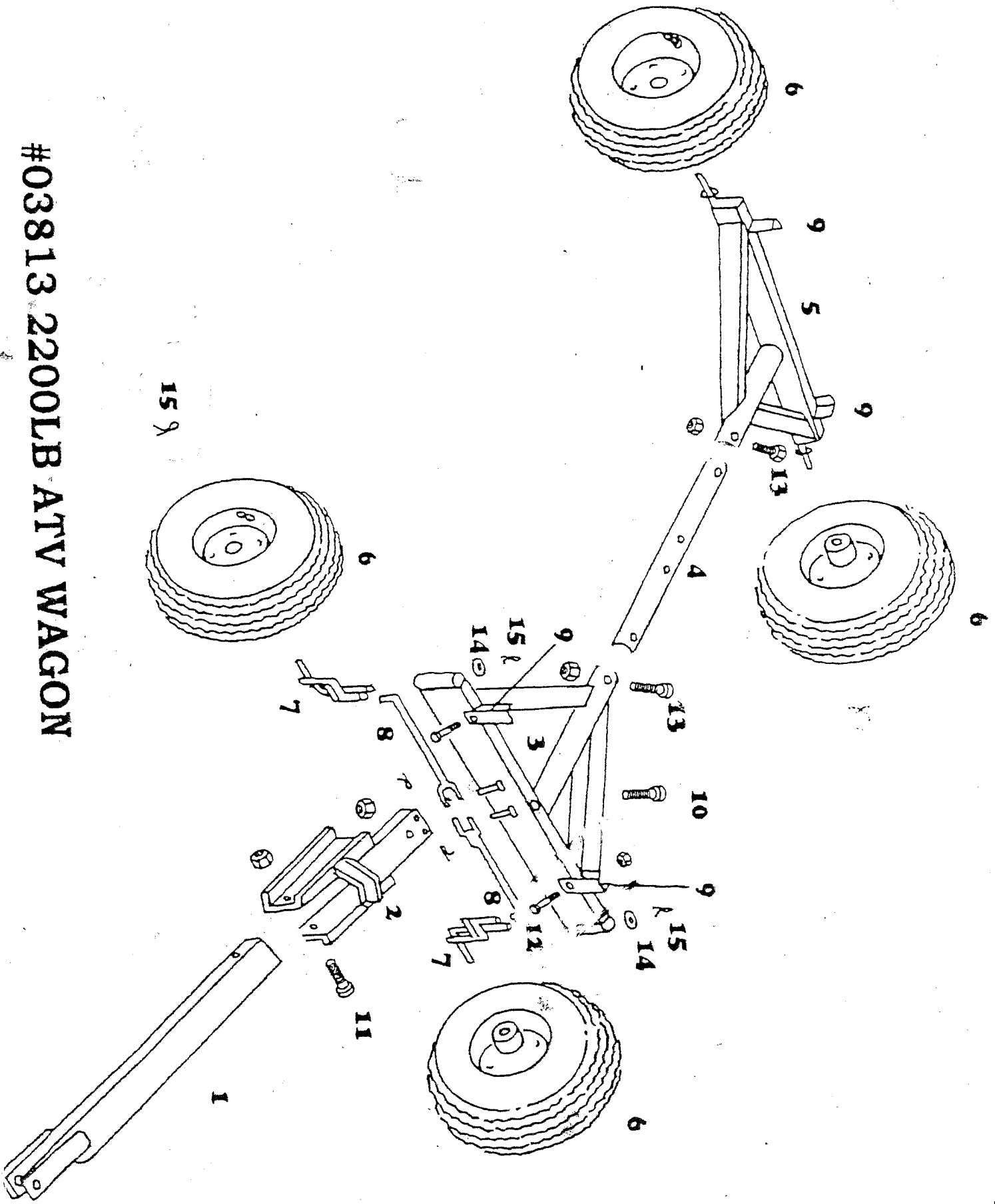
Attention: For bolt # 10 we have included a 1/2" washer which is to go between front steering and short tongue. To prevent scratching when turning.

125415





NO:	Description	Q'TY	NO:	Description	Q'TY
1	Back Ass Stand	1	16.	Washer $\phi 17$	1
2	Lock Washer $\phi 8$	2	17.	Bolt M12x75	1
3	Nut M8	2	18.	Hand Device	1
4.	Washer $\phi 8$	2	19.	Revolve Stand	1
5.	Bolt M8x65	2	20.	Washer $\phi 12$	1
6.	Front Ass Stand	1	21.	Lock Washer $\phi 12$	1
7	Lever	4	22.	Nut M12	1
8.	Left Shaft	1	23.	Pin $\phi 3 \times 33$	2
9.	Washer $\phi 10$	2	24.	Washer $\phi 20$	2
10.	Pin $\phi 3 \times 30$	2	25.	Pin $\phi 4 \times 40$	2
11.	Wheel	4	26.	Pin	2
12.	Washer $\phi 20$	4	27.	Bolt M12x110	1
13.	Pin $\phi 4 \times 40$	4	28.	Adapter	1
14.	Nut M12	1	29.	Right Shaft	1
15.	Lock Washer 12	1	30.	Pin $\phi 4 \times 10$	1



#03813 2200LB ATV WAGON