



# POWERHORSE<sup>®</sup>

RETRACTABLE HIGH PRESSURE HOSE REEL  
WITH 50FT HOSE  
Owner's Manual



**WARNING:** Read carefully and understand all ASSEMBLY AND OPERATION INSTRUCTIONS before operating. Failure to follow the safety rules and other basic safety precautions may result in serious personal injury.

Item #115159

**READ & SAVE THESE INSTRUCTIONS**

Thank you very much for choosing a Powerhorse™ product!

For future reference, please complete the owner's record below:

Serial Number/Lot Date Code: \_\_\_\_\_

Purchase Date: \_\_\_\_\_

Save the receipt, warranty, and this manual. It is important that you read the entire manual to become familiar with this product before you begin using it.

This hose reel is designed for certain applications only. Northern Tool and Equipment is not responsible for issues arising from modification or improper use of this product such as an application for which it was not designed. We strongly recommend that this product not be modified and/or used for any application other than that for which it was designed.

For technical questions, please call **1-800-222-5381**.

## Table of Contents

<b>Intended Use</b> .....	4
<b>Packaging Contents</b> .....	4
<b>Technical Specifications</b> .....	4
<b>Important Safety Information</b> .....	4
<b>Specific Operation Warnings</b> .....	6
<b>Assembly</b> .....	7
Connect the hoses .....	7
<b>Before Each Use</b> .....	8
<b>Operating Instructions</b> .....	8
Spring Tension Adjustment .....	9
<b>After Each Use</b> .....	9
<b>Maintenance</b> .....	9
Hose Replacement .....	10
Swivel Seal Replacement.....	10
<b>Parts Diagram</b> .....	11
<b>Parts List</b> .....	11
<b>Troubleshooting</b> .....	13
<b>Replacement Parts</b> .....	13
<b>Limited Warranty</b> .....	14

## Intended Use

The Powerhorse hose reel is intended for a variety of heavy-duty applications such as construction, service, and industries.

## Packaging Contents

- Hose reel with hose
- Lead-in hose

## Technical Specifications

Property	Specification
Net Weight (lb.)	48
Hose Fitting Size (in. NPT)	3/8
Hose Diameter (in.)	3/8
Hose Length (ft.)	50
Max. PSI	4000
Hose Material	Rubber
Dimensions L x W x H (in.)	16.93 x 17.13 x 7.36
Hose Application	Water, Air
Temp Range (°F)	0 ~ 194
Lead-in hose Length (ft.)	6

## Important Safety Information

### **⚠️WARNING**

- Read and understand all instructions. Failure to follow all instructions may result in serious injury or property damage.
- The warnings, cautions, and instructions in this manual cannot cover all possible conditions or situations that could occur. Exercise common sense and caution when using this tool. Always be aware of the environment and ensure that the tool is used in a safe and responsible manner.
- Do not allow persons to operate or assemble the product until they have read this manual and have developed a thorough understanding of how it works.
- Do not modify this product in any way. Unauthorized modification may impair the function and/or safety and could affect the life of the product. There are specific applications for which the product was designed.
- Use the right tool for the job. DO NOT attempt to force small equipment to do the work of larger industrial equipment. There are certain applications for which this equipment was designed. This product will be safer and do a better job at the capacity for which it was intended. DO NOT use this equipment for a purpose for which it was not intended.
- Industrial or commercial applications must follow OSHA requirements.

## **⚠️WARNING**

### **WORK AREA SAFETY**

- Inspect the work area before each use. Keep work area clean, dry, free of clutter, and well-lit. Cluttered, wet, or dark work areas can result in injury. Using the product in confined work areas may put you dangerously close to cutting tools and rotating parts.
- Do not use the product where there is a risk of causing a fire or an explosion; e.g., in the presence of flammable liquids, gases, or dust. The product can create sparks, which may ignite the flammable liquids, gases, or dust.
- Keep children and bystanders 20 ft from the work area while operating the tool. Do not allow children to handle the product.
- This machine is to be operated by one person only. When operating the machine, only stand in the operator feed area.
- Be aware of all power lines, electrical circuits, water pipes, and other mechanical hazards in your work area. Some of these hazards may be hidden from your view and may cause personal injury and/or property damage if contacted.
- Do not tilt or transport the machine while it is operating. Only operate this machine in open space (e.g. not close to a wall or other fixed object) on a flat, level surface away from.

## **⚠️WARNING**

### **PERSONAL SAFETY**

- Stay alert, watch what you are doing, and use common sense when operating the tool. Do not use the tool while you are tired or under the influence of drugs, alcohol, or medication. A moment of inattention while operating the tool may result in serious personal injury.
- Dress properly. Do not wear loose clothing, dangling objects, or jewelry. Keep your hair, clothing and gloves away from moving parts. Loose clothes, jewelry, or long hair can be caught in moving parts. Air vents on the tool often cover moving parts and should be avoided.
- Keep hands and feet away from inlet and discharge openings.
- Avoid burns from engine by not touching hot exhaust.
- Check that the split housing is fastened shut.
- Wear the proper personal protective equipment when necessary. Use ANSI Z87.1 compliant safety goggles (not safety glasses) with side shields, or when needed, a face shield. Use a dust mask in dusty work conditions. Also use non-skid safety shoes, hardhat, gloves, dust collection systems, and hearing protection when appropriate. This applies to all persons in the work area.
- Do not overreach. Keep proper footing and balance at all times. Never stand at a higher level than the base of the machine when feeding material into it. Ensure that there are no tripping hazards in the feed area.
- Carbon Monoxide Warning. The running engine gives off carbon monoxide, a poisonous gas that can kill you. You CANNOT smell it, see it, or taste it. If you start to feel sick, dizzy, or weak while using the chipper, shut off the engine and get to fresh air immediately. See a doctor. You may have carbon monoxide poisoning.

## **⚠️WARNING**

### **REEL USE AND CARE**

- Check for damaged parts before each use. Carefully check that the reel will operate properly and perform its intended function. Replace damaged or worn parts immediately. Never operate the reel with a damaged part.
- Disconnect the air or fluid supply from the reel before making any adjustments, changing accessories, or storing the tool. Such preventive safety measures reduce the risk of starting the tool accidentally.
- Use only accessories that are recommended by the manufacturer for use with the reel. Accessories that may be suitable for one reel may create a risk of injury when used with another reel. Never use an accessory that has a higher operating pressure than the reel itself.
- Inspect the reel, hose, and accessories for damage or excessive wear before each use. If you find damage do not use the reel.

## **Specific Operation Warnings**

### **⚠️WARNING**

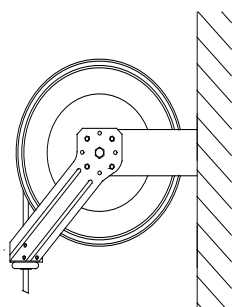
- Wear ANSI Z87.1 compliant safety goggles or safety glasses with side shields when assembling and using the hose reel.
- Assemble the hose reel on a clean workbench.
- Keep children away from the work area. If not in use, store out of the reach of children.
- Ensure that reel is properly installed before connecting input and output hoses.
- Make sure incoming pressure does not exceed the rated pressure for reel.
- Before connecting a pressure source, ensure that supply pressure does not exceed maximum working pressure rating of reel.
- Never attach any tool or accessory to the hose unless it is capable of safely operating at a pressure greater than the supply pressure.
- If a leak occurs in the hose or reel, remove system pressure immediately.
- If reel ceases to unwind or rewind, remove system pressure immediately.
- Do not kink the hose. Do not step on the hose or drive or drag objects over the hose. Do not place any objects on the hose or hose reel.
- Pull the hose from the reel by grasping the hose itself, not the valve.
- Bleed fluid/gas pressure from reel before servicing it.
- Use soap and water when checking for air leaks. Exposure of skin directly to pressurized air or fluids could result in severe bodily injury.
- Remember, even low pressure is very dangerous and can cause personal injury or death.

## Assembly

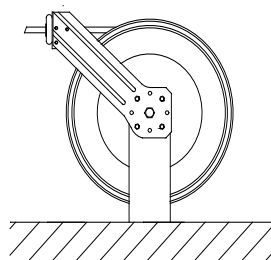
### ⚠ WARNING

- To avoid a dangerous sudden release of pressure that can cause severe injury, ensure that the pressure source for the reel is turned off and the supply hose is not pressurized.
- Note: Before beginning assembly/installation, purchase appropriate hardware for mounting the reel. The mounting base has four 11mm holes for mounting on a suitable flat surface.
- The hose reel can only be suspended below 2 meters high.
- Pay attention to the water pressure of the hose reel during installation, and ensure that it is within the rated pressure range (bearing under pressure of up to 300 kilograms).

1. Prior to mounting the hose reel, ensure that the supply hose pressure does not exceed the maximum working pressure of the hose reel. Also check that the pressure source is turned off and the supply hose for the reel is not pressurized.
2. Unpack the reel then check that all parts are present and inspect for damage. Check reel function for smooth rotation.
3. Fasten the mounting base in the desired location. Tighten all hardware securely.
4. The arm that guides the hose on and off the reel can be repositioned for better function as shown in the picture below. If desired, follow steps 4 through 6 to reposition the arm. Otherwise continue with step 7.



Wall



Floor

5. Pull out the hose until the reel latches.
6. Remove the four sets of nuts and washers holding the arm to the base.
7. Turn the arm to a desired position, aligning the arm mounting holes with the holes in the flange of the base, and retighten the nuts and washers.

### Connect the hoses

8. Apply Teflon tape or pipe sealant to the supply hose threads then attach it to end fitting of the reel's swivel and tighten. If not already connected, the unpressurized supply hose can now be connected to the supply source.

If the reel was supplied with hose already wound on it, continue with step 13. If not, continue with the next step.

9. Turn the reel drum by hand until the rewind spring is tight, and drum has latched. As an extra precaution while installing the new hose, secure the drum in its latched position.
10. Insert the end of the delivery hose through roller bracket and feed it through the opening in the drum flange.
11. Use Teflon tape or pipe sealant on the hose fitting threads then screw it into the fitting of the short hose attached to the reel's swivel and tighten. Note: To avoid damage to the swivel, use a wrench to support the swivel while tightening the hose.
12. Attach the ball stop to the other end of delivery hose.
13. Carefully release the drum latch, and slowly allow hose to wind onto the reel in a controlled way making sure the hose winds in even, straight turns on the reel.
14. Apply Teflon tape or pipe sealant to the outlet fitting on the delivery hose then attach it to a desired tool, or nozzle. Pressurize the reel and check all the connections for leakage. Also check the hose reel for correct rotation/latching and that system pressure is adequate to perform the intended function (see the Operating Instructions).
15. If a final adjustment to the ball stop is required, pull the hose from the reel and allow it to latch at a desired length. Loosen the ball stop bolts, and slide it to a position close to the roller bracket. Retighten the ball stop bolts.

## Before Each Use

### ⚠WARNING

- Ensure that the hose reel is in proper working order before use.
- Inspect the hose reel fittings, alignment, hoses and components periodically before use. Have damaged or worn components repaired or replaced by an authorized technician

## Operating Instructions

Check the reel for correct operation by slowly pulling out the hose. A "clicking" noise will be heard every half revolution of the drum.

To latch the reel, pull out the hose then allow it to retract after hearing the first, second, or third "click".

To unlatch the reel, slowly pull out the hose until the "clicking" noise stops then, holding on to the hose, let it retract in a controlled way until the stop/block rests against the hose guide/rollers.

Keep the hose and air-tools or nozzles dry, clean, and free from oil and grease.

Periodically clean the hose with a cloth dipped in warm water to remove dirt or deposits and ensure correct winding on the reel. Do not use detergents or solvents which could prove incompatible with cable-winder materials.

Also periodically check the hose condition for wear or damage, and check the swivel fitting for leakage. See the maintenance section for tips to replace any worn, damaged, or leaking parts.

## Spring Tension Adjustment

### **⚠ WARNING**

- Avoid accidentally releasing the reel's latching mechanism. The reel is under tension and accidental release can cause a wildly spinning reel and personal injury.

If necessary, adjust spring tension on reel by adding or removing wraps of hose from spool, one wrap at a time, until desired tension is obtained.

1. Pull out approximately 6 or 8 feet of hose and allow the drum to latch.
2. Remove hose stop/block from the hose and pull the hose back through guide/rollers.

### **⚠ CAUTION**

- When adding wraps of hose to the reel, be careful not to exceed the winding mechanism's spring capacity. Add just enough wraps of hose to achieve the desired tension. Damage to the winding mechanism will result if spring is over-tensioned.

3. To increase spring tension, wrap the loose hose one extra turn around the drum or, to decrease tension, un-wrap the hose one turn from drum.
4. Re-insert the hose through guide/rollers and install the stop/block at the desired distance from the hose end.
5. Unlatch the drum and check the tension. Readjust the tension by repeating these steps.

## After Each Use

Inspect the hose reel fittings, alignment, hoses and components periodically after use so that worn or damaged components can be ordered and replaced before the next use. Have damaged or worn components repaired or replaced by an authorized technician.

## Maintenance

Maintain your reel. It is recommended that the general condition of any tool be examined before it is used. Keep your reel in good repair by adopting a program of conscientious repair and maintenance in accordance with the recommended procedures found in this manual.

### **⚠ WARNING**

- If the rewind spring fails, for safety reasons, it is strongly recommended the replacement of the spring canister be performed by an authorized service technician. The spring can be under high tension and accidental release can cause severe personal injury.

User servicing of the reel is limited to replacing input/output hoses and swivel maintenance only. Refer all other repairs to an authorized service technician. Failure to do so can result in person injury and/or equipment damage and may void the warranty.

Use soap and water when checking for air leaks.

## Hose Replacement

### **⚠WARNING**

- To avoid a dangerous sudden release of pressure that can cause severe injury, ensure that the pressure source for the reel is turned off and the supply hose is not pressurized before performing any maintenance or adjustment on the reel.

1. Turn off the pressure supply to reel and release pressure from the system in a controlled way.
2. Make sure reel drum is securely locked in the next step and cannot accidentally spin.
3. Pull out all the old hose and lock the reel in position.
4. Take note of the hose connection, any hose clamps, and the position of the stop/block on the hose.
5. Remove any hose clamps from the hose.
6. Carefully disconnect the hose from its connection and remove it.
7. Route a new equivalent type and size hose through guide/rollers to the old hose connection point.
8. Use Teflon tape or pipe sealant on the hose fitting threads then screw it into the connection fitting on the reel. Note: To avoid damage to a swivel connection, use a wrench to support the swivel while tightening the hose.
9. Re-install any hose clamps and the hose stop/block as noted in step 2.
10. Carefully release the drum latch, and slowly allow the hose to wind onto the reel.
11. Apply Teflon tape or pipe sealant to the outlet fitting on the new hose then attach it to a desired tool, or nozzle. Pressurize the reel and check all the connections for leakage.
12. If needed, adjust the spring tension. See Spring Tension Adjustment in the Operation section.

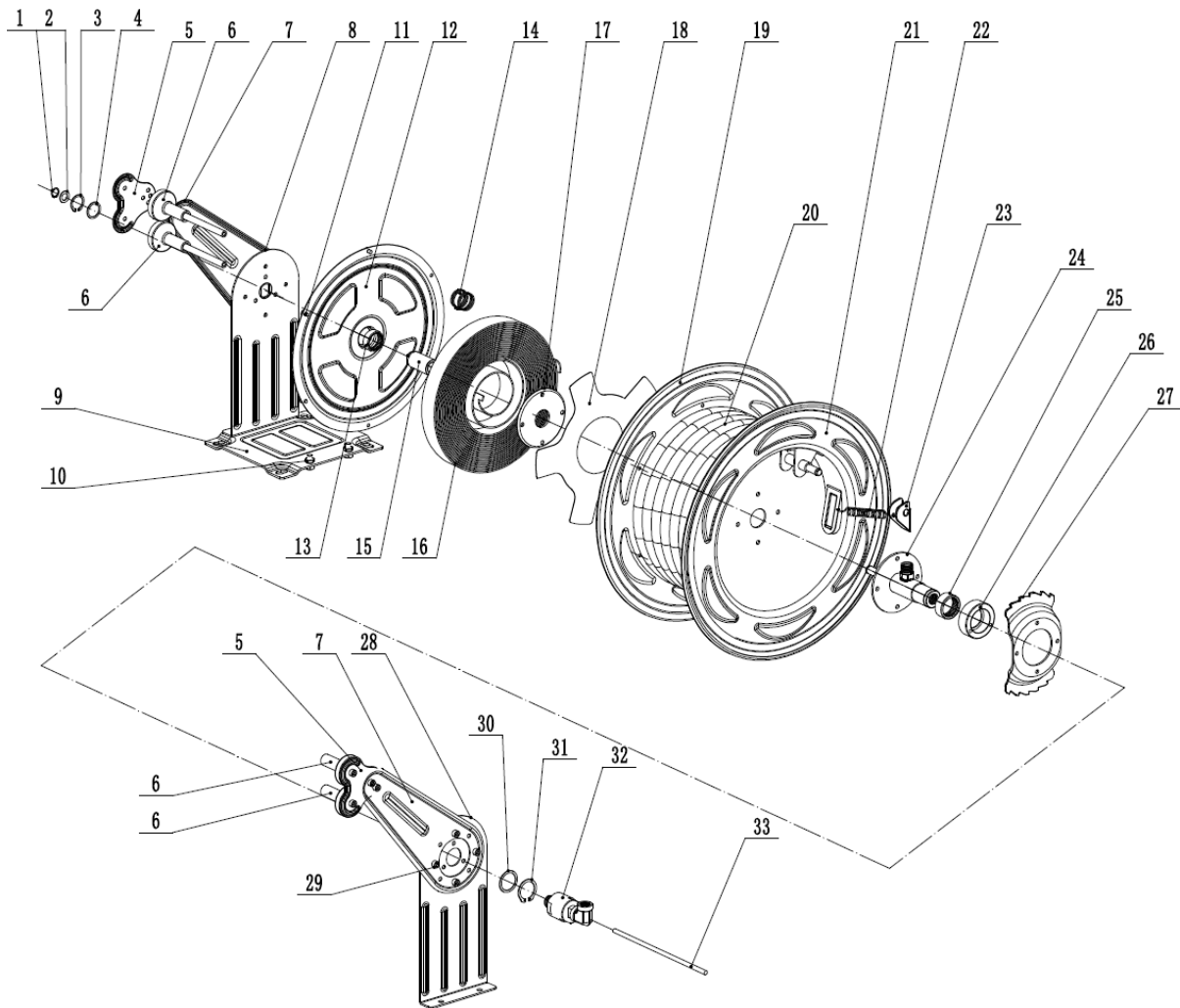
## Swivel Seal Replacement

### **⚠WARNING**

- To avoid a dangerous sudden release of pressure that can cause severe injury, ensure that the pressure source for the reel is turned off and the supply hose is not pressurized before performing any maintenance or adjustment of the reel.

1. Turn off the pressure source, release pressure from the system, and remove the supply hose connection from the swivel.
2. Remove the swivel assembly from reel axle. Note: Removal of the swivel is not absolutely necessary unless a new swivel is being installed.
3. Remove the circlip from swivel, and take it apart.
4. Replace the seals and reassemble the swivel.
5. Use Teflon tape or thread sealant on the swivel threads and reconnect the swivel with the axle.
6. Use Teflon tape or thread sealant on the inlet supply hose threads and reconnect it to the swivel.
7. Pressurize the system and check for leaks.

## Parts Diagram



## Parts List

Part No.	Description	Quantity
1	Circlip $\phi 12$ (outer diameter)	1
2	Washer $\phi 24$ (outer diameter)	1
3	Circlip $\phi 20$ (outer diameter)	1
4	Washer $\phi 28$ (outer diameter)	1
5	Forearm	2
6	pulley	4
7	Oblique arm	2
8	Square hole straight arm	1
9	Base	1
10	Outer hexagonal nut (M8*15)	4
11	Cross flat head screw (M4*10)	6
12	Coil spring cover plate	1
13	Stamped outer ring roller needle spacy bearing ( $\phi 32$ ) Outer diameter	1
14	Double twisted spring	1

<b>Part No.</b>	<b>Description</b>	<b>Quantity</b>
15	Rolling sinus fixing sleeve	1
16	Coil spring	1
17	Center axis disc	1
18	Plastic gasket	1
19	Drum (left)	1
20	Hose	1
21	Drum (right)	1
22	Tension spring	1
23	Pawl	1
24	Central axis	1
25	Stamped outer ring roller needle spicy bearing (φ35) Outer diameter	1
26	Bearing sleeve	1
27	Ratchet teeth	1
28	Round hole straight arm	1
29	Internal hexagonal screw (M6*10)	23
30	Shim φ35 (outer diameter)	1
31	Snap ring φ28 (outer diameter)	1
32	Rotating joint	1
33	Lead-in hose	1

## Troubleshooting

Problem	Solution
Reel will not latch	Contact your local supplier or a qualified technician for service.
Reel is not retracting.	Contact your local supplier or a qualified technician for service.
Air is leaking from a hose connection.	Tighten the leaking connection. If necessary, check whether the threads are stripped or not. If stripped, contact your local supplier or a qualified technician for service.
Air is leaking from the hose.	Check the hose for damage. If damaged, contact your local supplier or a qualified technician for replacement service.

## Replacement Parts

- For replacement parts and technical questions, please call Customer Service at **1-800-222-5381**.
- Not all product components are available for replacement. The illustrations provided are a convenient reference to the location and position of parts in the assembly sequence.
- When ordering parts, the following information will be required: item description, item model number, item serial number/item lot date code, and the replacement part reference number.
- The distributor reserves the rights to make design changes and improvements to product lines and manuals without notice.

## Limited Warranty

Northern Tool and Equipment Company, Inc. ("We" or "Us") warrants to the original purchaser only ("You" or "Your") that the Powerhorse product purchased will be free from material defects in both materials and workmanship, normal wear and tear excepted, for a period of one year from date of purchase. The foregoing warranty is valid only if the installation and use of the product is strictly in accordance with product instructions. There are no other warranties, express or implied, including the warranty of merchantability or fitness for a particular purpose. If the product does not comply with this limited warranty, Your sole and exclusive remedy is that We will, at our sole option and within a commercially reasonable time, either replace the product or product component without charge to You or refund the purchase price (less shipping). This limited warranty is not transferable.

### Limitations on the Warranty

This limited warranty does not cover: (a) normal wear and tear; (b) damage through abuse, neglect, misuse, or as a result of any accident or in any other manner; (c) damage from misapplication, overloading, or improper installation; (d) improper maintenance and repair; and (e) product alteration in any manner by anyone other than Us, with the sole exception of alterations made pursuant to product instructions and in a workmanlike manner.

### Obligations of Purchaser

You must retain Your product purchase receipt to verify date of purchase and that You are the original purchaser. To make a warranty claim, contact Us at 1-800-222-5381, identify the product by make and model number, and follow the claim instructions that will be provided. The product and the purchase receipt must be provided to Us in order to process Your warranty claim. Any returned product that is replaced or refunded by Us becomes our property. You will be responsible for return shipping costs or costs related to Your return visit to a retail store.

### Remedy Limits

Product replacement or a refund of the purchase price is Your sole remedy under this limited warranty or any other warranty related to the product. We shall not be liable for: service or labor charges or damage to Your property incurred in removing or replacing the product; any damages, including, without limitation, damages to tangible personal property or personal injury, related to Your improper use, installation, or maintenance of the product or product component; or any indirect, incidental or consequential damages of any kind for any reason.

### Assumption of Risk

You acknowledge and agree that any use of the product for any purpose other than the specified use(s) stated in the product instructions is at Your own risk.

### Governing Law

This limited warranty gives You specific legal rights, and You also may have other rights which vary from state to state. Some states do not allow limitations or exclusions on implied warranties or incidental or consequential damages, so the above limitations may not apply to You. This limited warranty is governed by the laws of the State of Minnesota, without regard to rules pertaining to conflicts of law. The state courts located in Dakota County, Minnesota shall have exclusive jurisdiction for any disputes relating to this warranty.



**POWERHORSE<sup>®</sup>**

Distributed by:

Northern Tool & Equipment Company, Inc.

Burnsville, Minnesota 55306

[www.northerntool.com](http://www.northerntool.com)

Made in China