

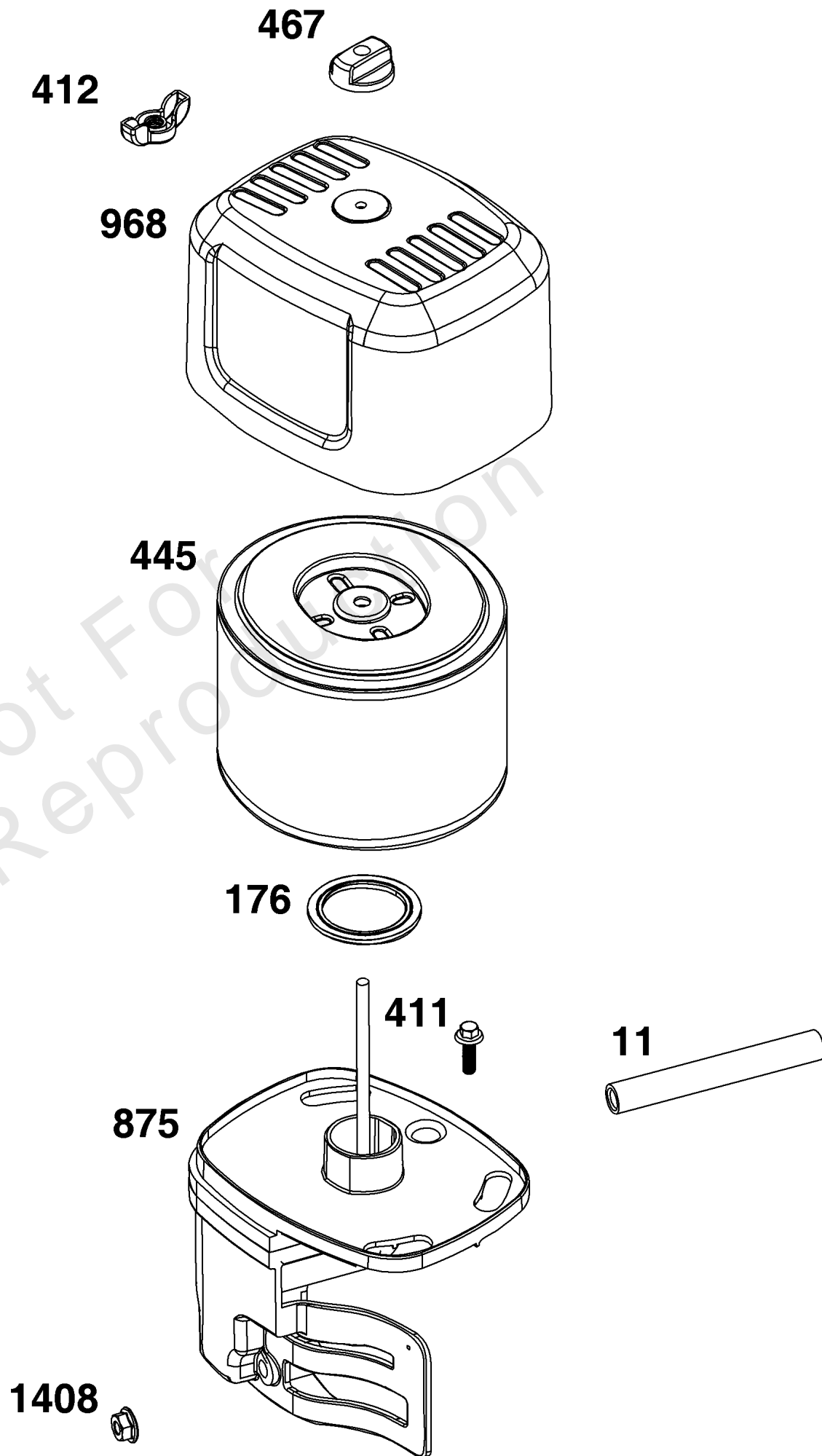


Parts Manual

Mfg. No: 19N137-0242-F1

Model Components	Page
Air Cleaner Group.....	4
Alternator Group.....	6
Blower Housing Group.....	8
Carburetor Group.....	10
Controls Group.....	12
Crankcase Cover/Sump Group.....	14
Crankshaft Group.....	16
Cylinder Group.....	18
Cylinder Head Group.....	20
Flywheel, Ignition, and Starter Group.....	22
Fuel Supply Goup.....	24
Lubrication Group.....	26
Replacement Engine - US & Canada.....	28

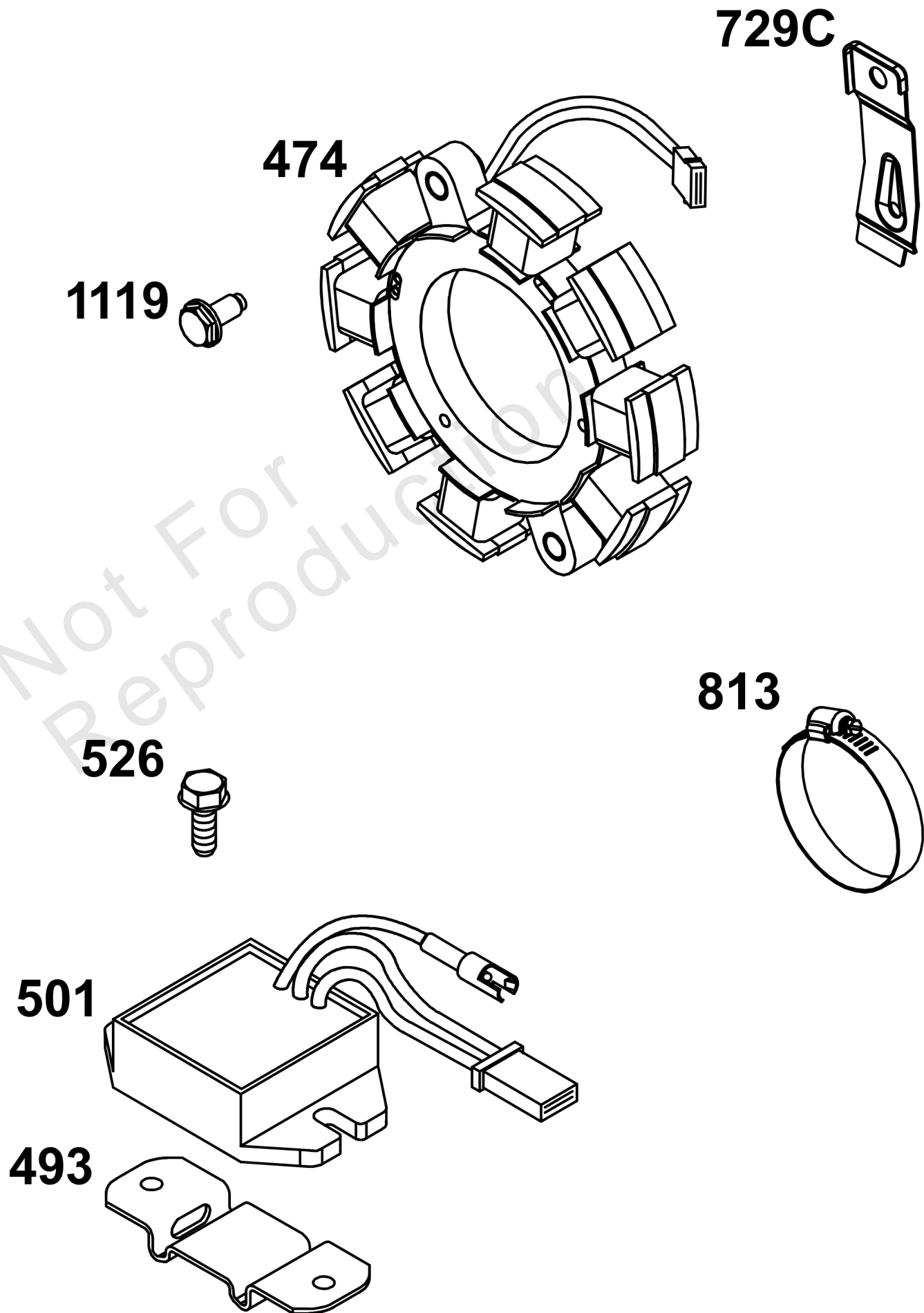
Not For
Reproduction



Air Cleaner Group

REF NO	PART NO	QTY	DESCRIPTION
11	799832	1	TUBE, Breather
176	799834	1	SEAL, O-Ring -(Air Cleaner Base)
411	797686	1	SCREW -(Air Cleaner Base to Air Cleaner Bracket)
412	799830	1	NUT -(Air Cleaner Cover)
445	592605	1	FILTER, A/C Cartridge
467	691985	1	KNOB, Air Cleaner Cover
875	593088	1	BASE, Air Cleaner
968	593087	1	COVER, Air Cleaner
1408	690939	2	NUT -(Air Cleaner Bracket)

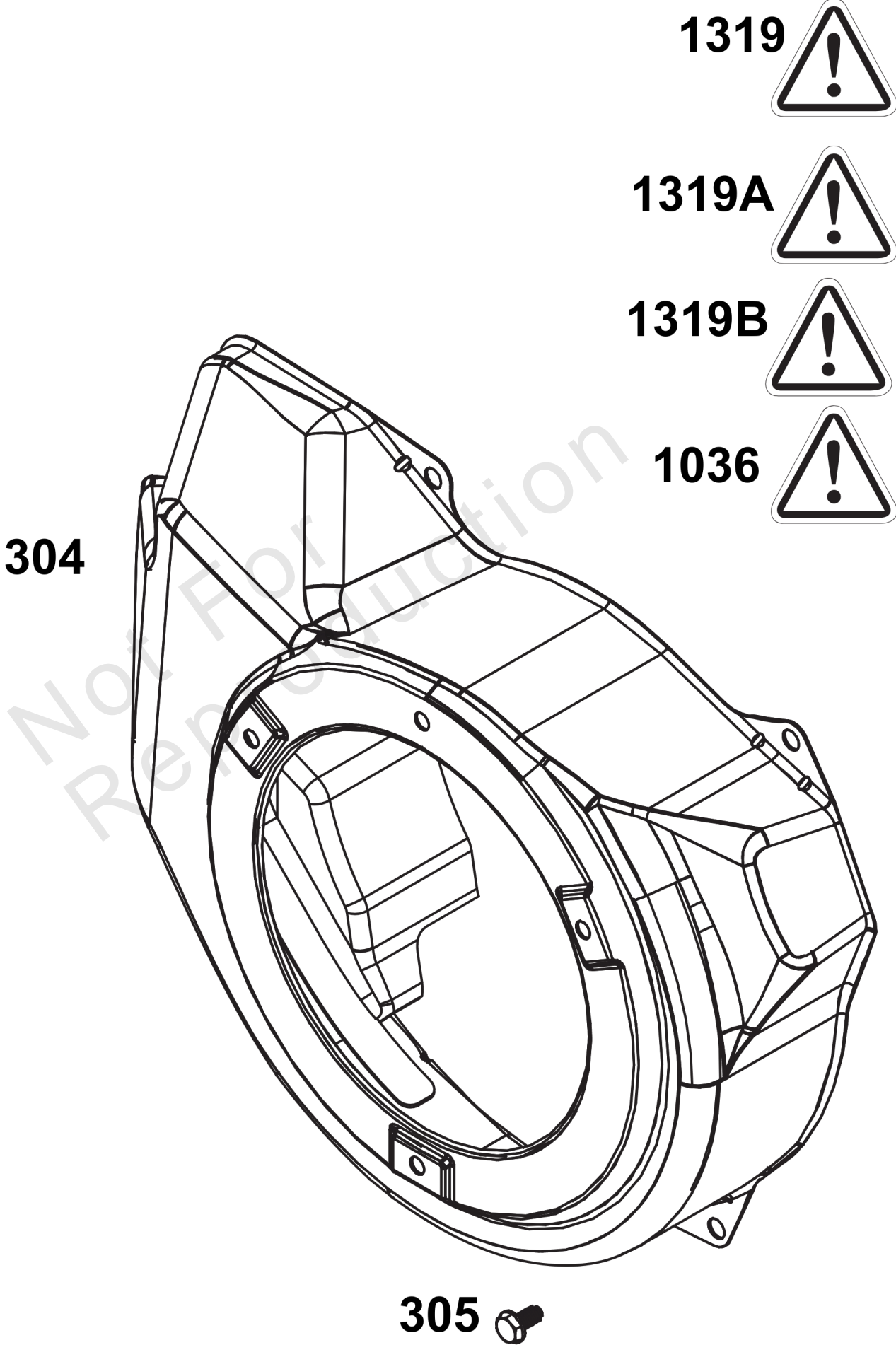
Not For Reproduction



Alternator Group

REF NO	PART NO	QTY	DESCRIPTION
474	591100	1	ALTERNATOR
493	691177	1	BRACKET, Mounting
501	845907	1	REGULATOR
526	690297	2	SCREW -(Regulator)
729C	593137	1	CLIP, Wire
813	590392	1	CLAMP
1119	799845	2	SCREW -(Alternator)

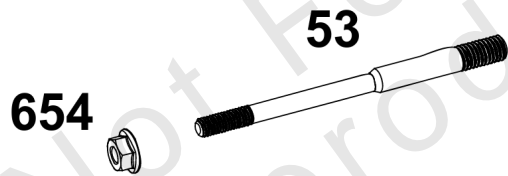
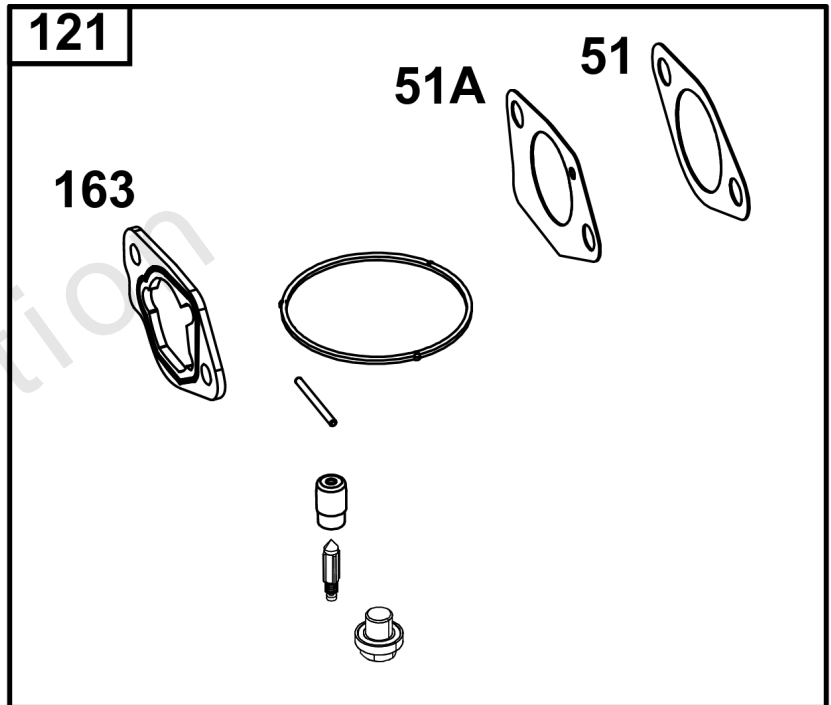
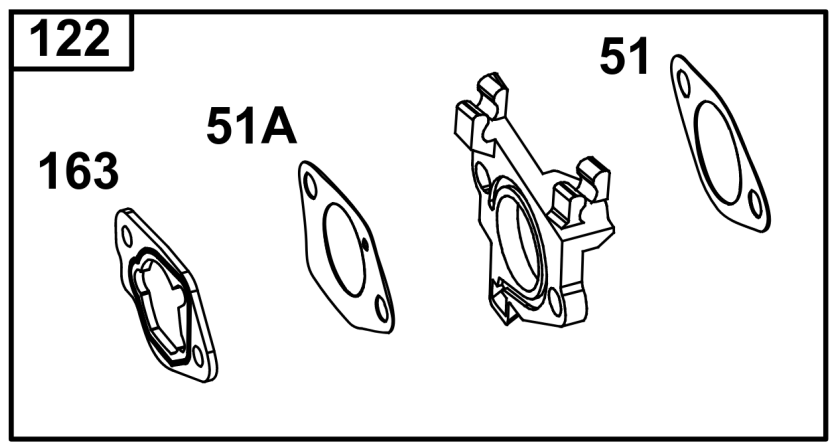
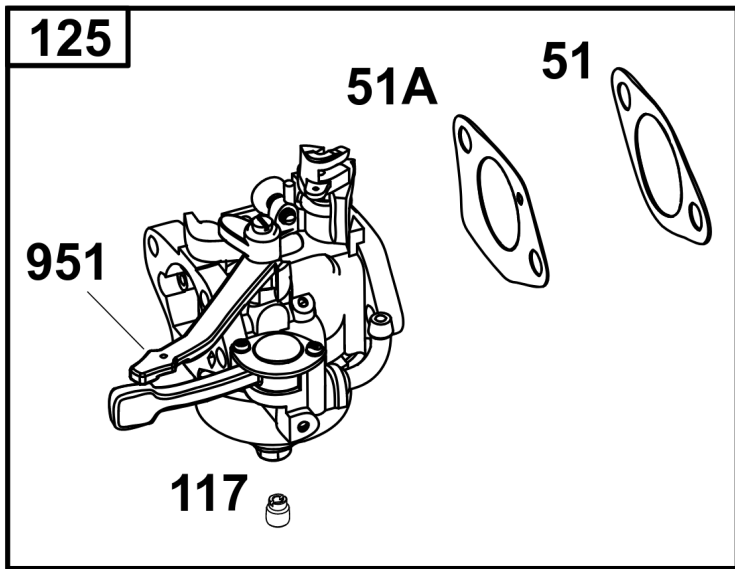
Not For Reproduction



Blower Housing Group

REF NO	PART NO	QTY	DESCRIPTION
304	591785	1	HOUSING, Blower
305	798618	5	SCREW -(Blower Housing)
1036	-----	1	LABEL, Emissions -(Available from a Briggs & Stratton Authorized Dealer)
1319	794467	1	LABEL, Warning -(REQUIRED When Replacing Parts With Warning Labels Affixed)
1319A	797669	1	LABEL, Warning -(REQUIRED When Replacing Parts With Warning Labels Affixed)
1319B	278911GS	1	LABEL, Warning -(Required When Replacing Parts With Warning Labels Affixed)

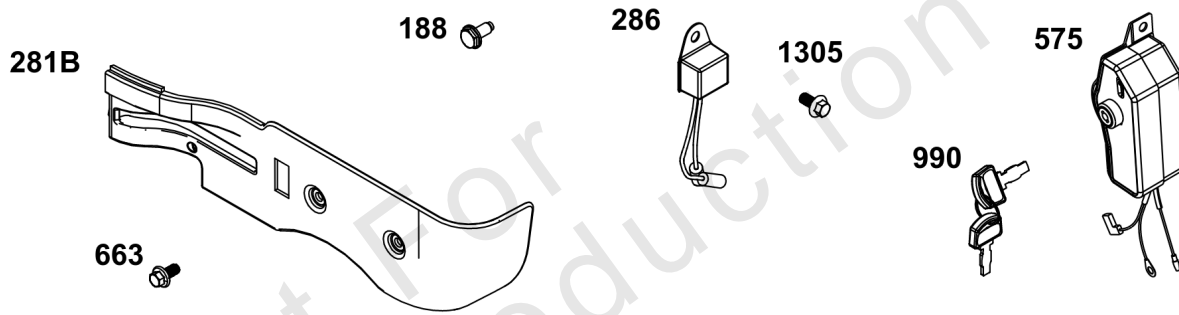
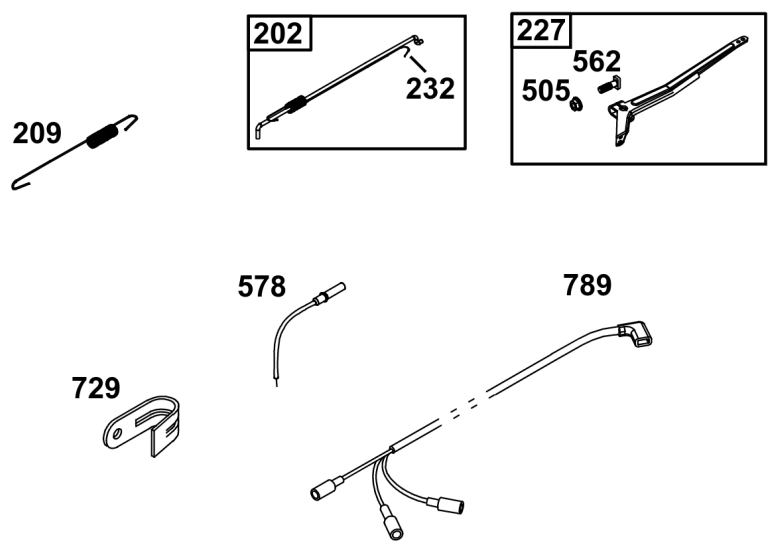
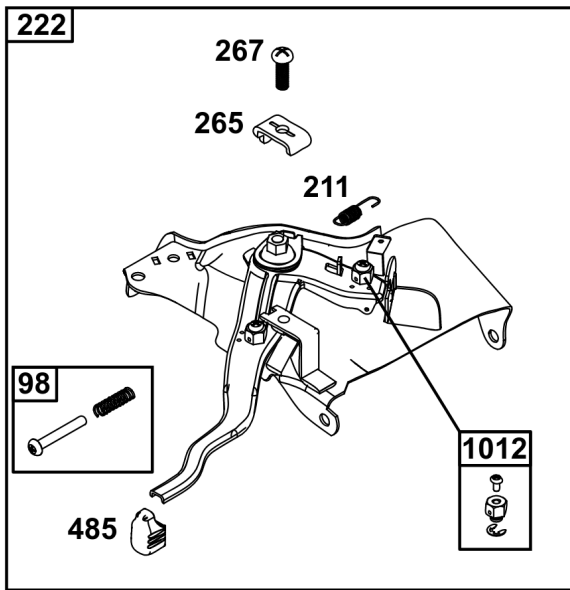
Not For Reproduction



Carburetor Group

REF NO	PART NO	QTY	DESCRIPTION
51	-----	1	GASKET, Intake -(Part information located in Cylinder Head Group.)
51A	-----	1	GASKET, Intake -(Part information located in Cylinder Head Group.)
53	84002349	2	STUD -(Carburetor)
117	592598	1	JET, Main -(Standard)
118	594713	1	JET, Main -(High Altitude)
121	596705	1	KIT, Carburetor Overhaul -(Service Kits may include extra parts not specific to this engine.)
122	596702	1	SPACER, Carburetor
125	592594	1	CARBURETOR
163	799883	1	GASKET, Air Cleaner
654	690939	2	NUT -(Carburetor)
951	593102	1	LEVER, Choke

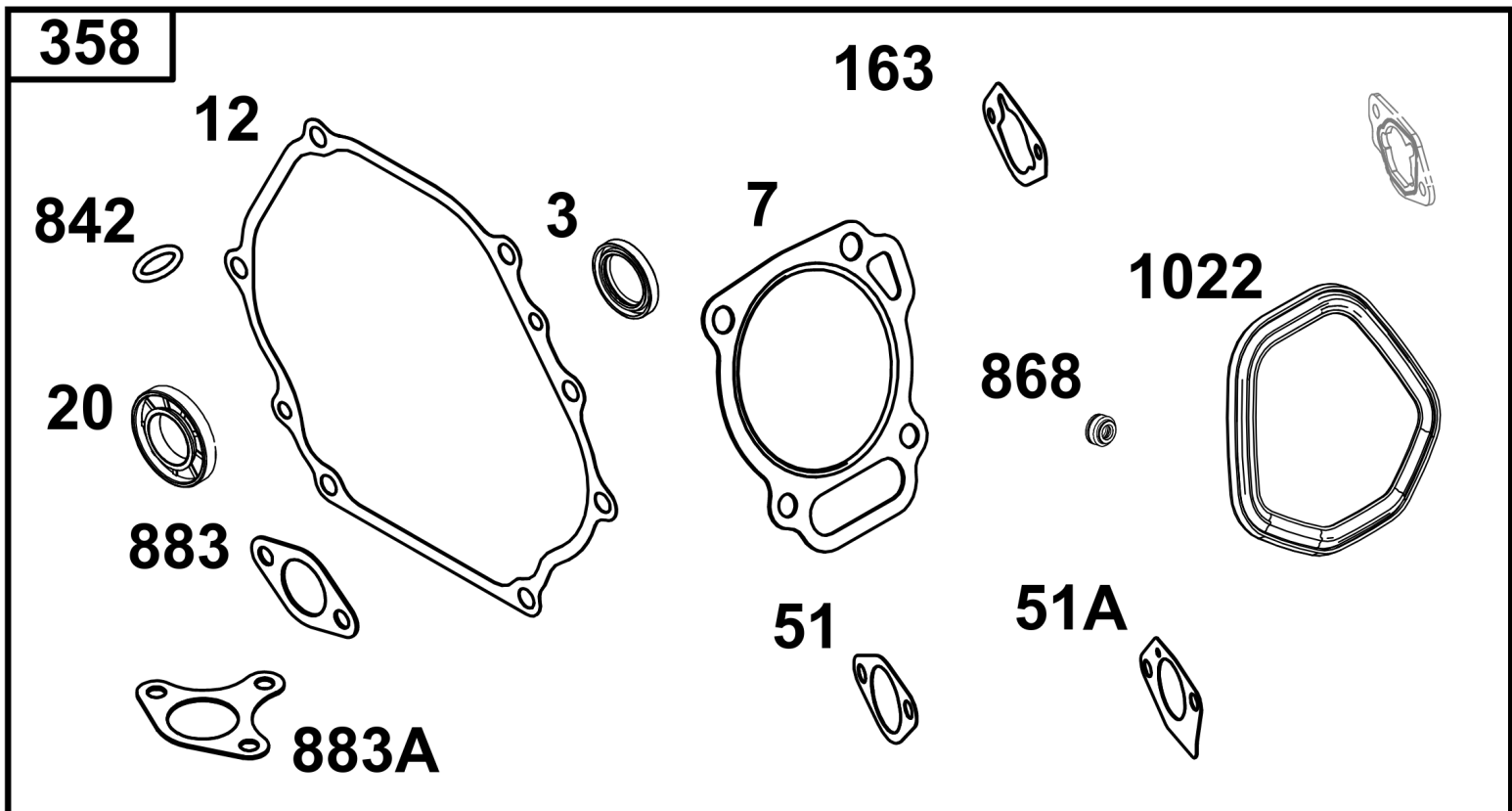
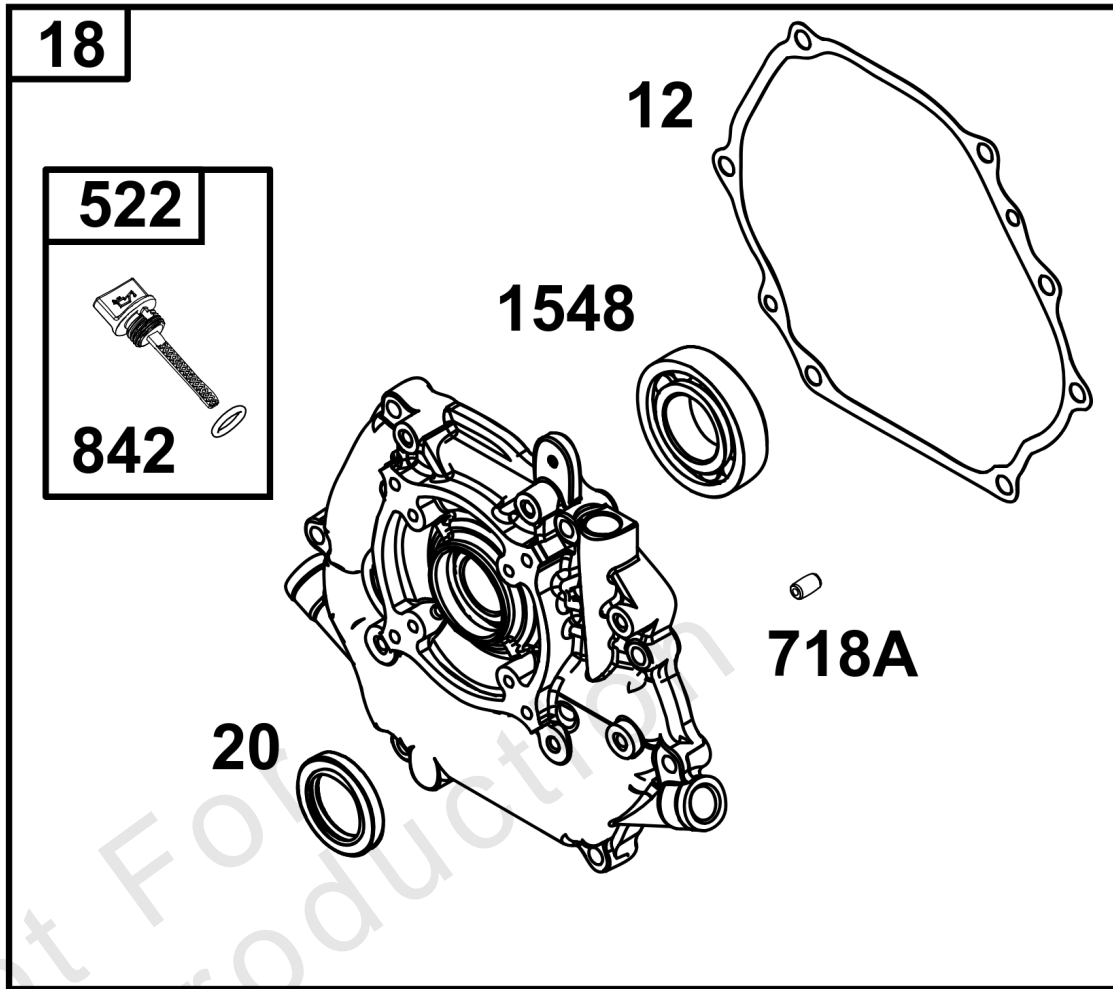
Not For Reproduction



Not For
Reproduction

Controls Group

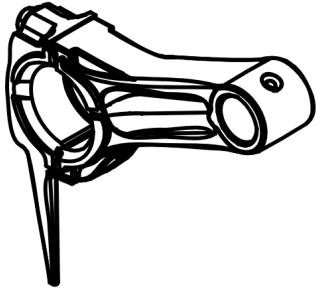
REF NO	PART NO	QTY	DESCRIPTION
98	592978	1	KIT, Idle Speed
188	798618	2	SCREW -(Control Bracket)
202	591834	1	LINK, Mechanical Governor
209	84002364	1	SPRING, Governor
211	799927	1	SPRING, Governed Idle
222	593105	1	BRACKET, Control
227	592616	1	LEVER, Governor Control
232	797809	1	SPRING, Governor Link
265	691024	1	CLAMP, Casing
267	699492	1	SCREW -(Casing Clamp)
281B	593732	1	PANEL, Control
286	84004388	1	MODULE, OIL SENSOR
485	797339	1	KNOB, Control
505	690939	1	NUT -(Governor Control Lever)
562	797230	1	BOLT -(Governor Control Lever)
575	593734	1	SWITCH, Starting
578	596032	1	WIRE ASSEMBLY
663	799846	2	SCREW -(Control Panel)
729	592311	1	CLIP, Wire
789	590372	1	HARNESS, Wiring
990	590996	1	SET, Key
1012	590378	2	RETAINER, Link
1305	798618	1	SCREW -(Oil Sensor Module)



Crankcase Cover/Sump Group

REF NO	PART NO	QTY	DESCRIPTION
3	-----	1	SEAL, Oil -(Part information located in Cylinder Group.)
7	-----	1	GASKET, Cylinder Head -(Part information located in Cylinder Head Group.)
12	592597	1	GASKET, Crankcase
18	84004352	1	COVER, CRANKCASE
20	591793	1	SEAL, Oil -(PTO Side)
22	797776	6	SCREW -(Crankcase Cover/Sump)
22A	593107	1	SCREW -(Crankcase Cover/Sump)
51	-----	1	GASKET, Intake -(Part information located in Cylinder Head Group.)
51A	-----	1	GASKET, Intake -(Part information located in Cylinder Head Group.)
163	-----	1	GASKET, Air Cleaner -(Part information located in Carburetor Group.)
358	84004359	1	GASKET SET, ENGINE -(Service Kits may include extra parts not specific to this engine.)
522	-----	1	PLUG, Dipstick/Fill -(Part information located in Lubrication Group.)
718A	-----	2	PIN, Locating -(Part information located in Cylinder Group.)
842	-----	1	SEAL, O-Ring -(Part information located in Lubrication Group.)
868	-----	1	SEAL, Valve -(Part information located in Cylinder Head Group.)
883	-----	1	GASKET, Exhaust -(Part information located in Exhaust Group.)
883A	-----	1	GASKET, Exhaust -(Part information located in Exhaust Group.)
1022	-----	1	GASKET, Rocker Cover -(Part information located in Cylinder Head Group.)
1548	591792	1	BEARING, Ball -(Crankcase Cover/Sump)

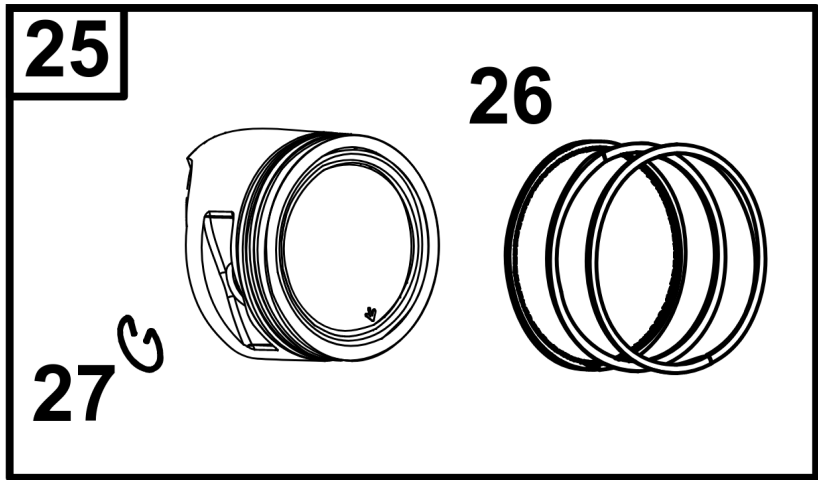
29



25

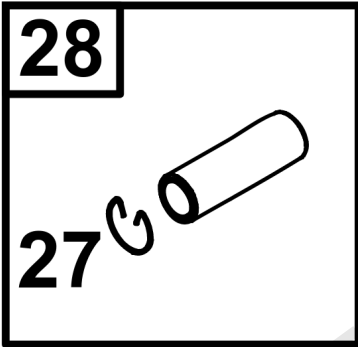
26

27^G



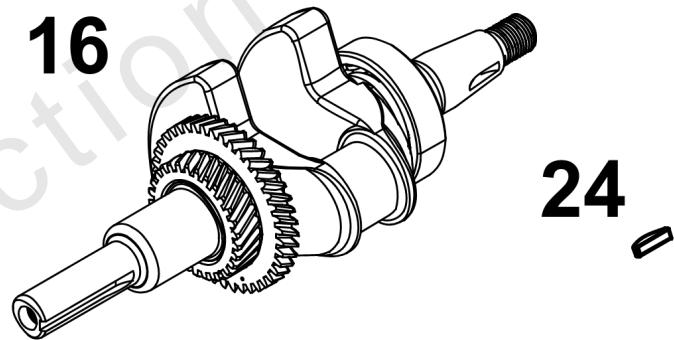
28

27^G



16

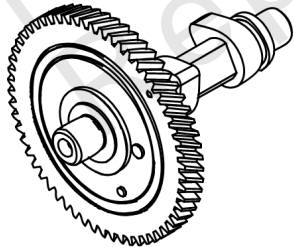
24



46

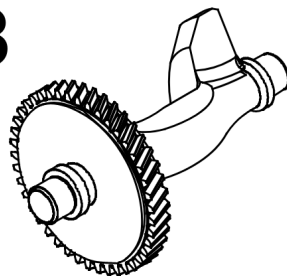
357

1549



758

17

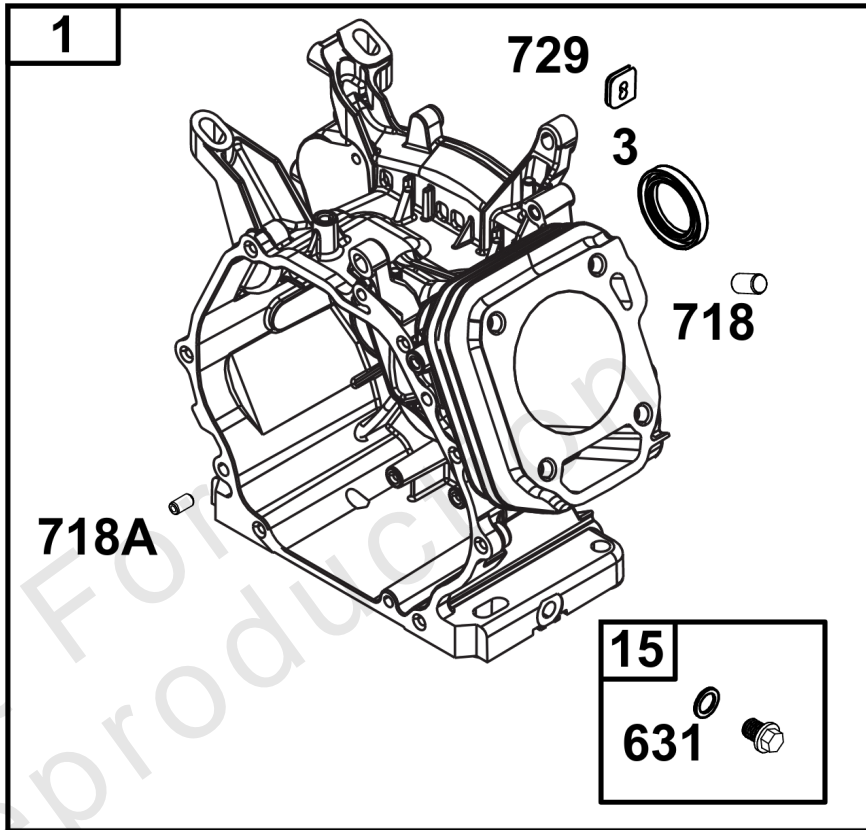


Crankshaft Group

REF NO	PART NO	QTY	DESCRIPTION
16	593084	1	CRANKSHAFT
17	797764	1	BEARING, Ball
24	797286	1	KEY, Flywheel
25	592613	1	PISTON ASSEMBLY
25	593108	1	PISTON ASSEMBLY -(.010" Oversize)
25	593109	1	PISTON ASSEMBLY -(.020" Oversize)
26	592614	1	SET, Ring
26	593110	1	SET, Ring -(.010" Oversize)
26	593111	1	SET, Ring -(.020" Oversize)
27	592044	2	LOCK, Piston Pin
28	592045	1	PIN, Piston
29	592046	1	ROD, Connecting
46	595929	1	CAMSHAFT
357	590960	1	KEY, Drive Pulley
758	596696	1	COUNTERWEIGHT
1549	591792	1	BEARING, Ball -(Crankshaft)

614

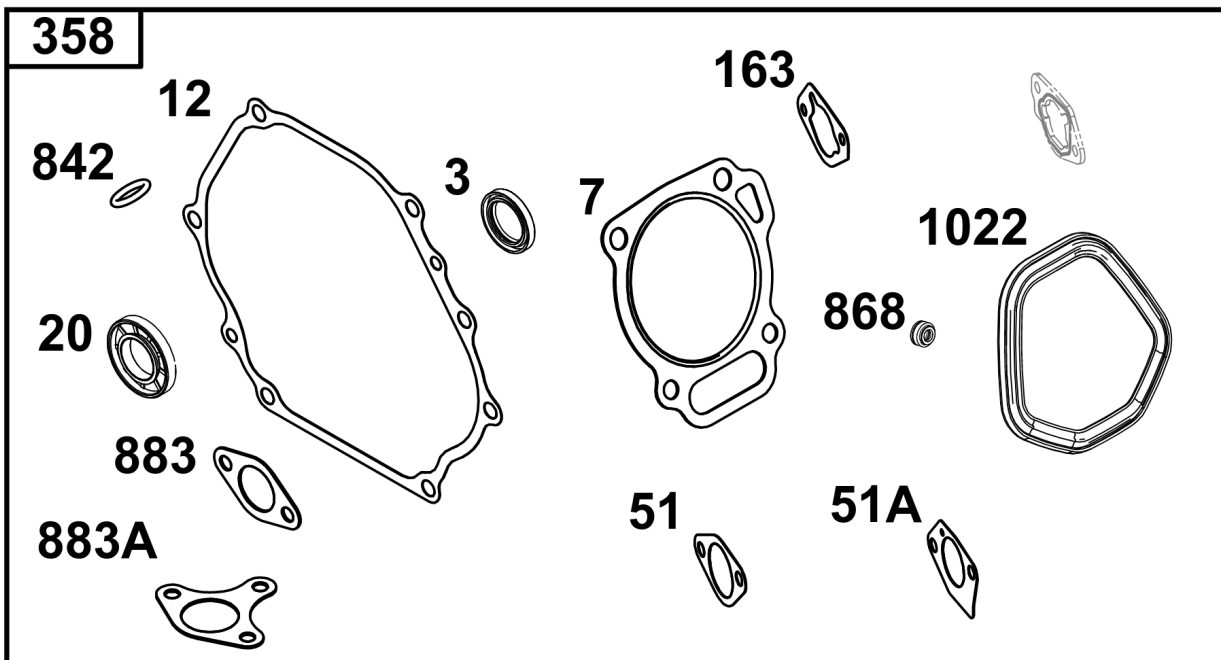
616



306

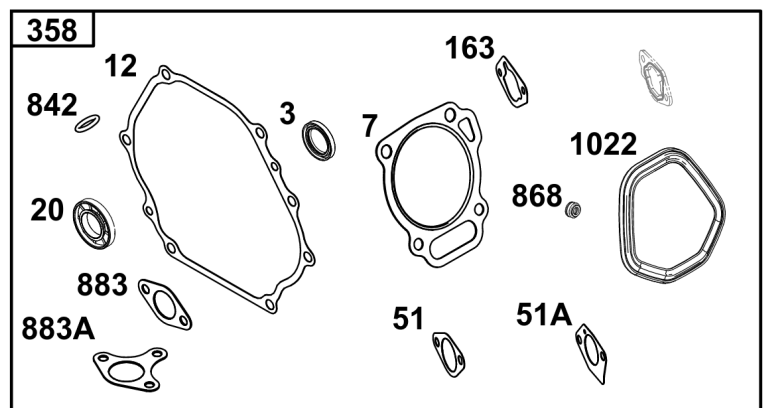
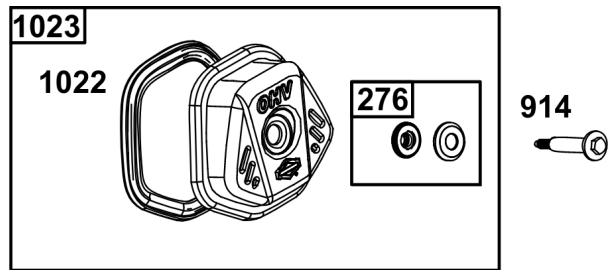
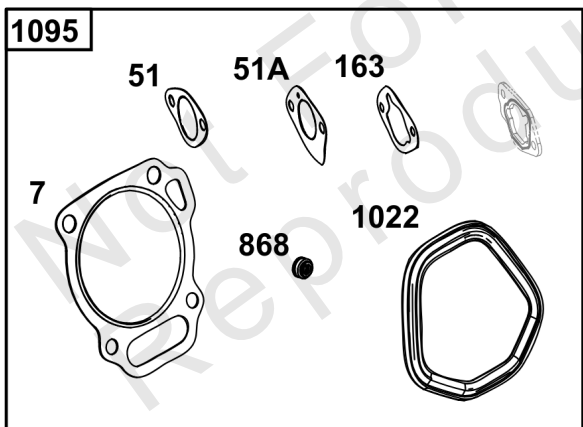
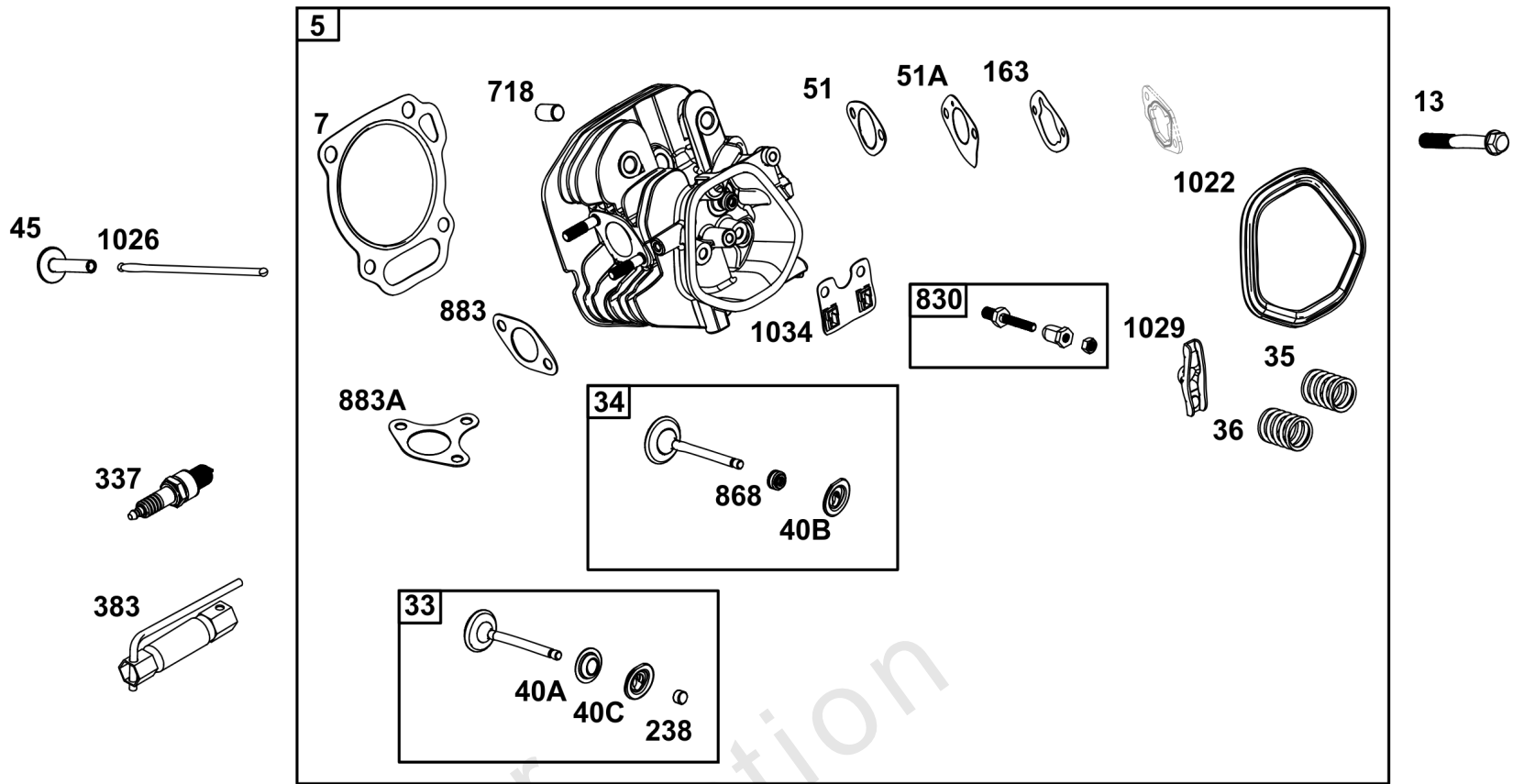


307



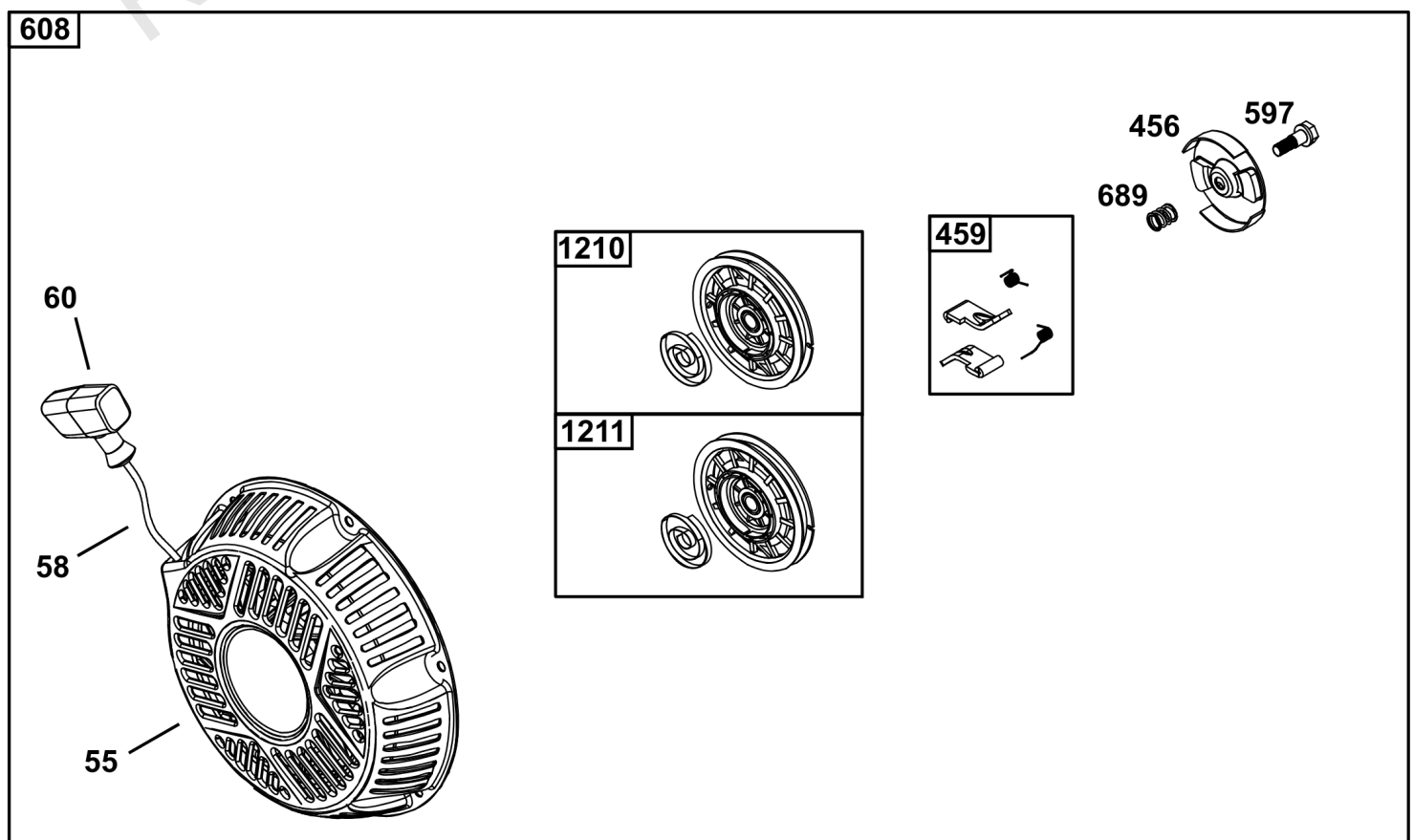
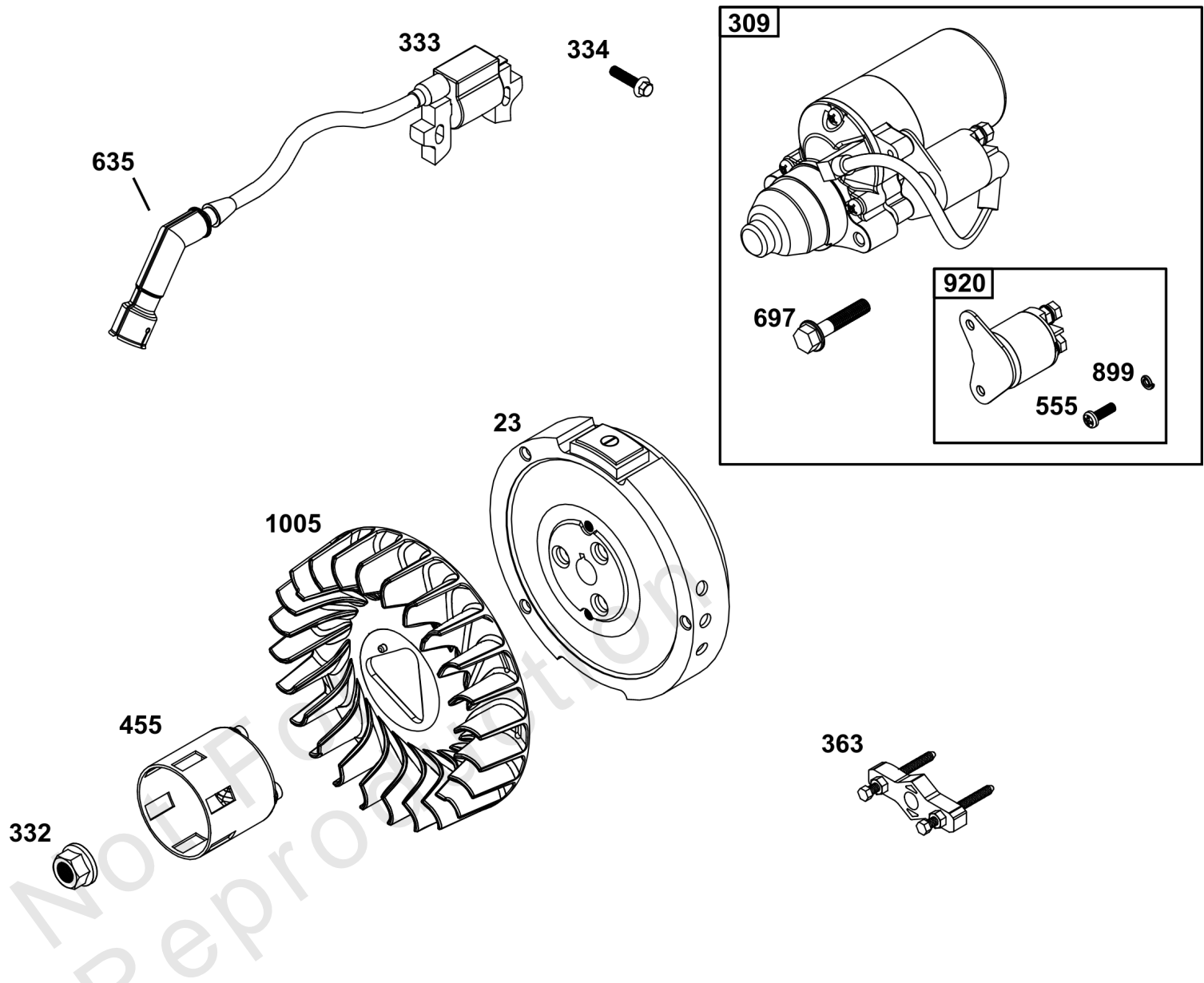
Cylinder Group

REF NO	PART NO	QTY	DESCRIPTION
1	593726	1	CYLINDER ASSEMBLY
3	591794	1	SEAL, Oil -(Magneto Side)
7	-----	1	GASKET, Cylinder Head -(Part information located in Cylinder Head Group.)
12	-----	1	GASKET, Crankcase -(Part information located in Crankcase Cover/Sump Group.)
15	797793	2	PLUG, Oil Drain
20	-----	1	SEAL, Oil -(Part information located in Crankcase Cover/Sump Group.)
51	-----	1	GASKET, Intake -(Part information located in Cylinder Head Group.)
51A	-----	1	GASKET, Intake -(Part information located in Cylinder Head Group.)
163	-----	1	GASKET, Air Cleaner -(Part information located in Carburetor Group.)
306	591790	1	SHIELD, Cylinder
307	798618	1	SCREW -(Cylinder Shield)
358	-----	1	GASKET SET, Engine -(Part information located in Crankcase Cover/Sump Group.)
614	797229	1	PIN, Cotter
616	592615	1	CRANK, Governor
631	797794	2	WASHER -(Oil Drain Plug)
718	797792	2	PIN, Locating
718A	797761	2	PIN, Locating
729	797750	1	CLIP, Wire
842	-----	2	SEAL, O-Ring -(Part information located in Lubrication Group.)
868	-----	1	SEAL, Valve -(Part information located in Cylinder Head Group.)
883	-----	1	GASKET, Exhaust -(Part information located in Exhaust Group.)
883A	-----	1	GASKET, Exhaust -(Part information located in Exhaust Group.)
1022	-----	1	GASKET, Rocker Cover -(Part information located in Cylinder Head Group.)



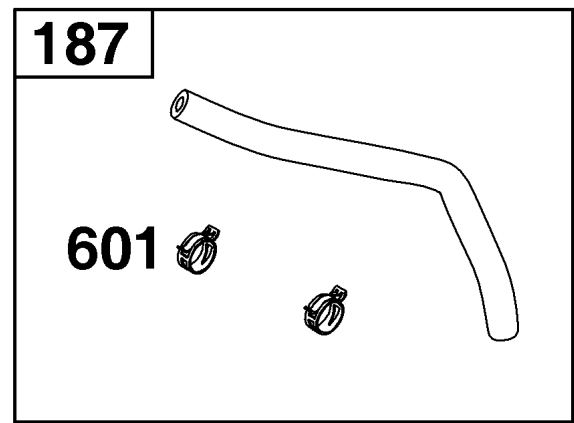
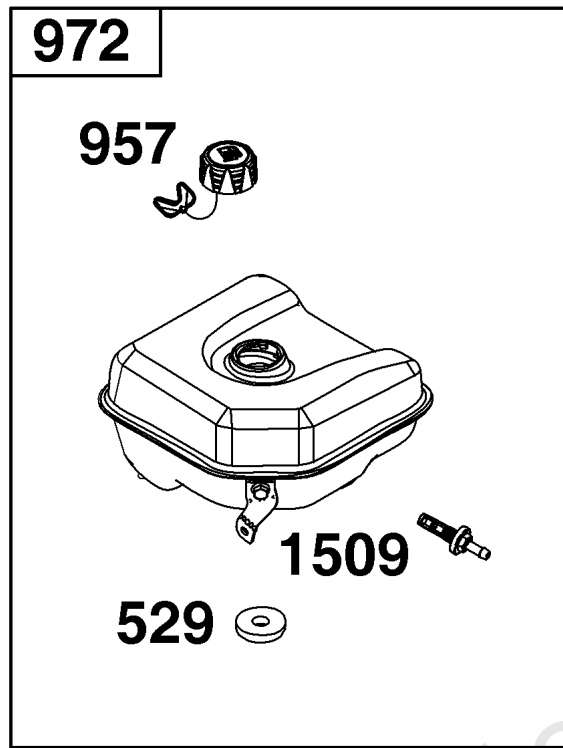
Cylinder Head Group

REF NO	PART NO	QTY	DESCRIPTION
3	-----	1	SEAL, Oil -(Part information located in Cylinder Group.)
5	593093	1	HEAD, Cylinder
7	592834	1	GASKET, Cylinder Head
12	-----	1	GASKET, Crankcase -(Part information located in Crankcase Cover/Sump Group.)
13	797791	4	SCREW -(Cylinder Head)
20	-----	1	SEAL, Oil -(Part information located in Crankcase Cover/Sump Group.)
33	592612	1	VALVE, Exhaust
34	592611	1	VALVE, Intake
35	591814	1	SPRING, Valve -(Intake)
36	591814	1	SPRING, Valve -(Exhaust)
40A	797782	1	RETAINER, Valve
40B	591815	1	RETAINER, Valve
40C	591816	1	RETAINER, Valve
45	797786	2	TAPPET, Valve
51	591779	1	GASKET, Intake
51A	591798	1	GASKET, Intake
163	-----	1	GASKET, Air Cleaner -(Part information located in Carburetor Group.)
238	591817	1	CAP-VALVE
276	797847	1	WASHER, Sealing
337	798615	1	PLUG, Spark
358	-----	1	GASKET SET, Engine -(Part information located in Crankcase Cover/Sump Group.)
383	19576S	1	WRENCH, Spark Plug
718	-----	2	PIN, Locating -(Part information located in Cylinder Group.)
830	591088	2	STUD, Rocker Arm
842	-----	2	SEAL, O-Ring -(Part information located in Lubrication Group.)
868	797854	1	SEAL, Valve
883	-----	1	GASKET, Exhaust -(Part information located in Exhaust Group.)
883A	-----	1	GASKET, Exhaust -(Part information located in Exhaust Group.)
914	797848	1	SCREW -(Rocker Cover)
1022	797846	1	GASKET, Rocker Cover
1023	799778	1	COVER, Rocker
1026	591818	2	ROD-PUSH
1029	591087	2	ARM, Rocker
1034	591819	1	GUIDE-PUSH ROD
1095	593113	1	GASKET SET, Valve -(Service Kits can include parts not for this engine.)



Flywheel, Ignition, and Starter Group

REF NO	PART NO	QTY	DESCRIPTION
23	593139	1	FLYWHEEL
55	591787	1	HOUSING, Rewind Starter
58	693389	1	ROPE, Starter
60	691915	1	GRIP, Starter Rope
65	797654	3	SCREW -(Rewind Starter)
309	591780	1	MOTOR, Starter
332	797811	1	NUT -(Flywheel)
333	798616	1	ARMATURE, Magneto
334	797655	2	SCREW -(Magneto Armature)
363	19203	1	PULLER, Flywheel
455	591820	1	CUP, Flywheel
456	799973	1	PLATE, Pawl Friction
459	799976	2	PAWL, Ratchet
555	799532	2	SCREW -(Starter Solenoid)
597	799972	1	SCREW -(Pawl Friction Plate)
608	591781	1	STARTER, Rewind
635	797685	1	BOOT, Spark Plug
689	799669	1	SPRING, Friction
697	593136	2	SCREW -(Drive Cap)
899	799642	2	WASHER -(Starter Solenoid)
920	799481	1	SOLENOID, Starter
1005	591789	1	FAN, Flywheel
1210	591788	1	PULLEY/SPRING ASSEMBLY -(Pulley)
1211	591788	1	PULLEY/SPRING ASSEMBLY -(Spring)

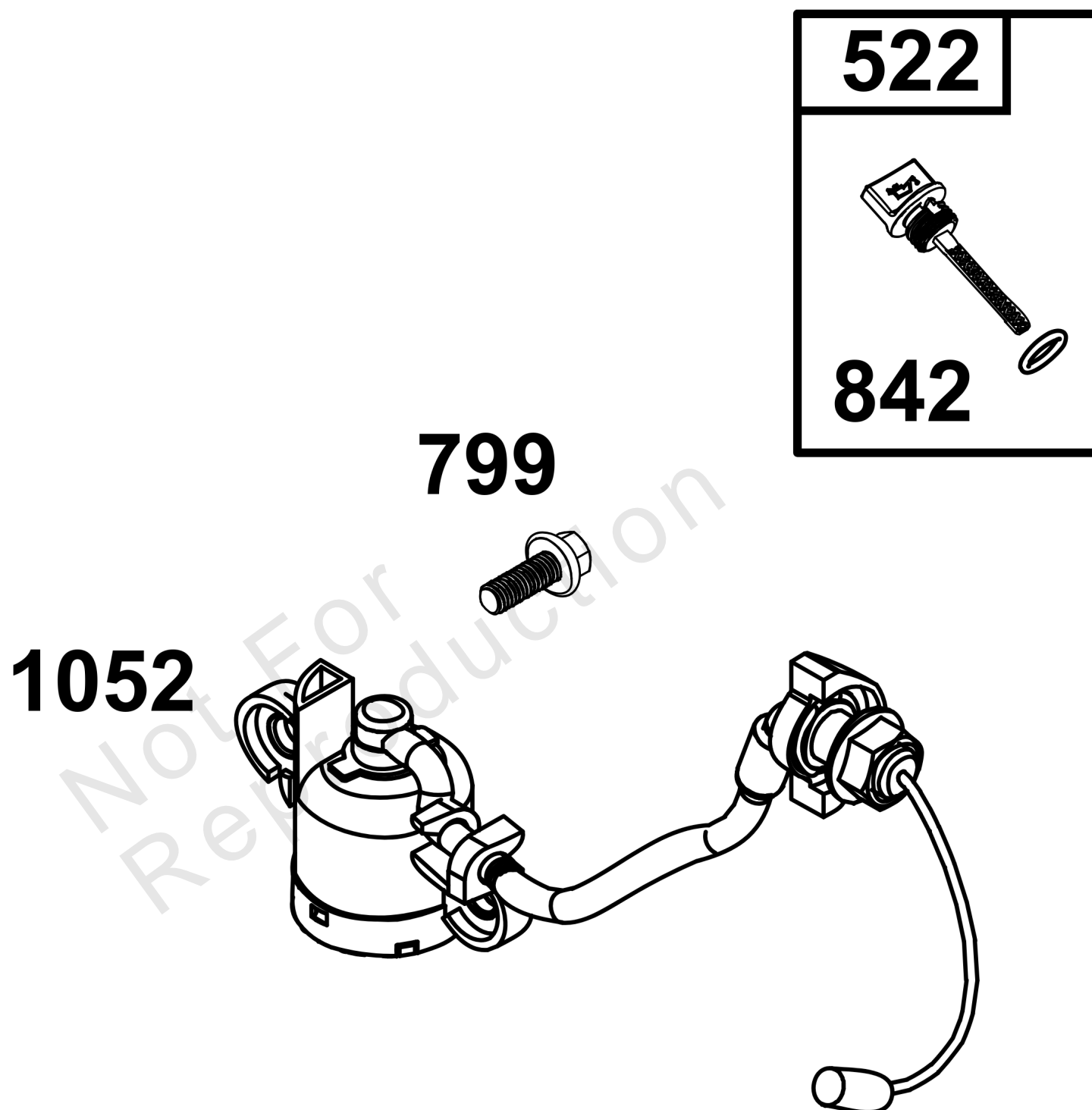


Not For
Reproduction

Fuel Supply Goup

REF NO	PART NO	QTY	DESCRIPTION
187	593721	1	LINE, Fuel
190	590964	2	SCREW -(Fuel Tank)
529	799933	2	GROMMET
601	791850	2	CLAMP, Hose
703	590967	1	CLIP
705	590965	2	NUT -(Fuel Tank)
957	799324	1	CAP, Fuel Tank
972	593720	1	TANK, Fuel
1509	797346	1	OUTLET, Tank

Not For Reproduction



Lubrication Group

REF NO	PART NO	QTY	DESCRIPTION
522	84004387	1	PLUG, Dipstick/Fill
799	798975	2	SCREW
842	84004385	1	SEAL, O-Ring
1052	797771	1	SENSOR, Oil

Not For Reproduction

Replacement Engine - US & Canada

REF NO	PART NO	QTY	DESCRIPTION
	19N1370052F1		ENGINE
	-----		Idle Speed: 1750
	-----		Top No-Load Speed: 3600

Not For Reproduction

