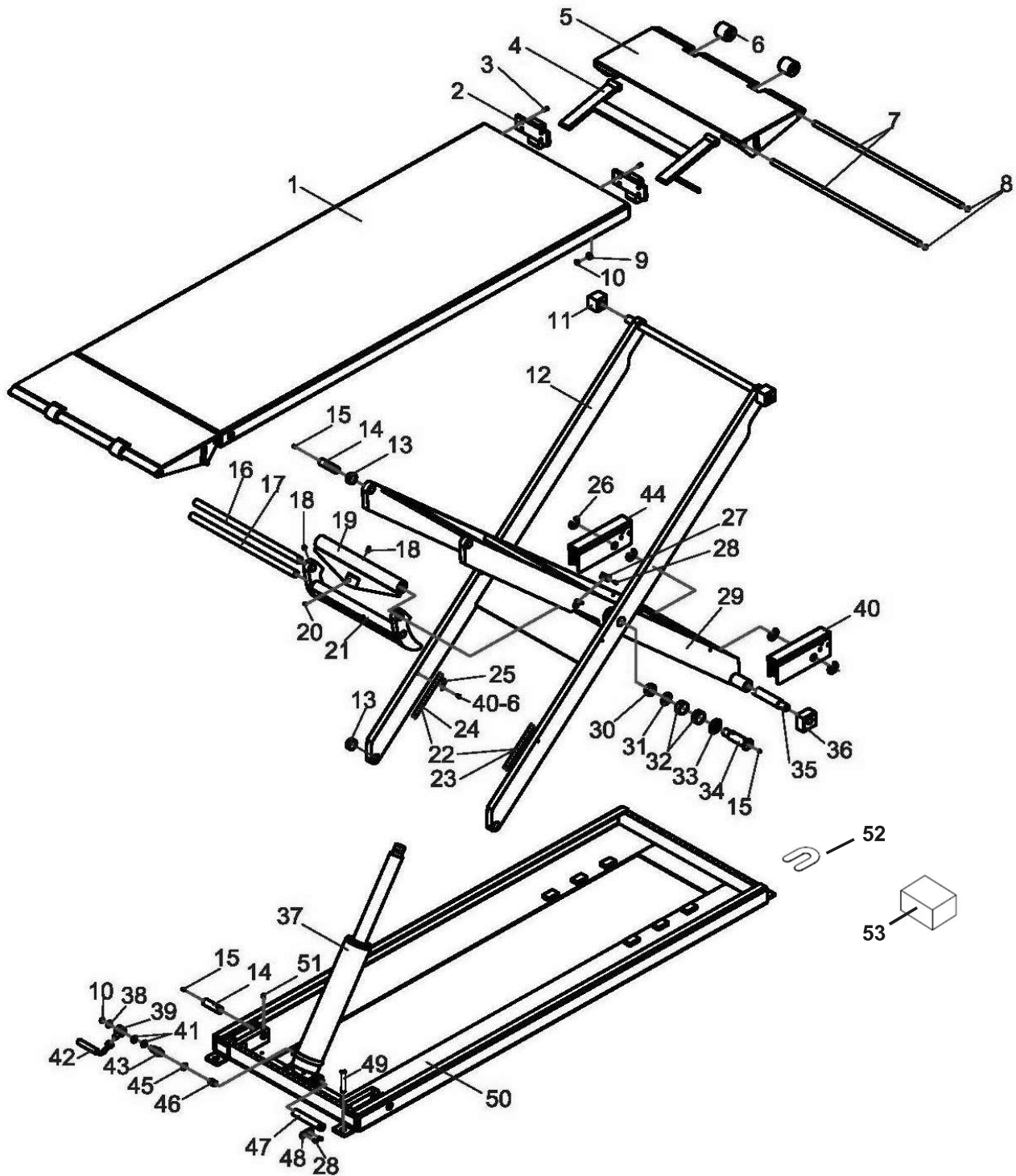
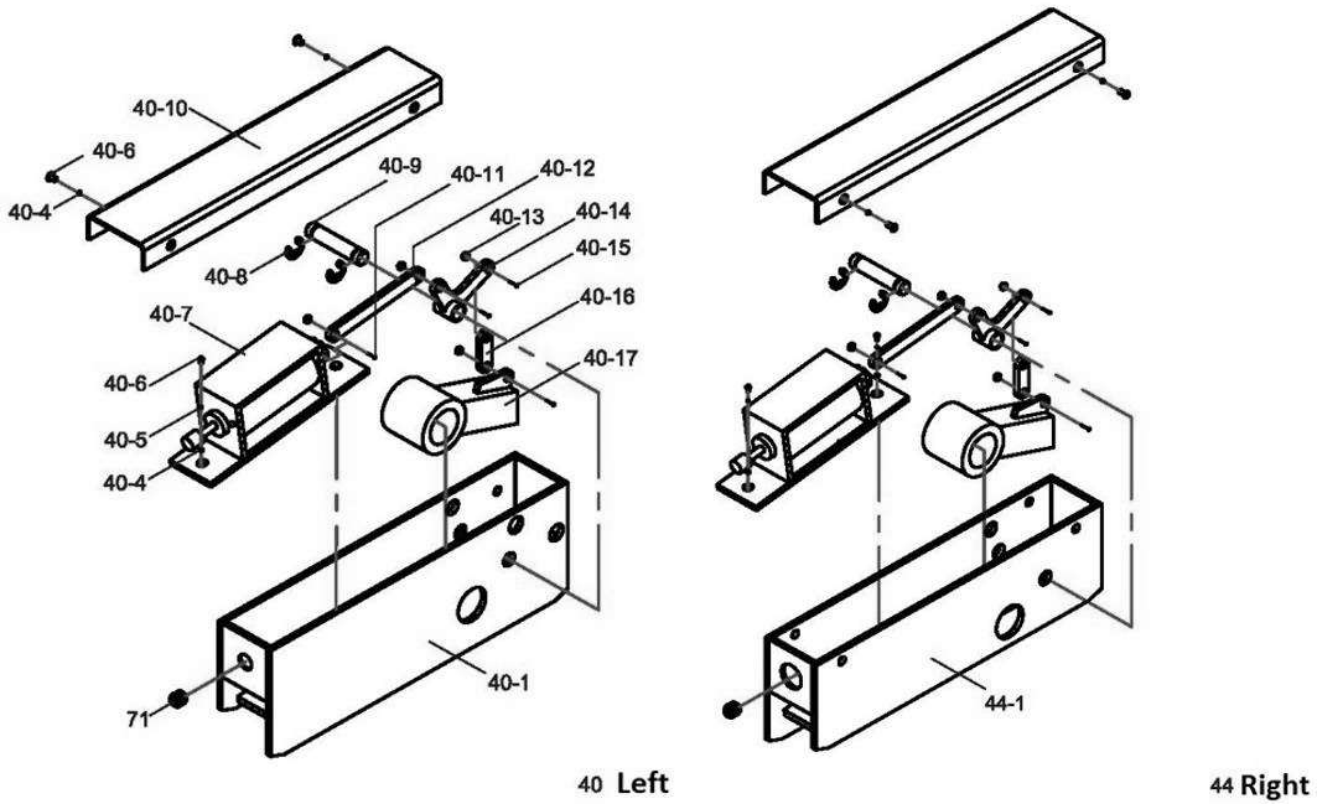


6. Exploded Views & Parts Lists

Exploded Views – (Lift Structure)



Exploded Views – (Lift Structure)

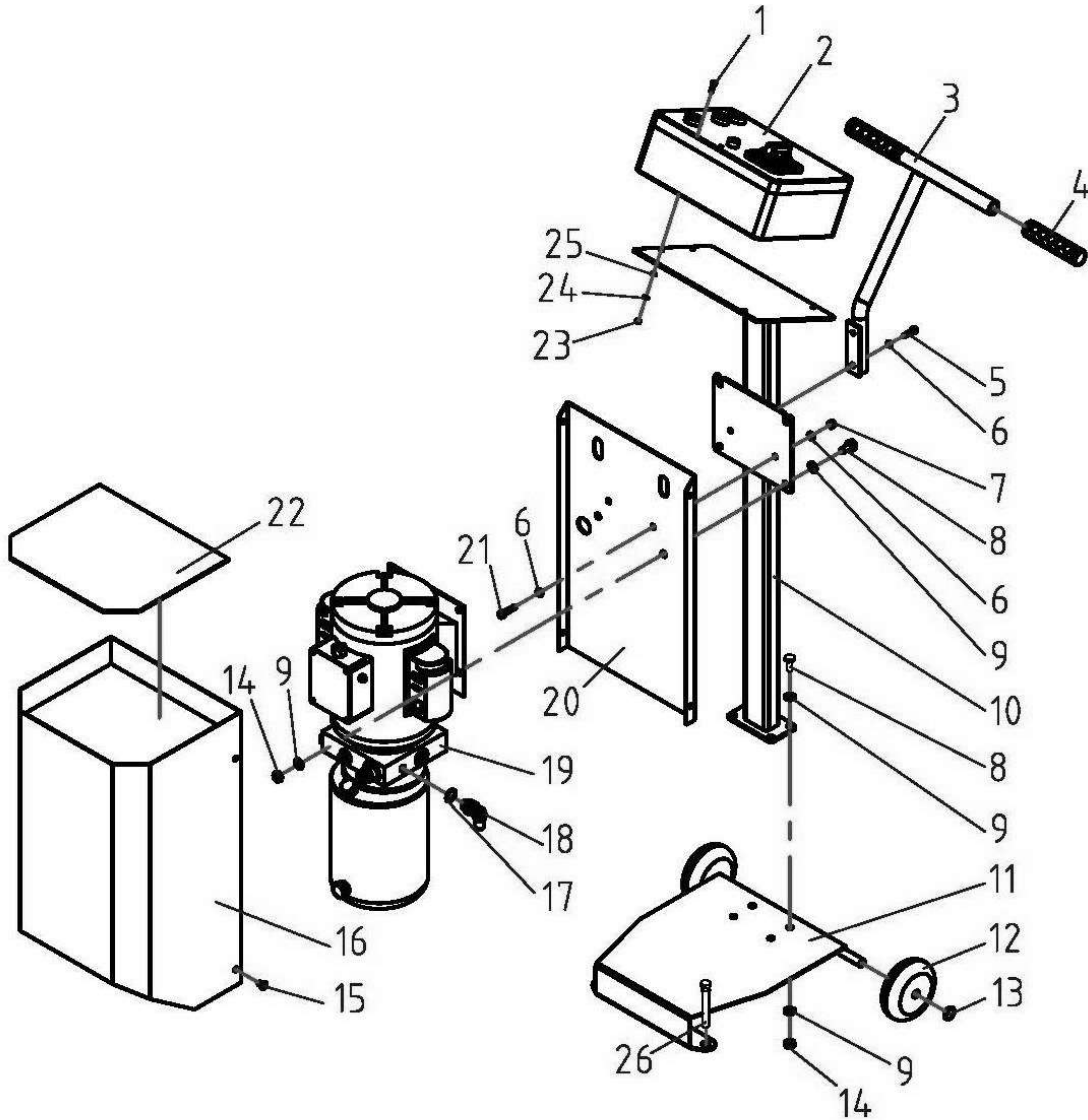


Parts List – (Lift Structure)

ITEM	Tux P/N	M-Ref P/N	DESCRIPTION	QTY
1	UF-2500EHX-001	JP26-01000-000	Platform	1
2	UF-2500EHX-002	JP26-10000-000	Ramp Block	4
3	UF-2500EHX-003	5120-08025-000	Screw, M8 x 25mm	16
4	UF-2500EHX-004	JP26-09000-000	Ramp Bracket	2
5	UF-2500EHX-005	JP26-08000-000	Ramp	2
6	UF-2500EHX-006	JP16-12108-000	Roller	4
7	UF-2500EHX-007	JP26-00001-000	Roller Pin	4
8	UF-2500EHX-008	5304-00014-000	Circlip, D14	8
9	UF-2500EHX-009	5302-00008-000	Flat Washer, D8	16
10	UF-2500EHX-010	5206-00008-000	Lock Nut, M8	17
11	UF-2500EHX-011	JP26-00003-000	Upper Slide Block	2
12	UF-2500EHX-012	JP26-03000-000	Outer Scissor Frame	1
13	UF-2500EHX-013	5603-20020-000	Bearing, D20 x 20mm	4
14	UF-2500EHX-014	JP26-00002-000	Pivot Pin	4
15	UF-2500EHX-015	SJ05-HYZ00-000	Grease Zerk, M8	6
16	UF-2500EHX-016	JP26-00005-000	Shaft #1	1
17	UF-2500EHX-017	JP26-00011-000	Shaft #2	1
18	UF-2500EHX-018	JP02-00007-000	Grease Zerk, M6	5
19	UF-2500EHX-019	JP26-07000-000	Cylinder Pivot Bracket	1
20	UF-2500EHX-020	5109-06010-000	Threaded Pin, M6 x 10mm	1
21	UF-2500EHX-021	JP26-06000-000	Assist Bracket	1

22	UF-2500EHX-022	JP26-00010-000	Cable Spring Cover	4
23	UF-2500EHX-023	JP26-50001-A00	Valve Cable #1 (210.6")	1
24	UF-2500EHX-024	JP26-50002-A00	Valve Cable #2 (197")	1
25	UF-2500EHX-025	JP24-00009-000	Lock Plate	10
26	UF-2500EHX-026	5305-00024-000	Circlip	4
27	UF-2500EHX-027	JP24-00032-000	Limit Plate	1
28	UF-2500EHX-028	5105-06012-000	Screw, M6 x 12mm	4
29	UF-2500EHX-029	JP26-02000-000	Inner Scissor Frame	1
30	UF-2500EHX-030	5206-00020-000	Lock Nut, M20	2
31	UF-2500EHX-031	5302-00020-000	Flat Washer, D20	2
32	UF-2500EHX-032	5603-25030-000	Bearing, D25 x 30mm	4
33	UF-2500EHX-033	5302-00025-000	Flat Washer, D25	2
34	UF-2500EHX-034	JP26-00006-000	Bolt	2
35	UF-2500EHX-035	JP26-00009-000	Inner Frame Axle	1
36	UF-2500EHX-036	JP26-00004-000	Lower Slide Block	1
37	UF-2500EHX-037	JP26-04000-000	Cylinder	1
38	UF-2500EHX-038	JP22-00017-000	Circlip	1
39	UF-2500EHX-039	JP26-00012-000	Quick Connector	1
40	UF-2500EHX-040	JP24-14000-000	Safety Latch (LH)	1
40-1	UF-2500EHX-040.1	JP24-14100-000	Latch Frame (LH)	1
40-4	UF-2500EHX-040.4	5302-00005-000	Flat Washer, D5	8
40-5	UF-2500EHX-040.5	5303-00005-000	Lock Washer, D5	4
40-6	UF-2500EHX-040.6	5110-05012-000	Screw, M5 x 12mm	18
40-7	UF-2500EHX-040.7	MK01-03000-000	Electromagnet	2
40-8	UF-2500EHX-040.8	5305-00006-000	Circlip, D6	4
40-9	UF-2500EHX-040.9	JP24-13003-000	Latch Pin	3
40-10	UF-2500EHX-040.10	JP24-00016-000	Latch Cover	2
40-11	UF-2500EHX-040.11	5110-04020-000	Screw, M4 x 20mm	2
40-12	UF-2500EHX-040.12	JP24-13001-000	Linkage Arm - Long	2
40-13	UF-2500EHX-040.13	5206-00004-000	Lock Nut, M4	8
40-14	UF-2500EHX-040.14	JP24-13200-000	Rocker Arm	2
40-15	UF-2500EHX-040.15	5110-04012-000	Screw, M4 x 12mm	6
40-16	UF-2500EHX-040.16	JP24-13002-000	Linkage Arm - Short	2
40-17	UF-2500EHX-040.17	JP24-13300-000	Latch	2
41	UF-2500EHX-041	5901-13018-000	O-Ring, D13 x 1.8mm	2
42	UF-2500EHX-042	JP26-00013-000	Hydraulic Hose	1
43	UF-2500EHX-043	JP27-00008-000	Fitting Connector	2
44	UF-2500EHX-044	JP24-13000-000	Safety Latch (RH)	1
44-1	UF-2500EHX-044.1	JP24-13100-000	Latch Frame (RH)	1
45	UF-2500EHX-045	5903-00014-000	Combined Washer, D14	1
46	UF-2500EHX-046	JP24-04005-000	Compensating Valve	1
47	UF-2500EHX-047	JP26-00007-000	Cylinder Pin	1
48	UF-2500EHX-048	JP26-00008-000	Cylinder Pin Plate	1
49	UF-2500EHX-049	JP26-10080-000	Anchor Bolt, 1/2" x 3-3/4"	4
50	UF-2500EHX-050	JP26-05000-000	Base Frame	1
51	UF-2500EHX-051	5112-10016-000	Threaded Pin, M10 x 16mm	4
52	UF-2500EHX-052	NA	U-Shim	10
53	UF-2500EHX-053	JP09-00008-000	Rubber Contact Pads	4

Exploded View – (Pedestal Control Stand)

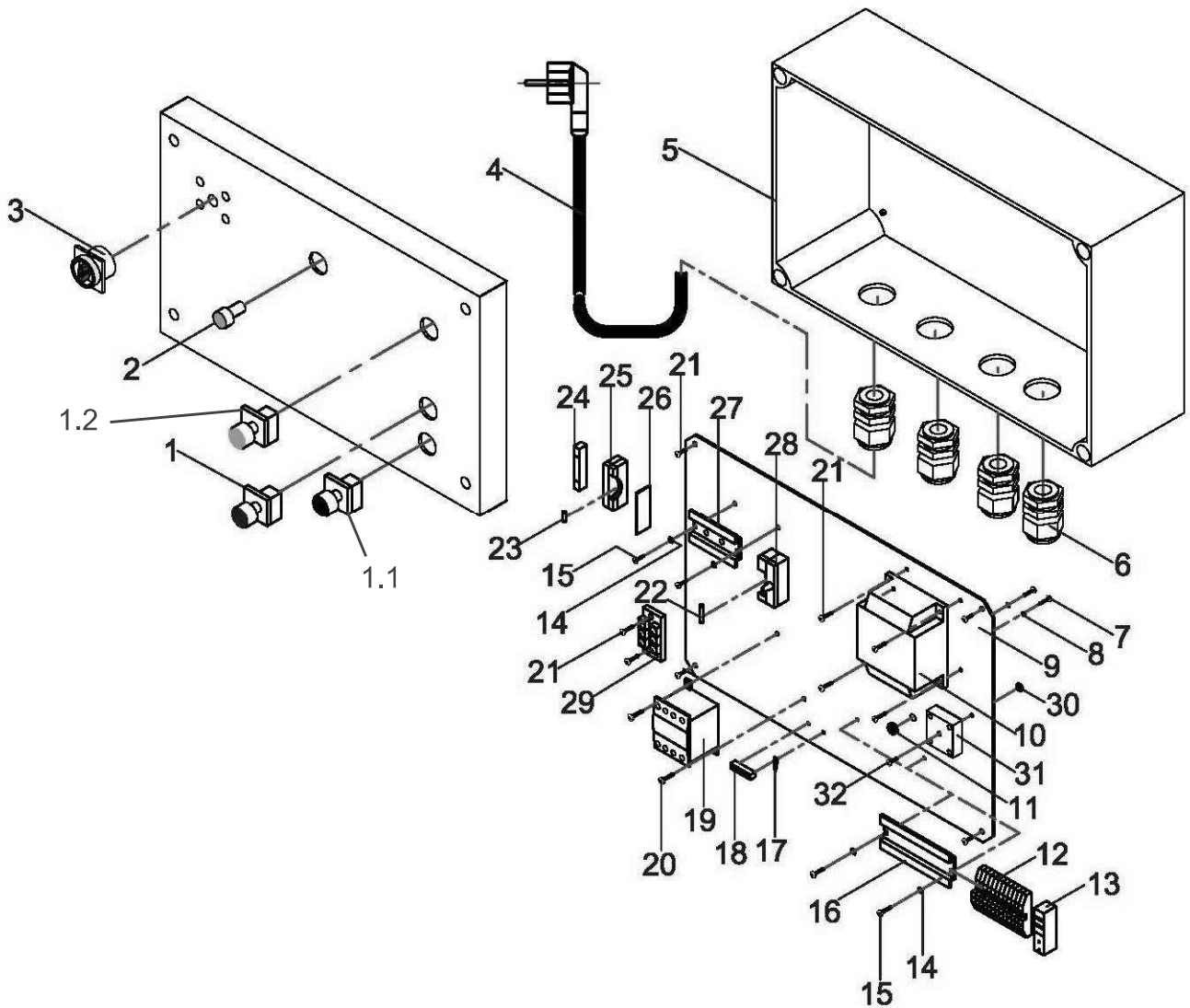


Parts List – (Pedestal Control Stand)

ITEM	Tux P/N	M-Ref P/N	DESCRIPTION	QTY
1	UF-2500EHX-PS-001	5110-04016-000	Screw	4
2	UF-2500EHX-PS-002	JP260S-243154	Control Panel	1
3	UF-2500EHX-PS-003	XC26-03000-000	Handle	1
4	UF-2500EHX-PS-004	ES04-00009-000	Rubber Cover	2
5	UF-2500EHX-PS-005	5112-06030-000	Screw	2
6	UF-2500EHX-PS-006	5302-00006-000	Flat Washer	6
7	UF-2500EHX-PS-007	5206-00006-000	Lock Nut	2
8	UF-2500EHX-PS-008	5101-08025-000	Bolt	8
9	UF-2500EHX-PS-009	5302-00008-000	Flat Washer	16
10	UF-2500EHX-PS-010	XC26-01000-000	Pedestal Stand	1
11	UF-2500EHX-PS-011	XC26-02000-000	Pedestal Base	1

12	UF-2500EHX-PS-012	XC26-00003-000	Wheel	2
13	UF-2500EHX-PS-013	JP16-26001-000	Wheel Nut	2
14	UF-2500EHX-PS-014	5206-00008-000	Lock Nut	8
15	UF-2500EHX-PS-015	5115-06012-000	Screw	4
16	UF-2500EHX-PS-016	XC26-04000-000	Power Unit Cover	1
17	UF-2500EHX-PS-017	5901-10002-000	O-Ring	2
18	UF-2500EHX-PS-018	SJ01-12001-000	Hyd. Elbow Fitting	2
19	UF-2500EHX-PS-019	JP260S-243154	Power Unit - 110V-1PH, 60Hz	1
20	UF-2500EHX-PS-020	XC26-00001-000	Back Plate	1
21	UF-2500EHX-PS-021	5110-06016-000	Screw	2
22	UF-2500EHX-PS-022	XC26-00002-000	Rubber Pad	1
23	UF-2500EHX-PS-023	5201-00004-000	Nut	4
24	UF-2500EHX-PS-024	5303-00004-000	Lock Washer	4
25	UF-2500EHX-PS-025	5302-00004-000	Flat Washer	4
26	UF-2500EHX-PS-026	JP26-10080-000	Anchor Bolt 1/2" x 3-3/4" (Opt)	2

Exploded View – (Control Panel)



Parts List – (Control Panel)

ITEM	Tux P/N	M-Ref P/N	DESCRIPTION	QTY
1	UF-2500EHX-CP-001	JK01-20002-000-BLU	'Down' Button (Blue)	1
1-1	UF-2500EHX-CP-001.1	JK01-20002-000-BLK	'Park' Button (Black)	1
1-2	UF-2500EHX-CP-001.2	JK01-20002-000-GRN	'Up' Button (Green)	1
2	UF-2500EHX-CP-002	JK11-00100-K00	Green Indicator Light	1
3	UF-2500EHX-CP-003	DK09-00005-000	Main Power Switch	1
4	UF-2500EHX-CP-004	MK01-00002-B00	Power Cable 110V	1
5	UF-2500EHX-CP-005	JK01-00001-000	Control Box Shell	1
6	UF-2500EHX-CP-006	JK01-00004-000	Cable Nut	4
7	UF-2500EHX-CP-007	5110-04004-000	Screw, M4 x 4mm	2
8	UF-2500EHX-CP-008	5301-00004-000	Flat Washer, D4	2
9	UF-2500EHX-CP-009	JK03-10001-000	Mount Plate	1
10	UF-2500EHX-CP-010	JK04-10006-A00	Transformer	1

11	UF-2500EHX-CP-011	JK01-10020-000	Cable Ring	2
12	UF-2500EHX-CP-012	DK20-10018-000	Wiring Terminal	12
13	UF-2500EHX-CP-013	DK20-10020-000	Fixing Board	1
14	UF-2500EHX-CP-014	5301-00005-000	Flat Washer, D5	4
15	UF-2500EHX-CP-015	JK01-10029-000	Screw, M3 x 6.5mm	4
16	UF-2500EHX-CP-016	JK02-10021-000	Connection Rail	1
17	UF-2500EHX-CP-017	JK01-JD000-000	Ground Decal	1
18	UF-2500EHX-CP-018	JK01-10014-000	Ground End	1
19	UF-2500EHX-CP-019	JK01-10005-000	Contactora	1
20	UF-2500EHX-CP-020	JK01-10031-000	Screw, M3.5 x 12mm	2
21	UF-2500EHX-CP-021	JK01-10030-000	Screw, M3.5 x 9.5mm	10
22	UF-2500EHX-CP-022	MK01-10008-000	Fuse, 30A	3
23	UF-2500EHX-CP-023	JK01-10010-100	Fuse, 1A	2
24	UF-2500EHX-CP-024	JK01-10011-000	Fixing Board	1
25	UF-2500EHX-CP-025	JK01-10009-000	Fuse Seat	2
26	UF-2500EHX-CP-026	JK01-10009-001	Fuse Seat Board	1
27	UF-2500EHX-CP-027	JK01-10003-000	Connection Rail	1
28	UF-2500EHX-CP-028	DK09-10007-000	Double Fuse Seat	1
29	UF-2500EHX-CP-029	DK09-10004-000	Wiring Terminal	1
30	UF-2500EHX-CP-030	5202-00004-000	Nut	1
31	UF-2500EHX-CP-031	MK01-00102-000	Bridge Rectifier	1
32	UF-2500EHX-CP-032	5110-04016-000	Screw, M4 x 16mm	1

10	UF-2500EHX-PU-010	BZ01-04005-000	Ball Seat	1
11	UF-2500EHX-PU-011	BZ01-04002-000	Spring	1
12	UF-2500EHX-PU-012	BZ01-04003-000	Threaded Pin	1
13	UF-2500EHX-PU-013	5901-00072-000	O-Ring, D7.2 x 2.4mm	1
14	UF-2500EHX-PU-014	BZ01-04016-000	Special Washer	1
15	UF-2500EHX-PU-015	BZ01-04004-000	Lock Nut	1
16	UF-2500EHX-PU-016	BZ01-04-12-000	Protective Cap	1
17	UF-2500EHX-PU-017	BZ14-00003-000	Coupler	1
18	UF-2500EHX-PU-018	5901-01150-000	O-Ring, D115 x 3.55mm	1
19	UF-2500EHX-PU-019	5901-01120-000	O-Ring, D112 x 3.55mm	1
20	UF-2500EHX-PU-020	JP16-01001-000	Suction Tube	1
21	UF-2500EHX-PU-021	BZ13-02101-S00	Fill Cap	1
22	UF-2500EHX-PU-022	BZ13-02100-S00	Plastic Reservoir	2
23	UF-2500EHX-PU-023	BZ01-01002-000	Filter	1
24	UF-2500EHX-PU-024	5117-06012-000	Lock Nut, M6 x 12mm	4
25	UF-2500EHX-PU-025	5302-00006-000	Flat Washer, D4	4
26	UF-2500EHX-PU-026	5105-08075-000	Bolt, M8 x 75mm	2
27	UF-2500EHX-PU-027	BZ14-03000-B00	Gear Pump	1
28	UF-2500EHX-PU-028	5901-00008-000	O-Ring, D8 x 2mm	1
29	UF-2500EHX-PU-029	BZ13-04100-000	Solenoid Release Valve	1
30	UF-2500EHX-PU-030	5901-00160-000	O-Ring, D16 x 2mm	1
31	UF-2500EHX-PU-031	BZ01-04011-000	Filter	1
32	UF-2500EHX-PU-032	5901-00095-000	O-Ring, D9.5 x 1.8mm	1
33	UF-2500EHX-PU-033	5901-00125-000	O-Ring, D12 x 1.5mm	1
34	UF-2500EHX-PU-034	5601-00800-000	Steel Ball, D8	2
35	UF-2500EHX-PU-035	BZ01-00002-000	Threaded Pin, M10 x 8mm	2
36	UF-2500EHX-PU-036	BZ30-04001-000	Valve Block	1
37	UF-2500EHX-PU-037	BZ14-00001-000	Return Tube	1
38	UF-2500EHX-PU-038	5105-06040-000	Screw, M6 x 40mm	4