



25ft. COMBO HOSE REEL/CORD REEL

Owner's Manual



⚠ WARNING: Read carefully and understand all ASSEMBLY AND OPERATION INSTRUCTIONS before operating. Failure to follow the safety rules and other basic safety precautions may result in serious personal injury.

Item # 114923

SAVE THESE INSTRUCTIONS

Thank you very much for choosing a Klutch product!

For future reference, please complete the owner's record below:

Serial Number/Lot Date Code: _____

Purchase Date: _____

Save the receipt, warranty, and this manual. It is important that you read the entire manual to become familiar with this product before you begin using it.

This dual hose reel is designed for certain applications only. Northern Tool and Equipment cannot be responsible for issues arising from modification or use of this product in an application for which it was not designed. We strongly recommend that this product not be modified and/or used for any application other than that for which it was designed.

For technical questions, please call **1-800-222-5381**.

Table of Contents

Intended Use.....4

Technical Specifications4

Important Safety Information5

Specific Operation Warnings8

Assembly9

Operating Instructions.....10

Maintenance10

Parts Diagram11

Parts List12

Troubleshooting14

Replacement Parts14

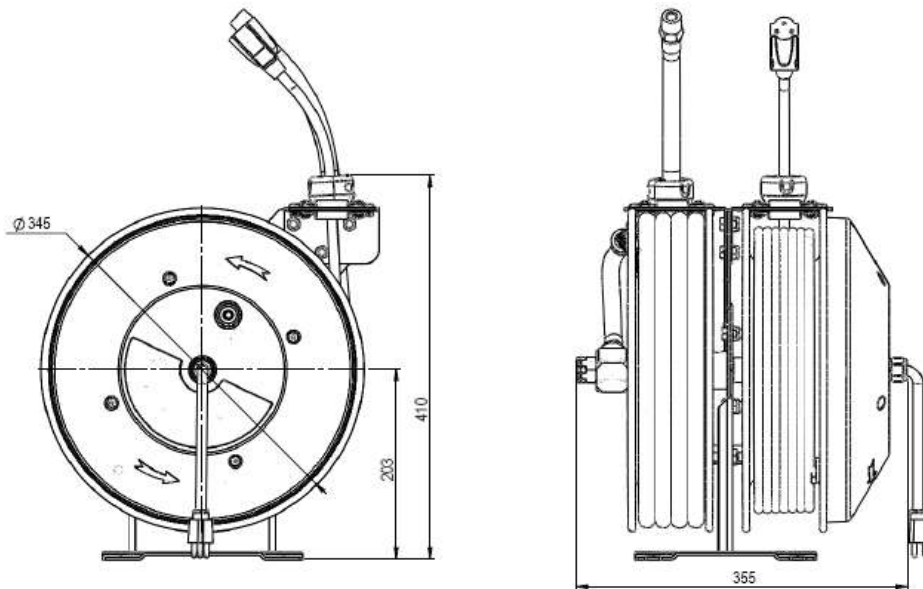
Limited Warranty15

Intended Use

Dual air and electric reels feature steel construction with corrosion resistant powder-coat finish. Full flow solid swivel joint; multi-position release ratchet spring is fully enclosed. Four direction non-snog rollers reduce hose wear abrasion. Can be mounted to a wall, ceiling or floor.

Technical Specifications

Property	Specification
Specification of Cord	3C / 125V
AWG	12
Amps (A)	13
Type	SJTOW
Outlet	S1
Length (ft)	25
Specification of Hose	3/8in. / 180 PSI
Material	NBR/SBR
Length (ft)	25



Important Safety Information

▲ WARNING

- Read and understand all instructions. Failure to follow all instructions may result in serious injury.
- The warnings, cautions, and instructions in this manual cannot cover all possible conditions or situations that could occur. Exercise common sense and caution when using this reel. Always be aware of the environment and ensure that the reel is used in a safe and responsible manner.
- DO NOT allow persons to operate or assemble the reel until they have read this manual and have developed a thorough understanding of how it works.
- DO NOT modify the reel in any way. Unauthorized modification may impair the function and/or safety and could affect the life of the reel.
- Use the right tool for the job. DO NOT attempt to force a small equipment to do the work of larger industrial equipment. There are certain applications for which the reel was designed. It will do the job better and more safely at the capacity for which it was intended. DO NOT use the reel for a purpose for which it was not intended.
- Industrial or commercial applications must follow OSHA requirements.

▲ WARNING

WORK AREA SAFETY

- Inspect the work area before each use. Keep the work area clean, dry, free of clutter, and well lit. Cluttered, wet, or dark work areas can result in injury. Using the reel in a confined work area may put you dangerously close to other cutting tools and rotating parts.
- Do not use the reel when there is a risk of causing a fire or an explosion; e.g., in the presence of flammable liquids, gases, or dust. The reel can create sparks, which may ignite the dust or fumes.
- Keep children and bystanders away from the work area while operating the reel. Do not allow children to operate the reel.
- Be aware of all power lines, electrical circuits, water pipes, and other mechanical hazards in your work area. Some of these hazards may be below the work surface hidden from your view and may cause personal harm or property damage if unintentionally contacted.
- Do not allow the reel to come into contact with an electrical source. The reel is not insulated and contact will cause electrical shock.

PERSONAL SAFETY

- Stay alert, watch what you are doing, and use common sense when operating the reel. Do not use the reel while you are tired or under the influence of drugs, alcohol, or medication. A moment of inattention may result in serious personal injury.
- Dress properly. Do not wear loose clothing, dangling objects, or jewelry. Keep your hair, clothing and gloves away from moving parts. Loose clothes, jewelry, or long hair can be caught in moving parts.
- Use ANSI compliant safety goggles or safety glasses with side shields, or when needed, a face shield. Use a dust mask in dusty work conditions. Also use non-skid safety shoes, hardhat, gloves, dust collection systems, and hearing protection when appropriate.
- Do not overreach. Keep proper footing and balance at all times.

- Secure the work with clamps or a vise instead of your hand when practical. This safety precaution allows for proper tool operation using both hands.

▲DANGER

ELECTRICAL SAFETY

- Shock Hazard: Misuse can result in fire or death by electric shock.
- For indoor use in a dry location only.
- Do not use the reel in damp or wet conditions. Keep the work area is clean.
- Ensure that only the qualified electrician can installs/services this cord reel. Not for use by children or unskilled persons.
- Do not plug in more than the specified Watts, Amps or Voltage on the cord reel.
- Ensure that reel is properly installed before connecting to power supply.
- Fully insert the plug into outlet.
- Ensure appliances are off before connecting to cord.
- Do not use excessive force to make connections.
- Ensure that all electrical power is removed from reel before servicing.
- Check for frayed and broken wires before each use. Do not use if damaged.
- Do not remove, bend, or modify any metal prongs or pins of cord.
- Do not connect a three-prong plug into a two-prong cord.
- Do not plug one extension cord into another.
- When pull electrical cord from the reel always grasp the electrical cord itself, not the work device.
- Do not drive, drag, or place objects over cord. Do not walk on cord.
- Remove power from the reel immediately when any malfunction occurs.
- Never remove, tamper with or cut out the safety devices installed by the manufacturer.
- Hold the hose/cord while rewinding.
- Always unplug when not in use. Grasp plug to remove from outlet. Do not unplug by pulling on cord.

HOSE REEL USE AND CARE

- Check for damaged parts before each use. Carefully check that the reel will operate properly and perform its intended function. Replace damaged or worn parts immediately. Never operate the reel with a damaged part.
- Disconnect the air supply from the hose reel before making any adjustments, changing accessories, or storing the reel.
- Use only accessories that are recommended by the manufacturer for use with your reel. Accessories that may be suitable for one reel may create a risk of injury when used with another reel. Never use an accessory that has a higher operating pressure than the reel itself.
- Inspect the reel, hose, and accessories for damage or excessive wear before each use. If you find damage do not use the reel.

Specific Operation Warnings

▲ WARNING

- Wear ANSI Z87.1 compliant safety goggles or safety glasses with side shields when assembling and using the hose reel.
- Assemble the hose reel on a clean workbench.
- Keep children away from the work area. If not in use, store out of the reach of children.
- Ensure that reel is properly installed before connecting input and output hoses.
- Make sure incoming pressure does not exceed the rated pressure (300 PSI) for reel.
- Before connecting a pressure source, ensure that supply pressure does not exceed maximum working pressure rating of reel.
- Never attach any tool or accessory to the hose unless it is capable of safely operating at a pressure greater than the supply pressure.
- If a leak occurs in the hose or reel, remove system pressure immediately.
- If reel ceases to unwind or rewind, remove system pressure immediately.
- Do not kink the hose. Do not step on the hose or drive or drag objects over the hose. Do not place any objects on the hose or hose reel.
- Pull the hose from the reel by grasping the hose itself, not the valve. Do not pull or jerk on hose.
- Bleed fluid/gas pressure from reel before servicing it.
- Use soap and water when checking for air leaks. Exposure of skin directly to pressurized air or fluids could result in severe bodily injury.
- Remember, even low pressure is very dangerous and can cause personal injury or death.
- Ensure that reel, hose, and equipment being service are properly grounded.

▲ WARNING

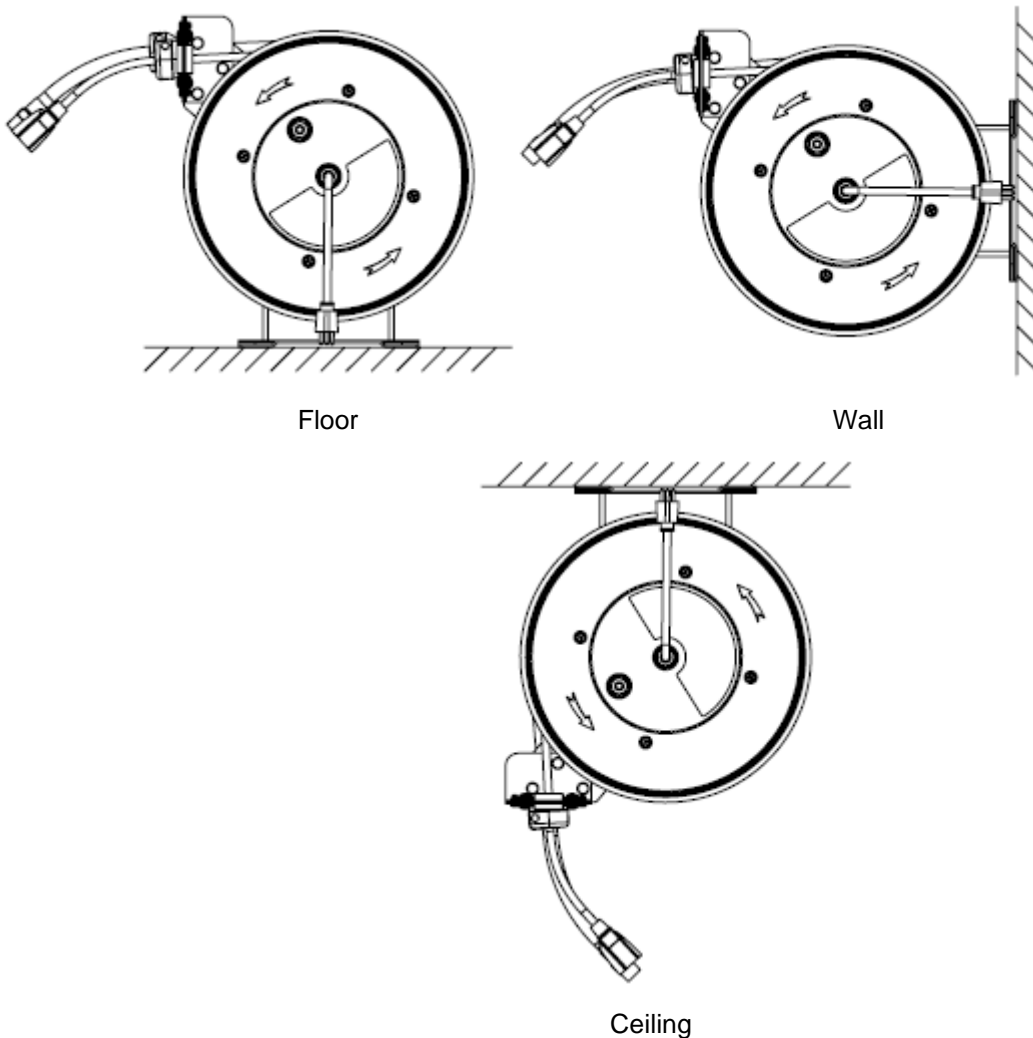
This product may contain chemicals known to the State of California to cause cancer, birth defects or other reproductive harm.

Assembly

▲WARNING

Exposure to even low-pressure air or fluids is dangerous and can cause personal injury or death.

- 1) The reel must be installed in a location that conforms to current regulations and standards covering electrical systems and work environments.
- 2) Secure the reel to the wall or the ceiling according to the installation diagrams. Use screw anchors or suitable screws which must be fitted in the holes in the brackets.
- 3) If hose or bumper block adjustment is required, pull out some hose or cable from reel and allow to latch at desired length. Loosen bumper bolts and slide bumper block to a position close to the hose or cable guide. Tighten bumper bolts, and unlatch the reel.
- 4) The reel is supplied with a hose guide roller bracket. The bracket position may be changed depending on the reel mounting position. Figure 2 shows "Typical Mounting Positions." If bracket position needs to be changed, do the following:
 - (1) Pull out some hose or cable and let reel latch.
 - (2) Remove the bolts that attach the guide roller bracket to the support post.
 - (3) Rotate guide roller bracket to correct position, replace bolts and tighten.



Operating Instructions

1. Check reel for correct operation by slowly pulling out hose or cable. A “clicking” noise will be heard every half revolution of the drum.
2. To latch the reel, pull out the hose or cable and allow it to retract after hearing the first, second or third “click.”
3. To unlatch, slowly pull out the hose or cable until the “clicking” noise stops, and then let hose or cable retract until the hose or bumper block rests against the cable guide.
4. If overloaded, the current protector will cut off automatically, unplug all appliances from the cord and push the button to restore power.
5. Periodically check the hose condition for wear or damage, and check the swivel fitting for leakage. Replace any worn, damaged, or leaking parts.

Note: To avoid damage to the reel, always hold on to the cable while it is rewinding.

⚠ WARNING

Do not allow the hose to automatically retract in an uncontrolled way as the hose may whip around and cause damage to property or personal injury.

Maintenance

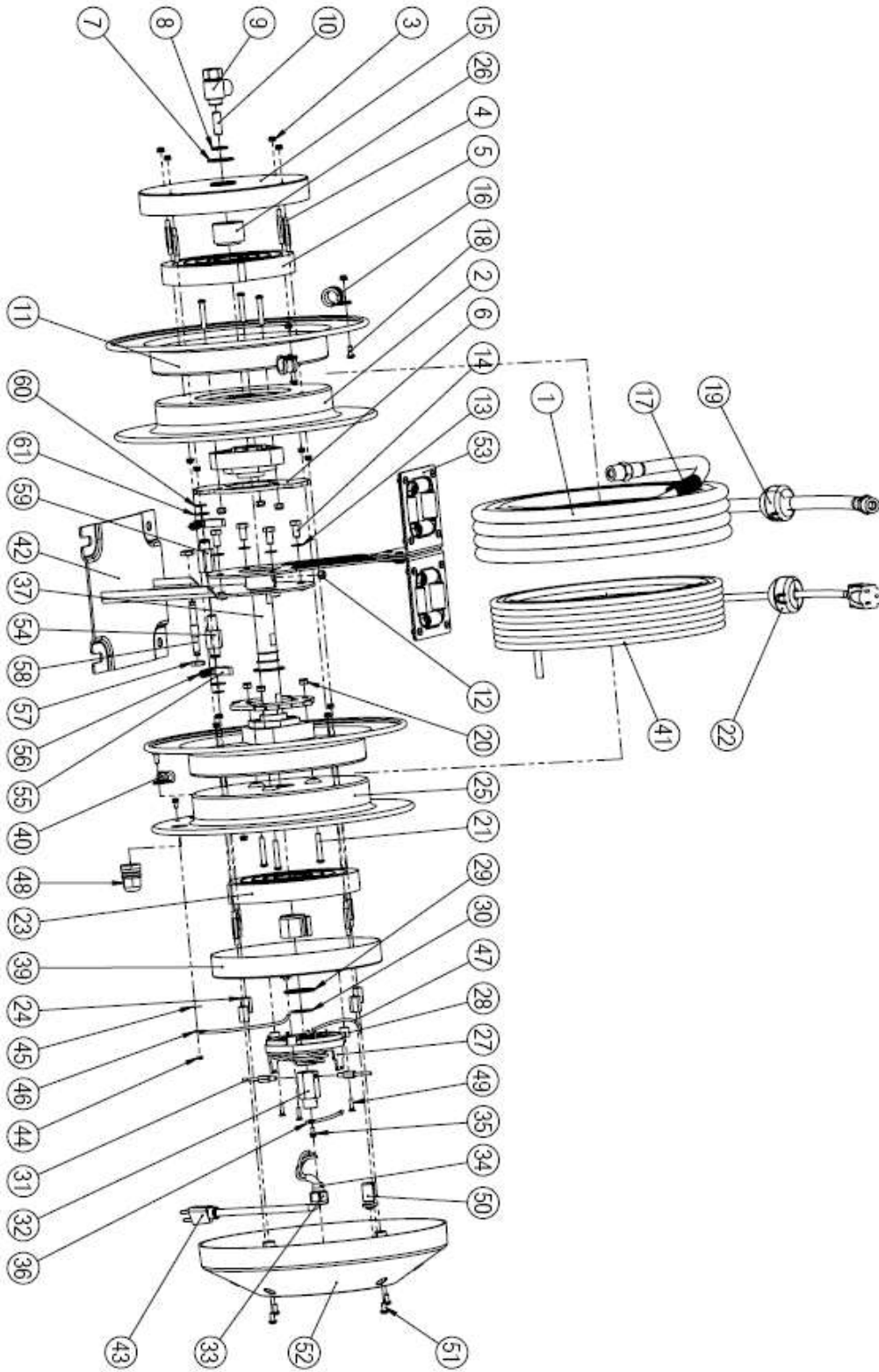
⚠ WARNING

Do not open the spring cover. Behind these covers are the main rewind springs. Removal of this cover by untrained persons can be very dangerous as the spring may come loose, unwind violently, and cause serious personal injury.

Maintain your tool. It is recommended that the general condition of any tool be examined before it is used. Keep your tool in good repair by adopting a program of conscientious repair and maintenance in accordance with the recommended procedures found in this manual. Keep all cutting tools sharp and clean. Properly maintained cutting tools with sharp cutting edges are less likely to bind and are easier to control. Keep handles dry, clean, and free from oil and grease.

1. Make sure the cable is in proper working order and that the insulation is not cut or worn as this could represent a hazard and jeopardize operation.
2. Clean the cable with a cloth dipped in warm water to remove dirt or deposits and ensure correct rewinding.
3. Do not use detergents or solvents, which could damage the reel.
4. If it is necessary to perform maintenance on the electrical, mechanical parts of the reel, or to replace the cable, contact an authorized service center.

Parts Diagram



Parts List

Part No.	Description	Quantity
1	Hose Assembly	1
2	Drum	2
3	Nut	15
4	Bolt	8
5	Spring	1
6	Locking Ring	2
7	Washer	1
8	Spring Washer	1
9	Valve Assembly	1
10	Screw	1
11	Drum	1
12	Set Screw	1
13	Washer	4
14	Bolt	4
15	Spring Drum	1
16	Clamp	2
17	Screw	1
18	Screw	3
19	Bumper Block	1
20	Screw	6
21	Nut	6
22	Bumper Block	1
23	Spring	1
24	Bolt	4
25	Drum	1
26	Spring Core	2
27	Fixed Part Carrier	1
28	Live Part Carrier	1
29	Washer	2
30	Spring Washer	3
31	Bolt	2

Part No.	Description	Quantity
32	Cable Fitting	1
33	Nut	1
34	Seal	1
35	Screw Assembly	2
36	Cable	1
37	Main Shaft	1
38	Assembly Hub Bearing	2
39	Spring Drum Assembly	1
40	Clamp	1
41	Cable Assembly	1
42	Base Assembly	1
43	Cable Assembly	1
44	Nut	1
45	Grounding Mark	2
46	Cable	1
47	Cable	1
48	Cable Gland	1
49	Screw	3
50	Supplementary Protector	1
51	Screw	4
52	Cover	1
53	Support Plate Assembly	1
54	Ratchet Axle	1
55	Ratchet	2
56	Ratchet Spring	2
57	Nut	2
58	Bolt	1
59	Ratchet Axle	1
60	Spring Washer	2
61	Washer	2

Troubleshooting

Problem	Solution
Reel assembly will not latch	Contact your local supplier or a qualified technician for service.
Reel is not retracting.	Contact your local supplier or a qualified technician for service.
Air is leaking from a hose connection.	Tighten the leaking connection. If necessary, check whether the threads are stripped or not. If stripped, contact your local supplier or a qualified technician for service.
Air is leaking from the hose.	Check the hose for damage. If damaged, contact your local supplier or a qualified technician for replacement service.

Replacement Parts

- For replacement parts and technical questions, please call Customer Service at **1-800-222-5381**.
- Not all product components are available for replacement. The illustrations provided are a convenient reference to the location and position of parts in the assembly sequence.
- When ordering parts, the following will be required: Model Number, Serial Number/Lot Date Code, and Description.
- The distributor reserves the rights to make design changes and or improvements to product lines and manuals without notice.

Limited Warranty

Northern Tool and Equipment Company, Inc. ("We" or "Us") warrants to the original purchaser only ("You" or "Your") that the Klutch product purchased will be free from material defects in both materials and workmanship, normal wear and tear excepted, for a period of two years from date of purchase. The foregoing warranty is valid only if the installation and use of the product is strictly in accordance with product instructions. There are no other warranties, express or implied, including the warranty of merchantability or fitness for a particular purpose. If the product does not comply with this limited warranty, Your sole and exclusive remedy is that We will, at our sole option and within a commercially reasonable time, either replace the product or product component without charge to You or refund the purchase price (less shipping). This limited warranty is not transferable.

Limitations on the Warranty

This limited warranty does not cover: (a) normal wear and tear; (b) damage through abuse, neglect, misuse, or as a result of any accident or in any other manner; (c) damage from misapplication, overloading, or improper installation; (d) improper maintenance and repair; and (e) product alteration in any manner by anyone other than Us, with the sole exception of alterations made pursuant to product instructions and in a workmanlike manner. The hose, if supplied with the reel, O-rings, plastic rollers and rubber stopper are deemed to be normal wear items and are not warranted.

Obligations of Purchaser

You must retain Your product purchase receipt to verify date of purchase and that You are the original purchaser. To make a warranty claim, contact Us at 1-800-222-5381, identify the product by make and model number, and follow the claim instructions that will be provided. The product and the purchase receipt must be provided to Us in order to process Your warranty claim. Any returned product that is replaced or refunded by Us becomes our property. You will be responsible for return shipping costs or costs related to Your return visit to a retail store.

Remedy Limits

Product replacement or a refund of the purchase price is Your sole remedy under this limited warranty or any other warranty related to the product. We shall not be liable for: service or labor charges or damage to Your property incurred in removing or replacing the product; any damages, including, without limitation, damages to tangible personal property or personal injury, related to Your improper use, installation, or maintenance of the product or product component; or any indirect, incidental or consequential damages of any kind for any reason.

Assumption of Risk

You acknowledge and agree that any use of the product for any purpose other than the specified use(s) stated in the product instructions is at Your own risk.

Governing Law

This limited warranty gives You specific legal rights, and You also may have other rights which vary from state to state. Some states do not allow limitations or exclusions on implied warranties or incidental or consequential damages, so the above limitations may not apply to You. This limited warranty is governed by the laws of the State of Minnesota, without regard to rules pertaining to conflicts of law. The state courts located in Dakota County, Minnesota shall have exclusive jurisdiction for any disputes relating to this warranty.



Distributed by
Northern Tool and Equipment Company, Inc.
Burnsville, Minnesota 55306
NorthernTool.com

Made in China