

# FUELCUBE R2

Product Manual



Aboveground tanks for flammable  
and combustible liquids

---

**MODELS: FCP250, FCP500, FCP1000 AND FCP1800 R2**



# NUMBER ONE IN FUEL STORAGE

From a farm to a rock concert, our customers have one thing in common. They need a cost efficient, environmentally secure and safe source of fuel that's reliable and ready to go.

# Contents

<b>Introduction .....</b>	<b>1</b>
<b>Description .....</b>	<b>2</b>
<b>Operation Acceptance .....</b>	<b>3</b>
<b>Identification .....</b>	<b>4</b>
<b>Specification .....</b>	<b>6</b>
<b>Safety .....</b>	<b>7</b>
<b>Access &amp; Security.....</b>	<b>12</b>
<b>Cabinet Overview .....</b>	<b>13</b>
<b>Century Of Gravity.....</b>	<b>14</b>
<b>Lifting .....</b>	<b>18</b>
<b>Filling.....</b>	<b>19</b>
<b>Dispensing .....</b>	<b>20</b>
<b>Transporting.....</b>	<b>20</b>
<b>Stacking.....</b>	<b>21</b>
<b>Strapping Charts .....</b>	<b>22</b>
<b>Maintenance .....</b>	<b>26</b>
<b>Recommended Inspection .....</b>	<b>27</b>
<b>Inner Tank Removal.....</b>	<b>28</b>
<b>Torque Settings .....</b>	<b>31</b>
<b>Environmental.....</b>	<b>32</b>
<b>Troubleshooting .....</b>	<b>33</b>
<b>Warranty.....</b>	<b>34</b>

# Introduction

**Thank you for choosing Western Global**



**Please read the contents of this manual before use.**

- Ensure all operators are fully conversant with the procedures for lifting, loading, positioning, filling, maintaining and use of the unit
- By understanding and following the information and procedures in this manual, your tank will give you many years of safe use
- Certain information in this manual is governed by law and is subject to change without prior notice. Great care has been taken to ensure that the information is correct at the time of publication.
- However, the owner's / user's sole responsibility is to ensure that they and the tank fully comply with all legal requirements. Western Global cannot and will not accept any liability for any inaccuracy or incorrectly stated legal requirements
- Western Global reserves the right to alter product specifications without prior notice or obligation

**Western Global Tanks are designed and approved under various Global / International / National / Regional standards of safety <sup>1</sup>**

---

<sup>1</sup> Speak to your local / regional Western Global office for applicable standards.

# Description

## FCP – Static Fuel Tank

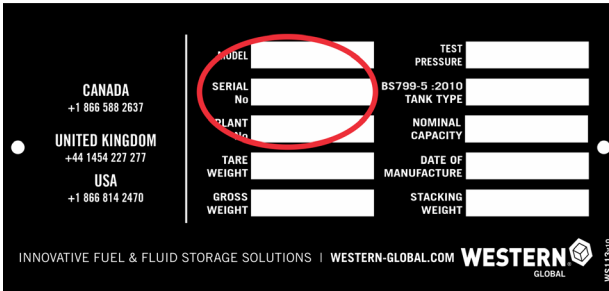
- The FCP range of fuel tanks have been designed to enable the safe storage of Flammable & Combustible fluids
- The FCP can be used as an auxiliary fuel tank, feeding generators etc., and for refuelling other equipment via a dedicated fuel pump
- All pipe work and pump systems are stored beneath a secure, lockable access lid
- The FCP must be empty before transporting
- To aid both transporting and handling, the FCP is fitted with forklift pockets (Lift empty only)
- Containment capacity equal to 110% of the primary tank's capacity
- The design enables maintenance of the containment area without speciality equipment
- The FCP has a comprehensive range of connection points to enable the attachment of various fittings
- The FCP can supply fuel to multiple feed lines
- The FCP can be used to refuel independent equipment
- The FCP is listed and approved to UL142 & CAN/ULC-S601 Standard for Steel Aboveground Tanks for Flammable and Combustible Liquids



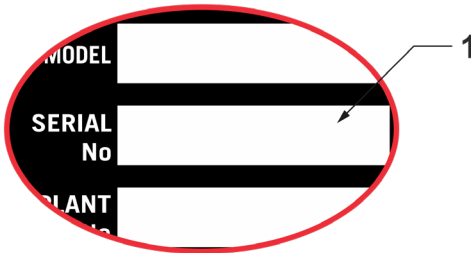
# Identification

Each tank is supplied with 3 unique identification numbers.

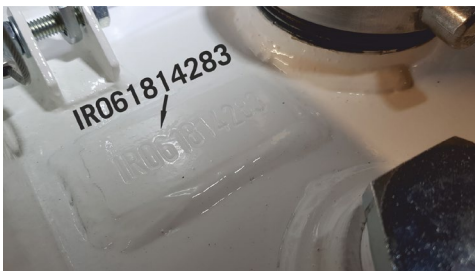
1. Western Serial Number
2. Manufacturing Serial Number
3. UL/ULC Serial Number



1, Western Serial Number

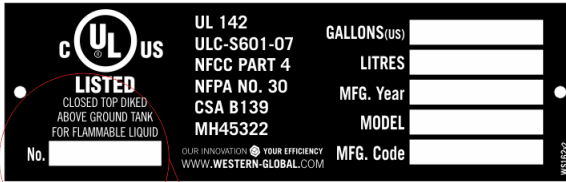


The Western Serial Number is located on the external of the tank (front or Side near the cabinet area



2, Manufacturing Serial Number

The tank number is positioned in the cab area and will be permanently attached to the primary tank.



3, UL/ULC Serial Number

The UL Plate is located on the external of the tank (front or Side near the cabinet area)

**Record your serial numbers here**

Western Data-plate Serial Number	
Manufacturing Serial Number	
UL/ULC Data plate Serial Number	
Plant Number*	

\*Optional customer plant number

# Specification

## Capacities / Dimensions

Model	Capacity					
	Litres		US Gallon		Imp. Gallon	
	Nominal	95%	Nominal	95%	Nominal	95%
FCP250	955	907	252	240	210	200
FCP500	2058	1955	544	516	453	430
FCP1000	3855	3662	1018	967	848	806
FCP1800	6991	6641	1847	1754	1538	1461

Model	Weight			
	KG		LBS	
	TARE	GROSS	TARE	GROSS
FCP250	397	1304	875	2875
FCP500	645	2600	1422	5732
FCP1000	1076	4738	2372	10466
FCP1800	1690	8331	3726	18367

Model	Dimension					
	Metric (mm)			Imperial (Inch)		
	L	W	H	L	W	H
FCP250	1164	1164	1288	46	46	51
FCP500	2212	1166	1288	87	46	51
FCP1000	2220	2320	1166	87	91	46
FCP1800	3969	2212	1166	156	87	46

# Safety



**Before using this equipment and to avoid personal injury, carefully read and understand these instructions.**

## General

- If there is anything you do not understand, contact your supplier for advice
- The unit must be operated by authorised personnel only
- This unit must not be moved, filled, maintained, or operated by persons who are under the influence of alcohol or drugs, tired or unwell
- You **MUST** perform a risk assessment before using this equipment to ensure your safety and the safety of others
- Wear the correct Personal Protective Equipment for the task you are performing
- Do not wear loose jewellery or clothing that may get in the way or become trapped in the mechanism
- Inspect the unit before use, if there is any doubt about its condition, **DO NOT USE IT**
- Do not smoke – No naked flames near the tank
- Please follow all necessary National and Regional Fire Safety Codes, and other Installation Codes as applicable in your region/country of use.



No Smoking



No Open Flames



Authorised Access Only



Wear Safety Glasses



Wear Safety Helmet



Wear Ear Protection



Wear Safety Shoes



Wear Safety Gloves



Wear Coveralls

**NOTE: Please check with the local authority for any further site requirements or regional legislation. A full risk assessment may be required**

## Limitations of use

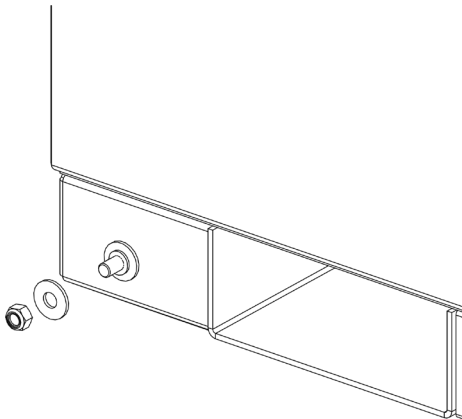
- The FCP is designed for the safe storage of noncorrosive, stable flammable and combustible liquids that have a specific gravity not exceeding 1.0 in aboveground applications
- UL 142 and CAN/ULC-S601 listed tanks are intended for installation by a variety of installation codes, including NFPA 30, NFPA 30A, NFPA 31, NFPA 37, NFPA 1 NFCC PART-4, CSA B138, CSAB139 and the International Fire Code.
- The FCP is not suitable for use underground

## Safe practice

The storage, transportation and dispensing of Flammable & Combustible fluids are governed by law and the user/operator has sole responsibility to ensure that any such rules and regulations are abided by.

## Earthing point

- The unit is fitted with an earthing point. This can be found on the bottom frame of the unit
- Used to protect against static electricity build-up, this should be connected to a suitable earthing point, by a qualified electrician, when in use



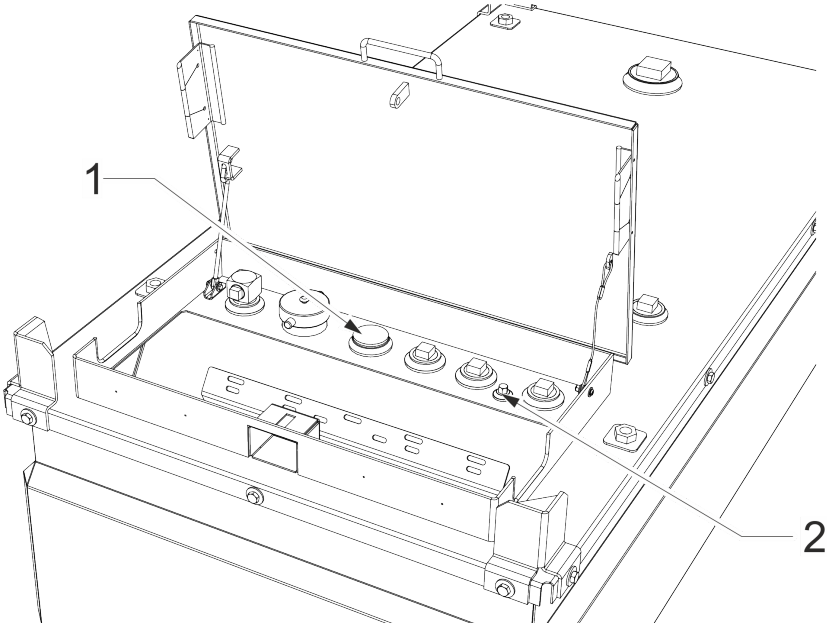
## Venting

Each unit has 2 common vents installed; these are installed in the Cab Area of the tank.

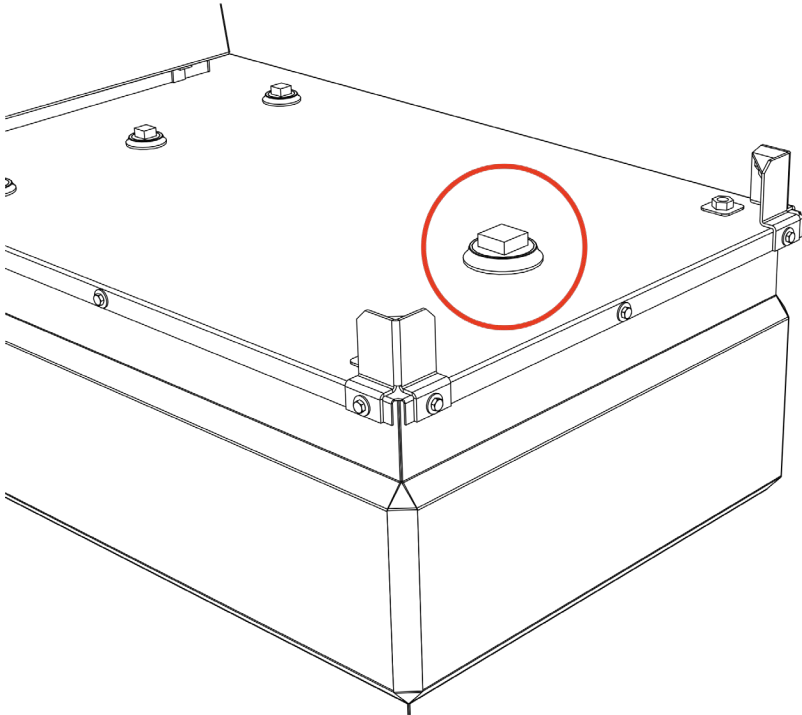
**IMPORTANT: Do not operate the unit if these vents are damaged or missing**

- 2" Pressure Vacuum Vent – Allows movement of air into the unit at low pressure during the pumping process and allows air out of the unit at a higher pressure to stop an overpressure of the internal tank
- ¼" Roll over Vent – Allows free flow air into and out of the tank at all times, this low volume vent will fully close if the tank is accidentally inverted or turned on its side
- For static installation follow local regional, state and national Fire Safety Codes and other governing Installation Codes for the Normal and Emergency Venting equipment and appurtenances.

1. 2" Pressure / Vacuum Vent
2. ¼" Breather Vent



All tanks come with the provision to install a UUL2583-compliant emergency vent, the dedicated port will be indicated on each tank.



**Vent size**

FCP250 – 3"

FCP500 – 4"

FCP1000 – 5"

FCP1800 – 6"

# Access & Security

## Access to the Cab Area

- The cabinet hatch is constructed of heavy-duty steel, care should be taken when opening or closing
- The cabinet hatch should be kept closed when the FCP is not being used, to protect the fittings and containment area from weather conditions.

## Access to Containment

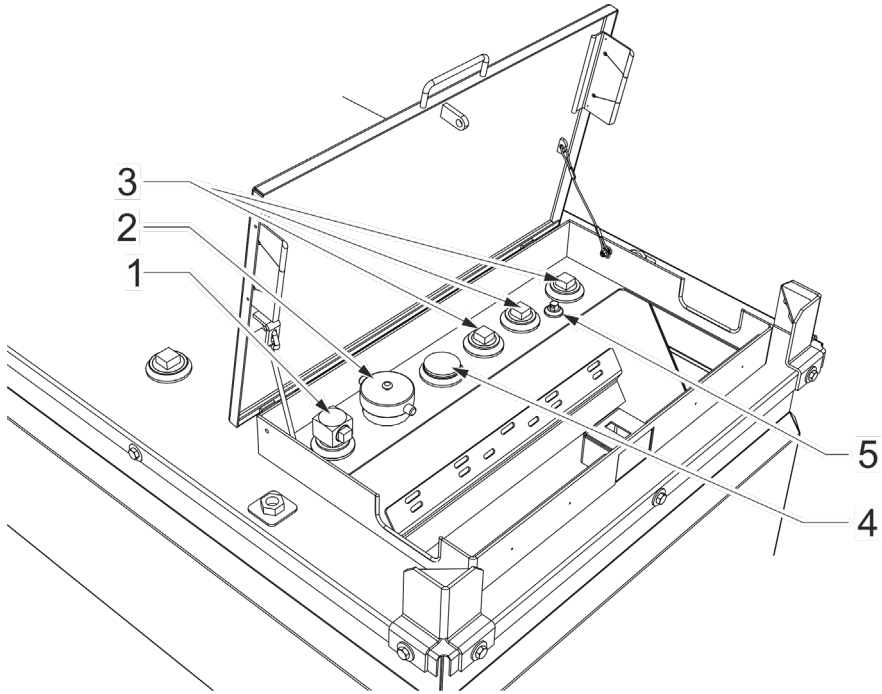
- The primary tank can be removed from the containment to allow easy inspection

## Security

- The FCP is fitted with a range of connections to enable the supply of **Flammable & Combustible fluids**. All the connections are housed behind the cabinet hatch, which can be locked using a suitable security padlock

# Cabinet Overview

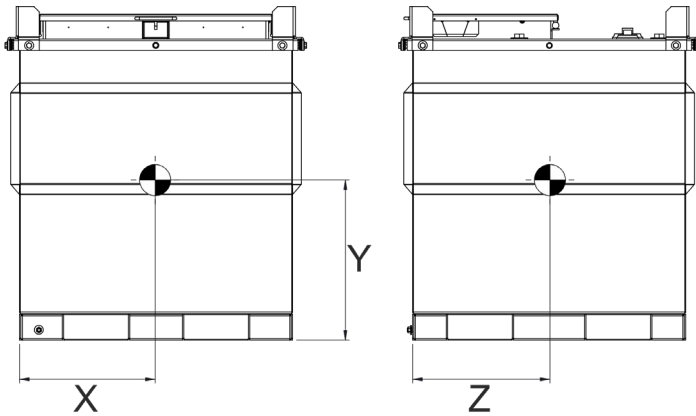
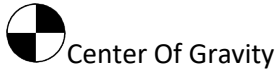
## Standard Unit



1. 1" Feed
2. 3" Fill Point
3. 3 x 1.5" Spare Ports
4. 2" Pressure / Vacuum Vent
5. 1/4" Roller Over Vent

# Century Of Gravity

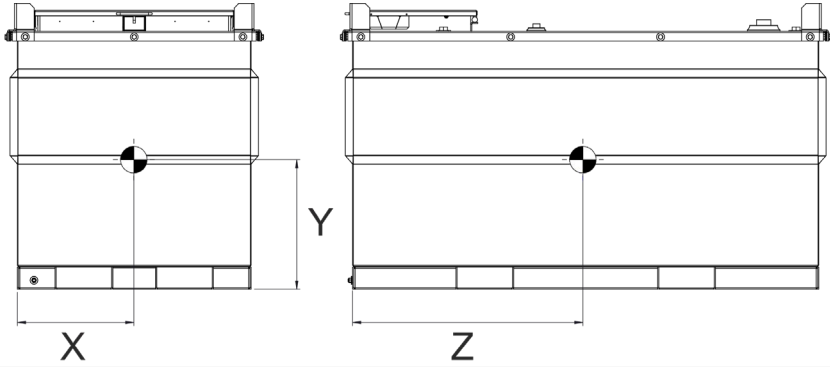
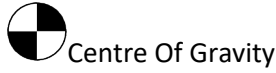
## FCP250 Centre of Gravity<sup>2</sup>



CENTER OF GRAVITY			
MEDIUM	X(mm)	Y(mm)	Z(mm)
EMPTY TANK	524	619	530
WITH FUEL	524	571	549

<sup>2</sup> Based on empty tank.

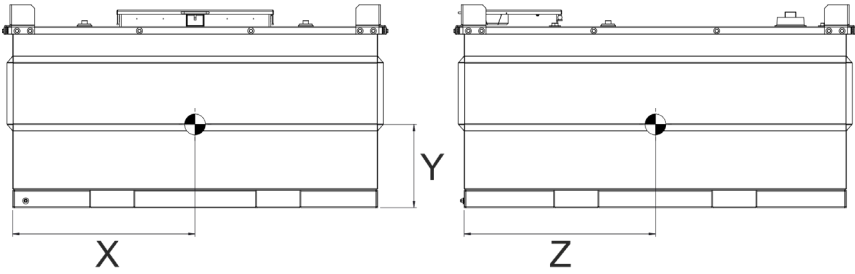
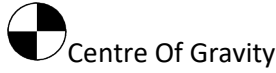
**FCP500 Centre of Gravity<sup>3</sup>**



CENTER OF GRAVITY			
MEDIUM	X(mm)	Y(mm)	Z(mm)
EMPTY TANK	525	584	1038
WITH FUEL	525	578	1073

<sup>3</sup> Based on empty tank.

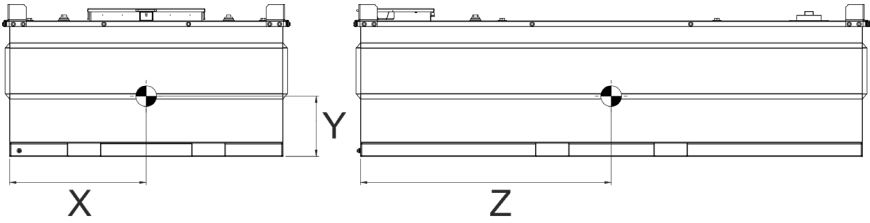
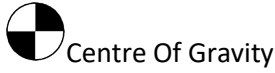
# FCP1000 Centre of Gravity <sup>4</sup>



CENTER OF GRAVITY			
MEDIUM	X(mm)	Y(mm)	Z(mm)
EMPTY TANK	1050	479	1102
WITH FUEL	1050	521	1134

<sup>4</sup> Based on empty tank.

# FCP1800 Centre of Gravity<sup>5</sup>



CENTER OF GRAVITY			
MEDIUM	X(mm)	Y(mm)	Z(mm)
EMPTY TANK	1050	463	1927
WITH FUEL	1050	528	1967

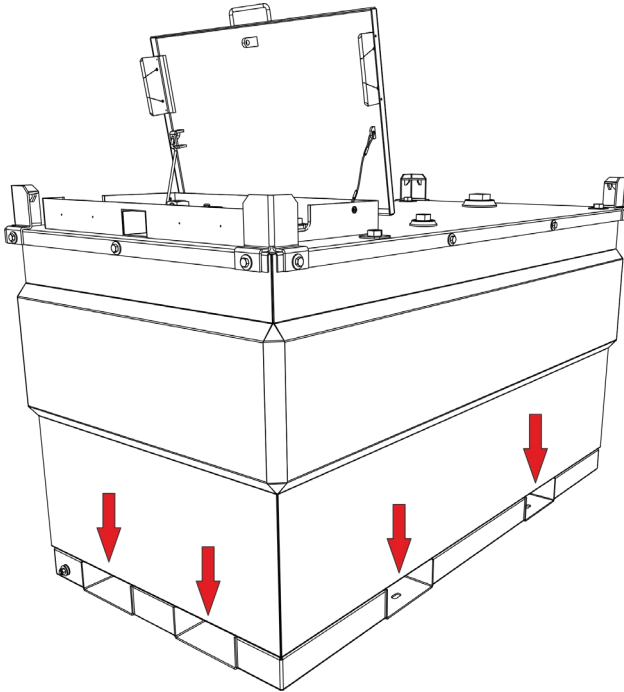
<sup>5</sup> Based on empty tank.

# Lifting

**IMPORTANT: Always prepare a Lifting Plan/Risk Assessment.**

By Forklift / Tele-handler

- Each FCP is fitted with forklift pockets which are designed to allow the FCP to be raised by a forklift/telehandler. The FCP can be lifted from all 4 sides. This must be considered in your risk assessment
- the total gross weight of the FCP must not be more than half (50%) of the forklift's maximum SWL. Ensure that the forklift's forks are set to the correct width for the FCP's fork pockets



## **WARNING**

**Do Not Lift from corner Brackets**

**Do not allow anyone under the raised load at any time or for any reason.**

## Positioning

Where the FCP is to be permanently positioned for use (long or short-term) certain aspects must be considered

- You should make sure that both supplying vehicle and receiving vehicle have safe and easy access to the FCP
- The position should be selected where the unit will be protected from accidental impact
- Consideration should be given to the location of overhead services such as telecommunications, power cables and overhanging obstructions. Be aware of the location of underground services, such as drains, and manhole covers
- You must also consider the ground surface and make sure it can support the weight of the FCP, its contents when full and any stored equipment such as pumps, without the risk of subsidence. It should be positioned on smooth and level ground with access available to the rear and sides
- Allow for access that may be required by the emergency services should it become necessary

## Filling

- **DO NOT FILL THE TANK WHEN DISPENSING IS IN OPERATION**
- Only fill the FCP to 95% of its nominal capacity See UNIT SPECIFICATION
- Filling should only be performed by a suitably trained person and only following a full risk assessment
- The FCP must be positioned on a firm-level surface.
- Before filling, ensure that you have a suitable spill containment kit and that you are wearing all required PPE
- Nozzle Fill - Unlock and open the access lid. Unscrew and remove the 3" filler cap, and place the filling nozzle in the 3" port
- **Do not leave the nozzle unattended during the filling process**
- Observe the fuel level for an indication of tank capacity, then once filled, replace the filler cap, and clean up any spills

## Dispensing

There are two options available for dispensing/supplying fuel. Either manually via a fuel pump and nozzle or by direct coupling to the equipment such as a generator.

- **By Fuel Pump** - For information about any pump system fitted to this FCP, please refer to the documents supplied with the pump.
- **Direct Coupling** - enables continuous fuel feed to equipment such as generators where fuel is required continuously.

## Transporting

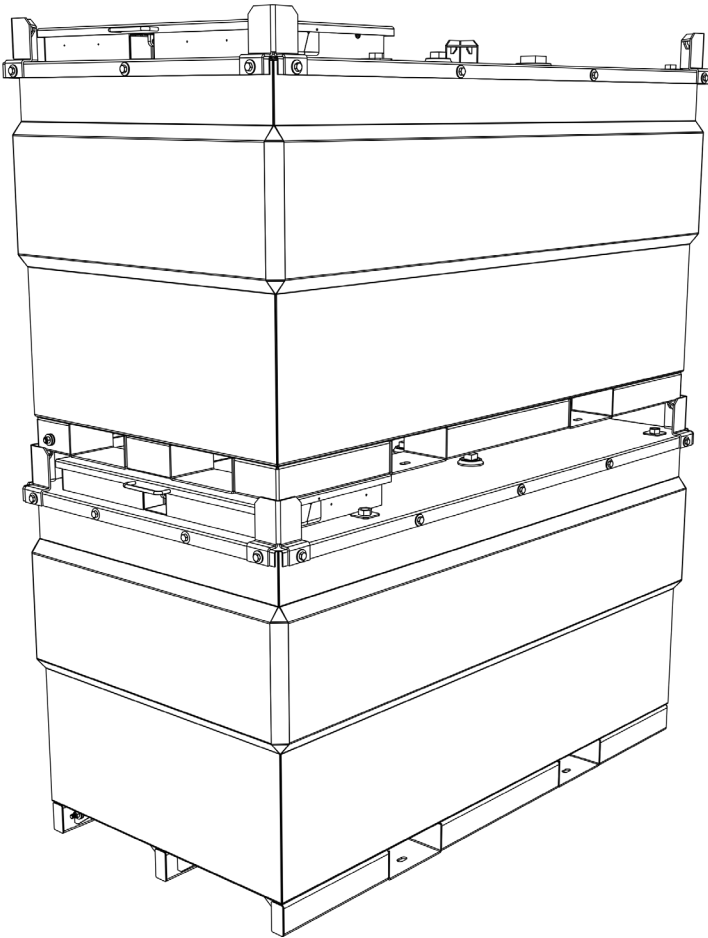
### **IMPORTANT: TRANSPORT EMPTY ONLY**

- In transport ALL ports, valves and vents must be closed
- Ensure the pump is turned off
- Close and lock the access lid
- The FCP must be secured firmly to its means of transport
- The FCP is designed with the structural strength to allow stacking 2 high when empty
- Always mate the corner brackets together to stabilise the stack.
- Use only a forklift with the required lift capacity to raise, lower or stack the tanks

## Stacking

- The FCP is designed with the structural strength to allow stacking 2 high **ONLY** when empty.
- Always mate the corner brackets together to stabilise the stack.
- Use only a forklift with the required lift capacity to raise, lower or stack the tanks.

**IMPORTANT: ONLY LIFT EMPTY**



# Strapping Charts

## FCP250

Depth (cm)	Depth (in)	Fuel Level (Litre)	Fuel Level (US-Gallon)	Fuel Level (Imp Gallon)
2	0.8	20	5	4
6	2.4	60	16	13
10	3.9	100	27	22
14	5.5	140	37	31
18	7.1	180	48	40
22	8.7	220	58	49
26	10.2	261	69	57
30	11.8	301	79	66
34	13.4	341	90	75
38	15.0	381	101	84
42	16.5	421	111	93
46	18.1	461	122	101
50	19.7	501	132	110
54	21.3	541	143	119
58	22.8	580	153	128
62	24.4	617	163	136
66	26.0	654	173	144
70	27.6	689	182	152
74	29.1	724	191	159
78	30.7	757	200	167
82	32.3	789	208	174
86	33.9	820	217	180
90	35.4	850	225	187
<b>95</b>	<b>37.4</b>	<b>878</b>	<b>232</b>	<b>193</b>
98	38.6	906	239	199
100	39.4	919	243	202

1. Highlighted on the strapping chart is the maximum safe fill level @ 95% of the nominal volume. DO NOT FILL ABOVE THIS LEVEL
2. The dip chart volume is taken from the lowest point in the tank.
3. When programming a level monitoring system, the difference in floor height at the port location (where the instrument is mounted) should be subtracted from the fill height for each volume increment line to equate to the corresponding fill height at the instrument location.

**FCP500**

Depth (cm)	Depth (in)	Fuel Level (Litre)	Fuel Level (US-Gallon)	Fuel Level (Imp Gallon)
2	0.79	41	11	9
6	2.36	123	33	27
10	3.94	206	54	45
14	5.51	288	76	63
18	7.09	370	98	82
22	8.66	453	120	100
26	10.24	535	141	118
30	11.81	617	163	136
34	13.39	700	185	154
38	14.96	782	207	172
42	16.54	864	228	190
46	18.11	946	250	208
50	19.69	1029	272	226
54	21.26	1111	293	244
58	22.83	1192	315	262
62	24.41	1272	336	280
66	25.98	1351	357	297
70	27.56	1429	377	314
74	29.13	1505	398	331
78	30.71	1581	418	348
82	32.28	1655	437	364
86	33.86	1728	457	380
90	35.43	1800	476	396
94	37.01	1871	494	412
<b>95</b>	<b>37.40</b>	<b>1906</b>	<b>504</b>	<b>419</b>
100	39.37	1975	522	435

1. Highlighted on the strapping chart is the maximum safe fill level @ 95% of the nominal volume. **DO NOT FILL ABOVE THIS LEVEL**
2. The dip chart volume is taken from the lowest point in the tank.
3. When programming a level monitoring system, the difference in floor height at the port location (where the instrument is mounted) should be subtracted from the fill height for each volume increment line to equate to the corresponding fill height at the instrument location.

**FCP1000**

Depth (cm)	Depth (in)	Fuel Level (Litre)	Fuel Level (US-Gallon)	Fuel Level (Imp Gallon)
2	0.79	88	23	19
6	2.36	263	69	58
10	3.94	438	116	96
14	5.51	613	162	135
18	7.09	788	208	173
22	8.66	963	254	212
26	10.24	1138	301	250
30	11.81	1313	347	289
34	13.39	1488	393	327
38	14.96	1663	439	366
42	16.54	1837	485	404
46	18.11	2010	531	442
50	19.69	2180	576	480
54	21.26	2348	620	517
58	22.83	2514	664	553
62	24.41	2678	707	589
66	25.98	2839	750	624
70	27.56	2998	792	659
74	29.13	3154	833	694
78	30.71	3309	874	728
82	32.28	3461	914	761
<b>86</b>	<b>33.86</b>	<b>3611</b>	<b>954</b>	<b>794</b>
90	35.43	3758	993	827

1. Highlighted on the strapping chart is the maximum safe fill level @ 95% of the nominal volume. DO NOT FILL ABOVE THIS LEVEL
2. The dip chart volume is taken from the lowest point in the tank.
3. When programming a level monitoring system, the difference in floor height at the port location (where the instrument is mounted) should be subtracted from the fill height for each volume increment line to equate to the corresponding fill height at the instrument location.

**FCP1800**

Depth (mm)	Depth (In)	Fuel Level (Litre)	Fuel Level (US Gallon)	Fuel Level (Imp Gallon)
2	0.79	156.0	41.2	34.3
6	2.36	469.0	123.9	27.2
10	3.94	782.0	206.6	45.3
14	5.51	1095.0	289.3	240.9
18	7.09	1408.0	372.0	309.7
22	8.66	1721.0	454.6	378.6
26	10.24	2034.0	537.3	447.4
30	11.81	2347.0	163.1	516.3
34	13.39	2660.0	702.7	585.1
38	14.96	2973.0	785.4	654.0
42	16.54	3285.0	867.8	722.6
46	18.11	3596.0	950.0	791.0
50	19.69	3904.0	1031.3	858.8
54	21.26	4209.0	1111.9	925.8
58	22.83	4513.0	1192.2	992.7
62	24.41	4814.0	1271.7	1058.9
66	25.98	5112.0	1350.4	1124.5
70	27.56	5409.0	1428.9	1189.8
74	29.13	5703.0	1506.6	1254.5
78	30.71	5995.0	1583.7	1318.7
82	32.28	6285.0	437.1	1382.5
86	33.86	6572.0	1736.1	1445.6
<b>87.75</b>	<b>34.55</b>	<b>6696.0</b>	<b>1768.9</b>	<b>1472.9</b>
90	35.43	6857.0	1811.4	1508.3
92.7	36.50	7048.0	1861.9	1550.3

4. Highlighted on the strapping chart is the (MSF) maximum safe fill level @ 95% of the nominal volume. DO NOT FILL ABOVE THIS LEVEL
5. The dip chart volume is taken from the lowest point in the tank.
6. When programming a level monitoring system, the difference in floor height at the port location (where the instrument is mounted) should be subtracted from the fill height for each volume increment line to equate to the corresponding fill height at the instrument location.

# Maintenance

V = Visual inspection P = Physical Check L = Lubricate R = Replace							
Item	Daily	Weekly	Monthly	6 monthly	Yearly	Other	Reference / Comments
General							
Housekeeping		V		P			Check site and tank. Remove debris etc.
Firefighting media (if fitted)		V		P			V = Check in place and unused P = Test pressure and function
Doors			V		L		V = Visual inspection L = Greases hinges
Signage			V/R				Check damage and wear
Tank							
Ball valves		P					P = Check operation
Vents, fittings and pipelines		V		P			V = Visual checks for leaks and damage P = physical check, bolt tightness, paint deterioration
Interstitial space (Containment)		P					Check for water or product
Tank earthing				V	P		V = Visual check OK P = Test continuity

# Recommended Inspection

Western recommends that the owner of the FCP carries out a regular inspection.

Please follow your local County, City, State or National Fire Safety and Environmental Protection Codes for the periodicity of regular inspections. This is for guidance only.

**IMPORTANT:** Always follow local or preventive schedules

- Internal inspection
- External inspection
- Function of all components
- Leak test. Please strictly follow regulatory guidelines and State EPA guidelines for leak testing. Please don't leak-test the tank beyond 3.0-PSIG / 21-kPa pressure.

## Record Keeping

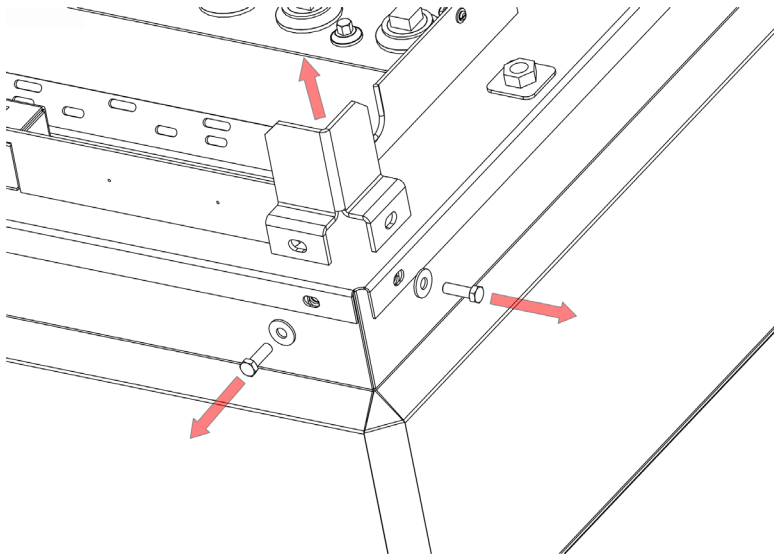
- It is recommended that a report of each inspection and leak test is kept for each tank
- Below is a simple example of an inspection record sheet

Owner		Date of manufacture		
Model				
Serial Number		Plant Number		
Capacity				
Date	Pass or Fail	Comments	Inspectors Name	Signature

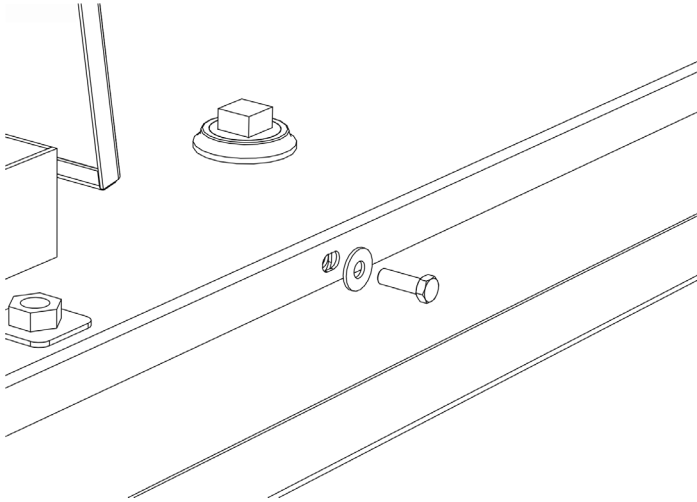
# Inner Tank Removal

For periodic inspection and maintenance, you may be required to remove the inner tank from the outer tank. Follow local Health and Safety rules when carrying out this operation.

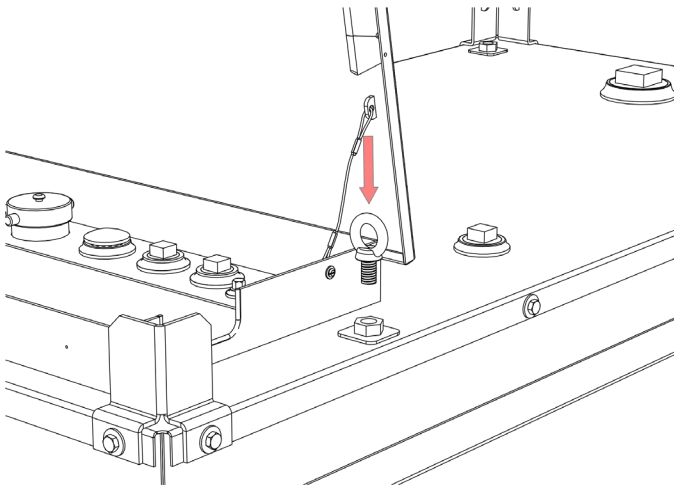
**IMPORTANT - Ensure the tank is empty before lifting.**



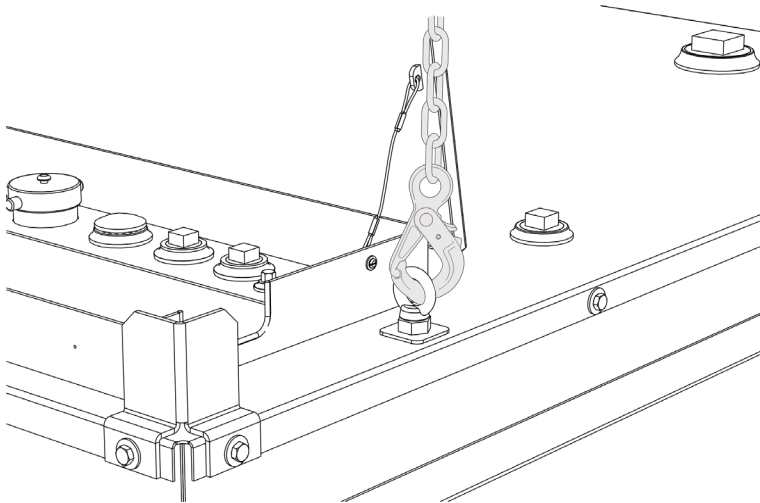
Remove all 4 corner brackets. Store brackets, nuts and bolts safely



Remove the fixings which secure the top panel to the containment.  
Store rails, nuts, and bolts safely



Insert the M22 lifting eye into each corner of the inner tank



Using a 4-leg lifting chain attached to each corner carefully remove the inner tank

To re-install the inner tank into the containment, follow the steps in reverse. Always ensure the bolts are torqued.

# Torque Settings

## Nuts and Bolts

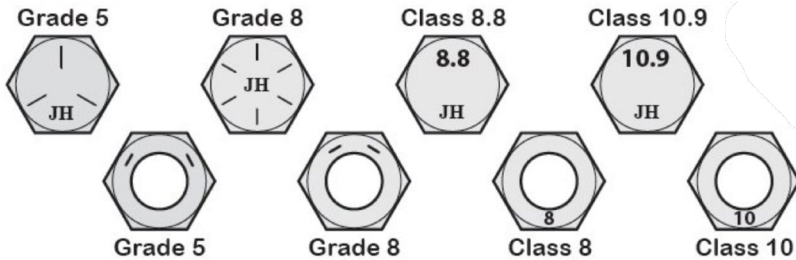
If the tank is required to be dismantled and re-assembled the tank nuts and bolts used are required to be torqued, torque settings are shown in the table below.

### Metric Torque Specifications

Size	Typical Maximum Tightening Torque <b>Nm</b> ( <i>lb-ft</i> )	
	Property Class	
	Grade 8.8	Grade 10.9
M8	<b>30</b> (21)	<b>40</b> (30)
M10	<b>55</b> (42)	<b>75</b> (60)
M12	<b>100</b> (74)	<b>135</b> (106)

Torque figures indicated above are valid for lightly oiled threads. Therefore, do not grease or oil bolts or cap screws unless otherwise specified.

Torque values for bolts and cap screws are identified by their head markings (property class).



# Environmental

Correct and considerate management of Flammable & Combustible fluids, their storage and transfer are the responsibility of everyone who operates or maintains this equipment. All necessary precautions should be made to prevent spills and subsequent pollution of the environment.

Have in place a clear action plan to deal with an accidental spill, no matter how small or large. Ensure that you have a Flammable & Combustible fluids spill containment kit available and that you understand its correct use.

## Spills

Should a spill occur when emptying the containment, or when filling or transferring fuel, clear the spill as quickly as possible using absorbent material. Ideally, you should use a dedicated spill kit which will contain all the necessary items to retain and remove such a spill.

- DO NOT hose the area down or use any detergents
- DO NOT allow the fuel to enter drains or watercourses
- Spills must be reported to your local Authority
- All material used to retain and remove a spill should be bagged and collected by a registered carrier

## Containment

The FCP containment area safeguards against any spill exiting the unit and polluting the immediate area. The containment is designed to retain up to 110% of the unit's primary tank maximum storage capability.

- Check regularly for liquid in the containment
- Remove any water
- Take immediate remedial action if product or water is found

### **WARNING**

Waste may only be collected by a registered carrier.

## Disposal

When maintaining, servicing or disposing of the FCP or consumable components, do not dispose of contaminated parts within general refuse.

Refer to local authority regulations for their correct disposal.

# Troubleshooting

The FCP is a simple and reliable system

Below we have listed common problems, causes and solutions that you may encounter.

If a problem is difficult to solve, even after having read through this troubleshooting section, please call your local Western Global distributor or dealer.

Before you call, please have the tank Identification Marks ready (Serial and Tank numbers)

PROBLEM	CAUSE	SOLUTION
The pump will not run	No Power	Connect power wires to the correct power source
	Pump Off	Turn pump on
Fuel in containment	Loose fitting	Tighten fitting
	Leaking Coupler	Replace coupler
	Over filling	Monitor the fuel level when filling. Do not fill past 95% of the nominal capacity
Water in containment	The lid was left open to the weather	Keep the lid closed! Immediately remove water from the containment tank

# Warranty

The Company undertakes to replace or repair, free of charge, any defect which the Company considers to be due to faulty workmanship or material within 36 months (or otherwise stated) of the sale date, except for:

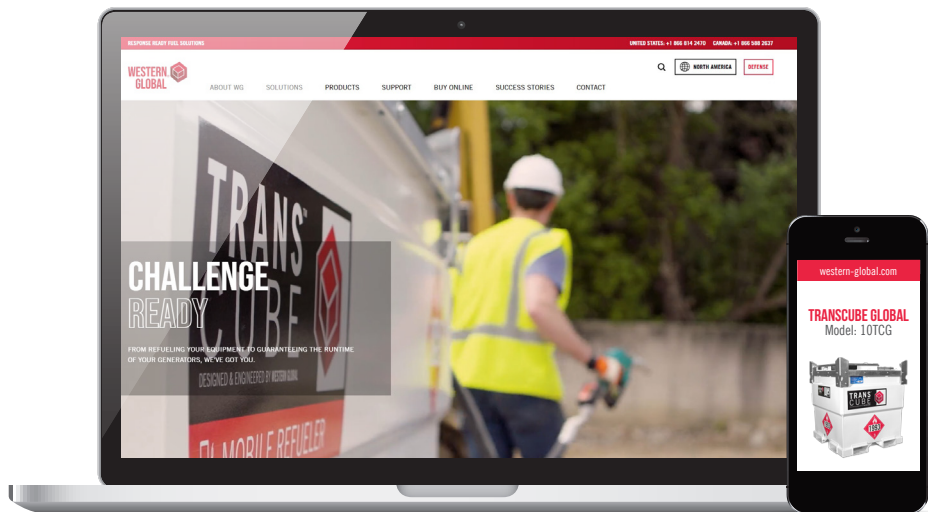
- Defects arising from neglect, misuse or unauthorised modifications.
- Damage caused by abuse, misuse, dropping or other similar damage caused by or because of a failure to follow transportation, storage, loading or operation instructions.
- Alterations, additions or repairs carried out by persons other than the manufacturer or their recognised distributors.
- Transportation or shipment costs to and from the manufacturer or their recognised agents, for repair or assessment against a warranty claim, on any product or component.
- Materials and/or labour costs to renew, repair or replace components due to normal wear and tear.
- Faults arising from the use of non-standard or additional parts, or any consequential damage or wear caused by the fitting or use of such parts.

## **IMPORTANT**

Warranty may, at the manufacturer's sole discretion, be voided if the scheduled service/inspections are not carried out in accordance with the logbook. The manufacturer and/or their recognised agents, directors, employees or insurers will not be held liable for consequential or other damages, losses or expenses in connection with, or because of, or due to the inability to use the product for any purpose.



# NEED MORE INFORMATION?



PRODUCT DETAILS | CUSTOMER SUPPORT | COMPANY NEWS & UPDATES

**VISIT WESTERN GLOBAL.COM**

**WESTERN GLOBAL<sup>®</sup>**

Response ready fuel solutions



# WESTERN GLOBAL<sup>®</sup>



Response ready fuel solutions

## **UK OFFICE:**

Western House, Broad Lane  
Yate, Bristol BS37 7LD

## **UK CONTACT**

**T:** +44 1454 227 277  
**E:** [info.uk@western-global.com](mailto:info.uk@western-global.com)  
Western-global.com

---

## **USA - DETROIT OFFICE:**

1707 Northwood Drive  
Troy, MI 48084

## **USA - CHARLOTTE OFFICE:**

10233 Rodney Street  
Pineville, NC 28134

## **USA - SACRAMENTO OFFICE:**

8600 23RD Ave. Suite A  
Sacramento, CA 95826

## **CANADA OFFICE:**

508 Goldenrod Dr, Rosser,  
Winnipeg, MB R4B 0A1

---

## **USA CONTACT**

**T:** +1 866 814 2470  
**E:** [info.us@western-global.com](mailto:info.us@western-global.com)  
Western-global.com

## **CANADA CONTACT**

**T:** +1 866 588 2637  
**E:** [info.ca@western-global.com](mailto:info.ca@western-global.com)  
Western-global.com

All rights reserved. No part of this manual may be reproduced, stored in a retrieval system, or transmitted, in any form or by any means, electronic, mechanical, photocopying, recording or otherwise without the prior permission of Western Global Ltd