

# Turf Maintenance Lift Kit Quick Start Guide

Document P/N 5900178 — Revision A1 — Released April 2021



The Turf Maintenance Lift Kit is a Lift accessory that adapts BendPak's Two-Post Lift models GP-7 Series, D2-10C, XPR-9TS, XPR-9SBT, XPR-10S Series, XPR-10TS Series, and the XPR-10XLS Series. The adapter consists an adjustable, full-width Wheel Stop and adjustable left and right Wheel Forks. One version utilizes a fixed width Wheel Stop for use on the GP-7 series Lift only.

More information about BendPak products, including Two-post Lifts, is available at [bendpak.com](http://bendpak.com).

**Quick Start Guide.** Turf Maintenance Lift Kit, Quick Start Guide, Part Number 5900178, Revision A1, released April 2021.

**Copyright.** Copyright © 2021 by BendPak Inc. All rights reserved. You may make copies of this document if you agree that: full attribution goes to BendPak Inc., you are not authorized to make changes to the content, you do not gain any rights to this content, and you will not use the copies for commercial purposes.

**Trademarks.** BendPak, and the BendPak logo, are registered trademarks of BendPak Inc. All other company, product, and service names are used for identification only. All trademarks and registered trademarks mentioned in this manual are the property of their respective owners.

**Limitations.** Every effort has been made to ensure complete and accurate instructions are included in this guide. However, product updates, revisions, and/or changes may have occurred since this guide was published. BendPak reserves the right to change any information in this guide without incurring any obligation for equipment previously or subsequently sold. BendPak is not responsible for typographical errors in this guide. You can always find the latest version of the **Quick Start Guide for your product on the BendPak website.**

**Warranty.** The BendPak warranty is more than a commitment to you; it is also a commitment to the value of your new product. Contact your nearest BendPak dealer or visit [www.bendpak.com/support/](http://www.bendpak.com/support/) for full warranty details. Be sure to register your warranty with BendPak.

**Safety.** Your Turf Maintenance Lift Kit was designed and manufactured with safety in mind. Your safety also depends on proper training and thoughtful operation. Do not set up, operate, maintain, or repair the Lift without reading and understanding this manual and the labels on the unit; ***do not use your Lift unless you can do so safely!***

**Owner Responsibility.** In order to maintain your product properly and to ensure operator safety, it is the responsibility of the product owner to read and follow these instructions:

- Follow all installation, operation, and maintenance instructions.
- Make sure product installation conforms to all applicable local, state, and federal codes, rules, and regulations, such as state and federal OSHA regulations and electrical codes.
- Read and follow all safety instructions. Keep them readily available for operators.
- Make sure all operators are properly trained, know how to safely operate the unit, and are properly supervised.
- Do not operate the product until you are certain all parts are in place and operating correctly.
- Carefully inspect the product on a regular basis and perform all maintenance as required.
- Service and maintain the unit only with approved replacement parts.
- Keep the manual with the product and make sure all labels are clean and visible.
- **Only use the Lift and the Turf Kit if it can be used safely!**

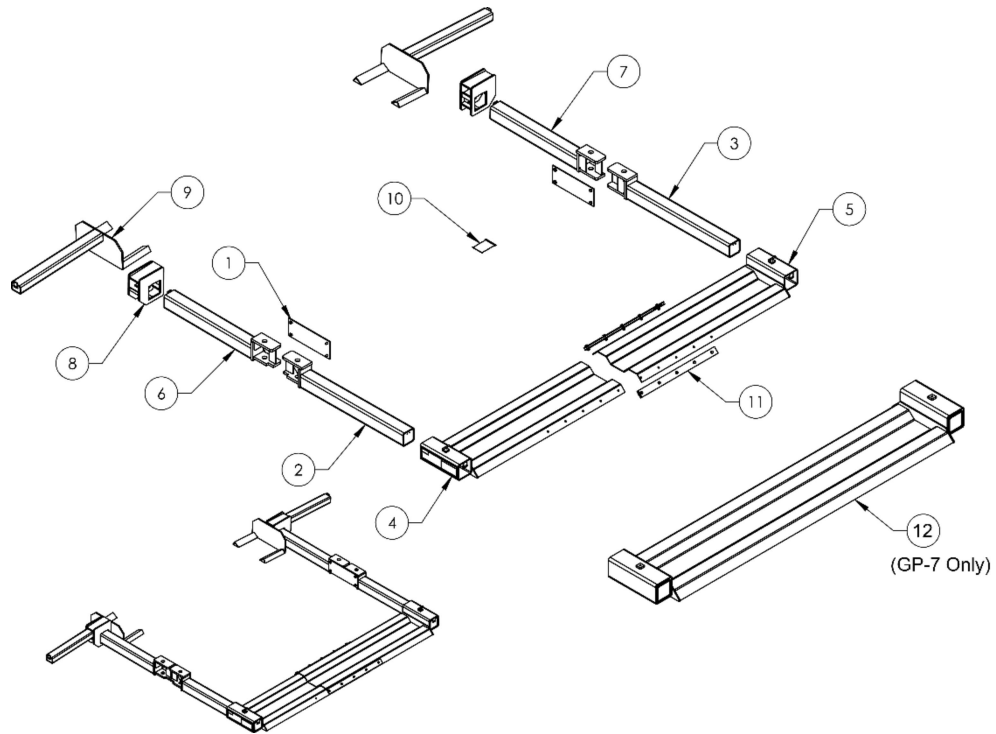
## Liability Information

BendPak assumes **no** liability for damages resulting from:

- Use of the equipment for purposes other than those described in this guide.
- Modifications to the equipment without prior, written permission from BendPak.
- Modifying, disabling, overriding, or removing safety features.
- Damage to the equipment from external influences.
- Incorrect operation of the equipment.

# Components

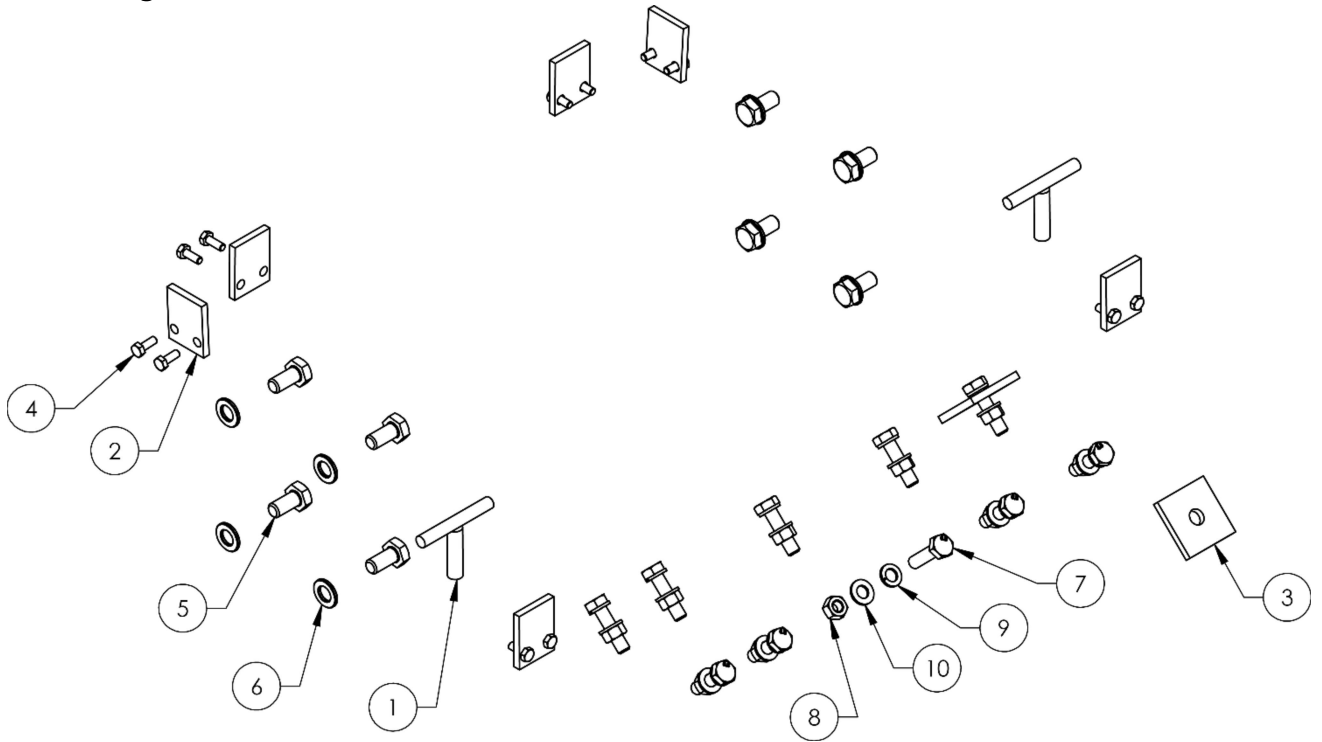
## Turf Kit Assembly with Adjustable Wheel Stop (5210262) and Fixed Stop (5174042) (GP-7 Only)



### Parts List

Item	Qty.	Part No. (5210262)	Part No. (5174042) (GP-7 Only)	Description
1	2	5700174	5700377	Turf Kit Lift Head Gusset Closeout
2	2	5600352	5600352	Turf Kit Long Lift Arm – Right Front
3	2	5600353	5600353	Turf Kit Long Lift Arm – Left Front
4	1	5601636	N/A	Turf Kit Rear Wheel Stop Weldment, Inner
5	1	5601637	N/A	Turf Kit Rear Wheel Stop Weldment, Outer
6	1	5600347	5600347	Turf Kit Short Lift Arm – Right Rear
7	1	5600348	5600348	Turf Kit Short Lift Arm – Left Rear
8	6	5601178	5601178	Turf Kit Slide Receiver Weldment
9	2	5210229	5210229	Turf Kit Wheel Fork Weldment
10	8	5174068	N/A	Turf Kit Parts Bag
11	8	5735866	N/A	Turf Kit Trough Support Strap
12	1	N/A	5601404	GP-7 Rear Wheel Stop Weldment

## Parts Bag



### Parts Bag Parts List

Item	Qty.	Part No. (Adj. Width)	Part No. (Fixed Width) (GP-7 Only)	Description
1	2	5600719	5600719	Turf Kit Rear Wheel Stop Locking Pin Weldment
2	6	5735197	5735197	Turf Kit Stop Plate
3	2	5737242	N/A	Turf Kit Trough Spacer
4	12	5530019	5530019	Hex Head Bolt M6 x 16
5	8	5530029	5530029	Hex Head Bolt M12 x 25
6	8	5545347	5545347	Washer, M12 Flat Washer
7	10	5530421	N/A	M10 x 40 Hex Head Bolt
8	10	5535998	N/A	Nut M10
9	10	5545200	N/A	Washer, M10 x Ø18 Split Lock
10	10	5545341	N/A	Washer, M10 x Ø20 Flat

# Weight Restrictions

- ⚠ WARNING** Do not exceed the rated capacity of the Turf Kit at any time for any reason; you could damage the Lift, the Turf Kit, the Vehicle on the Lift, and injure anyone in the vicinity of the Lift. ***Exceeding the rated capacity voids your warranty.***
- Maximum rated capacity of the Turf Kit is 7,000 lb. / 3,175 kg.
- Maximum rated capacity of the individual fork arms is 1,750 lb. / 794 kg per arm
- Maximum rated capacity of the Wheel Stop is 3,500 lb. / 1588 kg.
- The weight of the Vehicle should always be evenly distributed between the Lift Posts and centered midway on the Turf Adapter Kit.

## Safety Rules

**Important:** Your safety is dependent on reading, understanding, and implementing these Safety Rules. ***Do not skip over them; read them carefully and follow them!***

To use your Turf Kit Adapter safely:

- The Turf Kit is a Two-Post Lift Accessory intended to aid in the servicing of Lawn Maintenance equipment. ***Use this kit only for its intended purpose.***
- The Lift should only be operated by authorized personnel. Keep children and untrained personnel away from the Lift and this Turf Kit.
- Do not make any modifications to the Turf Kit; this voids the warranty and increases the chances of injury or property damage. ***Do not modify any safety-related features in any way.***
- Do not use a Lift or the Turf Kit while tired or under the influence of drugs, alcohol, or medication.
- Make sure all operators read and understand this *Quick Start Guide*. Keep the Guide near the Lift at all times.
- Make a visual inspection of the Lift and the Turf kit before using it. Do not use the Lift if you find any missing or damaged parts. Instead, take it out of service, then contact an authorized repair facility, your distributor, or BendPak at **(805) 933-9970** or by email at **support@bendpak.com**.
- BendPak recommends making a ***thorough*** inspection of the Lift at least once a year. Replace any damaged or severely worn parts, decals, or warning labels.

**⚠ DANGER** **When adding or removing heavy components from a Vehicle be mindful of your impact on the Vehicle's center of gravity; use Jack Stands in addition to the Turf Kit.**

- ⚠ WARNING** Use care when using your Turf Kit. Walk completely around the Turf Kit and Lift. Verify there are no obstructions that will impede the Kit or the Lift when it is raised.
- Before lowering the Lift and Turf Kit, check underneath it to make sure there are no obstructions. Clear obstructions prior to lowering.
  - Before driving a Vehicle onto the Lift, make sure there are no tools, personnel or other obstructions in your path.
  - Always verify that the center of gravity of the Lawn Maintenance equipment is centered on the Lift and the Turf Kit.

# Setup

The following procedure details the steps required to get your Turf Kit setup and running.

The GP-7 Two-Post Lift is used as an example throughout this Quick Start Guide. Your specific Lift may look slightly different. The Turf Kit is designed to function with the following BendPak Two-Post Lifts:

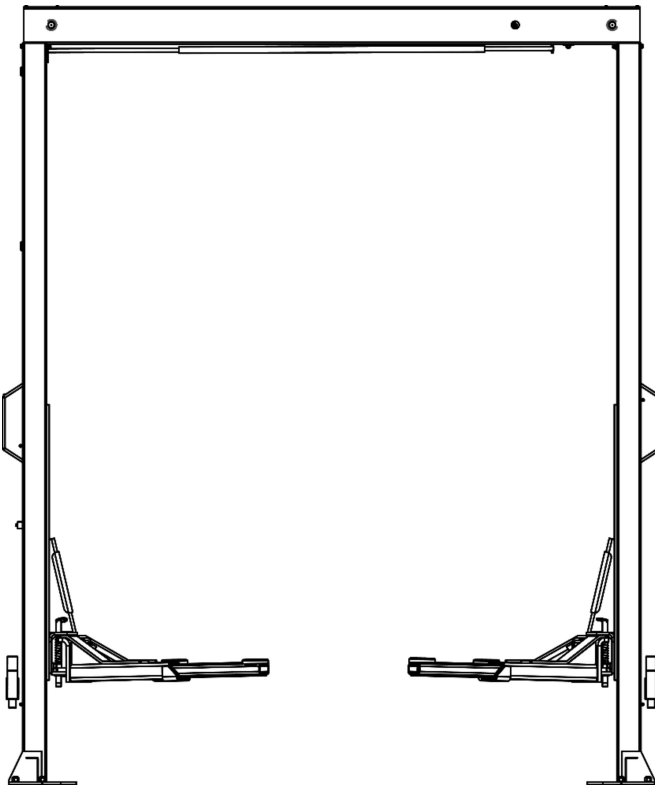
GP-7 Series	D2-10C	XPR-9TS	XPR-9SBT
XPR-9S Series	XPR-10S Series	XPR-10TS Series	XPR-10XLS Series

**⚠ WARNING** Lifting Hazard – Heavy Objects. Single Person lifting could cause injury. Seek assistance or use proper equipment (Forklift, or Shop Hoist) when moving or lifting components.

**⚠ WARNING** You must wear appropriate protective equipment **at all times** during setup and installation: leather gloves, steel-toed work boots, eye protection, and back belts.

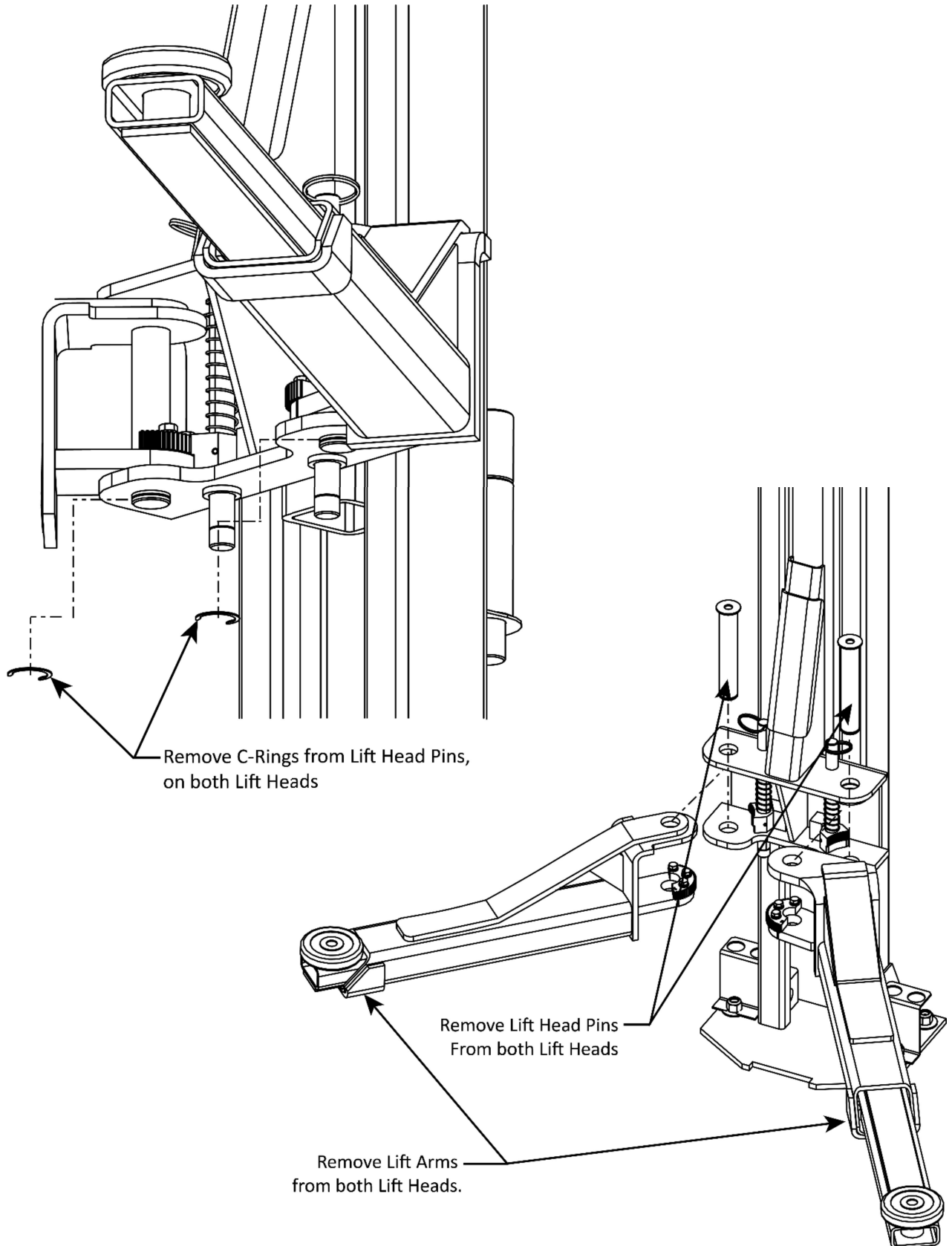
## To set up your Turf Kit:

1. Remove the Turf Kit packaging and verify the parts.
2. On your Two-Post Lift, raise the Lift Arms until the Lift Head rests on the first Safety Lock.

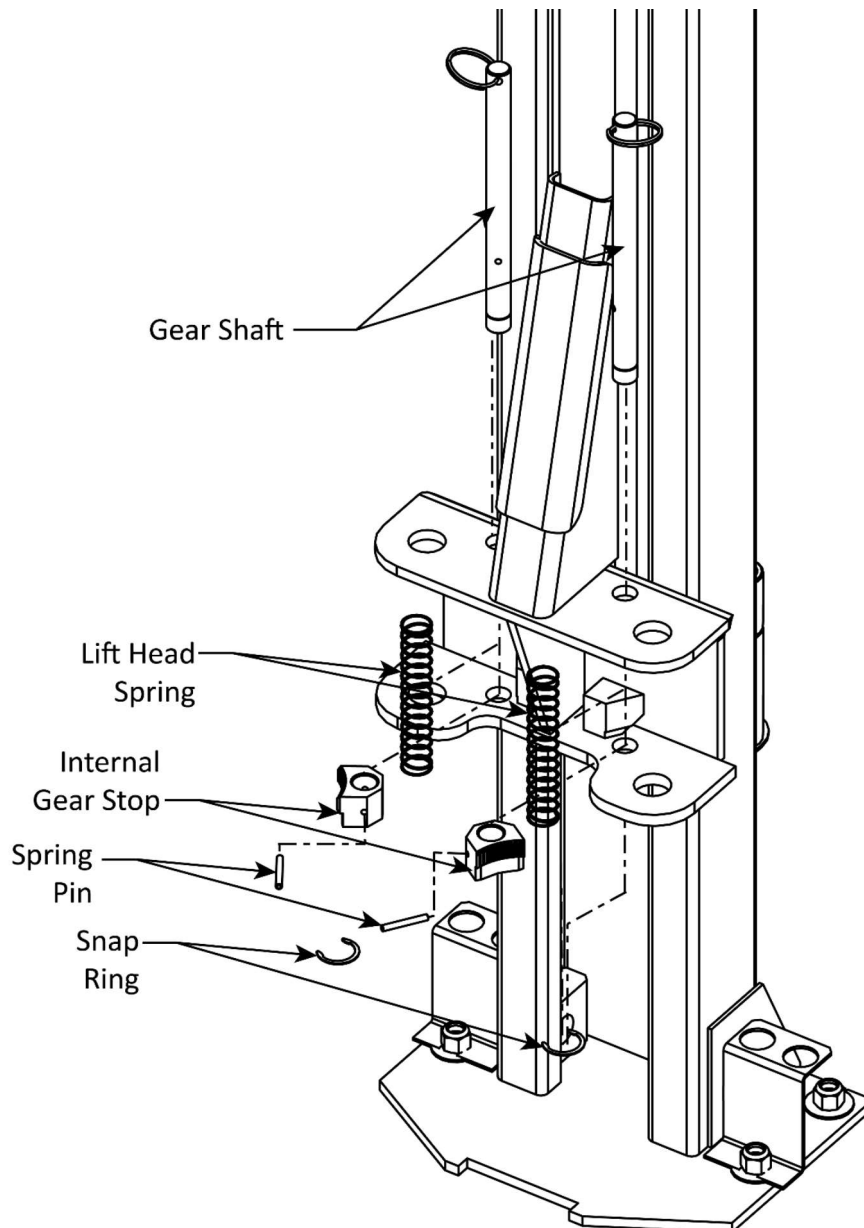


*Drawing not to scale. Not all components shown.*

3. Remove the four C-Rings that retain the Lift Head Pins on both Lift Heads. Remove the Lift Head Pins and Lift Arms. Retain the Pins and C-Rings where they are accessible, they will be used with the Turf Kit. Store the Lift Arms where they will be out of the way. (GP-7 Lift Head shown. Your actual Lift may appear differently, and use different components.)

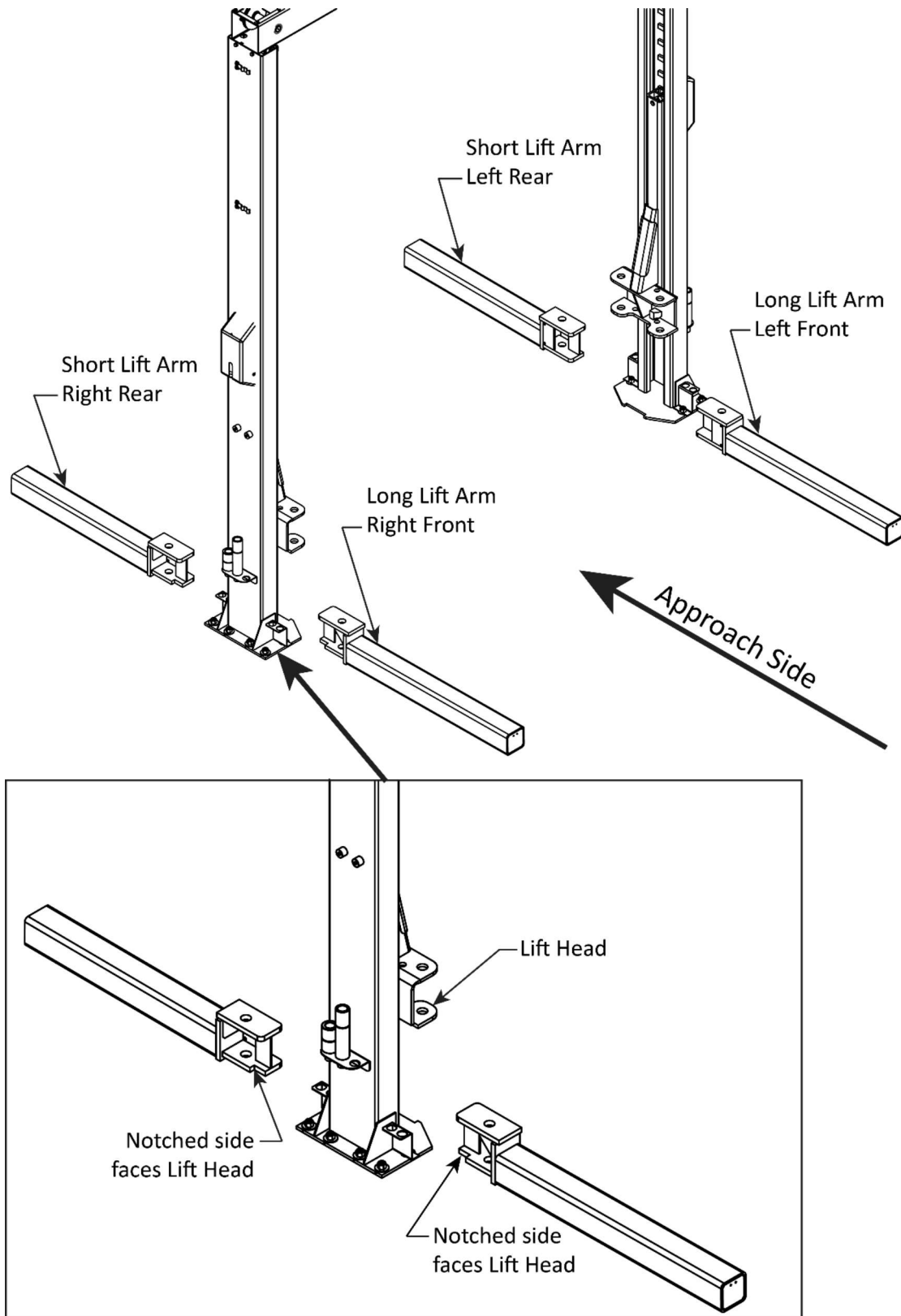


4. Remove the Spring Pin on the Internal Gear Stop Shaft Assembly. Use a punch with the same diameter as the Spring Pin and carefully advance the punch with a Hammer to remove.

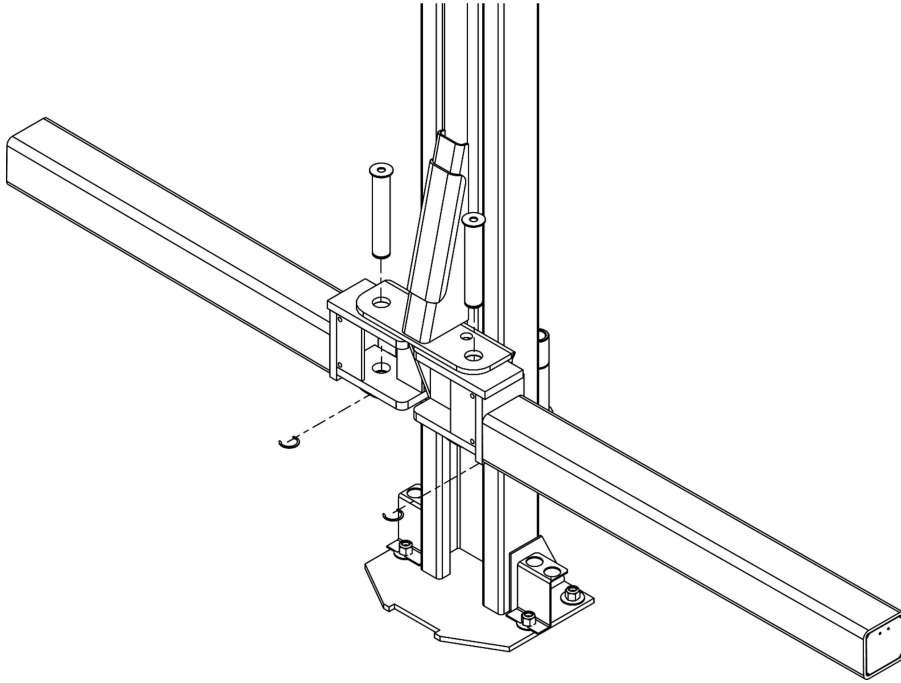


5. Remove the Snap Rings and then withdraw the Gear Shaft while holding the Lift Head Springs so they will not be lost.
6. Retain all of the parts you removed to use when your remove the Turf Kit.

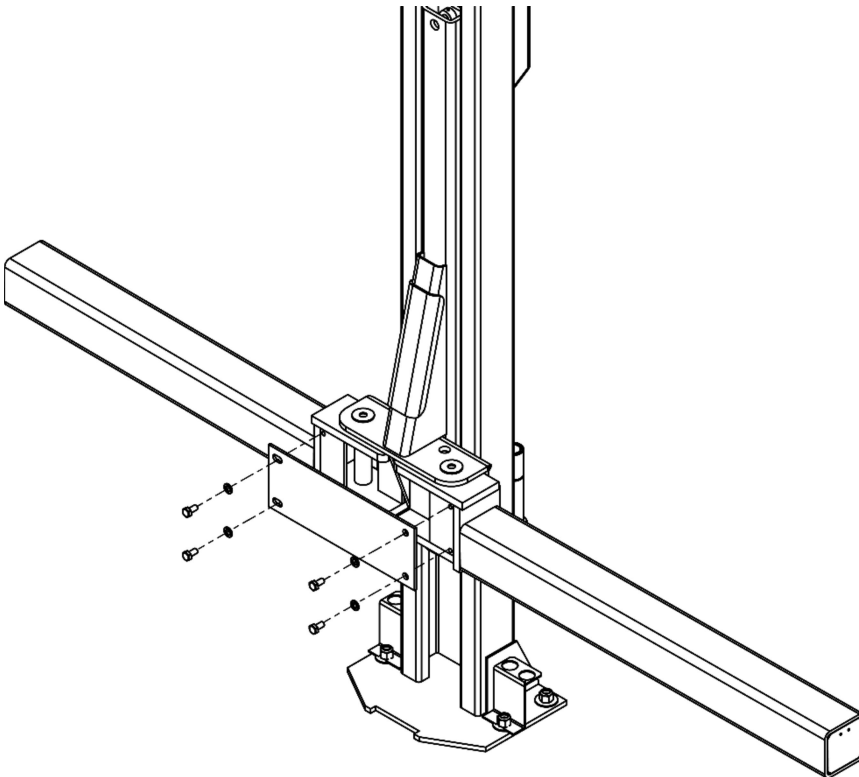
7. Move the Turf Kit's right and left Short Lift Arms (items 6 & 7) next to the right and left Lift Heads. Verify the Arms are oriented as shown in the figure below.
8. Move the Turf Kit's right and left Long Lift Arms (items 2 & 3) next to the right and left Lift Heads. Verify the Arms are oriented as shown in the detail below.



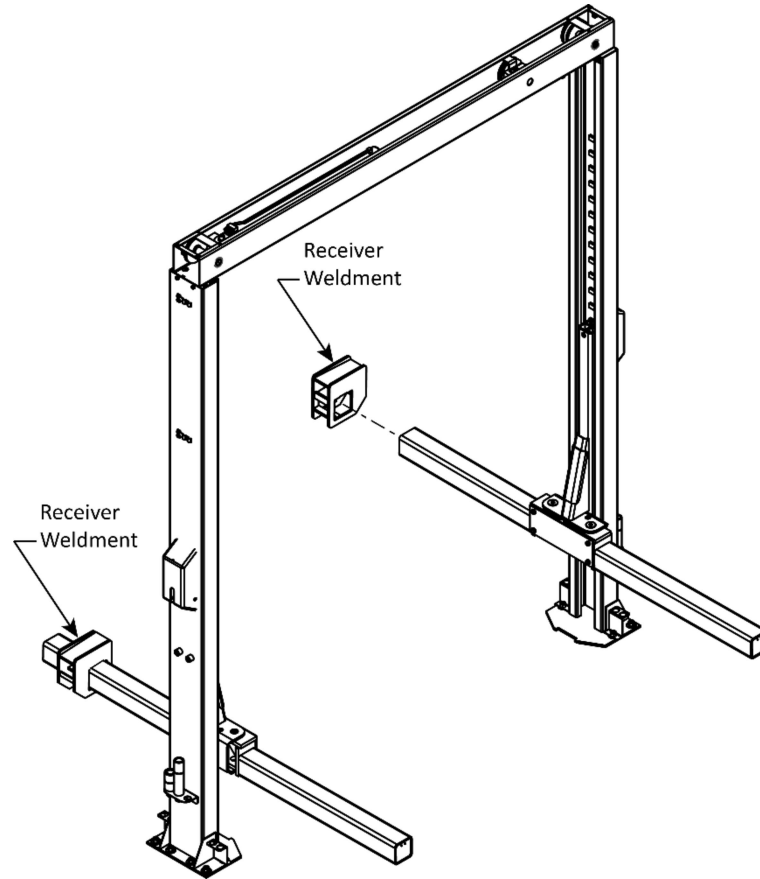
9. Have an assistant or use a Forklift to hold the Lift Arm in place against the Lift Head while you insert the Lift Head Pins in each Lift Head and Turf Kit Lift Arm. Secure with the C-Rings. Repeat for all four Lift Arms.



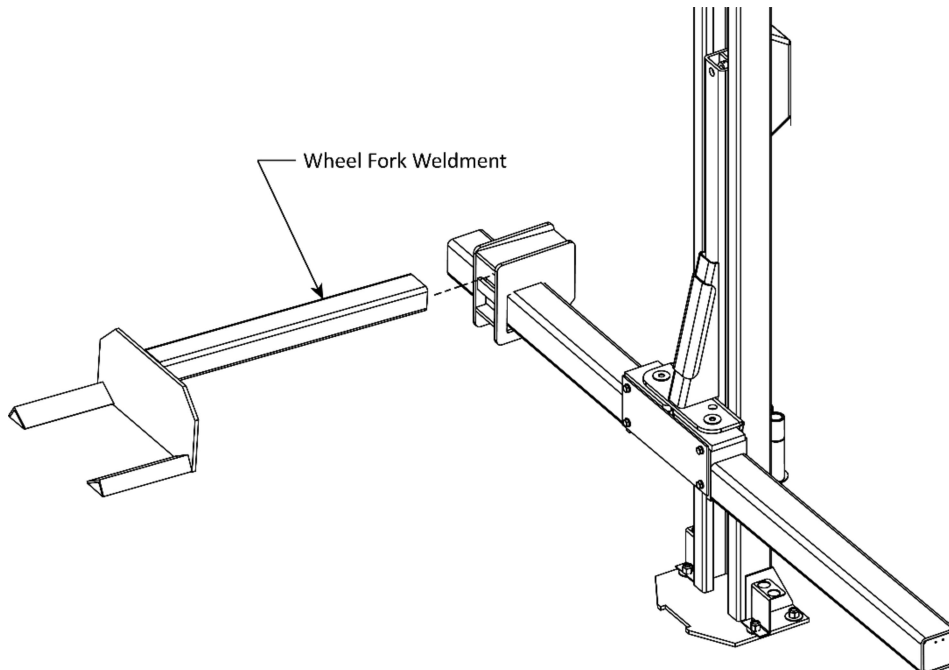
10. Install the Lift Head Closeout Gusset on both Lift Heads. Verify the each Gusset is oriented as shown below and secure each Gusset with four M12 x 25 Hex Head Bolt and M12 Washers (Parts Bag items 5 and 6).



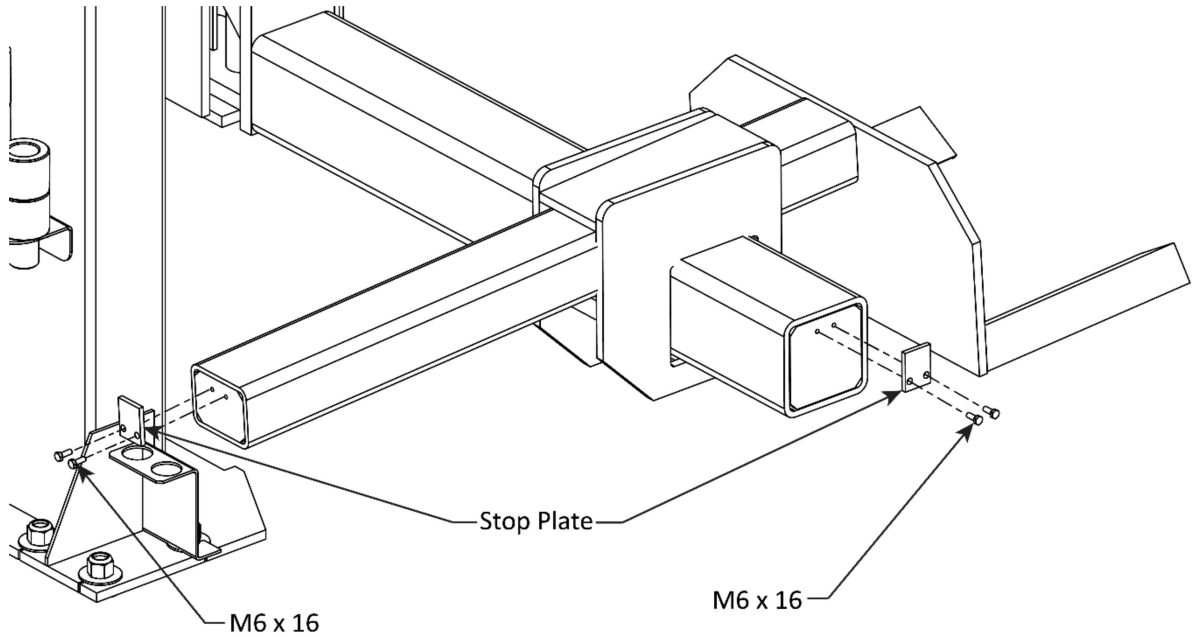
11. Place Receiver Weldment (item 8) on the left and right Short Lift Arms (items 6 & 7). Verify both Receivers are oriented as shown in figure below.



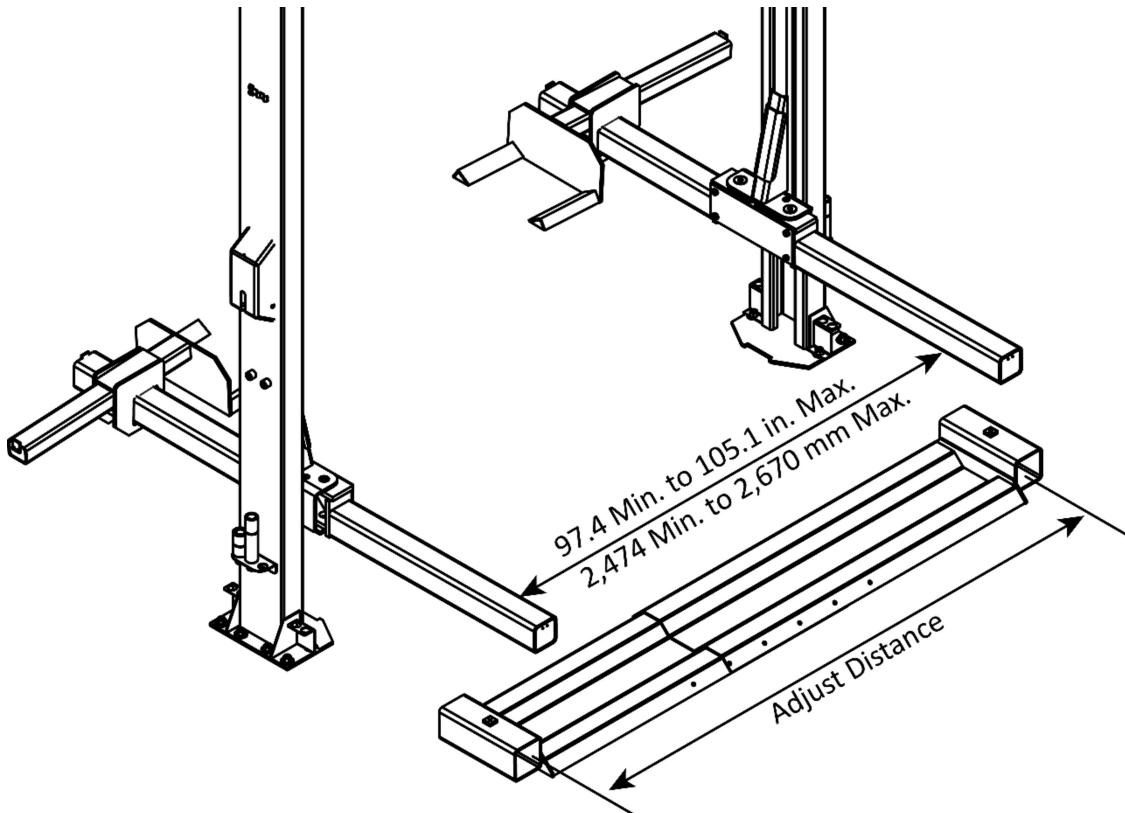
12. Slide the Wheel Fork Assembly (item 9) into the Receiver Weldment (item 8) on both left and right sides orient the part as shown below.



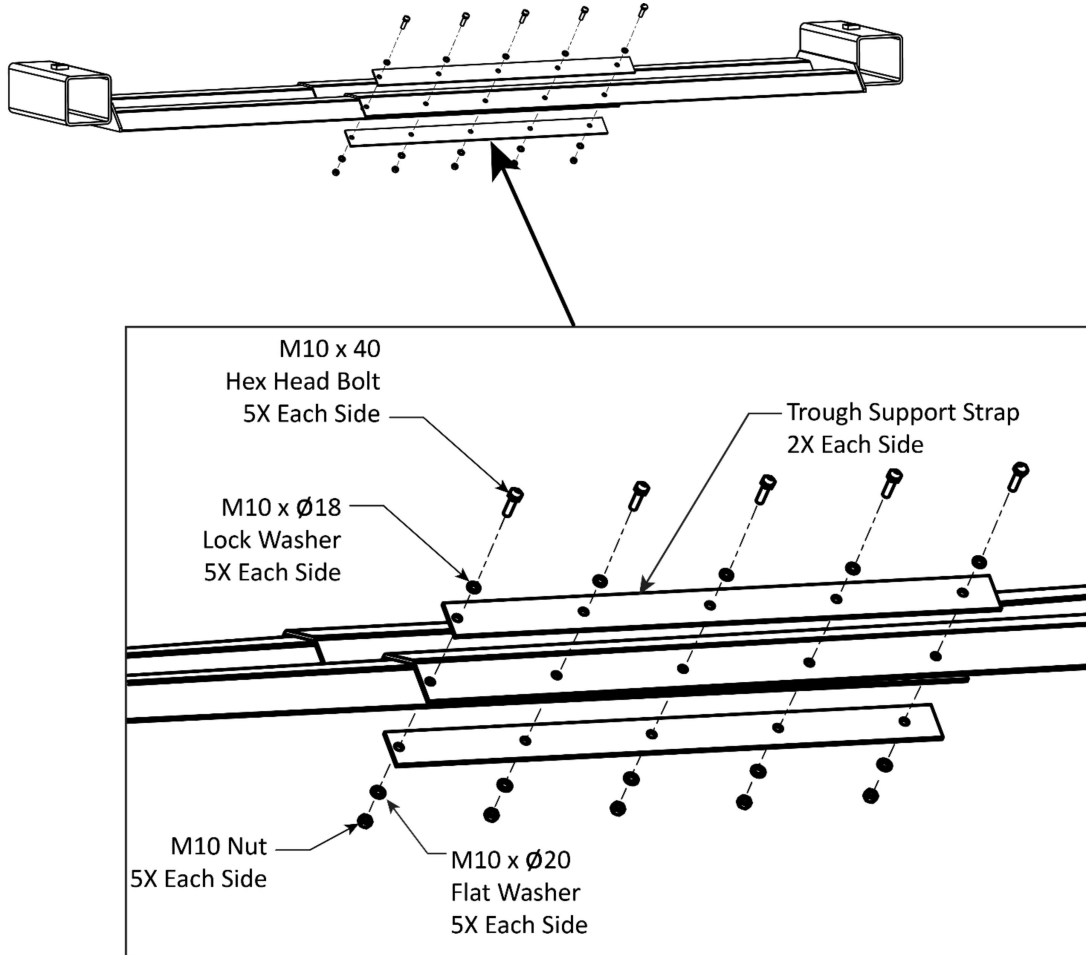
13. Install Stop Plates (Parts Bag item 2) on the left and right Short Lift Arms (items 6 and 7) and on both Wheel Forks using two M6 x 16mm Hex Head Bolts (Parts Bag item 4) on each stop plate, as shown in the figure below.



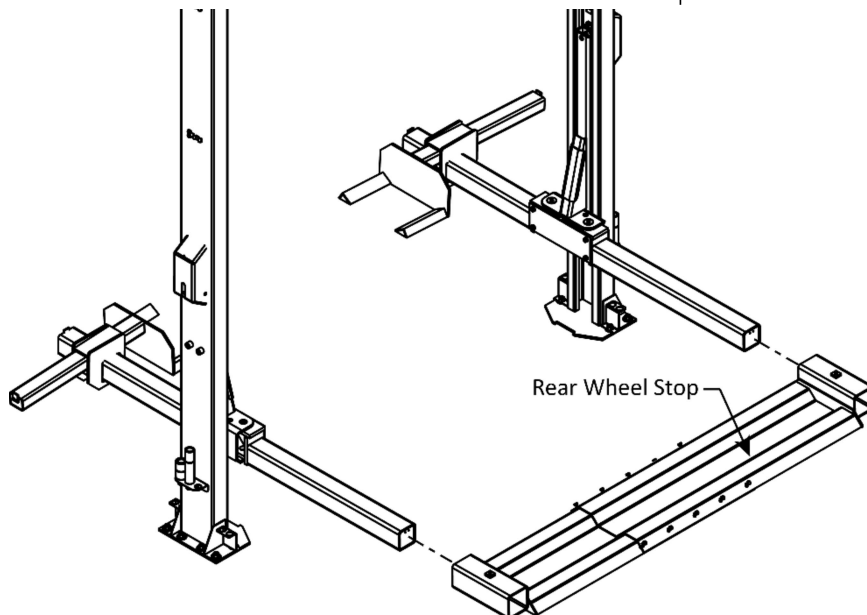
14. Measure the inside distance between the left and right arms. Lay the left and right sides of the Back Wheel Stop out in front of the Long Lift Arms as shown in the figure below and adjust the inside distance between the carriers to match the Lift Arms as shown below. **Steps 14 and 15 not required on the fixed width GP-7 Version (5174042).**



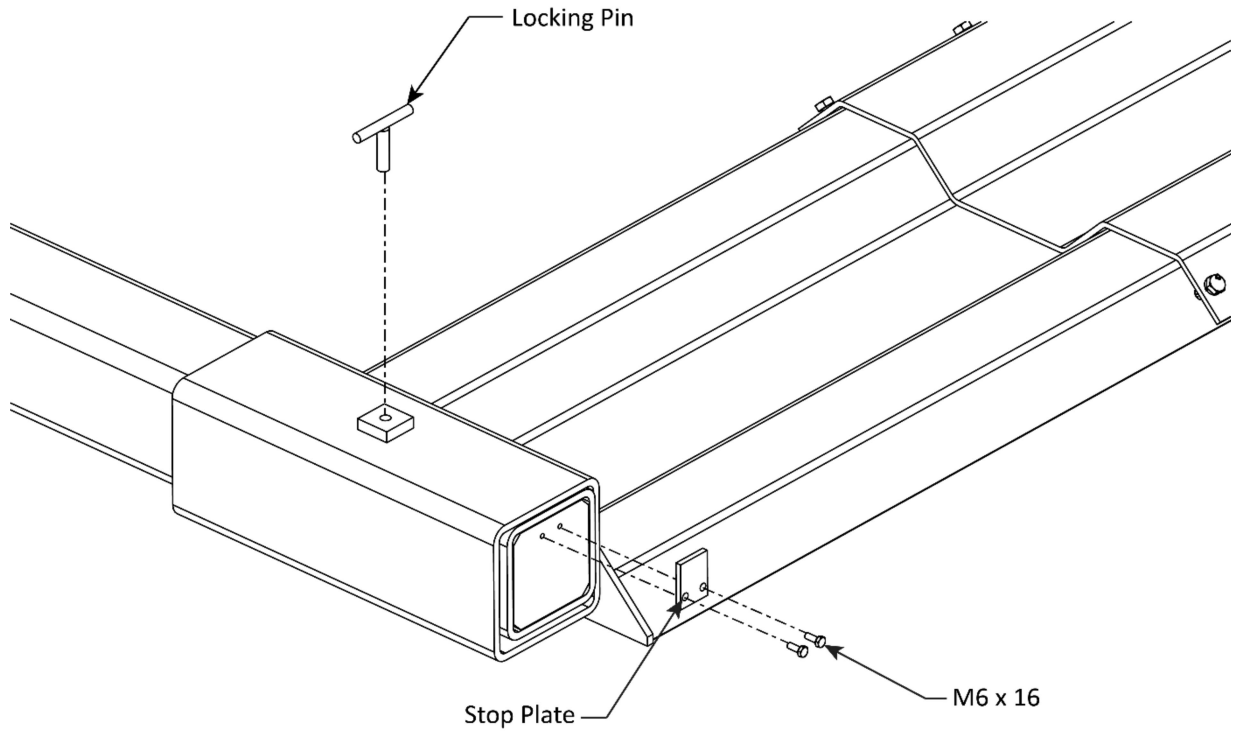
15. With the Rear Wheel Stop pieces set to the distance measured in the previous step, install the Trough Support Straps (item 11) on both the front and back of the Rear Wheel Stop set to the distance measured in the previous step.



16. Use a Forklift or an assistant to install the assembled Wheel Stop on the Lift Arms.










17. Install the Locking Pin Weldments and Stop Plates on both Front Lift Arms as detailed below.





Your Turf Kit is ready to use. If you run into issues with your Turf Kit that you cannot fix, visit [www.bendpak.com/support/](http://www.bendpak.com/support/), email [support@bendpak.com](mailto:support@bendpak.com), or call **(800) 253-2363**.

# Operation

-  **WARNING** **Always** read and understand all cautions and warnings as outlined in this guide and on the labels affixed to the Turf Kit and the Lift.
-  **WARNING** **Do not** use any part of the Lift or Turf Kit if any part is missing, damaged or not adjusted properly.
-  **WARNING** **Always** examine the Lift and Turf Kit for damaged and worn parts before each use.
-  **WARNING** If the Vehicle shows signs of falling, clear the area **immediately**.
-  **WARNING** Do **not** allow anyone in or on the Vehicle you are raising.
-  **WARNING** **Never** raise just one side of the Vehicle.
-  **WARNING** **Always** use Jack Stands for additional stability when you are doing work that will significantly affect the Vehicle's balance on the Lift and Turf Kit.

## To Raise a Vehicle on the Turf Kit:

1. Clear the area around the Lift.
  2. Retract both Wheel Fork Arms, allowing the widest possible drive-through clearance.
  3. Determine the Vehicle's center of gravity and position the Rear Wheel Stop accordingly so that the Wheel will be in the Wheel Stop and the Vehicle's center of gravity will be centered between the posts of the Lift.
  4. Secure the Locking Pins on the Rear Wheel Stop.
  5. Drive the Vehicle into place. Verify the Wheel is centered and secure in the Rear Wheel Stop.
-  **WARNING** When lifting a Vehicle with three wheels, the single Wheel **must** be positioned in the Wheel Rear Wheel Stop.
6. Place the Vehicle's transmission in park and turn off the motor.
  7. Push the left and right Wheel Forks into place around the Wheels making sure they are extended to the maximum reach to fully capture each Wheel.
-  **WARNING** Some Vehicles use oversized Wheels that will not fit in the Wheel Forks. Oversized Wheels must be positioned in the Rear Wheel Stop. Do **not** use the Wheel Forks.
8. **Prior to raising the Vehicle**, verify all the Wheels are secure and stable on the Turf Kit. Walk around the Lift and verify that there are no obstructions that will be hit by the Lift, the Turf Kit or the Vehicle. Remove obstructions as required to clear the equipment.
  9. Raise the Lift until the Vehicle's Wheels are approximately 6 inches (152 mm) off the ground.
  10. Gently rock the Vehicle to check its stability on the Lift.
  11. If the Vehicle is stable, raise the Lift to the desired height. If the Vehicle is **not** stable, lower the Lift back to the ground and make any necessary adjustments.

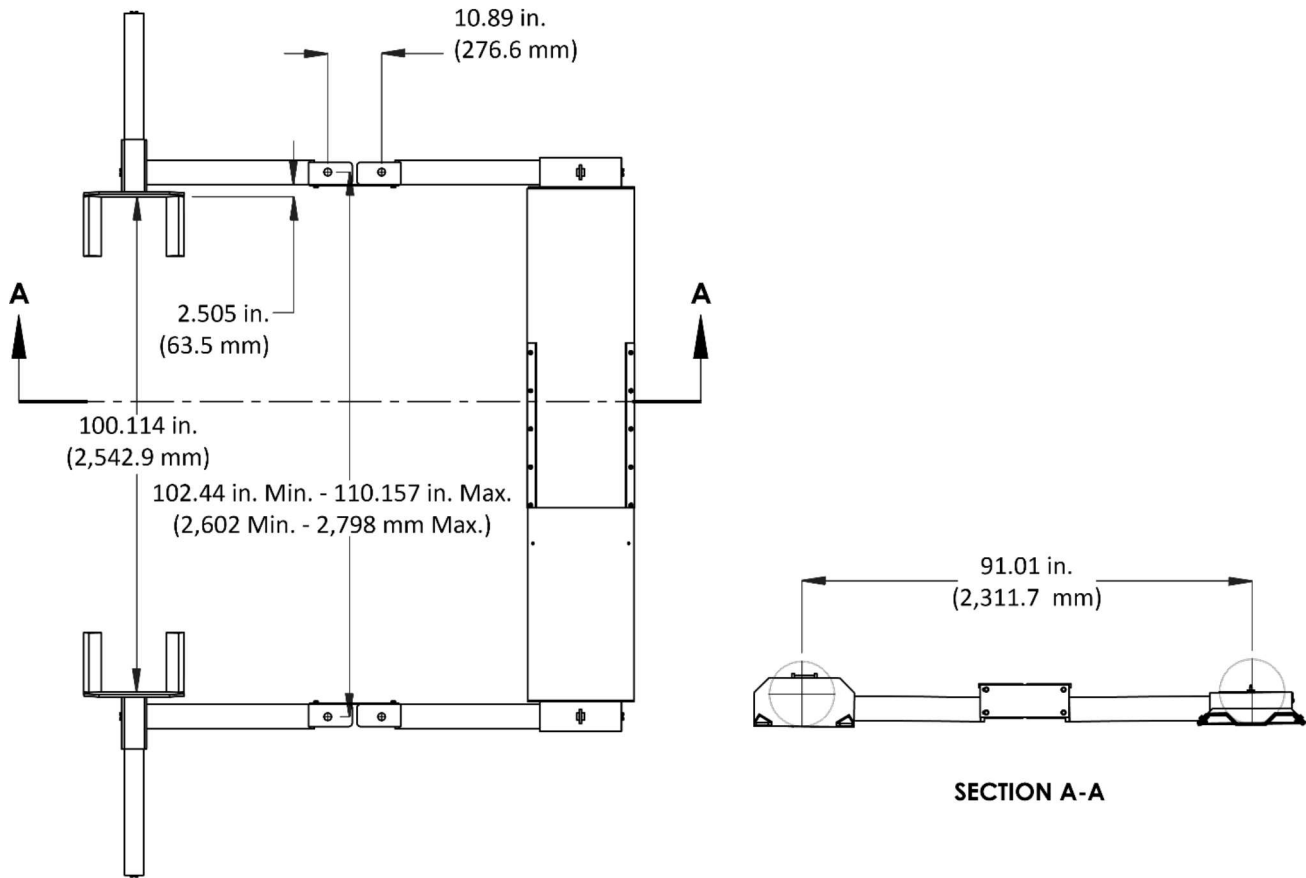
**To Lower a Vehicle on the Turf Kit:**

1. Clear the area around the Lift.
2. Verify all tools and personnel are cleared from under the Vehicle.
3. Press and hold the Raise button for a few seconds to lift the Vehicle off the Safety Locks.
4. Engage the Safety Lock Release handle then push and hold the lowering handle to lower the Lift.
5. When the Lift is on the ground, release both Handles, then move the Wheel Forks to their full drive-through positions.
6. Drive the Vehicle out of the Lift.

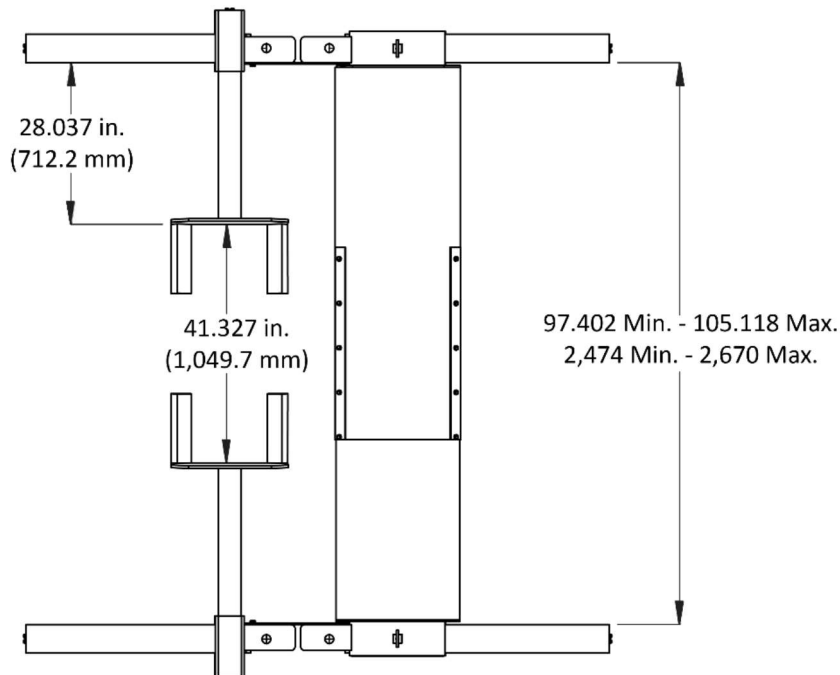
# Specifications

## Turf Kit Assembly with Adjustable Wheel Stop (5210262)

Outermost Dimesions

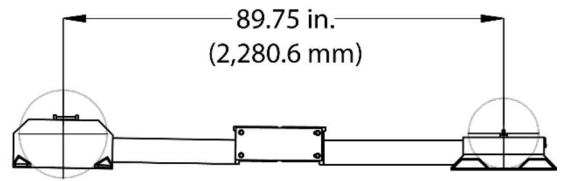
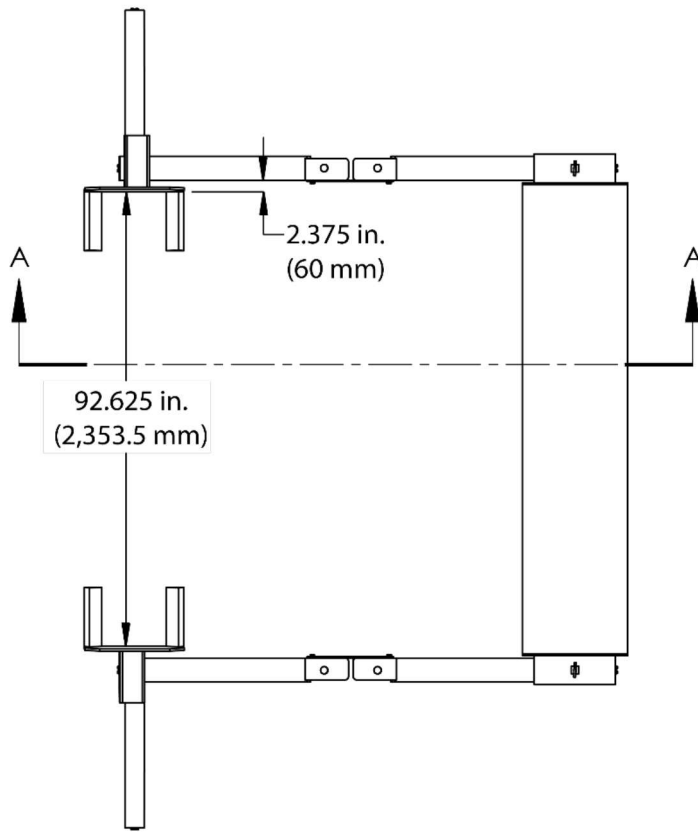


Innermost Dimesions



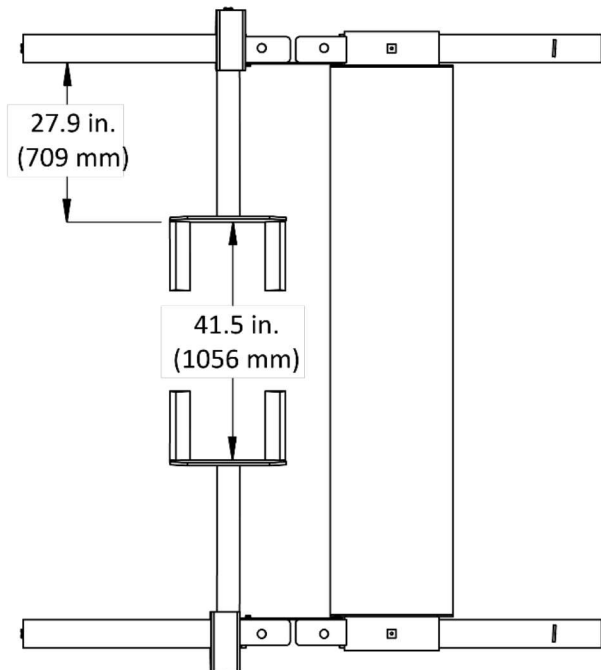
# Turf Kit Assembly with Fixed Rear Wheel Stop (5174042) (GP-7 Only)

Outermost Dimensions



SECTION A-A

Innermost Dimensions







1645 Lemonwood Dr.  
Santa Paula, CA 93060 USA