

MODEL : I-CNG

ENGLISH



OPERATIONAL SAFETY AND ASSEMBLY INSTRUCTIONS



MOTORIZED SYSTEM FOR BAKER TYPE SCAFFOLD

1 YEAR
WARRANTY

OSHA

MEETS STANDARD
1926.452(W)

CSA

MEETS STANDARD
S269.2-16

Picture may differ from actual product



**READ THESE INSTRUCTIONS CAREFULLY BEFORE USING THIS
PRODUCT. KEEP THIS MANUAL HANDY FOR FUTURE REFERENCE.**

Certification of Compliance

We hereby certify that the Climb-N-Go® (I-CNG) meets OSHA 1926.452(w) requirements for “Mobile Scaffolds”.

In Section 1926.452(w)(4)¹ : “Power systems used to propel mobile scaffolds must be designed for that purpose.” As the manufacturer of the Climb-N-Go®, we certify that this product was indeed designed for the above stated purpose. In fact, the Climb-N-Go® was designed and tested as an integral part of all Metaltech Baker Scaffoldings.

Furthermore, an OSHA maximum speed indication is specified on our multidirectional joystick. Moving a scaffolding at this speed level complies with the maximum speed of 1 foot per second required by OSHA in Section 1926.452(w)(6)(iv). The above-mentioned value has been validated through testing.

There is a more specific requirement in Cal/OSHA regulations Section 1646 (j)(5) that states that the use of power systems such as motor vehicles, add-on motors, or battery powered equipment to propel a rolling scaffold is prohibited.² It is our understanding the intent of the regulation is to prevent user-made propelling devices for scaffolding, improperly tested or ill-designed. However, the Climb-N-Go®, when installed with any Metaltech Baker Scaffoldings, constitutes a complete motorized unit. Following the above-mentioned, the Metaltech Climb-N-Go® Scaffolding System therefore does not fit the definition of this Cal/OSHA requirement.

¹ Occupational Safety and Health Administration [OSHA]. (February 18, 2020). 1926.452 - Additional requirements applicable to specific types of scaffolds, <https://www.osha.gov/laws-regs/regulations/standardnumber/1926/1926.452>

² Department of Industrial Relations [DIR]. (2017). California Code of Regulations, Title 8, Section 1646. Tower Scaffolds and Rolling Scaffolds, Wood or Metal. <https://www.dir.ca.gov/tile8/1646.html>

OPERATIONAL SAFETY



READ CAREFULLY BEFORE USING THIS PRODUCT.

FAILURE TO UNDERSTAND AND FOLLOW ALL SAFETY RULES AND ASSEMBLY INSTRUCTIONS COULD RESULT IN SERIOUS INJURY OR DEATH.



WARNINGS

- Do not use this equipment if you are in poor health, taking medication, drugs, or have been consuming alcohol, all of which may impair your ability to work safely with this product.
- Always use this product in conformity with local or national legislation which applies.
- Respect any applicable local or national legislation regarding the speed and height of use of the Climb-N-Go® with scaffolding.
- Read and understand this entire manual before using this product. If you have any questions, contact our customer service.
- Follow all safety instructions and warnings of the scaffolding that will be used with the Climb-N-Go®.
- Read and follow the manufacturer's operating and safety instructions of the battery used with the Climb-N-Go®.
- Never climb up into the scaffolding if the Climb-N-Go® wheels are not in active lock mode.
- Climb up or down the scaffolding from the opposite side where the Climb-N-Go® is installed to provide a counterweight whether using the ladder or the access hatch.
- Install the Climb-N-Go® on the opposite side of the platform access hatch if the scaffolding has one.
- Always use scaffolding with a guardrail when using the Climb-N-Go®.
- This product is designed to be used and stored indoors.
- The surface on which the scaffolding is moved must be less than 3 degrees in slope, without pits, debris, holes or obstacles.
- The Climb-N-Go® is designed for use with a single scaffold. Do not use this product to move stacked scaffolding units.
- Never pass through door openings or low clearance areas while driving a scaffolding equipped with the Climb-N-Go®. Always get down the scaffolding, set the Climb-N-Go® wheels to "Free-Mode", and push it into low clearance areas manually.
- Acids are corrosive and can seriously affect strength. Do not expose the Climb-N-Go® to corrosive substances.
- Metaltech declines all responsibility for damage to batteries caused by using this product, to the Climb-N-Go® or its components by improper use of the product.



ELECTRONIC SAFETY RULES

- Do not expose batteries, cables or other electronic components to outdoor weather or wet conditions.
- Do not use this product with defective or damaged batteries.
- Never use the cables for carrying, pulling, or unplugging the electrical device. Keep cables away from heat or sharp edges.
- Make sure that all cables are properly affixed to the scaffolding, so that they will not be rolled on, tripped over or subject to damage while in use.
- Always disconnect the battery from the Climb-N-Go® before making any adjustments or repairs.
- Do not use with a damaged cable or any other damaged electronic component.
- Replace immediately any damaged parts with official replacements parts from Metaltech. Do not use until the damaged parts have been replaced.
- Do not disassemble or modify the electronic components inside the Climb-N-Go® other than for replacing defective parts.
- The cables must be plugged into the connectors, respecting their orientation. Never modify a connector or apply excessive force when connecting.
- Metaltech declines all responsibility for damages caused to batteries with the use of this product.

SPECIFICATIONS

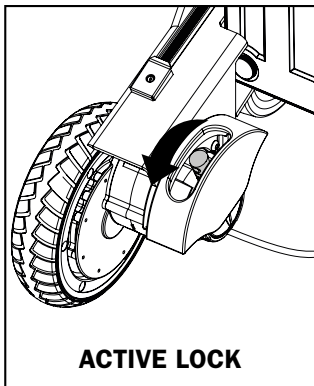
WEIGHT	55.1 LB (25 KG)
RANGE	4,500 FT (1,372 M) (tested with 20V 4.0Ah battery)
HAULING CAPACITY	500 LB (227 KG)
BATTERY VOLTAGE	18-21V (NOT INCLUDED)
CAN BE POWERED BY*	DEWALT®, MAKITA®, MILWAUKEE®, STANLEY® (18V), PORTER CABLE®, BLACK & DECKER®, BOSCH®, RIDGID® (RIDGID® ADAPTER NOT INCLUDED)†
COMPATIBLE INTERIOR SCAFFOLDING	METALTECH BAKER TYPE SCAFFOLDING*; I-CISC, I-CISCH1, I-CISCPT, I-CISCOPY, I-CISCMT, I-CAISC, I-CISCDW, I-BMSS AND I-CFISC (I-CNG917 ADAPTER FOR I-CFISC NOT INCLUDED)
COMPLIANCE	CSA S269.2-16 AND OSHA 1926.452(W)

*All trademarks listed above, including DeWalt, Makita, Milwaukee, Porter Cable, Black & Decker, Bosch, Stanley and Ridgid are the property of their respective owners. Neither Metaltech nor its products are in any way affiliated with, authorized with or have been tested, certified or approved by any of the companies or trademarks listed above, including for use with any of these companies' batteries.

*The Climb-N-Go® has been specifically designed for use with Metaltech Baker type scaffolds and not with other brands.

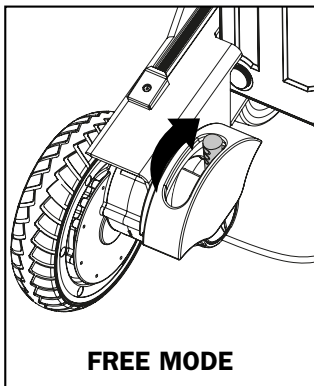
OPERATIONAL GUIDE

HOW TO USE THE DRIVE WHEELS



ACTIVE LOCK:

To use the features of the Climb-N-Go®, lock the drive wheels by positioning the locking levers of both wheels in “Active lock” mode, this allows the automatic locking system of the wheels to be activated when using the Climb-N-Go®.



FREE MODE:

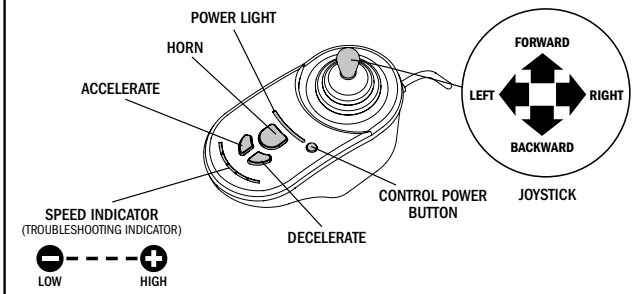
You can unlock the drive wheels of the Climb-N-Go® by positioning the locking levers on both wheels in “Free Mode”, to move the scaffolding in a conventional manner. Note: Never climb up into the scaffolding if the Climb-N-Go® wheels are in “Free Mode”, unless the scaffolding casters are locked.

OPERATIONAL GUIDE

HOW TO USE THE CLIMB-N-GO®

1. Install all components of the Climb-N-Go® on the scaffolding as described in the “Installation” section on the following pages.
2. Press the start button on the side of the case to turn on the Climb-N-Go®.
3. Place the drive wheels of the Climb-N-Go® in the “Active lock” position. Unlock those of the scaffolding if not already done.
4. Climb the scaffolding from the opposite side where the Climb-N-Go® is installed to provide a counterweight whether using the ladder or the scaffolding access hatch.
5. Verify if the guardrail access doors are locked once on the platform.

MULTIDIRECTIONAL JOYSTICK CONTROL

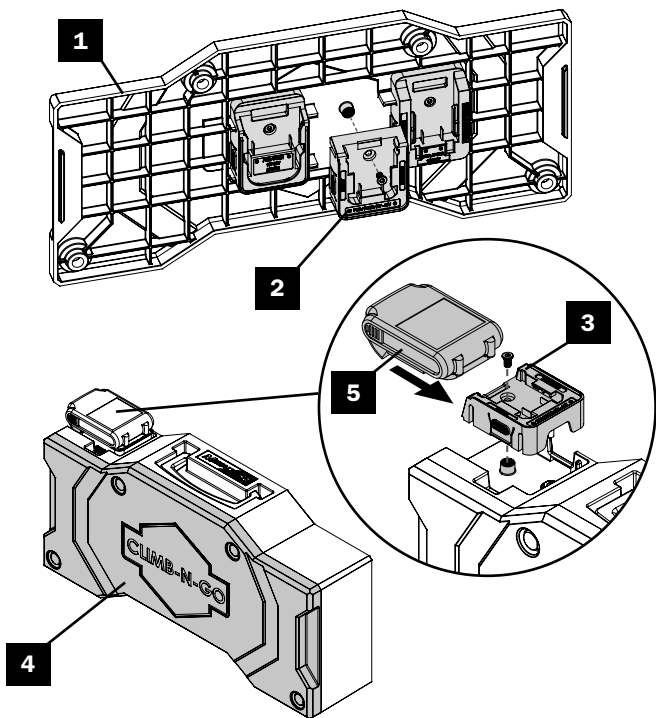


6. Press the control power button on the joystick to activate it.
7. Adjust the initial speed by pressing the speed acceleration or deceleration buttons on the joystick. NOTE: The speed will always be reset to lowest when starting Climb-N-Go®.
8. To move the Climb-N-Go®, push the joystick in the desired direction.
9. After using the device, press the control power button on the joystick to turn it off.
10. Climb down the scaffolding on the opposite side where the Climb-N-Go® is installed.
11. Take off the battery completely turn off the Climb-N-Go®.
ATTENTION: Failure to completely turn off the Climb-N-Go® could result in reduced battery charge if left in powered mode for an extended period of time.

INSTALLATION

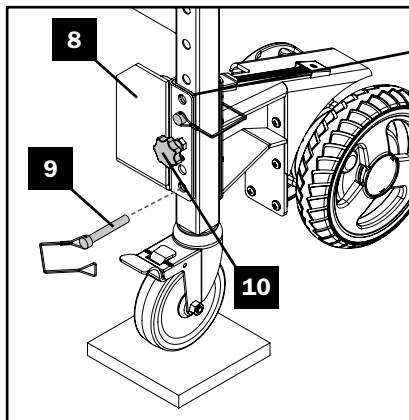
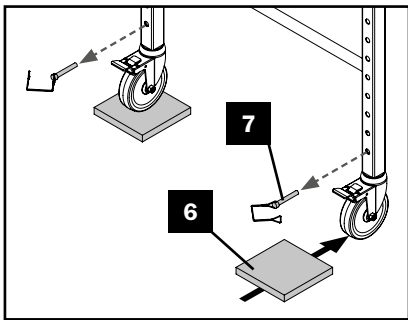
USE THE RECEIVER MATCHING YOUR BATTERY. IF THE BATTERY RECEIVER ALREADY INSTALLED DOES NOT FIT, FOLLOW THE STEPS BELOW.

1. Unscrew and open the front part of the Climb-N-Go® case.
2. Choose the battery receiver that matches the brand of battery you are going to use with the Climb-N-Go®. The three receivers are identified with the name of the battery brands.
3. Unscrew the receiver and install it on the top of the box. Fix the receiver into place using the same screw.
4. Close and screw the front part of the case.
5. Slide your battery into the receiver as indicated by the manufacturer.



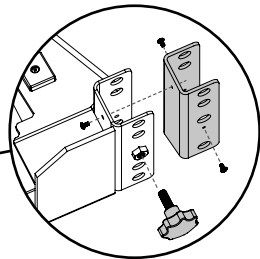
INSTALLATION

6. To install the Climb-N-Go® wheels more easily, slide a one-inch-thick (1 in.) piece of wood under the scaffolding casters.
7. Temporarily remove the locking-pins from the scaffolding casters.
8. Position the wheels of the Climb-N-Go® at the bottom of the scaffolding ladder. Secure them using the locking-pins provided.
9. Put back in place the locking-pins of the scaffolding casters.
10. Tighten the tightening knob firmly so that the scaffolding and the Climb-N-Go® wheels are perfectly lined up and in contact.



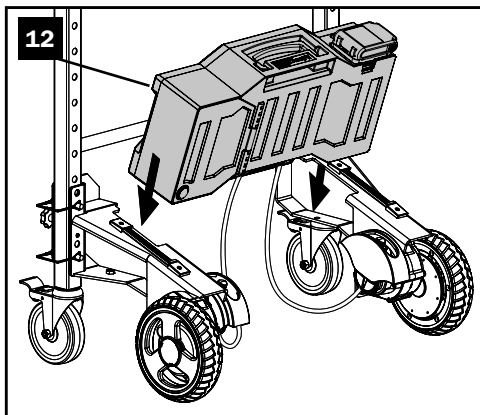
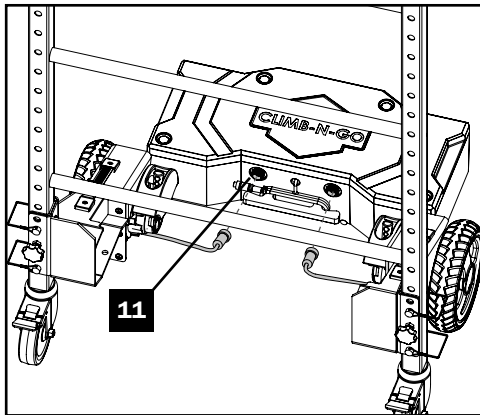
NOTE: To install the Climb-N-Go® on a BuildMan® (I-BMSS) scaffolding, first unscrew and remove the yellow adapter first.

To install the Climb-N-Go® on a Fiberglass Series™ scaffolding (I-CFISC), first unscrew and remove the yellow adapter first and replace it with the I-CNG917 adapter (not included).



INSTALLATION

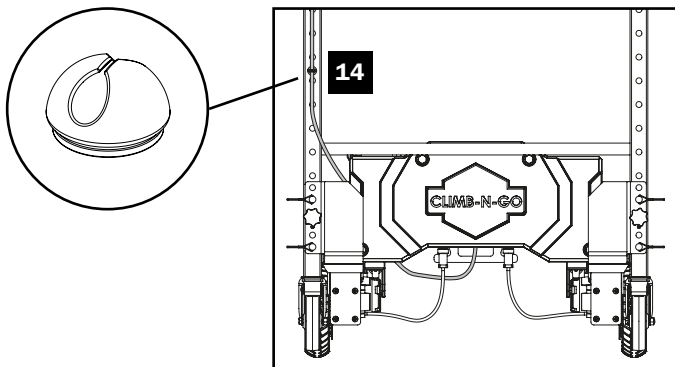
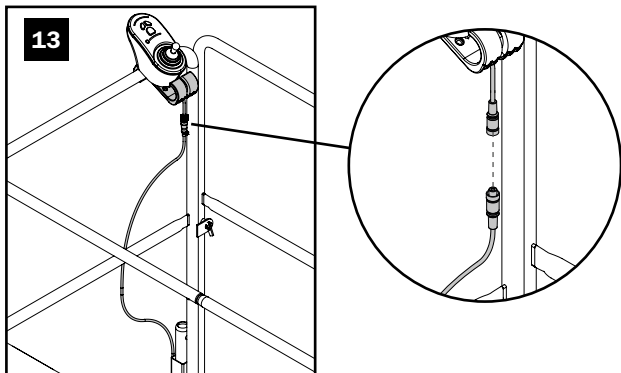
11. Connect the cables of the wheels to the box. NOTE: The cables are easier to connect if you lay the box on the ground near the wheels.
12. Slide the Climb-N-Go® case into the fitting on the wheels.



INSTALLATION

- Secure the multidirectional joystick control to the top of the guardrail or to a rung of the scaffolding. Connect its cable to the one from the box.
- Complete the installation of the multidirectional control by fixing its cable to the scaffolding using the magnetic clips.

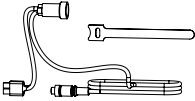

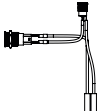
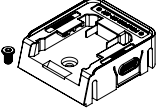
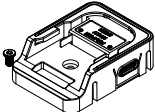
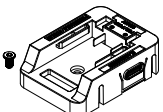
NOTE: To install the multidirectional control on the rungs of a BuildMan® scaffolding (I-BMSS), unscrew and reverse the S-bracket.

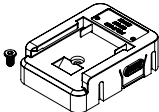
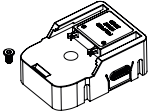



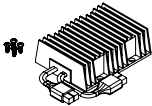
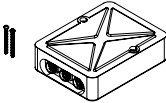
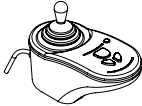




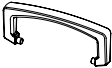
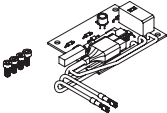
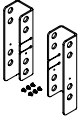
REPLACEMENT PARTS AND HARDWARE

All the parts provided by our factories are genuine quality replacement parts. Using the chart to find the required part and its number and contact our customer service for ordering.

CUSTOMER SERVICE
1 800 363-7587
customerservice@metaltech.co

	PART NAME	PART NUMBER
	Multidirectional joystick control cable and loop strap	I-CNG901
	Wheel and control box cable	I-CNG912
	Power switch and connector kit	I-CNG913
	Dewalt® and Milwaukee® battery receiver†	I-CNG904
	Makita® battery receiver†	I-CNG905
	Black & Decker®, Porter Cable® and Stanley® battery receiver†	I-CNG906

	PART NAME	PART NUMBER
	Bosch® battery receiver†	I-CNG914
	Ridgid® battery receiver†	I-CNG915
	Wheel protectors	I-CNG902
	Right motorized wheel	I-CNG907
	Left motorized wheel	I-CNG908
	Power converter	I-CNG909
	Electronic control box	I-CNG910
	Multidirectional joystick control	I-CNG100700

	PART NAME	PART NUMBER
	Multidirectional joystick control S-bracket	I-CNG903
	Magnetic clips	I-CNG911
	Box handle	I-CNG200300
	Battery charge monitoring PCB	I-CNG916
	Adapter for Fiberglass Series™ (I-CFISC)	I-CNG917

TROUBLESHOOTING GUIDE

The troubleshooting indicator of the multidirectional joystick control displays information codes to help you understand what is occurring with your Climb-N-Go®.

LIGHT CODE	MEANING	SOLUTION
Light blinks once	Anti-runaway function fault	Check the joystick to make sure that it returns to the center point position.
Light blinks twice	Hall Sensor fault (Left Motor)	Check the connection of the left motor cables. Make sure that the rods of the male connection are in good condition, that nothing is disconnected or loose, and that nothing is blocking the entry to the female connection.
Light blinks three times	Hall Sensor fault (Right Motor)	Check the connection of the right motor cables. Make sure that the rods of the male connection are in good condition, that nothing is disconnected or loose, and that nothing is blocking the entry to the female connection.
Light blinks four times	Under-voltage fault	Check the battery voltage.
Light blinks five times	Motor Phase fault (Left)	Check the connection of the left motor cables. Make sure that the rods of the male connection are in good condition, that nothing is disconnected or loose, and that nothing is blocking the entry to the female connection.
Light blinks six times	Motor Phase fault (Right)	Check the connection of the right motor cables. Make sure that the rods of the male connection are in good condition, that nothing is disconnected or loose, and that nothing is blocking the entry to the female connection.
Light blinks seven times	Electromagnetic clutch fault (Left)	Flip left wheel locking lever.
Light blinks eight times	Electromagnetic clutch fault (Right)	Flip right wheel locking lever.
Light blinks nine times	Other fault	Check the cable of the multidirectional joystick control, check whether the cable is damaged and whether it needs to be replaced.
Light blinks ten times	Communication fault	Check the data transmission between the multidirectional joystick control and the box.

CUSTOMER SERVICE: 1 800 363-7587

Our customer service staff is available to help you. For help with product assembly, to report damaged or missing parts, or for any other information about this product, please call our toll-free number.

KEEP THIS MANUAL IN THE BOX FOR FUTURE REFERENCE.

Keep this manual and the original sales invoice in a safe, dry place for future reference.

One Year Limited Warranty

Metaltech-Omega Inc. guarantees this product against any material defect. Please return this product, freight prepaid, to Metaltech-Omega Inc. At its own discretion, Metaltech-Omega Inc. will replace or repair this product and return it within a reasonable time. This warranty does not cover any damage(s) caused by any incorrect or inappropriate use, care or maintenance. Proof of purchase must accompany the return.



WWW.METALTECH.CO
1 800 363-7587
LAVAL, QUEBEC, CANADA H7L 3N6

CANADIAN PATENT: 3,179,633

Metaltech is a registered trademark of Metaltech-Omega inc.

MODÈLE : I-CNG

FRANÇAIS



CONSIGNES DE SÉCURITÉ ET INSTRUCTIONS DE MONTAGE



SYSTÈME DE MOTORISATION POUR ÉCHAFAUDAGE DE TYPE BAKER

1 AN
DE GARANTIE

OSHA
RENCONTRE LA NORME
1926.452(W)

CSA
RENCONTRE LA NORME
S269.2-16

L'image peut différer du produit réel



LIRE SOIGNEUSEMENT CES INSTRUCTIONS AVANT D'UTILISER CE PRODUIT. CONSERVER CE MANUEL À PORTÉE DE MAIN POUR RÉFÉRENCE ULTÉRIEURE.

Certificat de conformité

Nous certifions par la présente que le Climb-N-Go® (I-CNG) est conforme aux exigences OSHA 1926.452(w) relativement aux « échafaudages mobiles ».

Dans la section 1926.452(w)(4)¹ : « Les systèmes d'alimentation utilisés pour propulser les échafaudages mobiles doivent être conçus à cet effet ». En tant que fabricant du Climb-N-Go®, nous certifions que ce produit a bien été conçu pour l'usage indiqué ci-dessus. En effet, le Climb-N-Go® a été conçu et testé comme partie intégrante de tous les échafaudages Metaltech Baker.

En outre, une indication de la vitesse maximale OSHA est spécifiée sur notre manette multidirectionnelle. Le déplacement d'un échafaudage à ce niveau de vitesse est conforme à la vitesse maximale de 1 pied par seconde requise selon les exigences OSHA dans la section 1926.452(w)(6)(iv). La valeur mentionnée ci-dessus a été validée par des tests.

Il existe une exigence plus spécifique dans la section 1646 (j)(5) de la réglementation Cal/OSHA qui stipule que l'utilisation de systèmes d'alimentation tels que des véhicules à moteur, des moteurs additionnels ou des équipements alimentés par batterie pour propulser un échafaudage roulant est interdite². Nous comprenons que l'intention du règlement est d'empêcher les dispositifs de propulsion fabriqués par l'utilisateur pour les échafaudages, mal testés ou mal conçus. Cependant, le Climb-N-Go®, lorsqu'il est installé avec n'importe quel échafaudage Metaltech Baker, constitue une unité motorisée complète. Suite à ce qui précède, le système d'échafaudage Climb-N-Go® de Metaltech ne correspond donc pas à la définition de cette exigence de Cal/OSHA.

¹ Occupational Safety and Health Administration [OSHA]. (February 18, 2020). 1926.452 - Additional requirements applicable to specific types of scaffolds, <https://www.osha.gov/laws-regs/regulations/standardnumber/1926/1926.452>

² Department of Industrial Relations [DIR]. (2017). California Code of Regulations, Title 8, Section 1646. Tower Scaffolds and Rolling Scaffolds, Wood or Metal. <https://www.dir.ca.gov/title8/1646.html>

CONSIGNES DE SÉCURITÉ



LIRE SOIGNEUSEMENT AVANT D'UTILISER CE PRODUIT.

LA NON-COMPRÉHENSION ET LE NON-RESPECT DE TOUTES LES RÈGLES DE SÉCURITÉ ET DE TOUTES LES CONSIGNES D'ASSEMBLAGE PEUVENT ENTRAÎNER DES BLESSURES GRAVES OU MORTELLES.



CONSIGNES ET SÉCURITÉ

- Ne pas utiliser cet équipement si vous êtes en mauvaise santé, si vous prenez des médicaments, ou êtes sous l'emprise de la drogue ou de l'alcool, cela pourrait nuire à votre capacité à travailler en toute sécurité avec ce produit.
- Se conformer à la législation locale ou nationale qui s'applique pour l'utilisation de ce type de produit.
- Respecter la législation locale ou nationale qui s'applique concernant la vitesse et la hauteur d'utilisation du Climb-N-Go® avec un échafaudage.
- Lire et de comprendre l'intégralité de ce manuel avant d'utiliser ce produit. Si vous avez des questions, communiquer avec notre service à la clientèle.
- Suivre toutes les consignes de sécurité et les mises en garde de l'échafaudage qui sera utilisé avec le Climb-N-Go®.
- Lire et respecter les consignes d'utilisation et de sécurité du fabricant de la batterie utilisée avec le Climb-N-Go®.
- Ne jamais monter dans l'échafaudage si les roues du Climb-N-Go® ne sont pas en mode de verrouillage actif.
- Monter ou descendre de l'échafaudage par le côté opposé où le Climb-N-Go® est installé afin d'assurer un contrepoids, que ce soit en utilisant l'échelle ou la trappe d'accès.
- Installer le Climb-N-Go® du côté opposé à la trappe d'accès de la plateforme si l'échafaudage en possède une.
- Toujours utiliser l'échafaudage muni d'un garde-corps lorsque vous utilisez le Climb-N-Go®.
- Ce produit est conçu pour être utilisé et entreposé à l'intérieur.
- La surface sur laquelle l'échafaudage est déplacé doit avoir une pente inférieure à 3 degrés, sans creux, débris, trous ou obstacle.
- Le Climb-N-Go® est conçu pour une utilisation avec un seul échafaudage. Ne pas utiliser ce produit pour déplacer des unités d'échafaudage superposées.
- Ne jamais traverser des cadrages de porte ou des zones à faible dégagement lorsque vous conduisez un échafaudage équipé du Climb-N-Go®. Descendez toujours de l'échafaudage, réglez les roues du Climb-N-Go® sur "Mode libre" et poussez-le manuellement dans les zones à faible dégagement.
- Les acides sont corrosifs et peuvent affecter sérieusement la solidité. Ne pas exposer le Climb-N-Go® à des substances corrosives.
- Metaltech décline toute responsabilité pour les dommages causés aux batteries avec l'utilisation de ce produit, au Climb-N-Go® ou à ses composants par une utilisation inadéquante du produit.



RÈGLES DE SÉCURITÉ ÉLECTRONIQUE

- N'exposez pas les batteries, le câblage ou tout autre composant électronique aux intempéries ou à des conditions humides.
- Ne pas utiliser ce produit avec des batteries défectueuses ou endommagées.
- Ne jamais utiliser les câbles pour transporter, tirer ou débrancher l'appareil électrique. Tenir les câbles à l'écart de la chaleur ou de surfaces tranchantes.
- S'assurer que tous les câbles sont correctement fixés à l'échafaudage afin qu'ils ne puissent pas causer des chutes, être endommagés en roulant dessus ou pendant l'utilisation.
- Toujours débrancher la batterie du Climb-N-Go® avant d'effectuer des réglages ou réparations.
- Ne pas utiliser avec un câble ou un autre composant électronique endommagé.
- Remplacer immédiatement toute pièce endommagée par des pièces de rechange officielles de Metaltech. Ne pas utiliser tant que les pièces endommagées n'ont pas été remplacées.
- Ne pas démonter ou modifier les composants électroniques à l'intérieur du Climb-N-Go® sauf pour remplacer des pièces défectueuses.
- Les câbles doivent être branchés aux connecteurs en respectant l'orientation de ceux-ci. Ne jamais modifier un connecteur ou appliquer une force excessive lors du branchement.
- Metaltech décline toute responsabilité pour les dommages causés aux batteries avec l'utilisation de ce produit.

SPÉCIFICATIONS

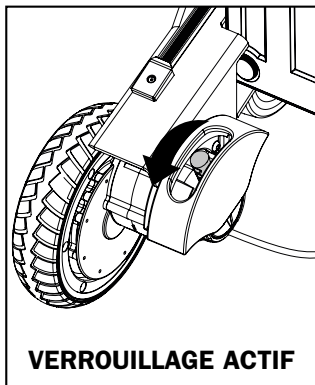
POIDS	55,1 LB (25 KG)
AUTONOMIE	4 500 PI (1372 M) (testé avec batterie 20V 4,0Ah)
CAPACITÉ DE TRACTAGE	500 LB (227 KG)
TENSION DE LA BATTERIE	18-21V (NON INCLUS)
PEUT ÊTRE ALIMENTÉ PAR[†]:	DEWALT®, MAKITA®, MILWAUKEE®, STANLEY®(18V), PORTER CABLE®, BLACK & DECKER®, BOSCH®, RIDGID® (ADAPTATEUR RIDGID® NON INCLUS) [†]
ÉCHAFAUDAGES INTÉRIEURS COMPATIBLES	ÉCHAFAUDAGES METALTECH DE TYPE BAKER* ; I-CISC, I-CISC1, I-CISCTP, I-CISCYP, I-CISCMT, I-CAISC, I-CISCDW, I-BMSS ET I-CFISC (ADAPTATEUR I-CNG917 POUR I-CFISC NON INCLUS)
CONFORMITÉ	CSA S269.2-16 ET OSHA 1926.452(W)

[†] Toutes les marques de commerce énumérées ci-dessus, y compris DeWalt, Makita, Milwaukee, Porter Cable, Black & Decker, Bosch, Stanley et Ridgid sont la propriété de leurs propriétaires respectifs. Ni Metaltech ni ses produits ne sont en aucune façon affiliés, autorisés ou n'ont été testés, certifiés ou approuvés par l'une des sociétés ou marques énumérées ci-dessus, y compris pour une utilisation avec les batteries de ces sociétés.

*Le Climb-N-Go® a été spécifiquement conçu pour être utilisé avec des échafaudages Metaltech de type Baker et pas avec d'autres marques.

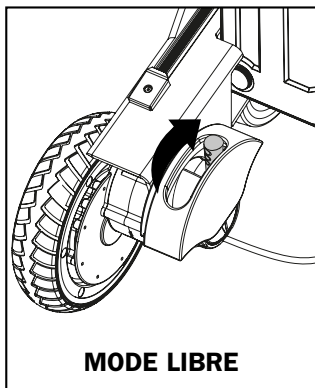
GUIDE D'UTILISATION

UTILISATION DES ROUES MOTRICES



VERROUILLAGE ACTIF :

Pour utiliser les fonctionnalités du Clim-N-Go®, verrouiller les roues motrices en positionnant les leviers de verrouillage des deux roues en mode « Verrouillage actif », ceci permet d'activer le système de verrouillage automatique des roues lors de l'utilisation du Clim-N-Go®.



MODE LIBRE :

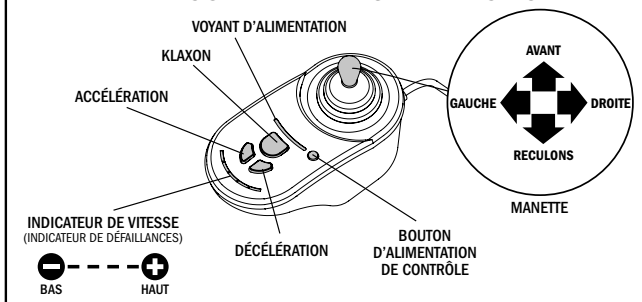
Vous pouvez déverrouiller les roues motrices du Clim-N-Go® en positionnant les leviers de verrouillage des deux roues en « Mode libre », afin de déplacer l'échafaudage de manière conventionnelle. Note: Ne jamais monter dans l'échafaudage si les roues du Clim-N-Go® sont en « Mode libre », à moins que les roues de l'échafaudage ne soient verrouillées.

GUIDE D'UTILISATION

COMMENT UTILISER LE CLIMB-N-GO®

1. Installer tous les composants du Climb-N-Go® sur l'échafaudage comme indiqué dans la section « Installation » dans les pages suivantes.
2. Appuyer sur le bouton d'alimentation (start) sur le côté du boîtier pour allumer le Climb-N-Go®.
3. Mettre les roues motrices du Climb-N-Go® en position « Verrouillage actif ». Déverrouiller celles de l'échafaudage si ce n'est déjà fait.
4. Monter dans l'échafaudage par le côté opposé où le Climb-N-Go® est installé afin d'assurer un contrepoids, que ce soit en utilisant l'échelle ou la trappe d'accès de l'échafaudage.
5. Une fois sur la plateforme, s'assurer que les portes d'accès du garde-corps sont verrouillées.

MANETTE DE COMMANDE MULTIDIRECTIONNELLE

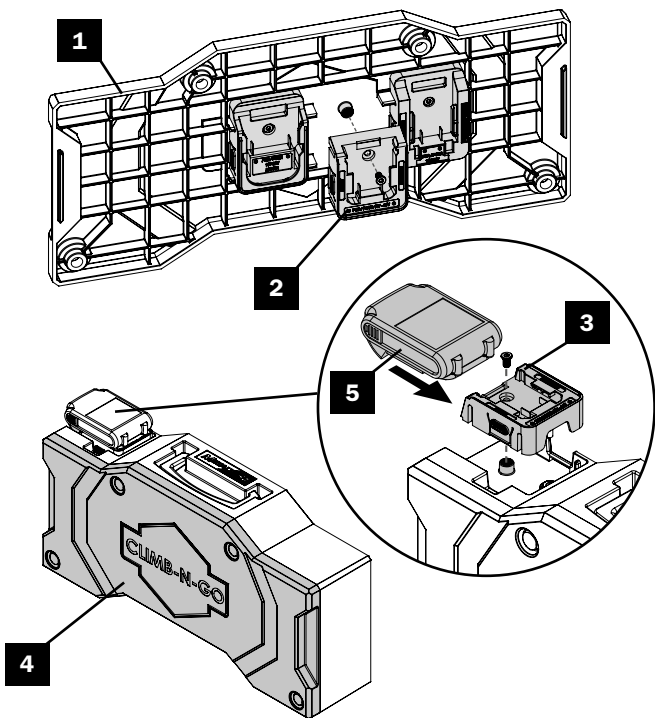


6. Appuyer sur le bouton d'alimentation de contrôle sur la manette pour l'activer.
7. Régler la vitesse initiale en appuyant sur les boutons accélération ou décélération de vitesse sur la manette. NOTE: La vitesse sera toujours réinitialisée au plus faible lors du démarrage du Climb-N-Go®.
8. Pour déplacer le Climb-N-Go®, pousser la manette dans la direction souhaitée.
9. Après utilisation de l'appareil, éteindre le Climb-N-Go® en appuyant sur le bouton d'alimentation de contrôle de la manette.
10. Descendre de l'échafaudage du côté opposé où le Climb-N-Go® est installé.
11. Enlever la batterie pour complètement éteindre le Climb-N-Go®.
ATTENTION : Ne pas complètement éteindre le Climb-N-Go® pourrait entraîner une réduction de la durée de charge de la batterie si laissée en mode alimenté pendant une période prolongée.

INSTALLATION

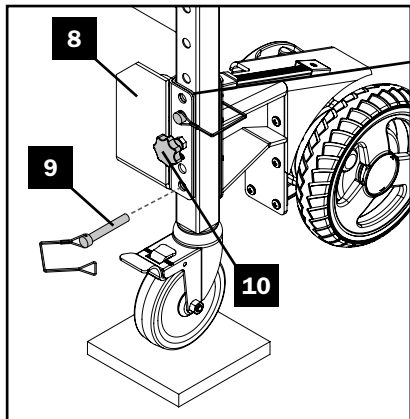
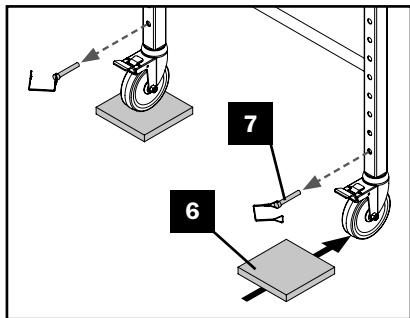
UTILISEZ LE RÉCEPTEUR CONCORDANT À VOTRE BATTERIE. SI LE RÉCEPTEUR DE BATTERIE DÉJÀ INSTALLÉ NE CONVIENT PAS, SUIVRE LES ÉTAPES CI-DESSOUS.

1. Dévisser et ouvrir la partie avant du boîtier du Climb-N-Go®.
2. Choisir le récepteur de batterie concordant à la marque de batterie que vous allez utiliser avec le Climb-N-Go®. Les trois récepteurs sont identifiés avec le nom des marques de batteries.
3. Dévisser le récepteur et l'installer sur le dessus du boîtier. Visser le récepteur en place à l'aide de la même vis.
4. Refermer et visser la partie avant du boîtier.
5. Glisser votre batterie dans le récepteur comme indiqué par le fabricant.



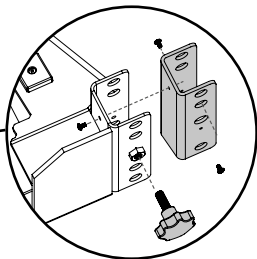
INSTALLATION

6. Pour installer les roues du Climb-N-Go® plus facilement, glisser un morceau de bois d'au moins un pouce (1 po) d'épaisseur sous les roues de l'échafaudage.
7. Retirer temporairement les tiges de verrouillage des roues de l'échafaudage.
8. Positionner les roues du Climb-N-Go® au bas de l'échelle de l'échafaudage. Les fixer à l'aide des tiges de verrouillage fournies.
9. Remettre en place les tiges de verrouillage des roues de l'échafaudage.
10. Serrer fermement les poignées de serrage afin que l'échafaudage et les roues du Climb-N-Go® soient parfaitement alignés et en contact.



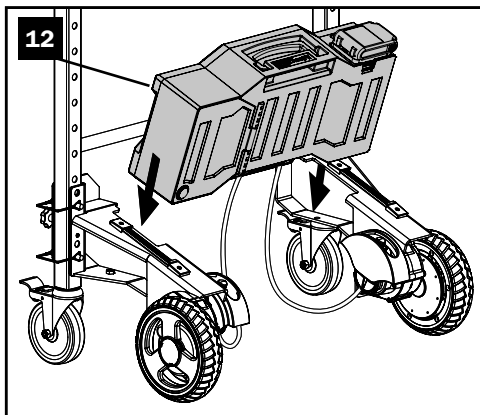
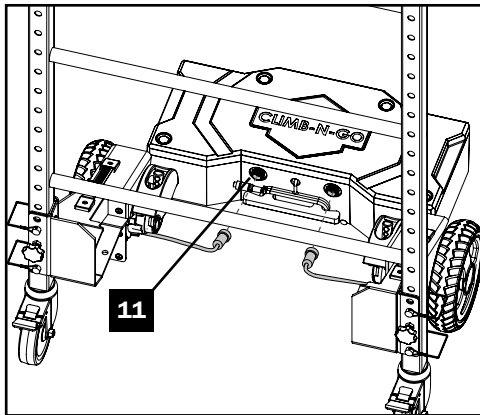
NOTE: Pour installer le Climb-N-Go® sur un échafaudage BuildMan® (I-BMSS), dévisser et retirer l'adaptateur jaune en premier.

Pour installer le Climb-N-Go® sur un échafaudage Fiberglass Series™ (I-CFISC), dévisser et retirer l'adaptateur jaune et le remplacer par l'adaptateur I-CNG917 (non inclus).



INSTALLATION

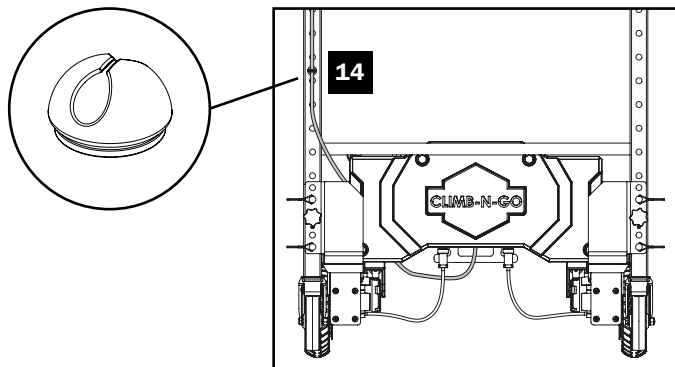
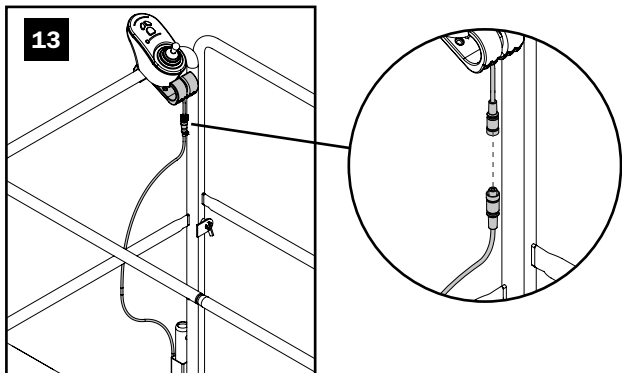
11. Connecter les câbles des roues au boîtier. NOTE: Le câblage est plus facile à connecter si vous couchez le boîtier sur le sol près des roues.
12. Glisser le boîtier du Climb-N-Go® dans les encaures prévues à cette fin sur les roues.



INSTALLATION

13. Fixer la manette de commande multidirectionnelle sur le haut du garde-corps ou sur un échelon de l'échafaudage. Connecter son câble à celui qui relie le boîtier.
14. Compléter l'installation de la manette de commande en fixant son câble sur l'échafaudage à l'aide des clips magnétiques.

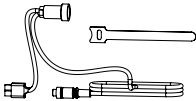

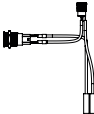
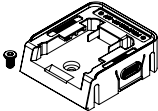
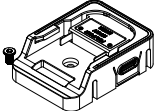
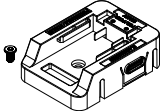
NOTE: Pour installer la manette de commande sur les échelons d'un échafaudage BuildMan® (I-BMSS), dévisser et inverser le support en S.

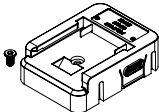
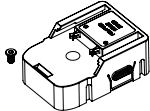



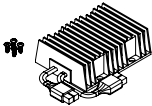
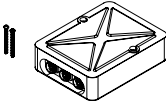
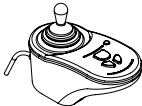




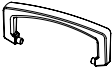
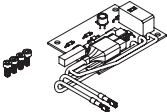
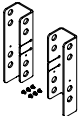
PIÈCES DE REMPLACEMENT ET QUINCAILLERIE

Toutes les pièces fournies par nos usines sont de la même qualité que les pièces d'origine neuves. Utilisez le tableau pour trouver la pièce requise et son numéro et contactez notre service client pour commander.

SERVICE À LA CLIENTÈLE
1 800 363-7587
serviceclient@metaltch.co

	NOM DE LA PIÈCE	NUMÉRO DE PIÈCE
	Câble et sangle de fixation pour manette de commande multidirectionnelle	I-CNG901
	Câble pour roue et boîte de contrôle	I-CNG912
	Ensemble d'interrupteur et de connecteur d'alimentation	I-CNG913
	Récepteur pour batterie Dewalt® et Milwaukee® †	I-CNG904
	Récepteur pour batterie Makita® †	I-CNG905
	Récepteur pour batterie Black & Decker®, Porter Cable® et Stanley® †	I-CNG906

	NOM DE LA PIÈCE	NUMÉRO DE PIÈCE
	Récepteur pour batterie Bosch® †	I-CNG914
	Récepteur pour batterie Ridgid® †	I-CNG915
	Protecteurs de roues	I-CNG902
	Roue motrice droite	I-CNG907
	Roue motrice gauche	I-CNG908
	Convertisseur d'alimentation	I-CNG909
	Boîtier de contrôle électronique	I-CNG910
	Manette de commande multidirectionnelle	I-CNG100700

	NOM DE LA PIÈCE	NUMÉRO DE PIÈCE
	Support en S pour Manette de commande multidirectionnelle	I-CNG903
	Clips magnétiques	I-CNG911
	Poigné du boîtier	I-CNG200300
	Circuit de surveillance de charge de batterie	I-CNG916
	Adaptateur pour Fiberglass Series™ (I-CFISC)	I-CNG917

GUIDE DE DÉFAILLANCES

L'indicateur de défaillances de la manette de commande multidirectionnelle affiche des codes d'information pour vous aider à comprendre ce qui se passe avec votre Climb-N-Go®.

CODE LUMINEUX	SIGNIFICATION	SOLUTION
Le voyant clignote une fois	Défaut de la fonction anti-emballement	Vérifier la manette pour s'assurer qu'elle revient à la position du point central.
Le voyant clignote deux fois	Défaut du capteur à effet Hall (moteur gauche)	Vérifier la connexion des câbles du moteur gauche. S'assurer que les tiges de la connexion mâle soient en bon état, que rien ne soit débranché ou desserré, et que rien ne bouche l'entrée de la connexion femelle.
Le voyant clignote trois fois	Défaut du capteur à effet Hall (moteur droit)	Vérifier la connexion des câbles du moteur droit. S'assurer que les tiges de la connexion mâle soient en bon état, que rien ne soit débranché ou desserré, et que rien ne bouche l'entrée de la connexion femelle.
Le voyant clignote quatre fois	Défaut de sous-tension	Vérifier la tension de la batterie.
Le voyant clignote cinq fois	Défaut de phase moteur (gauche)	Vérifier la connexion des câbles du moteur gauche. S'assurer que les tiges de la connexion mâle soient en bon état, que rien ne soit débranché ou desserré, et que rien ne bouche l'entrée de la connexion femelle.
Le voyant clignote six fois	Défaut phase moteur (Droite)	Vérifier la connexion des câbles du moteur droit. S'assurer que les tiges de la connexion mâle soient en bon état, que rien ne soit débranché ou desserré, et que rien ne bouche l'entrée de la connexion femelle.
Le voyant clignote sept fois	Défaut embrayage électromagnétique (Gauche)	Basculer le levier de verrouillage de la roue gauche.
Le voyant clignote huit fois	Défaut embrayage électromagnétique (Droite)	Basculer le levier de verrouillage de la roue droite
Le voyant clignote neuf fois	Autre défaut	Vérifier le câble de la manette de commande multidirectionnelle, vérifier si le câble est endommagé et s'il doit être remplacé.
Le voyant clignote dix fois	Défaut de communication	Vérifier la transmission des données entre la manette de commande multidirectionnelle et le boîtier.

SERVICE À LA CLIENTÈLE : 1 800 363-7587

Notre personnel du service à la clientèle est disponible pour vous assister. Que ce soit pour vous aider à assembler ce produit, pour signaler une pièce manquante ou endommagée, ou pour toute autre information à propos de ce produit, veuillez composer notre numéro sans frais.

CONSERVER CE MANUEL DANS LE BOÎTIER POUR RÉFÉRENCE ULTÉRIEURE.

Garder ce manuel et la facture d'achat originale dans un endroit sec et sûr pour référence ultérieure.

Garantie limitée de 1 an

Metaltech-Omega inc. garantit ce produit contre toute défectuosité matérielle ou de fabrication. Retourner ce produit à Metaltech-Omega inc. port payé. Metaltech-Omega inc. s'engage à réparer ou à remplacer, à sa discrétion, ce produit gratuitement et vous le retourner dans un délai raisonnable. Cette garantie ne couvre pas les dommages causés par un entretien incorrect ou inadéquat ou un usage abusif. Une preuve d'achat doit accompagner le retour.



WWW.METALTECH.CO
1 800 363-7587
LAVAL, QUEBEC, CANADA H7L 3N6

BREVET CANADIEN: 3,179,633

Metaltech est une marque déposée de Metaltech-Omega inc.