

Operating Instructions & Parts Manual

OMEGA PRO

Tool Cart

Model Number
97431

Capacity per pair
350 lbs



This is the safety alert symbol. It is used to alert you to potential personal injury hazards. Obey all safety messages that follow this symbol to avoid possible injury or death.

SFA Companies
<http://www.omegalift.com>

Read this manual and follow all the Safety Rules and Operating Instructions before using this product.

GENERAL INFORMATION

Save these instructions. For your safety, read, understand, and follow the information provided with and on this device before using. The owner and/or operator shall have an understanding of the device, its operating characteristics and safety operating instructions before operating the equipment.

PRODUCT DESCRIPTION

350 lb Tool Cart used for stroing and transporting hand tools or the like. The top side work surface slides horizontally to open the storage compartment directly below. This storage compartment coupled with the additional 2 tool drawers gives the user plenty of tool storage with ease of mobility.

PREPARATION

Reference Assembly Instructions on page 3.

OPERATION

1. Sliding top must be open in order to open the tool drawers. Close sliding top to lock too drawers.
2. Only one drawer can be pulled out at a time.
3. Load capacity: 350 lb (158 kg)

NEVER EXCEED THE LOAD CAPACITY. THE RESULT COULD CAUSE DAMAGE TO THE UNIT AND/OR SERIOUS INJURY

SPECIFICATIONS

Model	Capacity
97431	350 lb

WARNING

- *Study, understand, and follow all instructions before operating this device.*
- *Do not exceed rated capacity.*
- *Use only on hard, level surface.*
- *No alterations shall be made to this product.*
- *Failure to heed these markings may result in personal injury and/or property damage.*

ASSEMBLY INSTRUCTIONS

1. With the tool storage box upside down, attach legs at the four corners with the supplied hardware.
2. With the system still upside down, attach base to the opposite side of the four legs with the supplied hardware.
3. Rotate the assembly on to one side making the legs point parrallel to the ground.
4. Attach casters to the bottom of the frame with the supplied hardware.
5. Rotate the assembly upright.
6. Ensure that all fasteners are tight.

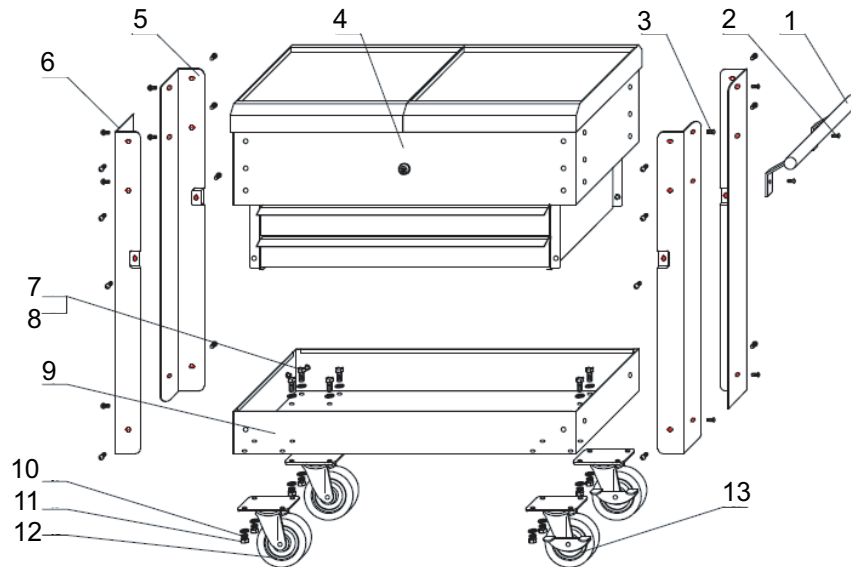


Figure 1 - Assembly Parts Breakdown

Number	Description	Qty.
1	Handle	1
2	Screw M6 X 16	2
3	Screw M6 X 12	26
4	Top Tray	1
5	Leg	2
6	Leg	2
7	Bolt M8 X 16	16
8	Washer 8	32
9	Bottom Tray	1
10	Washer 8	16
11	Nut 8	16
12	Rigid Casters	2
13	Rigid Casters	2

ONE YEAR LIMITED WARRANTY

For a period of one (1) year from date of purchase, **SFA Companies** will repair or replace, at its option, without charge, any of its products which fails due to a defect in material or workmanship under normal usage. This limited warranty is a consumer's exclusive remedy.

Performance of any obligation under this warranty may be obtained by returning the warranted product, freight prepaid, to **SFA Companies** Warranty Service Department, 10939 N. Pomona Ave., Kansas City, MO 64153.

Except where such limitations and exclusions are specifically prohibited by applicable law, (1) THE CONSUMER'S SOLE AND EXCLUSIVE REMEDY SHALL BE THE REPAIR OR REPLACEMENT OF DEFECTIVE PRODUCTS AS DESCRIBED ABOVE. (2) **SFA Companies** SHALL NOT BE LIABLE FOR ANY CONSEQUENTIAL OR INCIDENTAL DAMAGE OR LOSS WHATSOEVER. (3) ANY IMPLIED WARRANTIES, INCLUDING WITHOUT LIMITATION THE IMPLIED WARRANTIES OF MERCHANTABILITY AND FITNESS FOR A PARTICULAR PURPOSE, SHALL BE LIMITED TO ONE YEAR, OTHERWISE THE REPAIR, REPLACEMENT OR REFUND AS PROVIDED UNDER THIS EXPRESS LIMITED WARRANTY IS THE EXCLUSIVE REMEDY OF THE CONSUMER, AND IS PROVIDED IN LIEU OF ALL OTHER WARRANTIES, EXPRESS OR IMPLIED. (4) ANY MODIFICATION, ALTERATION, ABUSE, UNAUTHORIZED SERVICE OR ORNAMENTAL DESIGN VOIDS THIS WARRANTY AND IS NOT COVERED BY THIS WARRANTY.

Some states do not allow limitations on how long an implied warranty lasts, so the above limitation may not apply to you. Some states do not allow the exclusion or limitation of incidental or consequential damages, so the above limitation or exclusion may not apply to you. This warranty gives you specific legal rights, and you may also have other rights, which vary from state to state.



SFA Companies ©2015
10939 N. Pomona Ave. Kansas City, MO 64153
888-332-6419
sales@omegalift.com