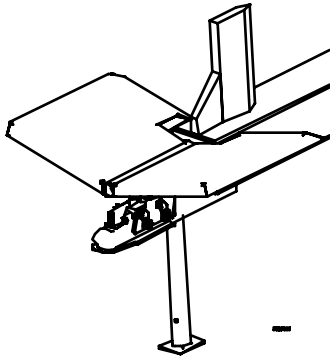




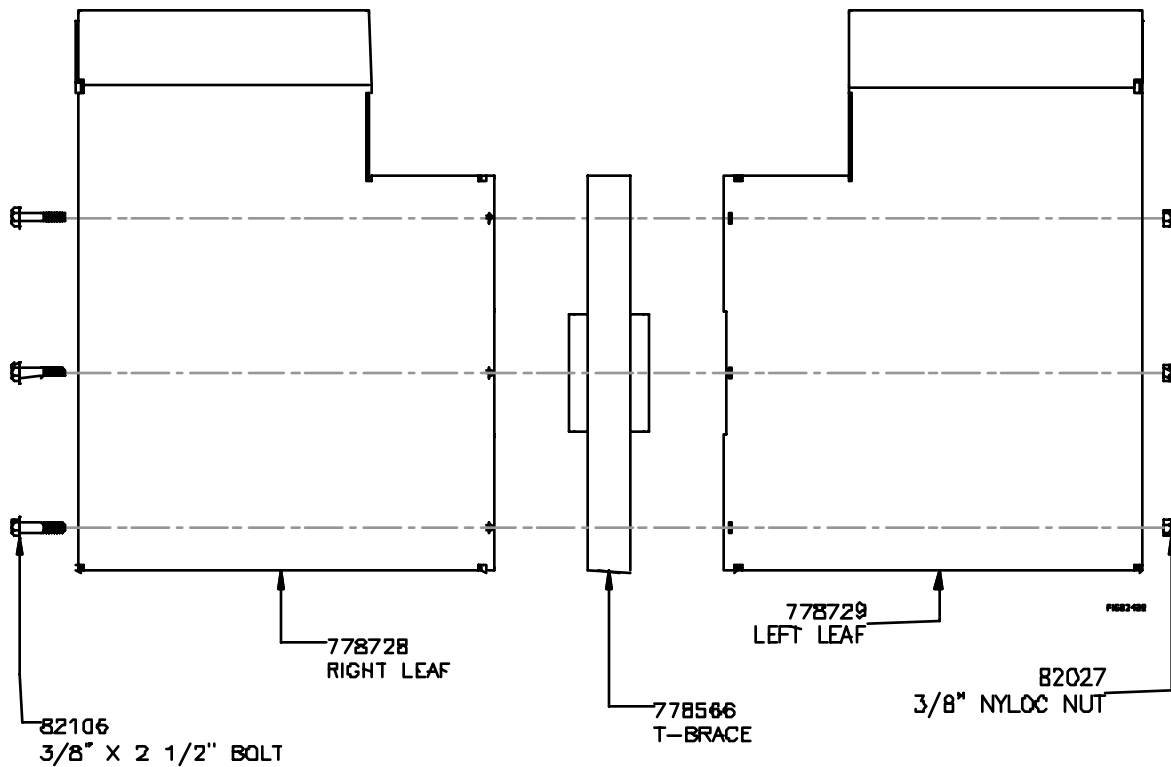
M1145A

Horizontal Log Splitter Log Table

Log Table Assembly

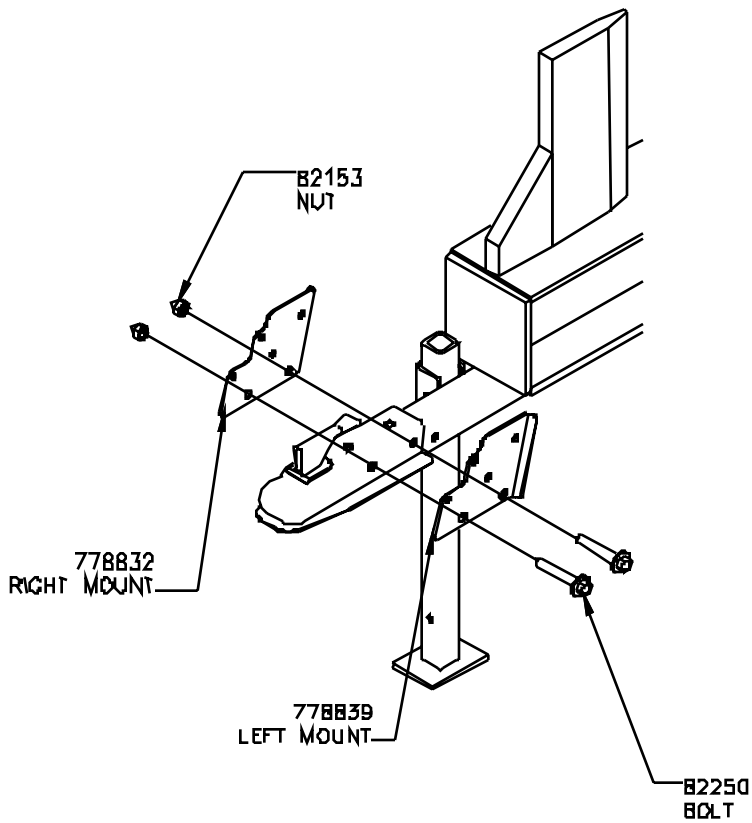


1. Unbox and identify all parts.
2. Connect the left and right leaves of the table to the T-brace using the supplied nuts and bolts, as shown below and set-aside.

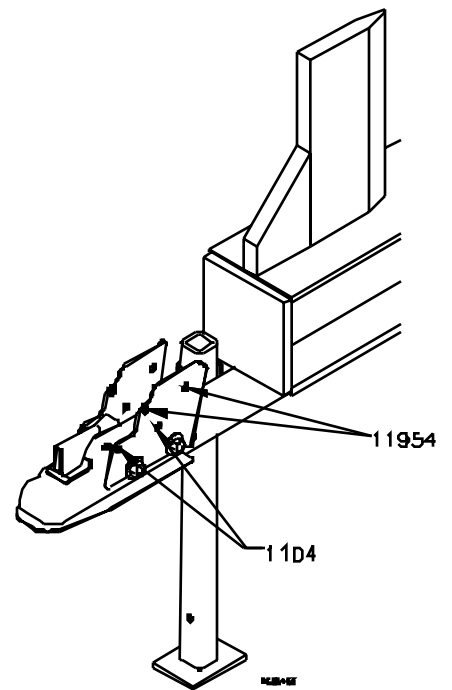


3. Remove the bolts that connect the coupler to your splitter. Leave the coupler in place.
4. Bolt the coupler mounts to the splitter using the bolts supplied with the kit (1/2-13 x 4" HHCS) TO 90 FT-LBS, as shown below.
Note orientation of the mount plates

Exploded View



Assembled View



5. Connect the table assembly to the mount plates by inserting the pull pins through the appropriate holes in the mount plates, as shown above, and the T-brace. Insert cotter pins in holes in the ends of the pull pins. Assembled 1104 shown below.

****Note: Log table must be removed for transportation.****

