



# POWERHORSE<sup>®</sup>

## Telescoping Pressure Washer Wand 12'

Owner's Manual



**WARNING:** Read carefully and understand all ASSEMBLY AND OPERATION INSTRUCTIONS before operating. Failure to follow the safety rules and other basic safety precautions may result in serious personal injury.

Item #56486

**READ & SAVE THESE INSTRUCTIONS**

Thank you very much for choosing a Powerhorse™ product!

For future reference, please complete the owner's record below:

Serial Number/Lot Date Code: \_\_\_\_\_

Purchase Date: \_\_\_\_\_

Save the receipt, warranty, and this manual. It is important that you read the entire manual to become familiar with this product before you begin using it.

This wand is designed for certain applications only. Northern Tool and Equipment is not responsible for issues arising from modification or improper use of this product such as an application for which it was not designed. We strongly recommend that this product not be modified and/or used for any application other than that for which it was designed.

For technical questions, please call **1-800-222-5381**.

**Table of Contents**

**Intended Use.....4**

**Packaging Contents.....4**

**Technical Specifications .....4**

**Important Safety Information .....4**

**Specific Operation Warnings .....6**

**Main Parts of Wand .....6**

**Assembly Instructions.....7**

**Before Each Use.....7**

**Operating Instructions.....8**

**After Each Use.....8**

**Maintenance .....9**

**Troubleshooting.....9**

**Parts Diagram.....9**

**Parts List.....10**

**Gun Parts List.....10**

**Replacement Parts .....10**

**Limited Warranty .....11**

## Intended Use

The Powerhorse Telescoping Pressure Wash Wand is a heavy-duty, screw extension clamping system that positions the extension pole at the desired length for cleaning. The high-flow spray gun allows for low pressure chemical applications and is firmly secured to the exterior fiberglass pole. The gun inlet is 3/8" NPT-F and also provides a 1/4" Q/C male plug X M22 male screw-type brass fitting. The nozzle holder accepts standard quick couple spray nozzles (nozzles not included).

## Packaging Contents

One 12' telescoping wand complete with assembled gun.

## Technical Specifications

Property	Specification
Volume	10.5 GPM
Pressure	4,000 PSI
Fluid Temperature	195° F
Shipping Weight	9.2 lbs.
Dimensions	6.1 x 7' 1/2"
Outlet	1/4" QC

## Important Safety Information

### **⚠️WARNING**

- Read and understand all instructions. Failure to follow all instructions may result in serious injury or property damage.
- The warnings, cautions, and instructions in this manual cannot cover all possible conditions or situations that could occur. Exercise common sense and caution when using this tool. Always be aware of the environment and ensure that the tool is used in a safe and responsible manner.
- Do not allow persons to operate or assemble the product until they have read this manual and have developed a thorough understanding of how it works.
- Do not modify this product in any way. Unauthorized modification may impair the function and/or safety and could affect the life of the product. There are specific applications for which the product was designed.
- Use the right tool for the job. DO NOT attempt to force small equipment to do the work of larger industrial equipment. There are certain applications for which this equipment was designed. This product will be safer and do a better job at the capacity for which it was intended. DO NOT use this equipment for a purpose for which it was not intended.
- Industrial or commercial applications must follow OSHA requirements.

### **⚠️WARNING**

### **WORK AREA SAFETY**

- Inspect the work area before each use. Keep work area clean, dry, free of clutter, and well-lit. Cluttered, wet, or dark work areas can result in injury. Using the product in confined work areas may put you dangerously close to cutting tools and rotating parts.
- Do not use the wand where there is a risk of causing a fire or an explosion; e.g., in the presence of flammable liquids, gases, or dust. The product can create sparks, which may ignite the flammable liquids, gases, or dust.
- Do not allow the product to come into contact with an electrical source. The tool is not insulated and contact will cause electrical shock.
- Keep children and bystanders away from the work area while operating the tool. Do not allow children to handle the product.
- Be aware of all power lines, electrical circuits, water pipes, and other mechanical hazards in your work area. Some of these hazards may be hidden from your view and may cause personal injury and/or property damage if contacted.

### **⚠WARNING**

#### **PERSONAL SAFETY**

- Stay alert, watch what you are doing, and use common sense when operating the tool. Do not use the tool while you are tired or under the influence of drugs, alcohol, or medication. A moment of inattention while operating the tool may result in serious personal injury.
- Dress properly. Do not wear loose clothing, dangling objects, or jewelry. Keep your hair, clothing and gloves away from moving parts. Loose clothes, jewelry, or long hair can be caught in moving parts. Air vents on the tool often cover moving parts and should be avoided.
- Wear the proper personal protective equipment when necessary. Use ANSI Z87.1 compliant safety goggles (not safety glasses) with side shields, or when needed, a face shield. Use a dust mask in dusty work conditions. Also use non-skid safety shoes, hardhat, gloves, dust collection systems, and hearing protection when appropriate. This applies to all persons in the work area.
- Do not overreach. Keep proper footing and balance at all times.
- Remove keys or wrenches before connecting the tool to an air supply, power supply, or turning on the tool. A wrench or key that is left attached to a rotating part of the tool may cause personal injury.
- Secure the work with clamps or a vise instead of your hand when practical. This safety precaution allows for proper tool operation using both hands.

### **⚠CAUTION**

#### **WAND USE AND CARE**

- Do not force the wand. Products are safer and do a better job when used in the manner for which they are designed. Plan your work, and use the correct product for the job.
- Check for damaged parts before each use. Carefully check that the product will operate properly

and perform its intended function. Replace damaged or worn parts immediately. Never operate the product with a damaged part.

- Do not use a product with a malfunctioning switch. Any power tool that cannot be controlled with the power switch is dangerous and must be repaired by an authorized service representative before using.
- Disconnect the power/air supply from the product and place the switch in the locked or off position before making any adjustments, changing accessories, or storing the tool. Such preventive safety measures reduce the risk of starting the tool accidentally.
- Store the product when it is not in use. Store it in a dry, secure place out of the reach of children. Inspect the tool for good working condition prior to storage and before re-use.
- Use only accessories that are recommended by the manufacturer for use with your product. Accessories that may be suitable for one product may create a risk of injury when used with another tool. Never use an accessory that has a lower operating speed or operating pressure than the tool itself.
- Keep guards in place and in working order. Never operate the product without the guards in place.
- Do not leave the tool running unattended.

## Specific Operation Warnings

### **⚠WARNING**

- To prevent serious injury or property damage, read and understand owner's manual before operating.
- Never use near power lines.
- Never extend or retract the wand while spraying or while under pressure. Stop the equipment and relieve pressure before making any adjustments to the wand.
- Never change nozzles or accessories while under pressure. Stop the equipment and relieve pressure before making any changes.
- Never use while on ladders or scaffolding.
- Never use with unapproved accessories.
- Never exceed rated pressure or volume.
- Do not point nozzle at persons or animals.
- Never remove or alter warning labels or identification tags.
- Never use wand if damaged. Replace damaged parts before resuming operation.
- Always make certain area is clear of obstructions or hazards.
- Always maintain proper balance and control of extension wand.

## Main Parts of Wand

### Subassembly

Pole assembly, complete with trigger gun

## Subassembly

M22 fitting

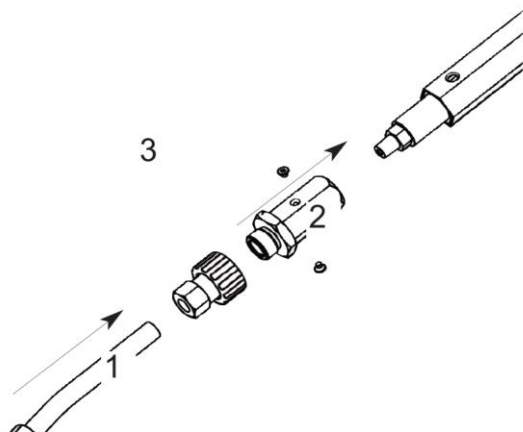
## Assembly Instructions

To protect the coupler and lance during shipping, these parts are shipped strapped to the extension pole. All wands require final assembly.

### To Complete the Assembly

**NOTE:** Be sure to use thread sealant on fitting threads.

1. Using a thread sealant, connect the hose to the brass adapter.
2. Remove the two screws from the brass adapter and slide the brass adapter into the aluminum wand. Be sure the angle of the lance bends away from the location of the gun on the wand.
3. Tighten the two screws into the brass adapter. The wand is now ready to be used.



## Before Each Use

### ⚠WARNING

- Do NOT bypass, disable, or remove the trigger gun.
- DO NOT use pliers, pipe wrenches, etc., to tighten as it will cause the collet to seize to the threaded plastic housing. HAND-TIGHTEN ONLY!

Read, understand, and follow ALL safety guidelines and operation instructions prior to use.

### To Use the Wand

Connect the outlet of your pressure washer to the inlet port of the trigger gun of the wand using appropriate quick couplers or fittings rated to handle high pressure.

The wand may be used fully retracted or fully extended, or any point in between. Caution must be used when the wand is extended as the reaction force of the nozzle spraying will cause the wand to flex. Make absolutely certain that there are no power lines or sources of electrical power within 10 feet of the lance at any time.

## Operating Instructions

### ⚠WARNING

- Never use near power lines.
- Never extend or retract the wand while spraying or while under pressure. Stop the equipment and relieve pressure before making any adjustments to the wand.
- Never change nozzles or accessories while under pressure. Stop the equipment and relieve pressure before making any changes.
- Never use while on ladders or scaffolding.
- Never exceed rated pressure or volume.
- Do not point nozzle at persons or animals.

#### To Extend the Wand

Loosen the lock rings and pull the wand out to the desired length. Re-tighten the lock rings to hold the wand at the desired length.

#### To Retract the Wand

Loosen the lock rings and slide the extension segment into the wand until the desired length is reached. Re-tighten the lock rings to hold the extension segments in place.

#### To Begin Spraying

Start the pressure washer. Raise the wand and keep the nozzle at least ten feet away from the surface to be cleaned. Squeeze the trigger to begin spraying, maintain stable footing, and move the wand in to the surface to be cleaned.

### ⚠CAUTION

Except in cases of emergency, do not release the trigger near any surfaces.

#### To Stop Spraying

Before releasing the trigger gun, move the nozzle at least ten feet away from the surface being cleaned and make sure you have solid footing. The wand will rebound when the trigger is released or if pressure is lost. When you are clear of the work surface and in a safe area, release the trigger.

### ⚠CAUTION

USE EXTREME CAUTION when working on or near fragile surfaces as there may be enough force to damage surfaces or break windows. Keep clear of power lines.

## After Each Use

### ⚠WARNING

- Point the nozzle in a safe direction and relieve pressure before disconnecting gun from pump hose.

Clear the wand of water, fully retract, and store in dry place.

## Maintenance

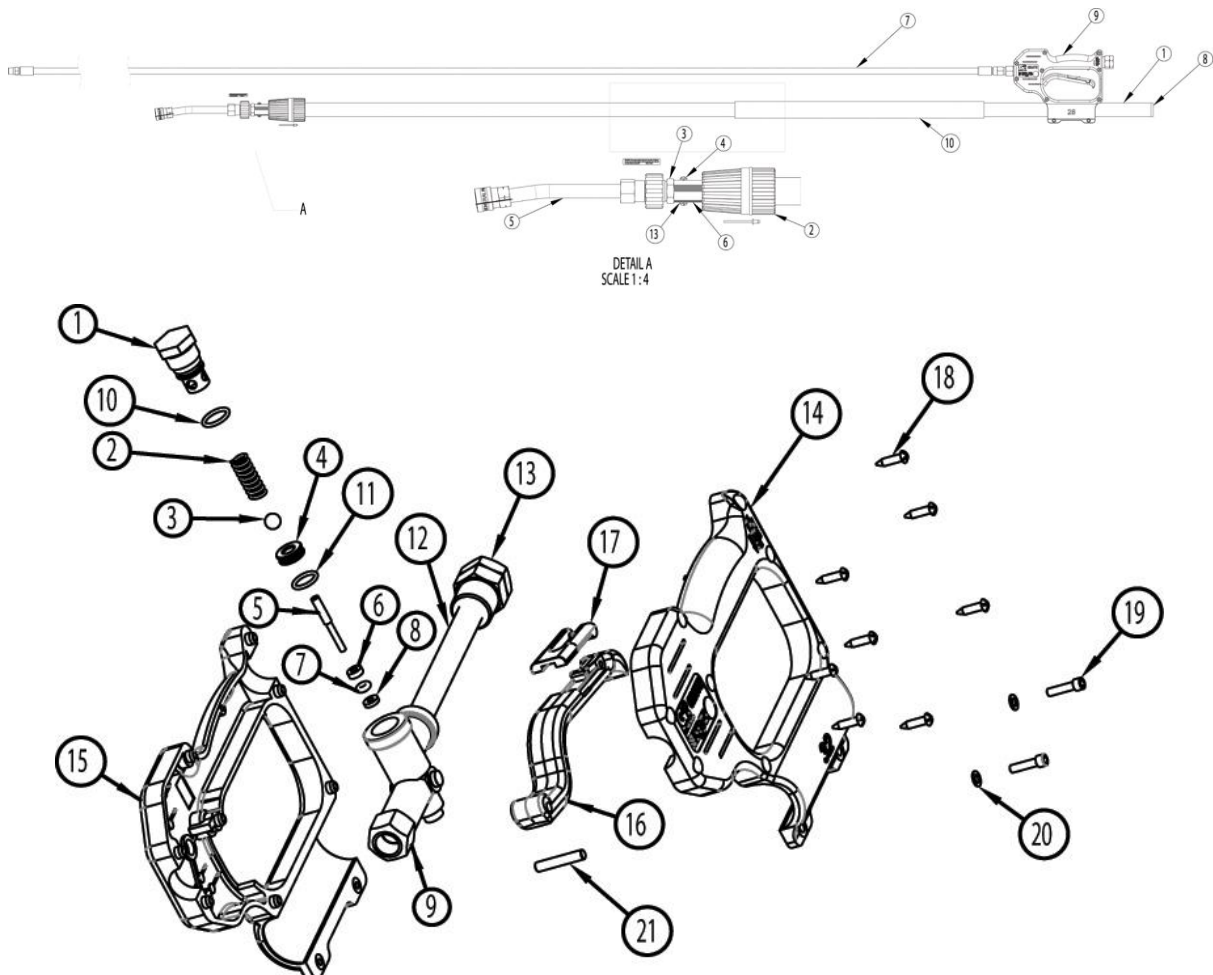
### ⚠WARNING

- Point the nozzle in a safe direction and relieve pressure performing any maintenance on gun or wand.

## Troubleshooting

Failure	Possible Cause	Corrective Action
The hose leaks.	The hose is loose at the fittings.	Tighten the hose.
	There is over-pressurization.	Replace the hose.
The gun leaks.	This is normal wear and tear.	Rebuild the gun.
	There is over-pressurization.	Replace the gun.

## Parts Diagram



## Parts List

Reference	Part Number	Part Description	Quantity
1	2640038	POLE, 12'	1
2	2660009	NUT, 26MM	1
3	2510116	ADAPTER, M22	1
4	2200004	SCREW, M4	2
5	2100205	ASSY, LANCE	1
6	2103033	ASSY, TUBE, 12'	1
7	2103323	ASSY, HOSE, 12'	1
8	2660008	GROMMET	1
9	DG4000TS12	ASSY, GUN, 18'	1
10	2702013	GUARD, FOAM	1
11	D11009	PLUG,3/8X3/8NPT-M	1
12	D10023	FITTING	1
13	2203506	WASHER, LOCK	2

## Gun Parts List

Reference	Part Number	Part Description	Quantity
1	2510005	PLUG, GUN	1
2	2720001	SPRING	1
3	2520004	BALL	1
4	2520003	SEAT, GUN	1
5	2520002	PIN, GUN	1
6	2510004	WASHER, BRASS	1
7	2701048	O-RING	1
8	2660007	WASHER, TEFLON	1
9	2452001	FORGING, GUN	1
10	2701050	O-RING	1
11	2701049	O-RING	1
12	2520001	TUBE, INLET, GUN	1
13	2510003	FITTING, INLET, GUN	1
14	2660190	HOUSING, GUN, LEFT, 12'	1
15	2660002	HOUSING, GUN, RIGHT, 12'	1
16	2660004	TRIGGER, GUN	1
17	2660005	STOP, TRIGGER, GUN	1
18	2200002	SCREW	8
19	2200001	SHCS, M4 X 16	2
20	2203407	WASHER	2
21	2512002	PIN, TRIGGER	1

## Replacement Parts

- For replacement parts and technical questions, please call Customer Service at **1-800-222-5381**.
- Not all product components are available for replacement. The illustrations provided are a convenient reference to the location and position of parts in the assembly sequence.
- When ordering parts, the following information will be required: item description, item model number, item serial number/item lot date code, and the replacement part reference number.
- The distributor reserves the rights to make design changes and improvements to product lines and manuals without notice.

## Limited Warranty

Northern Tool and Equipment Company, Inc. ("We" or "Us") warrants to the original purchaser only ("You" or "Your") that the Powerhorse product purchased will be free from material defects in both materials and workmanship, normal wear and tear excepted, for a period of one year from date of purchase. The foregoing warranty is valid only if the installation and use of the product is strictly in accordance with product instructions. There are no other warranties, express or implied, including the warranty of merchantability or fitness for a particular purpose. If the product does not comply with this limited warranty, Your sole and exclusive remedy is that We will, at our sole option and within a commercially reasonable time, either replace the product or product component without charge to You or refund the purchase price (less shipping). This limited warranty is not transferable.

### Limitations on the Warranty

This limited warranty does not cover: (a) normal wear and tear; (b) damage through abuse, neglect, misuse, or as a result of any accident or in any other manner; (c) damage from misapplication, overloading, or improper installation; (d) improper maintenance and repair; and (e) product alteration in any manner by anyone other than Us, with the sole exception of alterations made pursuant to product instructions and in a workmanlike manner.

### Obligations of Purchaser

You must retain Your product purchase receipt to verify date of purchase and that You are the original purchaser. To make a warranty claim, contact Us at 1-800-222-5381, identify the product by make and model number, and follow the claim instructions that will be provided. The product and the purchase receipt must be provided to Us in order to process Your warranty claim. Any returned product that is replaced or refunded by Us becomes our property. You will be responsible for return shipping costs or costs related to Your return visit to a retail store.

### Remedy Limits

Product replacement or a refund of the purchase price is Your sole remedy under this limited warranty or any other warranty related to the product. We shall not be liable for: service or labor charges or damage to Your property incurred in removing or replacing the product; any damages, including, without limitation, damages to tangible personal property or personal injury, related to Your improper use, installation, or maintenance of the product or product component; or any indirect, incidental or consequential damages of any kind for any reason.

### Assumption of Risk

You acknowledge and agree that any use of the product for any purpose other than the specified use(s) stated in the product instructions is at Your own risk.

### Governing Law

This limited warranty gives You specific legal rights, and You also may have other rights which vary from state to state. Some states do not allow limitations or exclusions on implied warranties or incidental or consequential damages, so the above limitations may not apply to You. This limited warranty is governed by the laws of the State of Minnesota, without regard to rules pertaining to conflicts of law. The state courts located in Dakota County, Minnesota shall have exclusive jurisdiction for any disputes relating to this warranty.



**POWERHORSE<sup>®</sup>**

Distributed by:

Northern Tool & Equipment Company, Inc.

Burnsville, Minnesota 55306

[www.northerntool.com](http://www.northerntool.com)

Made in China